

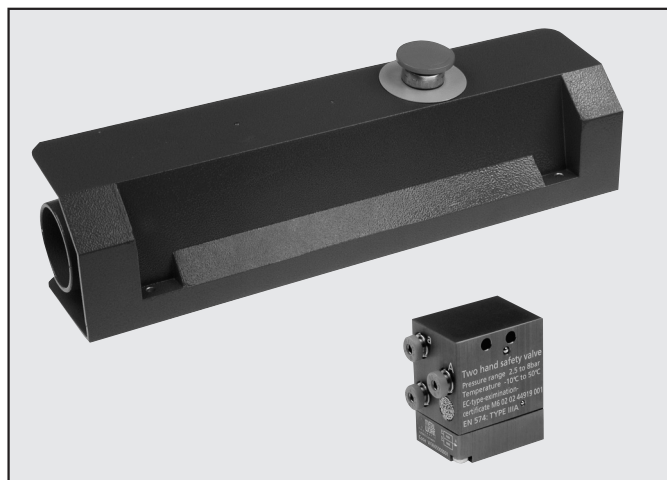


TWO HAND SAFETY VALVE

The two hand safety valve generates an output signal only if two synchronised pneumatic input signals are received. If one input signal is interrupted, the output signal is interrupted as well.

The most common application involves connecting a manual button-controlled valve to each of the inputs and using the output signal as a start-of-cycle control for a pneumatically-operated machine.

- The two hand safety valve can be secured with through screws or a DIN bar adaptor.
- The complete pushbutton panel includes the dual manual control valve, two manual pushbuttons, and an emergency stop valve, all housed in a metal box to be mounted on a wall or stand.
- The pushbutton housing is supplied on request for anyone wishing to get a personalised pneumatic connection or drill holes to secure the unit.

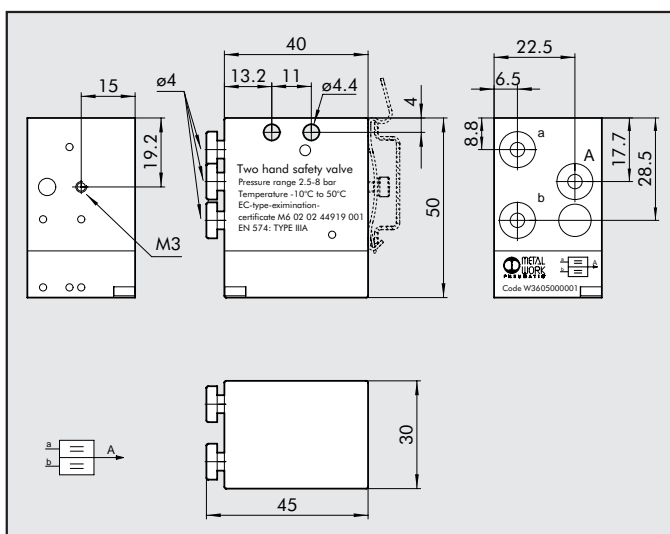


2

TECHNICAL DATA

| | | |
|---|--------|---|
| Compressed air couplings | mm | Push-in fitting for Ø4 pipe |
| Fluid | | Filtered, unlubricated compressed air, max 50m |
| Version | | Single-control – Complete pushbutton panel |
| Standard | | EN574 type IIIA, TUV approved, Certified M6020244919001 |
| Synchronisation, max. time between two signals | sec | 0.4 |
| De-activation time, with pipe L=max 1000 mm | sec | <0.05 |
| Actuation | | pneumatic |
| Reset | | spring operated |
| Operating pressure | bar | 2.5 ÷ 8 |
| Temperature range | °C | -10 ÷ +60 |
| Nominal diameter | mm | 2.7 |
| Flow rate at 6 bar (0.6 MPa – 87 psi) DP 1 bar (0.1 MPa-1.45 psi) | Nl/min | 85 |
| Mounting position | | in any direction |
| Compatibility with oils | | please refer to page 6.1/08 |

TWO HAND SAFETY VALVE

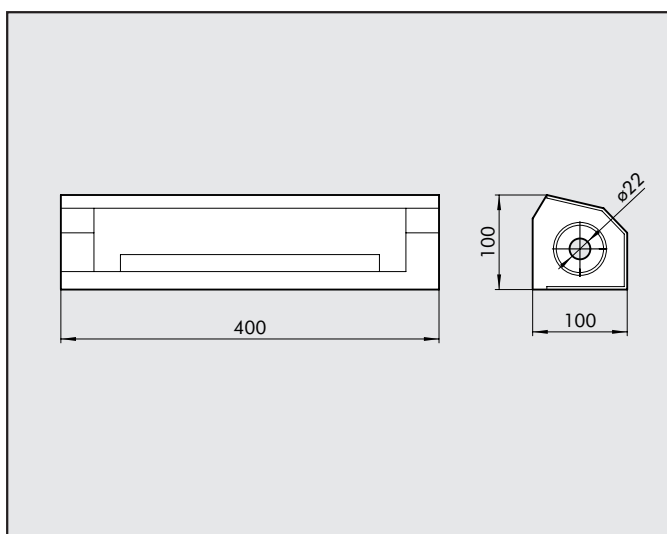


| Code | Description |
|------------|-----------------------|
| W360500001 | Two hand safety valve |

Materials

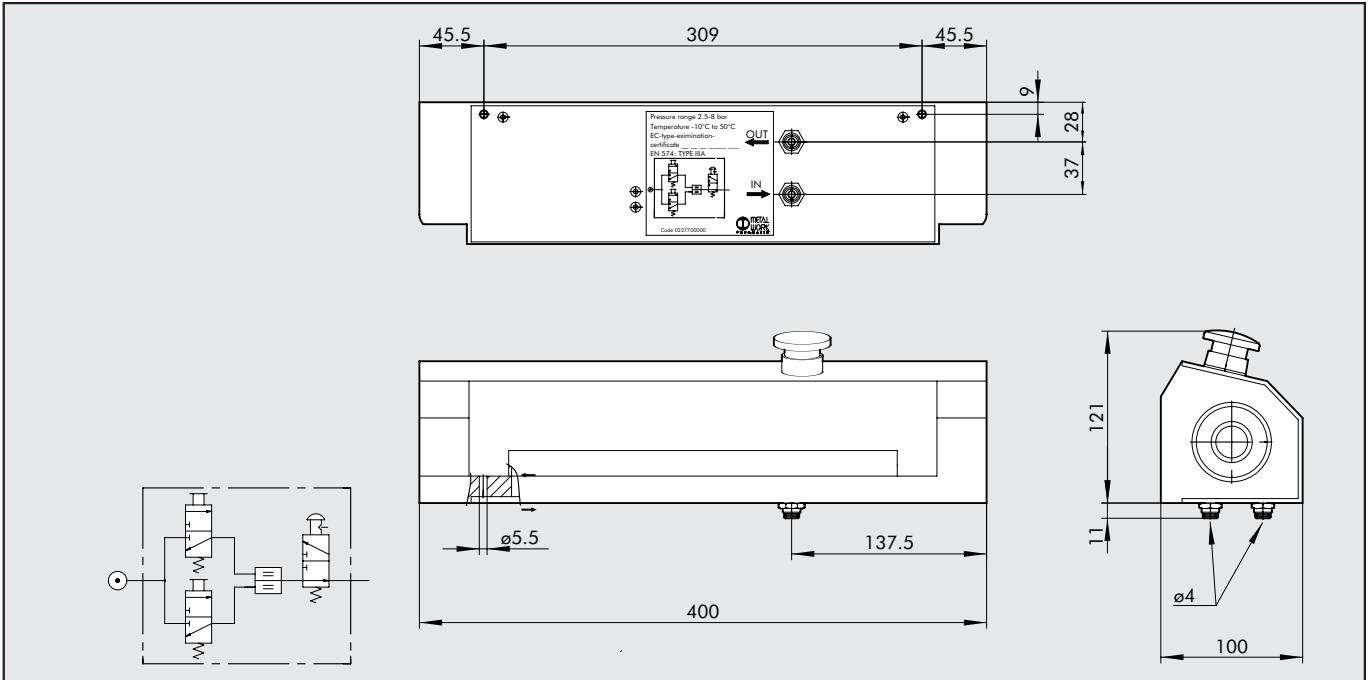
Body: anodised aluminium
 Internal parts: brass and technopolymer
 Gaskets: NBR
 Spring: alloy steel

PUSHBUTTON HOUSING



| Code | Description |
|-------------|--------------------|
| W3120000212 | Pushbutton housing |

COMPLETE PUSHBUTTON PANEL



ORDERING CODES

| Code | Description |
|------------|---------------------------|
| 0227700000 | Complete pushbutton panel |

Materials

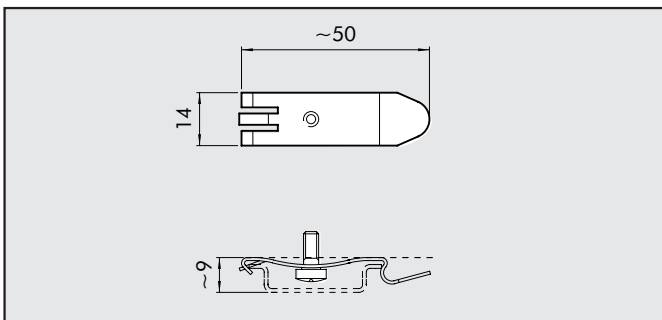
Pressure die-cast and painted aluminium alloy

MAIN COMPONENTS

| Code | Description | Quantity |
|-------------|--|----------|
| W3605000001 | Dual manual safety valve | 1 |
| W0351000011 | Monostable protected button - black disk | 2 |
| W0351000014 | Emergency stop button | 1 |
| W3501000100 | VME1-01 NC Ø4 | 2 |
| W3501001100 | VME2-01 NO Ø4 | 1 |
| 0351000050 | Valve-button connecting base | 3 |
| 2L11001 | RL10 Ø4 | 2 |

ACCESSORIES

CONNECTION BRACKETS ON THE BAR



| Code | Description |
|------------|--------------------------------|
| 0227300600 | CONNECTION BRACKETS ON DIN BAR |

Individually packed

NOTES