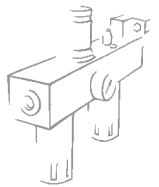


bit PADLOCKABLE MICROREGULATOR



The Bit microregulator uses a rolling diaphragm system that ensures:

- stability of the pressure setting when the upstream pressure changes.
- high flow rate with reduced drops in pressure
- rapid relief of overpressures.

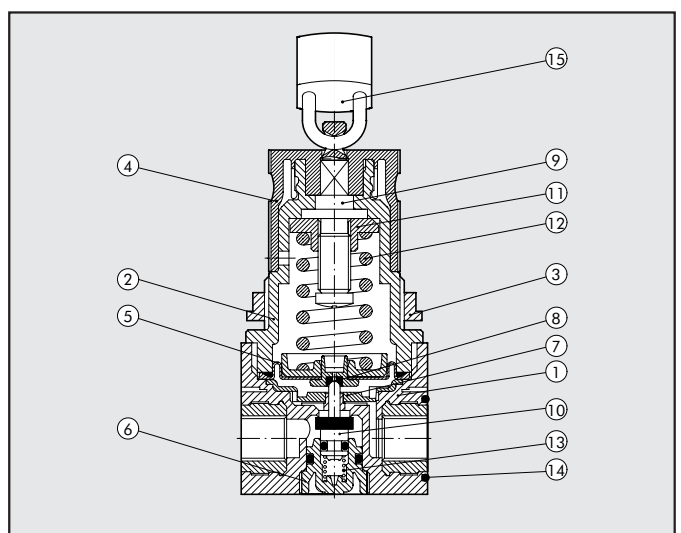
The padlockable microregulator has a pin with a hole in it that projects from the top of the knob. When the knob is in the push-lock position, the padlock can be inserted in the hole, preventing the knob from being operated. A padlock and two keys are supplied with the regulator.



| TECHNICAL DATA | MR BIT KEY 1/8" | | MR BIT KEY 1/4" | |
|--|-----------------|---|-----------------|------|
| | | 1/8" | | 1/4" |
| Threaded port | | 1/8" | | 1/4" |
| Setting range | Bar | 0 to 2 - 0 to 4 - 0 to 8 - 0 to 12 | | |
| Max. inlet pressure | MPa | | 1.3 | |
| | bar | | 13 | |
| | psi | | 188 | |
| Flow rate at 6.3 bar (0.63 MPa-91 psi) ΔP 0.5 bar (0.05 MPa - 7 psi) | | 340 NI/min = 12 scfm | | |
| Flow rate at 6.3 bar (0.63 MPa-91 psi) ΔP 1 bar (0.1 MPa - 14 psi) | | 600 NI/min = 21 scfm | | |
| Fluid | | Filtered, lubricated or unlubricated compressed air. Lubrication, if used, must be continuous | | |
| Max temperature at 1 Mpa; 10 bar; 145 psi | °C | 50 | | |
| | °F | 122 | | |
| Weight | gr | 80 | | |
| Wall fixing screws | | M 4 | | |
| Mounting | | In any position | | |
| Gauge port | | G 1/8" | | |
| Notes: | | The regulator pressure must always be set upwards. For increased sensitivity, use a pressure regulator with a rated pressure as close as possible to the required value. | | |

COMPONENTS

- ① Technopolymer body with OT58 threaded elements
- ② Technopolymer bell
- ③ Technopolymer fixing ring nut
- ④ Technopolymer knob
- ⑤ Rolling diaphragm
- ⑥ Technopolymer plug
- ⑦ Technopolymer anti-vibration screen
- ⑧ NBR relieving gasket
- ⑨ Nickel-plated brass OT58 adjusting screws
- ⑩ OT58 valve with NBR vulcanized gasket
- ⑪ OT58 brass nut
- ⑫ Steel adjusting spring
- ⑬ Stainless steel valve compression spring
- ⑭ NBR gaskets
- ⑮ Padlock



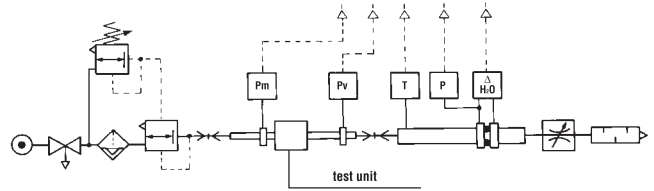
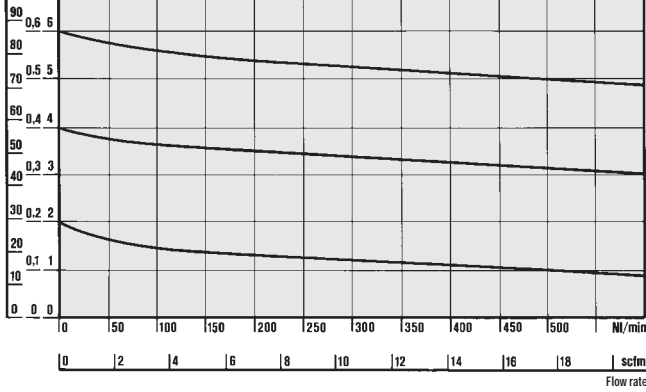
FLOW CHARTS

MR

$P_m = 0,7 \text{ MPa}$; 7 bar; 102 psi
Inlet pressure

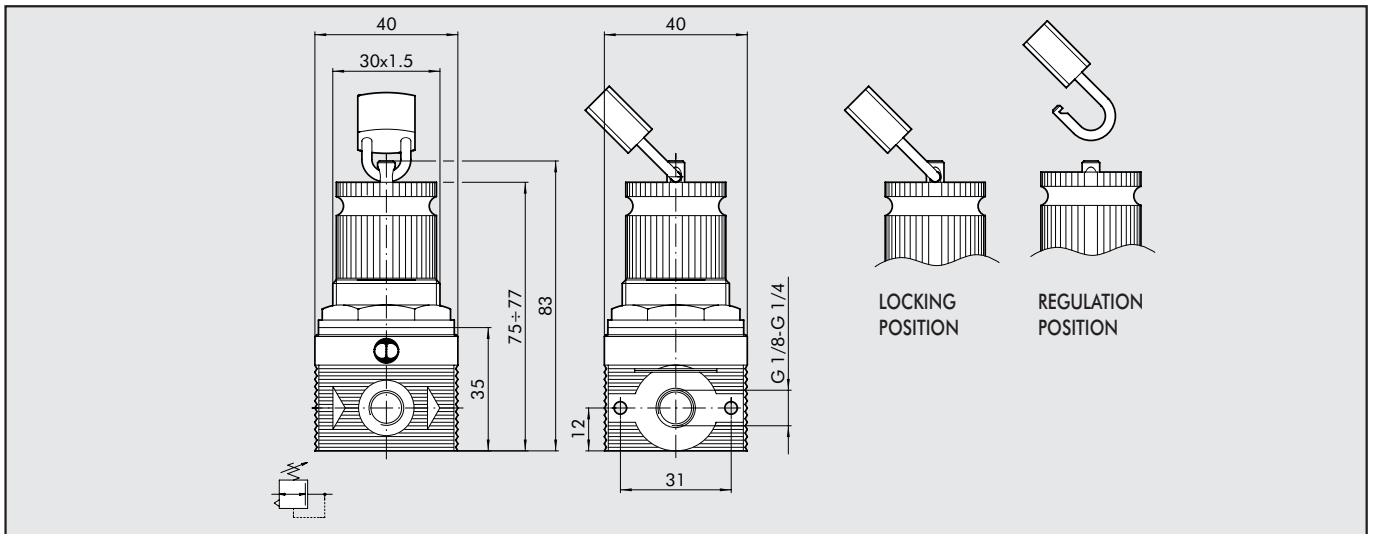
psi MPa bar

100 0,7 7



- Flow tests carried out at the Department of Mechanics, Turin Polytechnic, using the computerized test bench following CETOP RP50R recommendations (ISO DIS 6358-2-approved) with ISO 5167 diaphragm gauge.

DIMENSIONS

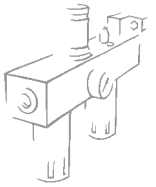


KEY TO CODES

| MR ELEMENT | BIT SIZE | KEY TYPE | 1/8 THREADED PORT | 02 SETTING RANGE |
|------------|----------|-------------|-------------------|--|
| MR | BIT | PADLOCKABLE | 1/8 1/4 | 02 = 0÷2 bar 04 = 0÷4 bar 08 = 0÷8 bar 012 = 0÷12 bar |

ORDERING CODES

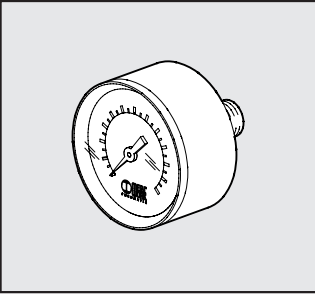
| Code | Description |
|---------|--------------------|
| 5110001 | MR BIT KEY 1/8 02 |
| 5110002 | MR BIT KEY 1/8 04 |
| 5110003 | MR BIT KEY 1/8 08 |
| 5110004 | MR BIT KEY 1/8 012 |
| 5210001 | MR BIT KEY 1/4 02 |
| 5210002 | MR BIT KEY 1/4 04 |
| 5210003 | MR BIT KEY 1/4 08 |
| 5210004 | MR BIT KEY 1/4 012 |



bit ACCESSORIES

PRESSURE GAUGE

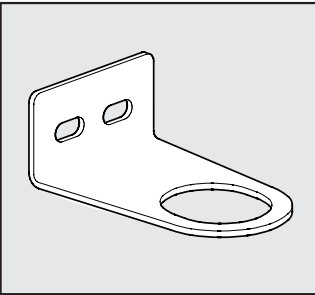
Code Description



9700102 ACC.M 40 1/8 04
9700101 ACC.M 40 1/8 12

R/FR FIXING BRACKET

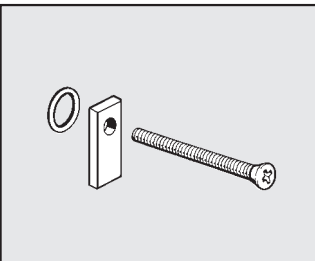
Code Description



9200701 ACC. SF100 - BIT - ND 1/4

ASSEMBLY PLATE (PAIR)

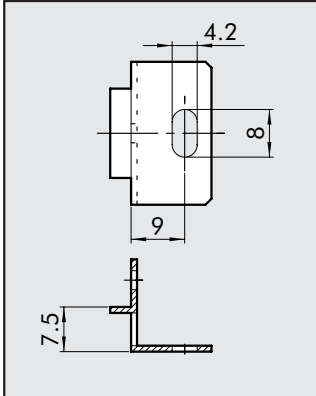
Code Description



9170201 ACC PA 1/8 - 1/4 BIT

WALL MOUNTING BRACKET (PAIR)

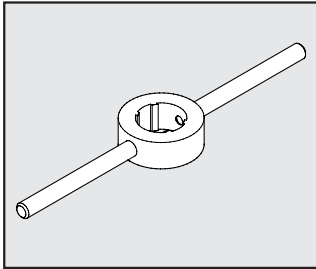
Code Description



9170301 ACC SF 1/8 - 1/4 BIT

COVER DISASSEMBLY SPANNER

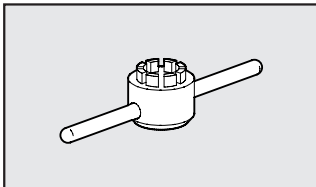
Code Description



9170401 ACC CS CS BIT

REDUCER PLUG DISASSEMBLY SPANNER

Code Description

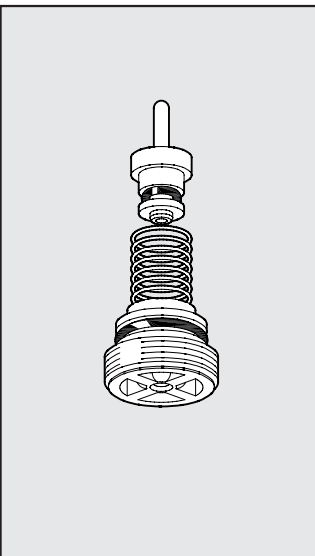


9170501 ACC CS OTR BIT

bit SPARE PARTS

COMPLETE POPPET FOR MR

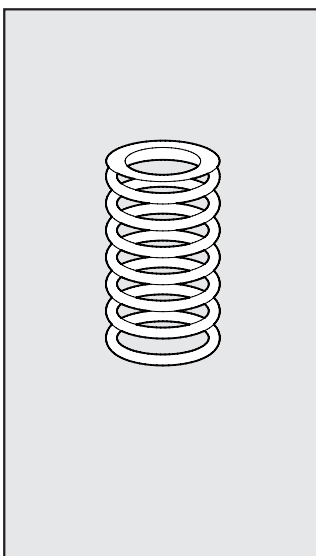
Code Description



9250705 SPARES POPPET FOR MR

SPRING FOR MR

Code Description



9250610 SPARES MO 02 BIT
9250611 SPARES MO 04 BIT
9250612 SPARES MO 08 BIT
9250613 SPARES MO 012 BIT