

Skilltronic is an electronically-controlled pressure regulator equipped with an 8-bit microcontroller. The control signal can be analogic, digital via RS232 or digital from the keyboard. It is converted into a proportional pressure signal by means of solenoid valves. The regulator can be used alone within the indicated flow values, or in combination with a Skillair 300 or 400 pilot-operated pressure regulator (power stage).

The advantages are:

- Integration with analogic or digital control systems (PC, PLC, etc.).
- Extremely fast response times.
- Excellent repeatability and reliability.
- Low power absorption.

Skilltronic è disponibile in due versioni base:

Version A, with analogic control via voltage or RS232 serial line.

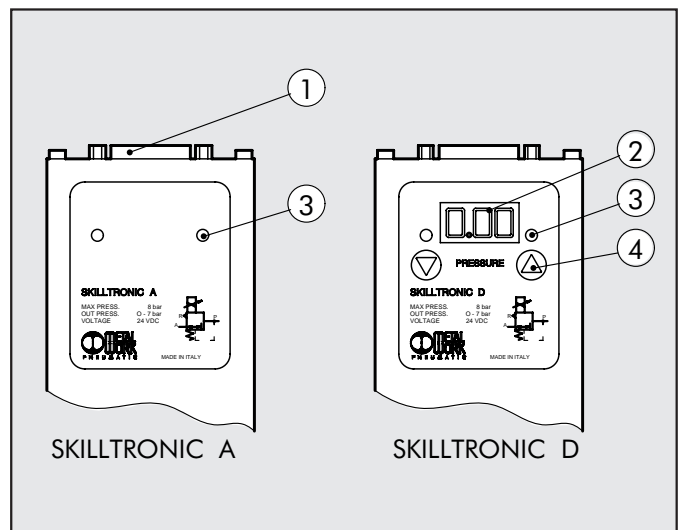
Version D, with control via RS232 serial line or keyboard with display of the set and regulated pressures.

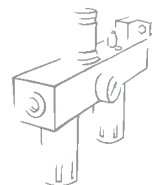


TECHNICAL DATA		SKILLTRONIC A and D	SKILLTRONIC 300 A and 300 D	SKILLTRONIC 400 A and 400 D
Setting range	MPa		0.03 - 0.7	
	bar		0.3 - 7	
	psi		4 - 100	
Control pressure	MPa		0.1 - 0.8	
	bar		1 - 8	
	psi		15 - 115	
Temperature range	°C		-10°C to +50°C	
	°F		14 - 122	
Degree of protection		IP 60	IP 65	IP 65
Weight	Kg	0.4	1.9	5.6
Fluid		20 µm filtered air, de-humidified and unlubricated.		
Supply voltage		24 V DC		
Max. absorbed power	W	2		
Control		0-5V / 0-10V / RS 232		
Flow rate at 6.3 bar ΔP 0.5 bar	Nl/min	60	4500	18000
Reaction time	ms	< 5	-	-
Response time - rise time*	ms	60	-	-
Response time - fall time**	ms	100	-	-
* Volume 30 cm ³ Pal= 8bar, from 2 to 4 bar				
** Volume 30 cm ³ Pal= 8bar, from 4 to 2 bar				

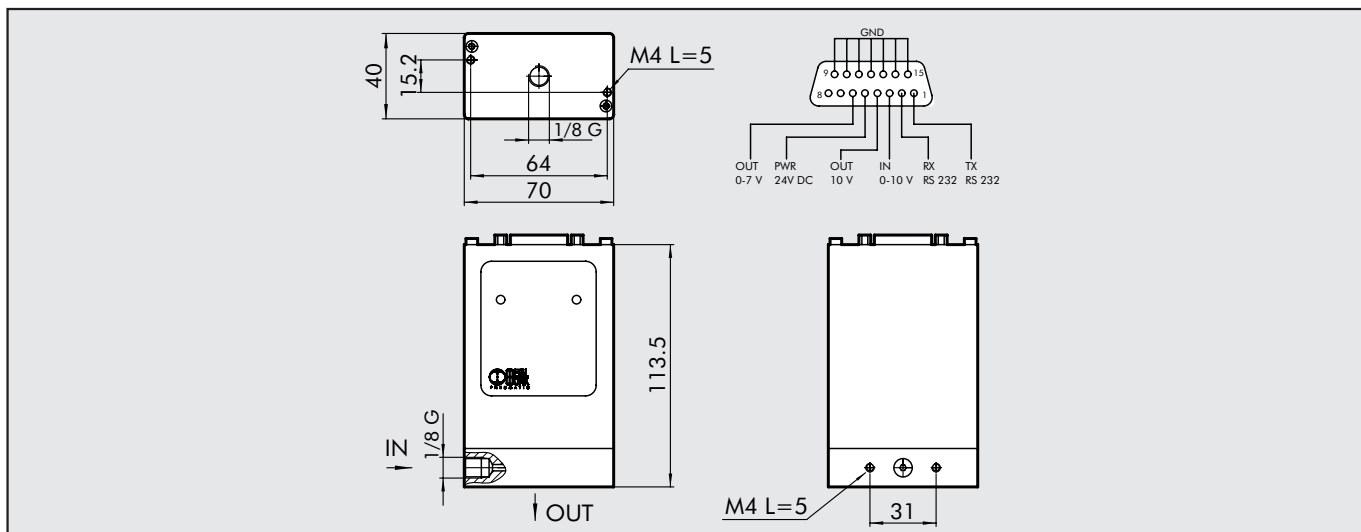
COMPONENTS

- ① Connection for power supply and serial line
- ② 3-digit digital display
- ③ Led
- ④ Instrument configuration and pressure setting keys

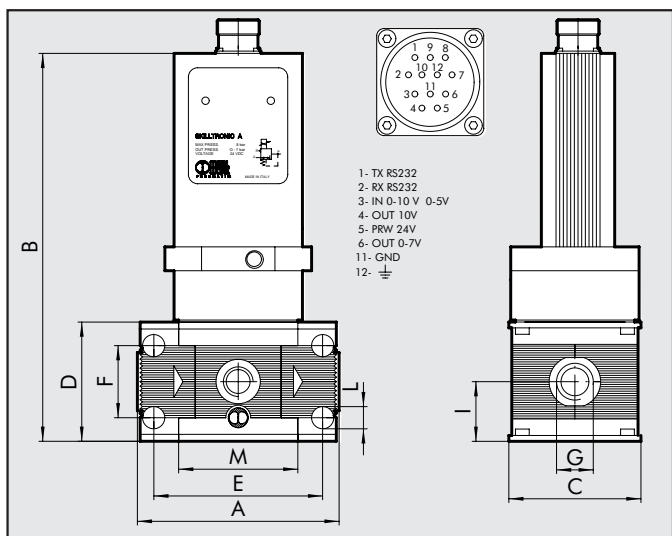




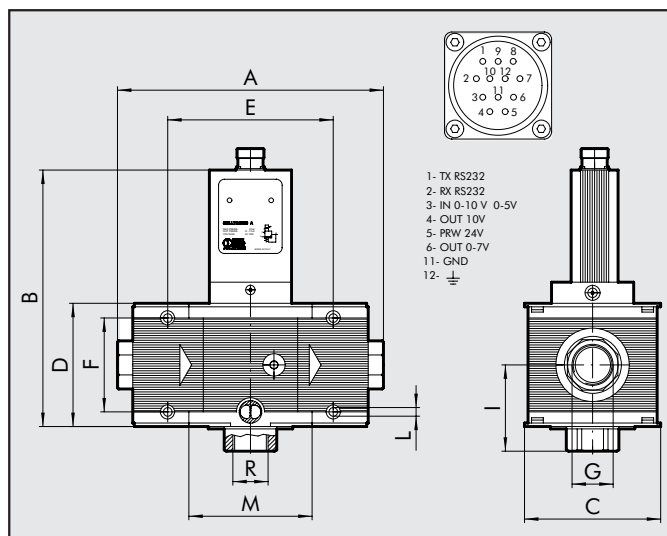
SKILLTRONIC A/D



SKILLTRONIC 300 A/D



SKILLTRONIC 400 A/D



DIMENSIONS

Threaded port	SKILLTRONIC 300			SKILLTRONIC 400			
	G1/2"	G3/4"	G1"	G1"	G1"1/4"	G1"1/2"	G2
A	110	110	112		225÷255		283÷313
B		227				234	
C		72				116	
D		65				105	
E		92				141.4	
F		42				80	
G	G1/2"	G3/4"	G1"	G1"	G1"1/4"	G1"1/2"	G2
I		32.5				74.5	
L		M5 hole				M6 hole	
M		65				105.4	

FEMALE CONNECTOR

Code	Description
W0214100200	IP60 90°-angle technopolymer connector, not shielded
W0214100000	IP60 straight metal connector, shielded

The above items are available in the pre-wired version on request.

ORDERING CODES

Code	Description
W0214000000	SKILLTRONIC A
W0214000100	SKILLTRONIC D
4403010	SKILLTRONIC 300 1/2" A
4503010	SKILLTRONIC 300 3/4" A
4603010	SKILLTRONIC 300 1" A
4403011	SKILLTRONIC 300 1/2" D
4503011	SKILLTRONIC 300 3/4" D
4603011	SKILLTRONIC 300 1" D
6102010	SKILLTRONIC 400 1" A
6202010	SKILLTRONIC 400 1" 1/4 A
6302010	SKILLTRONIC 400 1" 1/2 A
6402010	SKILLTRONIC 400 2" A
6102011	SKILLTRONIC 400 1" D
6202011	SKILLTRONIC 400 1" 1/4 D
6302011	SKILLTRONIC 400 1" 1/2 D
6402011	SKILLTRONIC 400 2" D