

S31 Series



- 1/8" NPT
- Brass Body
- 3-Way Direct Acting
- Normally Closed



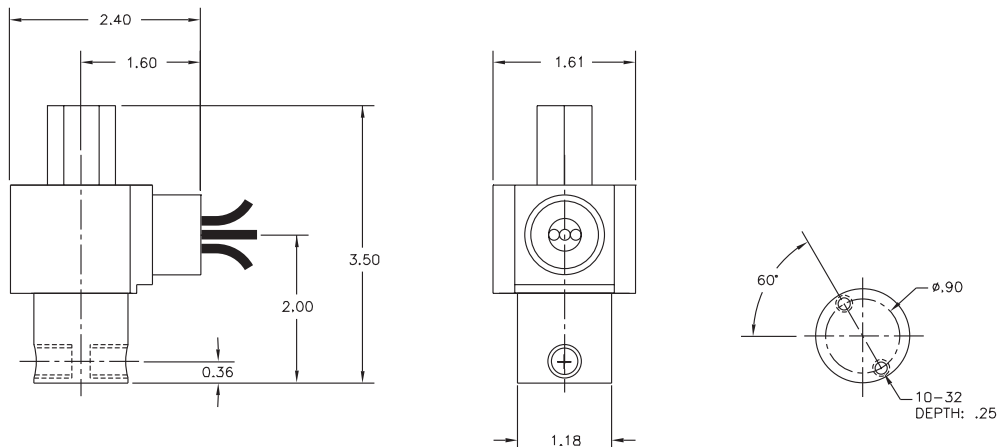
Materials	Seals:	Nitrile, Viton®, Ethylene Propylene or Teflon®
	Orifices: Top Main	Stainless Steel Stainless Steel
Electrical	Standard Housing:	Encapsulated Waterproof Conduit (NEMA 4/4X)
	Optional Housings:	Metallic Conduit, Explosion-proof (NEMA 7), Grommet, Open Frame, Junction Box (single or dual knockouts), DIN; Contact GC Valves Customer Service for others.
	Standard Voltages:	24, 120, 240 AC 60 Hz; 50 Hz available 6, 12, 24 DC; Contact GC Valves Customer Service for Additional Voltages.
	Voltage Tolerance:	±10% of applicable voltage
	Coil Classes:	F, H, N
	Standard Lead Length:	24 inch
Operating Temperature	Ambient (Nominal):	32° to 125°F
Mounting	Position	Any
Approvals*	Agency	UL Listed, UL Recognized, CSA Approved

* Not available for all variations

© Registered Trademark of DuPont Co.

Dimensions/Weight

Weight (lbs.)
1.0



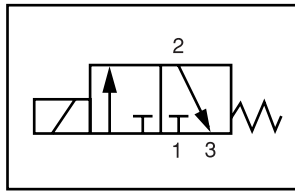
GC Valves Customer Service: 800-828-0484 (7:30am to 4pm ET) or 800-582-4232 (7:30am to 4pm PT)



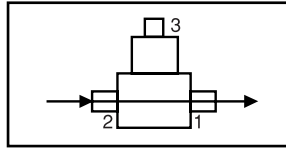
S313 – 1/8" NPT, Brass Body, Normally Closed

Valve Selection List

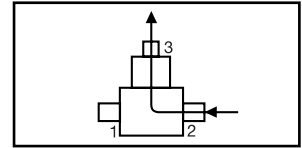
Normally Closed



Energized



De-Energized



Pipe Size NPT	Orifice Size IN		C _v		Operating Pressure Differential (psi)						Max Fluid Temp. °F	Seal Material	Power Consumption (Watts)		Model Code (120V/60HZ — 110V/50HZ Shown)
	Main	Top	Main	Top	Maximum								AC	DC	
					Air/Gas		Water		Light Oil						
					AC	DC	AC	DC	AC	DC					
1/8	3/64	1/16	.05	.10	170	170	170	170	—	—	295	EPR	8	9	S313GF02C8AV3
	1/16	1/16	.08	.10	120	120	120	120	—	—	295	EPR	8	9	S313GF02C8AC5
	3/32	3/32	.20	.20	65	65	65	65	—	—	295	EPR	8	9	S313GF02C8AC9
	1/8	3/32	.27	.20	40	40	40	40	—	—	295	EPR	8	9	S313GF02C8AV3
	5/32	3/32	.41	.20	25	25	25	25	—	—	295	EPR	8	9	S313GF02C8AV7
1/8	3/64	1/16	.05	.10	170	170	170	170	170	170	180	Nitrile	8	9	S313GF02N8AV1
	1/16	1/16	.08	.10	120	120	120	120	120	120	180	Nitrile	8	9	S313GF02N8AC5
	3/32	3/32	.20	.20	65	65	65	65	65	65	180	Nitrile	8	9	S313GF02N8AC9
	1/8	3/32	.27	.20	40	40	40	40	40	40	180	Nitrile	8	9	S313GF02N8AV3
	5/32	3/32	.41	.20	25	25	25	25	25	25	180	Nitrile	8	9	S313GF02N8AV7
1/8	3/64	1/16	.05	.10	170	170	170	170	170	170	230	Viton	8	9	S313GF02V8AV1
	1/16	1/16	.08	.10	120	120	120	120	120	120	230	Viton	8	9	S313GF02V8AC5
	3/32	3/32	.20	.20	65	65	65	65	65	65	230	Viton	8	9	S313GF02V8AC9
	1/8	3/32	.27	.20	40	40	40	40	40	40	230	Viton	8	9	S313GF02V8AV3
	5/32	3/32	.41	.20	25	25	25	25	25	25	230	Viton	8	9	S313GF02V8AV7
1/8	3/64	1/16	.05	.10	170	170	170	170	170	170	366*	Teflon	8	9	S313GF02T8AV1
	1/16	1/16	.08	.10	120	120	120	120	120	120	366*	Teflon	8	9	S313GF02T8AC5
	3/32	3/32	.20	.20	65	65	65	65	65	65	366*	Teflon	8	9	S313GF02T8AC9
	1/8	3/32	.27	.20	40	40	40	40	40	40	366*	Teflon	8	9	S313GF02T8AV3
	5/32	3/32	.41	.20	25	25	25	25	25	25	366*	Teflon	8	9	S313GF02T8AV7

* Class H Coil Recommended for High Temperature Applications

GC Valves Customer Service: 800-828-0484 (7:30am to 4pm ET) or 800-582-4232 (7:30am to 4pm PT)

S313 – 1/8" NPT, Brass Body, Normally Closed



Part Numbering

1	2	3	4	5	6	7	8	9	10	11	12	13
S	3	1	3	G	F	0	2	C	8	A	V	1
Series			Operating Mode	Housing*	Coil Class*	Voltage*		Seal Material	Body Material	Pipe Connection	Orifice Size (Main x Top)	
S31			3: Normally Closed	G: Conduit	F: Class F	02: 120/60 110/50		C: EPR N: Nitrile V: Viton T: Teflon	8: Brass	A: 1/8" NPT	V1: 3/64" x 1/16" C5: 1/16" x 1/16" C9: 3/32" x 3/32" V3: 1/8" x 3/32" V7: 5/32" x 3/32"	
* See the "Engineering Guide" for additional voltages, variations and options.												

Coil Data

Coil Family	
Type	Size
All	S3

Frequency (Hz)	60	50
Nominal Power (VA)	Inrush	36
	Holding	16

S31 Series



- 1/8" NPT
- Brass Body
- 3-Way Direct Acting
- Normally Closed
- Free Exhaust

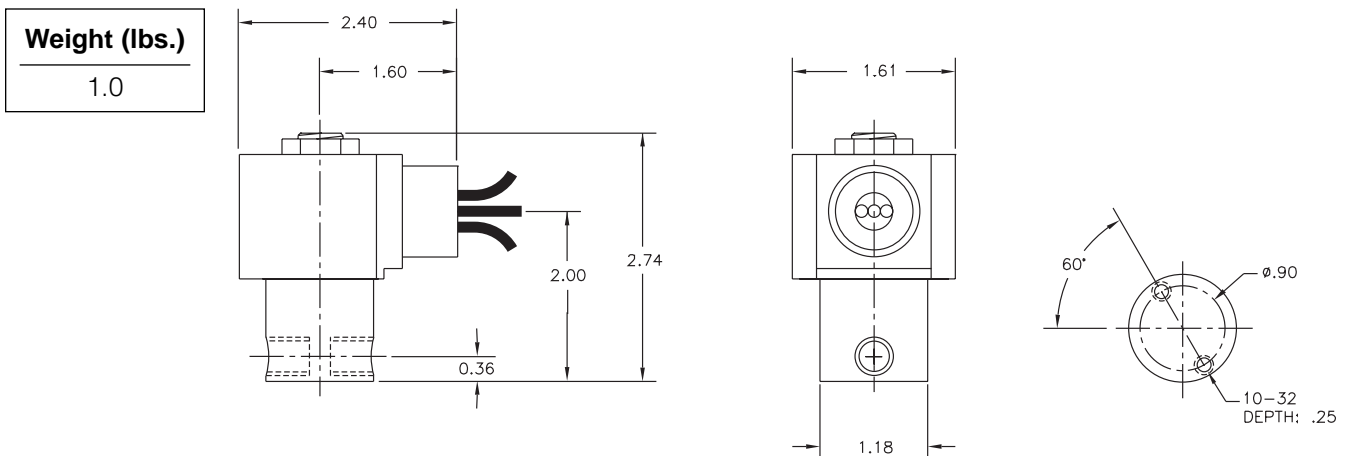


Materials	Seals:	Nitrile, Viton®, Ethylene Propylene or Teflon®
	Orifices: Top Main	Stainless Steel Stainless Steel
Electrical	Standard Housing:	Encapsulated Waterproof Conduit (NEMA 4/4X)
	Optional Housings:	Metallic Conduit, Explosion-proof (NEMA 7), Grommet, Open Frame, Junction Box (single or dual knockouts), DIN; Contact GC Valves Customer Service for others.
	Standard Voltages:	24, 120, 240 AC 60 Hz; 50 Hz available 6, 12, 24 DC; Contact GC Valves Customer Service for Additional Voltages.
	Voltage Tolerance:	±10% of applicable voltage
	Coil Classes:	F, H, N
	Standard Lead Length:	24 inch
Operating Temperature	Ambient (Nominal):	32°F to 125°F
Mounting	Position	Any
Approvals*	Agency	UL Listed, UL Recognized, CSA Approved

* Not available for all variations.

© Registered Trademark of DuPont Co.

Dimensions/Weight



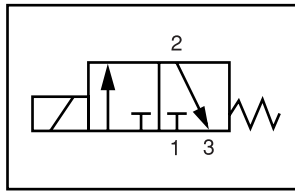
GC Valves Customer Service: 800-828-0484 (7:30am to 4pm ET) or 800-582-4232 (7:30am to 4pm PT)



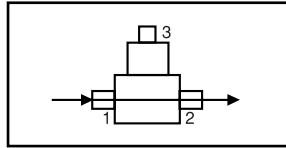
S317 – 1/8" NPT, Brass Body, Normally Closed, Free Exhaust

Valve Selection List

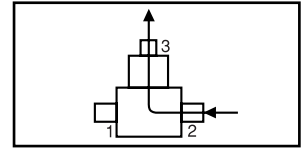
Normally Closed



Energized



De-Energized



Pipe Size NPT	Orifice Size IN		C _v		Operating Pressure Differential (psi)						Max Fluid Temp. °F	Seal Material	Power Consumption (Watts)		Model Code (120V/60HZ — 110V/50HZ) Shown
	Main	Top	Main	Top	Maximum								AC	DC	
					Air/Gas		Water		Light Oil						
	AC	DC	AC	DC	AC	DC	AC	DC	AC	DC			Brass Body		
1/8	3/64	1/16	.05	.10	170	170	170	170	—	—	295	EPR	8	9	S317GF02C8AV1
	1/16	1/16	.08	.10	120	120	120	120	—	—	295	EPR	8	9	S317GF02C8AC5
	3/32	3/32	.20	.20	65	65	65	65	—	—	295	EPR	8	9	S317GF02C8AC9
	1/8	3/32	.27	.20	40	40	40	40	—	—	295	EPR	8	9	S317GF02C8AV3
	5/32	3/32	.41	.20	25	25	25	25	—	—	295	EPR	8	9	S317GF02C8AV7
1/8	3/64	1/16	.05	.10	170	170	170	170	170	170	180	Nitrile	8	9	S317GF02N8AV1
	1/16	1/16	.08	.10	120	120	120	120	120	120	180	Nitrile	8	9	S317GF02N8AC5
	3/32	3/32	.20	.20	65	65	65	65	65	65	180	Nitrile	8	9	S317GF02N8AC9
	1/8	3/32	.27	.20	40	40	40	40	40	40	180	Nitrile	8	9	S317GF02N8AV3
	5/32	3/32	.41	.20	25	25	25	25	25	25	180	Nitrile	8	9	S317GF02N8AV7
1/8	3/64	1/16	.05	.10	170	170	170	170	170	170	230	Viton	8	9	S317GF02V8AV1
	1/16	1/16	.08	.10	120	120	120	120	120	120	230	Viton	8	9	S317GF02V8AC5
	3/32	3/32	.20	.20	65	65	65	65	65	65	230	Viton	8	9	S317GF02V8AC9
	1/8	3/32	.27	.20	40	40	40	40	40	40	230	Viton	8	9	S317GF02V8AV3
	5/32	3/32	.41	.20	25	25	25	25	25	25	230	Viton	8	9	S317GF02V8AV7
1/8	3/64	1/16	.05	.10	170	170	170	170	170	170	366*	Teflon	8	9	S317GF02T8AV1
	1/16	1/16	.08	.10	120	120	120	120	120	120	366*	Teflon	8	9	S317GF02T8AC5
	3/32	3/32	.20	.20	65	65	65	65	65	65	366*	Teflon	8	9	S317GF02T8AC9
	1/8	3/32	.27	.20	40	40	40	40	40	40	366*	Teflon	8	9	S317GF02T8AV3
	5/32	3/32	.41	.20	25	25	25	25	25	25	366*	Teflon	8	9	S317GF02T8AV7

* Class H Coil Recommended for High Temperature Applications

GC Valves Customer Service: 800-828-0484 (7:30am to 4pm ET) or 800-582-4232 (7:30am to 4pm PT)

S317 – 1/8" NPT, Brass Body, Normally Closed, Free Exhaust



Part Numbering

1	2	3	4	5	6	7	8	9	10	11	12	13
S	3	1	7	G	F	0	2	C	8	A	V	1
Series			Operating Mode	Housing*	Coil Class*	Voltage*		Seal Material	Body Material	Pipe Connection	Orifice Size (Main x Top)	
S31			7: Normally Closed (Free Exhaust)	G: Conduit	F: Class F	02: 120/60 110/50		C: EPR N: Nitrile V: Viton T: Teflon	8: Brass	A: 1/8" NPT	V1: 3/64" x 1/16" C5: 1/16" x 1/16" C9: 3/32" x 3/32" V3: 1/8" x 3/32" V7: 5/32" x 3/32"	
* See the "Engineering Guide" for additional voltages, variations and options.												

Coil Data

Coil Family	
Type	Size
All	S3

Frequency (Hz)	60	50
Nominal Power (VA)	Inrush	36
	Holding	16

- 1/8" NPT
- Brass Body
- 3-Way Direct Acting
- Normally Closed



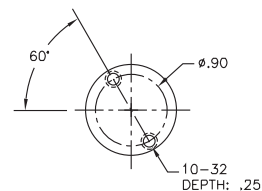
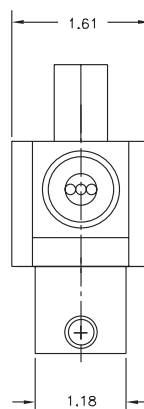
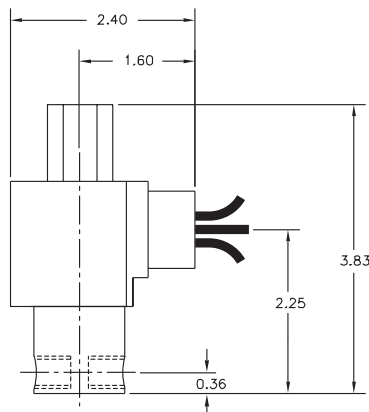
Materials	Seals	Nitrile, Viton®, Ethylene Propylene or Teflon®
	Orifice Top Main	Stainless Steel Stainless Steel
Electrical	Standard Housing:	Encapsulated Waterproof Conduit (NEMA 4/4X)
	Optional Housings:	Metallic Conduit, Explosion-proof (NEMA 7), Grommet, Open Frame, Junction Box (single or dual knockouts), DIN; Contact GC Valves Customer Service for others.
	Standard Voltages:	24, 120, 240 AC 60 Hz; 50 Hz available 6, 12, 24 DC; Contact GC Valves Customer Service for Additional Voltages.
	Voltage Tolerance:	±10% of applicable voltage
	Coil Classes:	F, H, N
	Standard Lead Length:	24 inch
Operating Temperature	Ambient (Nominal):	32° to 125°F
Mounting	Position	Any
Approvals*	Agency	UL Listed, UL Recognized, CSA Approved

* Not available for all variations

© Registered Trademark of DuPont Co.

Dimensions/Weight

Weight (lbs.)
1.0



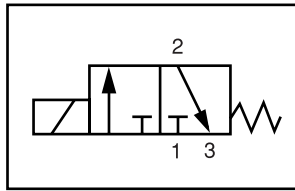
GC Valves Customer Service: 800-828-0484 (7:30am to 4pm ET) or 800-582-4232 (7:30am to 4pm PT)



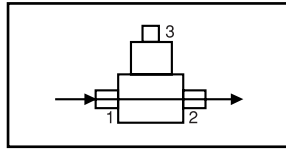
S303 – 1/8" NPT, Brass Body, Normally Closed

Valve Selection List

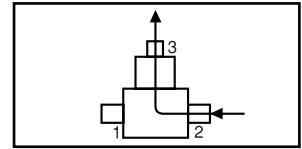
Normally Closed



Energized



De-Energized



Pipe Size NPT	Orifice Size IN		C _v		Operating Pressure Differential (psi)						Max Fluid Temp. °F	Seal Material	Power Consumption (Watts)		Model Code (120V/60HZ — 110V/50HZ Shown)
	Main	Top	Main	Top	Air/Gas		Water		Light Oil				AC	DC	
					AC	DC	AC	DC	AC	DC					
1/8	3/64	1/16	.05	.10	220	220	220	200	—	—	295	EPR	10	10	S303GF02C8AV1
	1/16	1/16	.08	.10	150	150	150	150	—	—	295	EPR	10	10	S303GF02C8AC5
	3/32	3/32	.18	.23	100	100	100	100	—	—	295	EPR	10	10	S303GF02C8AC9
	1/8	3/32	.30	.23	75	75	75	75	—	—	295	EPR	10	10	S303GF02C8AV3
	5/32	3/32	.41	.23	50	50	50	50	—	—	295	EPR	10	10	S303GF02C8AV7
	3/16	3/32	.53	.23	30	30	30	30	—	—	295	EPR	10	10	S303GF02C8AV9
	1/4	3/32	.83	.23	15	15	15	15	—	—	295	EPR	10	10	S303GF02C8AW1
1/8	3/64	1/16	.05	.10	220	220	220	220	220	220	180	Nitrile	10	10	S303GF02N8AV1
	1/16	1/16	.08	.10	150	150	150	150	150	150	180	Nitrile	10	10	S303GF02N8AC5
	3/32	3/32	.18	.23	100	100	100	100	100	100	180	Nitrile	10	10	S303GF02N8AC9
	1/8	3/32	.30	.23	75	75	75	75	75	75	180	Nitrile	10	10	S303GF02N8AV3
	5/32	3/32	.41	.23	50	50	50	50	50	50	180	Nitrile	10	10	S303GF02N8AV7
	3/16	3/32	.53	.23	30	30	30	30	30	30	180	Nitrile	10	10	S303GF02N8AV9
	1/4	3/32	.83	.23	15	15	15	15	15	15	180	Nitrile	10	10	S303GF02N8AW1
1/8	3/64	1/16	.05	.10	220	220	220	220	220	220	230	Viton	10	10	S303GF02V8AV1
	1/16	1/16	.08	.10	150	150	150	150	150	150	230	Viton	10	10	S303GF02V8AC5
	3/32	3/32	.18	.23	100	100	100	100	100	100	230	Viton	10	10	S303GF02V8AC9
	1/8	3/32	.30	.23	75	75	75	75	75	75	230	Viton	10	10	S303GF02V8AV3
	5/32	3/32	.41	.23	50	50	50	50	50	50	230	Viton	10	10	S303GF02V8AV7
	3/16	3/32	.53	.23	30	30	30	30	30	30	230	Viton	10	10	S303GF02V8AV9
	1/4	3/32	.83	.23	15	15	15	15	15	15	230	Viton	10	10	S303GF02V8AW1
1/8	3/64	1/16	.05	.10	220	220	220	220	220	220	366*	Teflon	10	10	S303GF02T8AV1
	1/16	1/16	.08	.10	150	150	150	150	150	150	366*	Teflon	10	10	S303GF02T8AC5
	3/32	3/32	.18	.23	100	100	100	100	100	100	366*	Teflon	10	10	S303GF02T8AC9
	1/8	3/32	.30	.23	75	75	75	75	75	75	366*	Teflon	10	10	S303GF02T8AV3
	5/32	3/32	.41	.23	50	50	50	50	50	50	366*	Teflon	10	10	S303GF02T8AV7
	3/16	3/32	.53	.23	30	30	30	30	30	30	366*	Teflon	10	10	S303GF02T8AV9
	1/4	3/32	.83	.23	15	15	15	15	15	15	366*	Teflon	10	10	S303GF02T8AW1

* Class H Coil Recommended for High Temperature Applications

GC Valves Customer Service: 800-828-0484 (7:30am to 4pm ET) or 800-582-4232 (7:30am to 4pm PT)

S303 – 1/8" NPT, Brass Body, Normally Closed



Part Numbering

1	2	3	4	5	6	7	8	9	10	11	12	13
S	3	0	3	G	F	0	2	C	8	A	V	1
Series			Operating Mode	Housing*	Coil Class*	Voltage*		Seal Material	Body Material	Pipe Connection	Orifice Size (Main x Top)	
S30			3: Normally Closed	G: Conduit	F: Class F	02: 120/60 110/50		C: EPR N: Nitrile V: Viton T: Teflon	8: Brass	A: 1/8" NPT	V1: 3/64" x 1/16" C5: 1/16" x 1/16" C9: 3/32" x 3/32" V3: 1/8" x 3/32" V7: 5/32" x 3/32" V9: 3/16" x 3/32" W1: 1/4" x 3/32"	
* See the "Engineering Guide" for additional voltages, variations and options.												

Coil Data

Coil Family	
Type	Size
All	S4

Frequency (Hz)	60	50
Nominal Power (VA)	Inrush	46
	Holding	20

S30 Series



- 1/8" NPT
- Brass Body
- 3-Way Direct Acting
- Normally Closed
- Free Exhaust



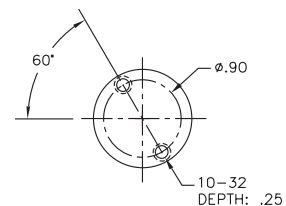
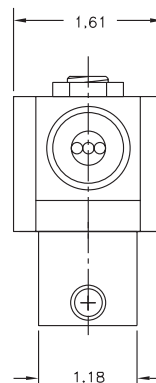
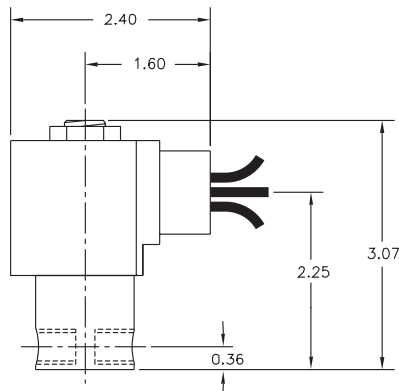
Materials	Seals:	Nitrile, Viton®, Ethylene Propylene or Teflon®
	Orifice:	Top Main Stainless Steel Stainless Steel
Electrical	Standard Housing:	Encapsulated Waterproof Conduit (NEMA 4/4X)
	Optional Housings:	Metallic Conduit, Explosion-proof (NEMA 7), Grommet, Open Frame, Junction Box (single or dual knockouts), DIN; Contact GC Valves Customer Service for others.
	Standard Voltages:	24, 120, 240 AC 60 Hz; 50 Hz available 6, 12, 24 DC; Contact GC Valves Customer Service for Additional Voltages.
	Voltage Tolerance:	±10% of applicable voltage
	Coil Classes:	F, H, N
	Standard Lead Length:	24 inch
Operating Temperature	Ambient (Nominal):	32° to 125°F
Mounting	Position	Any
Approvals*	Agency	UL Listed, UL Recognized, CSA Approved

* Not available for all variations

© Registered Trademark of DuPont Co.

Dimensions/Weight

Weight (lbs.)
1.0



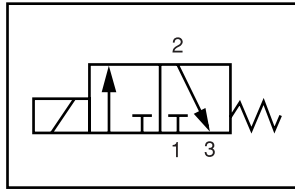
GC Valves Customer Service: 800-828-0484 (7:30am to 4pm ET) or 800-582-4232 (7:30am to 4pm PT)



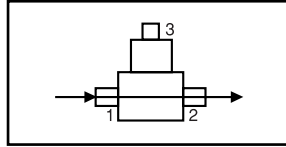
S307 – 1/8" NPT, Brass Body, Normally Closed, Free Exhaust

Valve Selection List

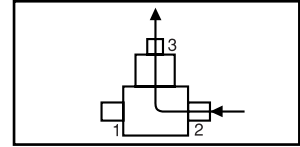
Normally Closed



Energized



De-Energized



Pipe Size NPT	Orifice Size IN		C _v		Operating Pressure Differential (psi)						Max Fluid Temp. °F	Seal Material	Power Consumption (Watts)		Model Code (120V/60HZ — 110V/50HZ) Shown
	Main	Top	Main	Top	Maximum								AC	DC	
					Air/Gas		Water		Light Oil						
	AC	DC	AC	DC	AC	DC	AC	DC	AC	DC			Brass Body		
1/8	3/64	1/16	.05	.10	220	220	220	220	—	—	295	EPR	10	10	S307GF02C8AV1
	1/16	1/16	.08	.10	150	150	150	150	—	—	295	EPR	10	10	S307GF02C8AC5
	3/32	3/32	.18	.23	100	100	100	100	—	—	295	EPR	10	10	S307GF02C8AC9
	1/8	3/32	.30	.23	75	75	75	75	—	—	295	EPR	10	10	S307GF02C8AV3
	5/32	3/32	.41	.23	50	50	50	50	—	—	295	EPR	10	10	S307GF02C8AV7
	3/16	3/32	.53	.23	30	30	30	30	—	—	295	EPR	10	10	S307GF02C8AV9
	1/4	3/32	.83	.23	15	15	15	15	—	—	295	EPR	10	10	S307GF02C8AW1
1/8	3/64	1/16	.05	.10	220	220	220	220	220	220	180	Nitrile	10	10	S307GF02N8AV1
	1/16	1/16	.08	.10	150	150	150	150	150	150	180	Nitrile	10	10	S307GF02N8AC5
	3/32	3/32	.18	.23	100	100	100	100	100	100	180	Nitrile	10	10	S307GF02N8AC9
	1/8	3/32	.30	.23	75	75	75	75	75	75	180	Nitrile	10	10	S307GF02N8AV3
	5/32	3/32	.41	.23	50	50	50	50	50	50	180	Nitrile	10	10	S307GF02N8AV7
	3/16	3/32	.53	.23	30	30	30	30	30	30	180	Nitrile	10	10	S307GF02N8AV9
	1/4	3/32	.83	.23	15	15	15	15	15	15	180	Nitrile	10	10	S307GF02N8AW1
1/8	3/64	1/16	.05	.10	220	220	220	220	220	220	230	Viton	10	10	S307GF02V8AV1
	1/16	1/16	.08	.10	150	150	150	150	150	150	230	Viton	10	10	S307GF02V8AC5
	3/32	3/32	.18	.23	100	100	100	100	100	100	230	Viton	10	10	S307GF02V8AC9
	1/8	3/32	.30	.23	75	75	75	75	75	75	230	Viton	10	10	S307GF02V8AV3
	5/32	3/32	.41	.23	50	50	50	50	50	50	230	Viton	10	10	S307GF02V8AV7
	3/16	3/32	.53	.23	30	30	30	30	30	30	230	Viton	10	10	S307GF02V8AV9
	1/4	3/32	.83	.23	15	15	15	15	15	15	230	Viton	10	10	S307GF02V8AW1
1/8	3/64	1/16	.05	.10	220	220	220	220	220	220	366*	Teflon	10	10	S307GF02T8AV1
	1/16	1/16	.08	.10	150	150	150	150	150	150	366*	Teflon	10	10	S307GF02T8AC5
	3/32	3/32	.18	.23	100	100	100	100	100	100	366*	Teflon	10	10	S307GF02T8AC9
	1/8	3/32	.30	.23	75	75	75	75	75	75	366*	Teflon	10	10	S307GF02T8AV3
	5/32	3/32	.41	.23	50	50	50	50	50	50	366*	Teflon	10	10	S307GF02T8AV7
	3/16	3/32	.53	.23	30	30	30	30	30	30	366*	Teflon	10	10	S307GF02T8AV9
	1/4	3/32	.83	.23	15	15	15	15	15	15	366*	Teflon	10	10	S307GF02T8AW1

* Class H Coil Recommended for High Temperature Applications

GC Valves Customer Service: 800-828-0484 (7:30am to 4pm ET) or 800-582-4232 (7:30am to 4pm PT)

S307 – 1/8" NPT, Brass Body, Normally Closed, Free Exhaust



Part Numbering

1	2	3	4	5	6	7	8	9	10	11	12	13
S	3	0	7	G	F	0	2	C	8	A	V	1
Series			Operating Mode	Housing*	Coil Class*	Voltage*		Seal Material	Body Material	Pipe Connection	Orifice Size (Main x Top)	
S30			7: Normally Closed (Free Exhaust)	G: Conduit	F: Class F	02: 120/60 110/50		C: EPR N: Nitrile V: Viton T: Teflon	8: Brass	A: 1/8" NPT	V1: 3/64" x 1/16" C5: 1/16" x 1/16" C9: 3/32" x 3/32" V3: 1/8" x 3/32" V7: 5/32" x 3/32" V9: 3/16" x 3/32" W1: 1/4" x 3/32"	
* See the "Engineering Guide" for additional voltages, variations and options.												

Coil Data

Coil Family	
Type	Size
All	S4

Frequency (Hz)	60	50
Nominal Power (VA)	Inrush	46
	Holding	20

- 1/8" NPT
- Brass Body
- 3-Way Direct Acting
- Normally Closed



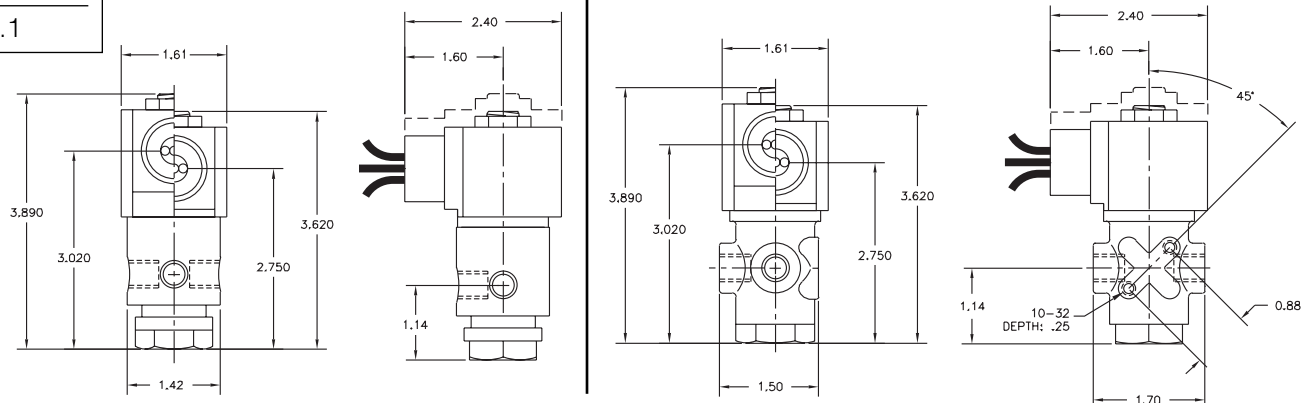
Materials	Seals:	Nitrile, Viton®, Ethylene Propylene
	Orifices:	Brass
Electrical	Standard Housing:	Encapsulated Waterproof Conduit (NEMA 4/4X)
	Optional Housings:	Metallic Conduit, Explosion-proof (NEMA 7), Grommet, Open Frame, Junction Box (single or dual knockouts), DIN; Contact GC Valves Customer Service for others.
	Standard Voltages:	24, 120, 240 AC 60 Hz; 50 Hz available 6, 12, 24 DC; Contact GC Valves Customer Service for Additional Voltages.
	Voltage Tolerance:	±10% of applicable voltage
	Coil Classes:	F, H, N
	Standard Lead Length:	24 inch
Operating Temperature	Ambient (Nominal):	32°F to 125°F
Mounting	Position	Any
Approvals*	Agency	UL Listed, UL Recognized, CSA Approved

* Not available for all variations

© Registered Trademark of DuPont Co.

Dimensions/Weight

Weight (lbs.)
1.1



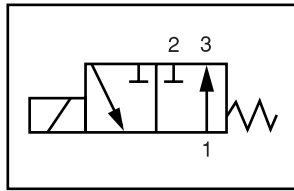
GC Valves Customer Service: 800-828-0484 (7:30am to 4pm ET) or 800-582-4232 (7:30am to 4pm PT)



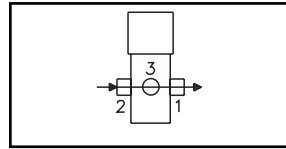
S333 – 1/8" NPT, Brass Body, Normally Closed

Valve Selection List

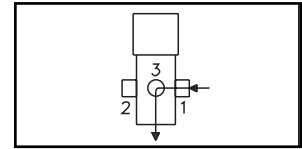
Normally Closed



Energized



De-Energized



Pipe Size NPT	Orifice Size IN	C _v	Minimum	Operating Pressure Differential (psi)						Max Fluid Temp. °F	Seal Material	Power Consumption (Watts)		Model Code (120V/60HZ — 110V/50HZ) Shown	
				Maximum								AC	DC		
				Air/Gas		Water		Light Oil							
				AC	DC	AC	DC	AC	DC			AC	DC	Brass Body	
Reduced Power	1/8	1/16	.09	0	160	100	160	100	—	—	295	EPR	8	9	S333GF02C3AC5
	3/32	.15	0	100	50	100	50	—	—	295	EPR	8	9	S333GF02C3AC9	
	1/8	.26	0	50	30	50	30	—	—	295	EPR	8	9	S333GF02C3AD5	
1/8	1/16	.09	0	200	160	200	160	—	—	295	EPR	10	10	S333GF02C4AC5	
	3/32	.15	0	150	114	150	114	—	—	295	EPR	10	10	S333GF02C4AC9	
	1/8	.31	0	84	60	84	60	—	—	295	EPR	10	10	S333GF02C4AD5	
	11/64	.38	0	45	24	45	24	—	—	295	EPR	10	10	S333GF02C4AD8	
Reduced Power	1/8	1/16	.09	0	160	100	160	100	160	100	180	Nitrile	8	9	S333GF02N3AC5
	3/32	.15	0	100	50	100	50	100	50	180	Nitrile	8	9	S333GF02N3AC9	
	1/8	.26	0	50	30	50	30	50	30	180	Nitrile	8	9	S333GF02N3AD5	
1/8	1/16	.09	0	200	160	200	160	200	160	180	Nitrile	10	10	S333GF02N4AC5	
	3/32	.15	0	150	114	150	114	150	114	180	Nitrile	10	10	S333GF02N4AC9	
	1/8	.31	0	84	60	84	60	84	60	180	Nitrile	10	10	S333GF02N4AD5	
	11/64	.38	0	45	24	45	24	45	24	180	Nitrile	10	10	S333GF02N4AD8	
Reduced Power	1/8	1/16	.09	0	160	100	160	100	160	100	230	Viton	8	9	S333GF02V3AC5
	3/32	.15	0	100	50	100	50	100	50	230	Viton	8	9	S333GF02V3AC9	
	1/8	.26	0	50	30	50	30	50	30	230	Viton	8	9	S333GF02V3AD5	
1/8	1/16	.09	0	200	160	200	160	200	160	230	Viton	10	10	S333GF02V4AC5	
	3/32	.15	0	150	114	150	114	150	114	230	Viton	10	10	S333GF02V4AC9	
	1/8	.31	0	84	60	84	60	84	60	230	Viton	10	10	S333GF02V4AD5	
	11/64	.38	0	45	24	45	24	45	24	230	Viton	10	10	S333GF02V4AD8	

* Class H Coil Recommended for High Temperature Applications

GC Valves Customer Service: 800-828-0484 (7:30am to 4pm ET) or 800-582-4232 (7:30am to 4pm PT)

S333 – 1/8" NPT, Brass Body, Normally Closed



Part Numbering

1	2	3	4	5	6	7	8	9	10	11	12	13
S	3	3	3	G	F	0	2	C	3	A	C	5
Series			Operating Mode	Housing*	Coil Class*	Voltage*		Seal Material	Body Material	Pipe Connection	Orifice Size	
S33			3: Normally Closed	G: Conduit	F: Class F	02: 120/60 110/50		C: EPR N: Nitrile V: Viton	3: Brass 4: Brass	A: 1/8" NPT	C5: 1/16" C9: 3/32" D5: 1/8" D8: 11/64"	
* See the "Engineering Guide" for additional voltages, variations and options.												

Coil Data

Coil Family	
Type	Size
(Body Code)	
3	S3
4	S4

Frequency (Hz)	60		50	
	3	4	3	4
Body				
Nominal Power (VA)				
Inrush	36	46	36	46
Holding	13	18	14	19

S31 Series



- 1/8" NPT
- Stainless Steel Body
- 3-Way Direct Acting
- Normally Closed



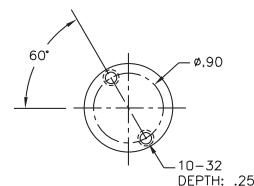
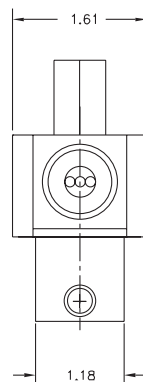
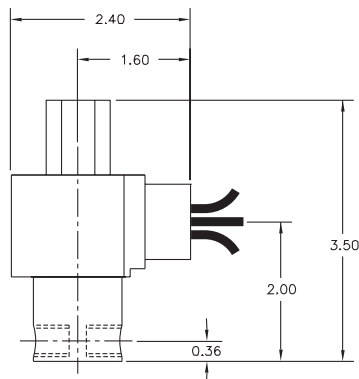
Materials	Seals:	Nitrile, Viton®, Ethylene Propylene or Teflon®
	Orifices: Top Main	Stainless Steel Stainless Steel
Electrical	Standard Housing:	Encapsulated Waterproof Conduit (NEMA 4/4X)
	Optional Housings:	Metallic Conduit, Explosion-proof (NEMA 7), Grommet, Open Frame, Junction Box (single or dual knockouts), DIN; Contact GC Valves Customer Service for others.
	Standard Voltages:	24, 120, 240 AC 60 Hz; 50 Hz available 6, 12, 24 DC; Contact GC Valves Customer Service for Additional Voltages.
	Voltage Tolerance:	±10% of applicable voltage
	Coil Classes:	F, H, N
	Standard Lead Length:	24 inch
Operating Temperature	Ambient (Nominal):	32° to 125°F
Mounting	Position	Any
Approvals*	Agency	UL Listed, UL Recognized, CSA Approved

* Not available for all variations

© Registered Trademark of DuPont Co.

Dimensions/Weight

Weight (lbs.)
1.0



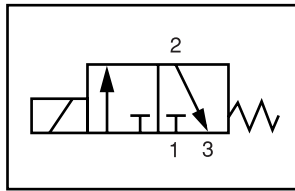
GC Valves Customer Service: 800-828-0484 (7:30am to 4pm ET) or 800-582-4232 (7:30am to 4pm PT)



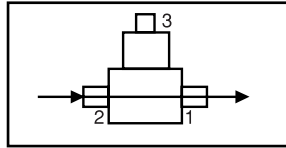
S313 – 1/8" NPT, Stainless Steel Body, Normally Closed

Valve Selection List

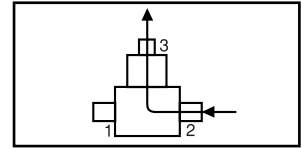
Normally Closed



Energized



De-Energized



Pipe Size NPT	Orifice Size IN		C _v		Operating Pressure Differential (psi)						Max Fluid Temp. °F	Seal Material	Power Consumption (Watts)		Model Code (120V/60HZ — 110V/50HZ) Shown
	Main	Top	Main	Top	Maximum								AC	DC	
					Air/Gas		Water		Light Oil						
	AC	DC	AC	DC	AC	DC	AC	DC	AC	DC			Stainless Steel Body		
1/8	3/64	1/16	.05	.10	170	170	170	170	—	—	295	EPR	8	9	S313GF02C2AV1
	1/16	1/16	.08	.10	120	120	120	120	—	—	295	EPR	8	9	S313GF02C2AC5
	3/32	3/32	.20	.20	65	65	65	65	—	—	295	EPR	8	9	S313GF02C2AC9
	1/8	3/32	.27	.20	40	40	40	40	—	—	295	EPR	8	9	S313GF02C2AV3
	5/32	3/32	.41	.20	25	25	25	25	—	—	295	EPR	8	9	S313GF02C2AV7
1/8	3/64	1/16	.05	.10	170	170	170	170	170	170	180	Nitrile	8	9	S313GF02N2AV1
	1/16	1/16	.08	.10	120	120	120	120	120	120	180	Nitrile	8	9	S313GF02N2AC5
	3/32	3/32	.20	.20	65	65	65	65	65	65	180	Nitrile	8	9	S313GF02N2AC9
	1/8	3/32	.27	.20	40	40	40	40	40	40	180	Nitrile	8	9	S313GF02N2AV3
	5/32	3/32	.41	.20	25	25	25	25	25	25	180	Nitrile	8	9	S313GF02N2AV7
1/8	3/64	1/16	.05	.10	170	170	170	170	170	170	230	Viton	8	9	S313GF02V2AV1
	1/16	1/16	.08	.10	120	120	120	120	120	120	230	Viton	8	9	S313GF02V2AC5
	3/32	3/32	.20	.20	65	65	65	65	65	65	230	Viton	8	9	S313GF02V2AC9
	1/8	3/32	.27	.20	40	40	40	40	40	40	230	Viton	8	9	S313GF02V2AV3
	5/32	3/32	.41	.20	25	25	25	25	25	25	230	Viton	8	9	S313GF02V2AV7
1/8	3/64	1/16	.05	.10	170	170	170	170	170	170	366*	Teflon	8	9	S313GF02T2AV1
	1/16	1/16	.08	.10	120	120	120	120	120	120	366*	Teflon	8	9	S313GF02T2AC5
	3/32	3/32	.20	.20	65	65	65	65	65	65	366*	Teflon	8	9	S313GF02T2AC9
	1/8	3/32	.27	.20	40	40	40	40	40	40	366*	Teflon	8	9	S313GF02T2AV3
	5/32	3/32	.41	.20	25	25	25	25	25	25	366*	Teflon	8	9	S313GF02T2AV7

* Class H Coil Recommended for High Temperature Applications

GC Valves Customer Service: 800-828-0484 (7:30am to 4pm ET) or 800-582-4232 (7:30am to 4pm PT)

S313 – 1/8" NPT, Stainless Steel Body, Normally Closed



Part Numbering

1	2	3	4	5	6	7	8	9	10	11	12	13
S	3	1	3	G	F	0	2	C	2	A	V	1
Series			Operating Mode	Housing*	Coil Class*	Voltage*		Seal Material	Body Material	Pipe Connection	Orifice Size (Main x Top)	
S31			3: Normally Closed	G: Conduit	F: Class F	02: 120/60 110/50		C: EPR N: Nitrile V: Viton T: Teflon	2: Stainless Steel	A: 1/8" NPT	V1: 3/64" x 1/16" C5: 1/16" x 1/16" C9: 3/32" x 3/32" V3: 1/8" x 3/32" V7: 5/32" x 3/32"	
* See the "Engineering Guide" for additional voltages, variations and options.												

Coil Data

Coil Family	
Type	Size
All	S3

Frequency (Hz)	60	50
Nominal Power (VA)	Inrush	36
	Holding	16

S31 Series



- 1/8" NPT
- Stainless Steel Body
- 3-Way Direct Acting
- Normally Closed
- Free Exhaust



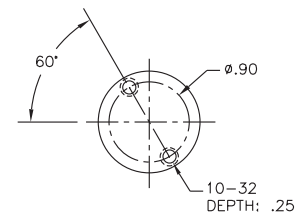
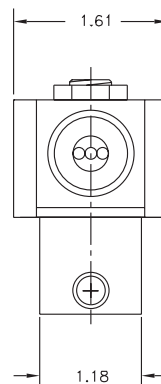
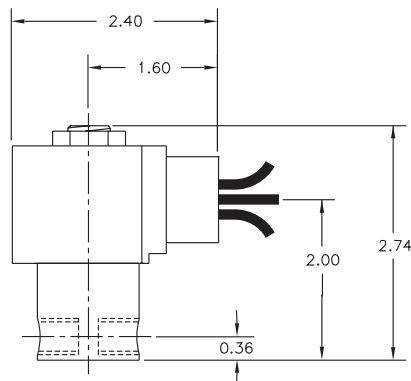
Materials	Seals:	Nitrile, Viton®, Ethylene Propylene or Teflon®
	Orifices: Pilot Main	Stainless Steel Stainless Steel
Electrical	Standard Housing:	Encapsulated Waterproof Conduit (NEMA 4/4X)
	Optional Housings:	Metallic Conduit, Explosion-proof (NEMA 7), Grommet, Open Frame, Junction Box (single or dual knockouts), DIN; Contact GC Valves Customer Service for others.
	Standard Voltages:	24, 120, 240 AC 60 Hz; 50 Hz available 6, 12, 24 DC; Contact GC Valves Customer Service for Additional Voltages.
	Voltage Tolerance:	±10% of applicable voltage
	Coil Classes:	F, H, N
	Standard Lead Length:	24 inch
Operating Temperature	Ambient (Nominal):	32°F to 125°F
Mounting	Position	Any
Approvals	Agency	UL Listed, UL Recognized, CSA Approved

* Not available for all variations

© Registered Trademark of DuPont Co.

Dimensions/Weight

Weight (lbs.)
1.0



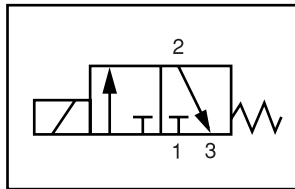
GC Valves Customer Service: 800-828-0484 (7:30am to 4pm ET) or 800-582-4232 (7:30am to 4pm PT)



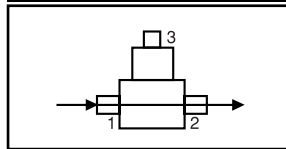
S317 – 1/8" NPT, Stainless Steel Body, Normally Closed, Free Exhaust

Valve Selection List

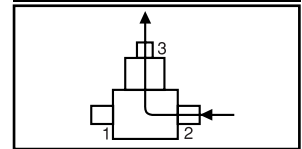
Normally Closed



Energized



De-Energized



Pipe Size NPT	Orifice Size IN		C _v		Operating Pressure Differential (psi)						Max Fluid Temp. °F	Seal Material	Power Consumption (Watts)		Model Code (120V/60HZ — 110V/50HZ) Shown		
	Main	Top	Main	Top	Maximum		AC	DC	AC	DC			AC	DC		AC	DC
					Air/Gas	Water											
	Stainless Steel Body																
1/8	3/64	3/64	.05	.05	170	170	170	170	—	—	295	EPR	8	9	S317GF02C2AC3		
	1/64	1/16	.05	.08	120	120	120	120	—	—	295	EPR	8	9	S317GF02C2AC5		
	3/32	3/32	.08	.08	65	65	65	65	—	—	295	EPR	8	9	S317GF02C2AC9		
	1/8	3/32	.30	.05	40	40	40	40	—	—	295	EPR	8	9	S317GF02C2AV3		
	5/32	3/32	.36	.30	25	25	25	25	—	—	295	EPR	8	9	S317GF02C2AV7		
1/8	3/64	3/64	.05	.10	170	170	170	170	170	170	180	Nitrile	8	9	S317GF02N2AC3		
	1/16	1/16	.08	.10	120	120	120	120	120	120	180	Nitrile	8	9	S317GF02N2AC5		
	3/32	3/32	.20	.20	65	65	65	65	65	65	180	Nitrile	8	9	S317GF02N2AC9		
	1/8	3/32	.27	.20	40	40	40	40	40	40	180	Nitrile	8	9	S317GF02N2AV3		
	5/32	3/32	.41	.23	25	25	25	25	25	25	180	Nitrile	8	9	S317GF02N2AV7		
1/8	3/64	3/64	.05	.05	170	170	170	170	170	170	230	Viton	8	9	S317GF02V2AC3		
	1/16	3/32	.05	.08	120	120	120	120	120	120	230	Viton	8	9	S317GF02V2AC5		
	3/32	3/32	.08	.08	65	65	65	65	65	65	230	Viton	8	9	S317GF02V2AC9		
	1/8	3/32	.30	.05	40	40	40	40	40	40	230	Viton	8	9	S317GF02V2AV3		
	5/32	3/32	.36	.30	25	25	25	25	25	25	230	Viton	8	9	S317GF02V2AV7		
1/8	3/64	3/64	.05	.05	170	170	170	170	170	170	366*	Teflon	8	9	S317GF02T2AC3		
	1/16	1/16	.05	.08	120	120	120	120	120	120	366*	Teflon	8	9	S317GF02T2AC5		
	3/32	3/32	.08	.08	65	65	65	65	65	65	366*	Teflon	8	9	S317GF02T2AC9		
	1/8	3/32	.30	.05	40	40	40	40	40	40	366*	Teflon	8	9	S317GF02T2AV3		
	5/32	3/32	.36	.30	25	25	25	25	25	25	366*	Teflon	8	9	S317GF02T2AV7		

* Class H Coil Recommended for High Temperature Applications

GC Valves Customer Service: 800-828-0484 (7:30am to 4pm ET) or 800-582-4232 (7:30am to 4pm PT)

S317 – 1/8" NPT, Stainless Steel Body, Normally Closed, Free Exhaust



Part Numbering

1	2	3	4	5	6	7	8	9	10	11	12	13
S	3	1	7	G	F	0	2	C	2	A	C	3
Series			Operating Mode	Housing*	Coil Class*	Voltage*		Seal Material	Body Material	Pipe Connection	Orifice Size (Main x Top)	
S31			7: Normally Closed (Free Exhaust)	G: Conduit	F: Class F	02: 120/60 110/50		C: EPR N: Nitrile V: Viton T: Teflon	2: Stainless Steel	A: 1/8" NPT	C3: 3/64" x 3/64" C5: 1/16" x 1/16" C9: 3/32" x 3/32" V3: 1/8" x 3/32" V7: 5/32" x 3/32"	
* See the "Engineering Guide" for additional voltages, variations and options.												

Coil Data

Coil Family	
Type	Size
All	S3

Frequency (Hz)	60	50
Nominal Power (VA)	Inrush	36
	Holding	16

S30 Series



- 1/8" NPT
- Stainless Steel Body
- 3-Way Direct Acting
- Normally Closed



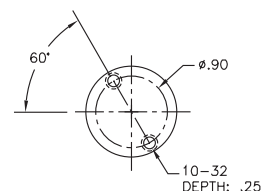
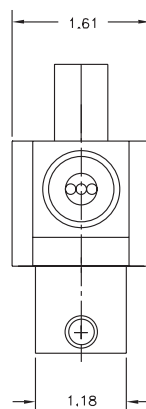
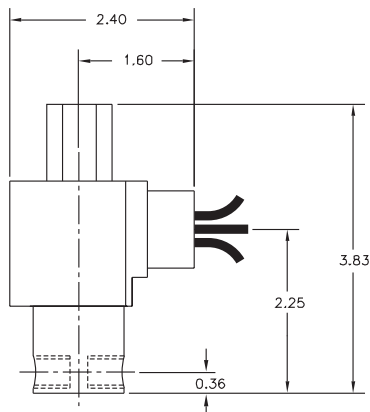
Materials	Seals:	Nitrile, Viton®, Ethylene Propylene or Teflon®
	Orifices: Top Main	Stainless Steel Stainless Steel
Electrical	Standard Housing:	Encapsulated Waterproof Conduit (NEMA 4/4X)
	Optional Housings:	Metallic Conduit, Explosion-proof (NEMA 7), Grommet, Open Frame, Junction Box (single or dual knockouts), DIN; Contact GC Valves Customer Service for others.
	Standard Voltages:	24, 120, 240 AC 60 Hz; 50 Hz available 6, 12, 24 DC; Contact GC Valves Customer Service for Additional Voltages.
	Voltage Tolerance:	±10% of applicable voltage
	Coil Classes:	F, H, N
	Standard Lead Length:	24 inch
Operating Temperature	Ambient (Nominal):	32° to 125°F
Mounting	Position	Any
Approvals*	Agency	UL Listed, UL Recognized, CSA Approved

* Not available for all variations

© Registered Trademark of DuPont Co.

Dimensions/Weight

Weight (lbs.)
1.0



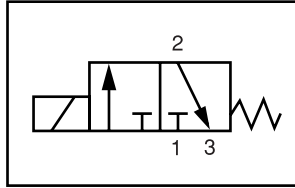
GC Valves Customer Service: 800-828-0484 (7:30am to 4pm ET) or 800-582-4232 (7:30am to 4pm PT)



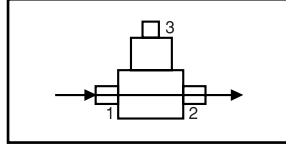
S303 – 1/8" NPT, Stainless Steel Body, Normally Closed

Valve Selection List

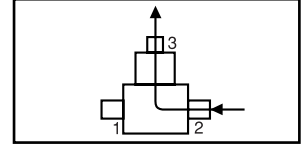
Normally Closed



Energized



De-Energized



Pipe Size NPT	Orifice Size IN		C _v		Operating Pressure Differential (psi)						Max Fluid Temp. °F	Seal Material	Power Consumption (Watts)		Model Code (120V/60HZ — 110V/50HZ Shown)
	Main	Top	Main	Top	Maximum								AC	DC	
					Air/Gas		Water		Light Oil						
					AC	DC	AC	DC	AC	DC					
1/8	3/64	1/16	.05	.10	220	220	220	220	—	—	295	EPR	10	10	S303GF02C2AV1
	1/16	1/16	.08	.10	150	150	150	150	—	—	295	EPR	10	10	S303GF02C2AC5
	3/32	3/32	.18	.23	100	100	100	100	—	—	295	EPR	10	10	S303GF02C2AC9
	1/8	3/32	.30	.23	75	75	75	75	—	—	295	EPR	10	10	S303GF02C2AV3
	5/32	3/32	.41	.23	50	50	50	50	—	—	295	EPR	10	10	S303GF02C2AV7
	3/16	3/32	.53	.23	30	30	30	30	—	—	295	EPR	10	10	S303GF02C2AV9
	1/4	3/32	.83	.23	15	15	15	15	—	—	295	EPR	10	10	S303GF02C2AW1
1/8	3/64	1/16	.05	.10	220	220	220	220	220	220	180	Nitrile	10	10	S303GF02N2AV1
	1/16	1/16	.08	.10	150	150	150	150	150	150	180	Nitrile	10	10	S303GF02N2AC5
	3/32	3/32	.18	.23	100	100	100	100	100	100	180	Nitrile	10	10	S303GF02N2AC9
	1/8	3/32	.30	.23	75	75	75	75	75	75	180	Nitrile	10	10	S303GF02N2AV3
	5/32	3/32	.41	.23	50	50	50	50	50	50	180	Nitrile	10	10	S303GF02N2AV7
	3/16	3/32	.53	.23	30	30	30	30	30	30	180	Nitrile	10	10	S303GF02N2AV9
	1/4	3/32	.83	.23	15	15	15	15	15	15	180	Nitrile	10	10	S303GF02N2AW1
1/8	3/64	1/16	.05	.10	220	220	220	220	220	220	230	Viton	10	10	S303GF02V2AV1
	1/16	1/16	.08	.10	150	150	150	150	150	150	230	Viton	10	10	S303GF02V2AC5
	3/32	3/32	.18	.23	100	100	100	100	100	100	230	Viton	10	10	S303GF02V2AC9
	1/8	3/32	.30	.23	75	75	75	75	75	75	230	Viton	10	10	S303GF02V2AV3
	5/32	3/32	.41	.23	50	50	50	50	50	50	230	Viton	10	10	S303GF02V2AV7
	3/16	3/32	.53	.23	30	30	30	30	30	30	230	Viton	10	10	S303GF02V2AV9
	1/4	3/32	.83	.23	15	15	15	15	15	15	230	Viton	10	10	S303GF02V2AW1
1/8	3/64	1/16	.05	.10	220	220	220	220	220	220	366*	Teflon	10	10	S303GF02T2AV1
	1/16	1/16	.08	.10	150	150	150	150	150	150	366*	Teflon	10	10	S303GF02T2AC5
	3/32	3/32	.18	.23	100	100	100	100	100	100	366*	Teflon	10	10	S303GF02T2AC9
	1/8	3/32	.30	.23	75	75	75	75	75	75	366*	Teflon	10	10	S303GF02T2AV3
	5/32	3/32	.41	.23	50	50	50	50	50	50	366*	Teflon	10	10	S303GF02T2AV7
	3/16	3/32	.53	.23	30	30	30	30	30	30	366*	Teflon	10	10	S303GF02T2AV9
	1/4	3/32	.83	.23	15	15	15	15	15	15	366*	Teflon	10	10	S303GF02T2AW1

* Class H Coil Recommended for High Temperature Applications

GC Valves Customer Service: 800-828-0484 (7:30am to 4pm ET) or 800-582-4232 (7:30am to 4pm PT)

S303 – 1/8" NPT, Stainless Steel Body, Normally Closed



Part Numbering

1	2	3	4	5	6	7	8	9	10	11	12	13
S	3	0	3	G	F	0	2	C	2	A	V	1
Series			Operating Mode	Housing*	Coil Class*	Voltage*		Seal Material	Body Material	Pipe Connection	Orifice Size (Main x Top)	
S30			3: Normally Closed	G: Conduit	F: Class F	02: 120/60 110/50		C: EPR N: Nitrile V: Viton T: Teflon	2: Stainless Steel	A: 1/8" NPT	V1: 3/64" x 1/16" C5: 1/16" x 1/16" C9: 3/32" x 3/32" V3: 1/8" x 3/32" V7: 5/32" x 3/32" V9: 3/16" x 3/32" W1: 1/4" x 3/32"	
* See the "Engineering Guide" for additional voltages, variations and options.												

Coil Data

Coil Family	
Type	Size
All	S4

Frequency (Hz)	60	50
Nominal Power (VA)	Inrush	46
	Holding	20

S30 Series



- 1/8" NPT
- Stainless Steel Body
- 3-Way Direct Acting
- Normally Closed
- Free Exhaust



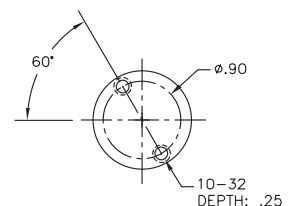
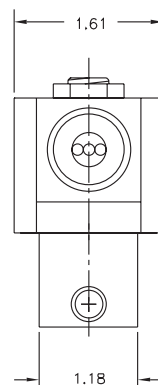
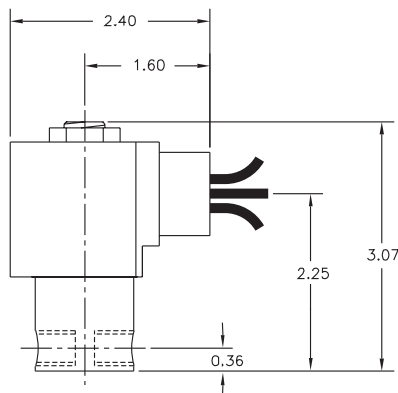
Materials	Seals:	Nitrile, Viton®, Ethylene Propylene or Teflon®
	Orifices: Top Main	Stainless Steel Stainless Steel
Electrical	Standard Housing:	Encapsulated Waterproof Conduit (NEMA 4/4X)
	Optional Housings:	Metallic Conduit, Explosion-proof (NEMA 7), Grommet, Open Frame, Junction Box (single or dual knockouts), DIN; Contact GC Valves Customer Service for others.
	Standard Voltages:	24, 120, 240 AC 60 Hz; 50 Hz available 6, 12, 24 DC; Contact GC Valves Customer Service for Additional Voltages.
	Voltage Tolerance:	±10% of applicable voltage
	Coil Classes:	F, H, N
	Standard Lead Length:	24 inch
Operating Temperature	Ambient (Nominal):	32° to 125°F
Mounting	Position	Any
Approvals*	Agency	UL Listed, UL Recognized, CSA Approved

* Not available for all variations

© Registered Trademark of DuPont Co.

Dimensions/Weight

Weight (lbs.)
1.0



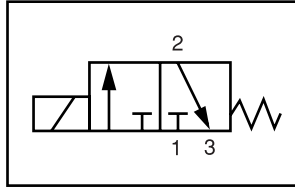
GC Valves Customer Service: 800-828-0484 (7:30am to 4pm ET) or 800-582-4232 (7:30am to 4pm PT)



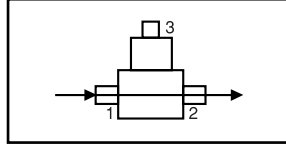
S307 – 1/8" NPT, Stainless Steel Body, Normally Closed, Free Exhaust

Valve Selection List

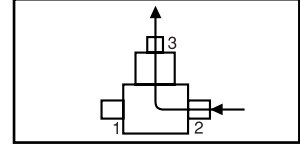
Normally Closed



Energized



De-Energized



Pipe Size NPT	Orifice Size IN		C _v		Operating Pressure Differential (psi)						Max Fluid Temp. °F	Seal Material	Power Consumption (Watts)		Model Code (120V/60HZ — 110V/50HZ Shown)
	Main	Top	Main	Top	Maximum			Light Oil		AC			DC		
					AC	DC	AC	DC	AC					DC	
	Stainless Steel Body														
1/8	3/64	1/16	.05	.10	220	220	220	220	—	—	295	EPR	10	10	S307GF02C2AV1
	1/16	1/16	.08	.10	150	150	150	150	—	—	295	EPR	10	10	S307GF02C2AC5
	3/32	3/32	.18	.23	100	100	100	100	—	—	295	EPR	10	10	S307GF02C2AC9
	1/8	3/32	.30	.23	75	75	75	75	—	—	295	EPR	10	10	S307GF02C2AV3
	5/32	3/32	.41	.23	50	50	50	50	—	—	295	EPR	10	10	S307GF02C2AV7
	3/16	3/32	.53	.23	30	30	30	30	—	—	295	EPR	10	10	S307GF02C2AV9
	1/4	3/32	.83	.23	15	15	15	15	—	—	295	EPR	10	10	S307GF02C2AW1
1/8	3/64	1/16	.05	.10	220	220	220	220	220	220	180	Nitrile	10	10	S307GF02N2AV1
	1/16	1/16	.08	.10	150	150	150	150	150	150	180	Nitrile	10	10	S307GF02N2AC5
	3/32	3/32	.18	.23	100	100	100	100	100	100	180	Nitrile	10	10	S307GF02N2AC9
	1/8	3/32	.30	.23	75	75	75	75	75	75	180	Nitrile	10	10	S307GF02N2AV3
	5/32	3/32	.41	.23	50	50	50	50	50	50	180	Nitrile	10	10	S307GF02N2AV7
	3/16	3/32	.53	.23	30	30	30	30	30	30	180	Nitrile	10	10	S307GF02N2AV9
	1/4	3/32	.83	.23	15	15	15	15	15	15	180	Nitrile	10	10	S307GF02N2AW1
1/8	3/64	1/16	.05	.10	220	220	220	220	220	220	230	Viton	10	10	S307GF02V2AV1
	1/16	1/16	.08	.10	150	150	150	150	150	150	230	Viton	10	10	S307GF02V2AC5
	3/32	3/32	.18	.23	100	100	100	100	100	100	230	Viton	10	10	S307GF02V2AC9
	1/8	3/32	.30	.23	75	75	75	75	75	75	230	Viton	10	10	S307GF02V2AV3
	5/32	3/32	.41	.23	50	50	50	50	50	50	230	Viton	10	10	S307GF02V2AV7
	3/16	3/32	.53	.23	30	30	30	30	30	30	230	Viton	10	10	S307GF02V2AV9
	1/4	3/32	.83	.23	15	15	15	15	15	15	230	Viton	10	10	S307GF02V2AW1
1/8	3/64	1/16	.05	.10	220	220	220	220	220	220	366*	Teflon	10	10	S307GF02T2AV1
	1/16	1/16	.08	.10	150	150	150	150	150	150	366*	Teflon	10	10	S307GF02T2AC5
	3/32	3/32	.18	.23	100	100	100	100	100	100	366*	Teflon	10	10	S307GF02T2AC9
	1/8	3/32	.30	.23	75	75	75	75	75	75	366*	Teflon	10	10	S307GF02T2AV3
	5/32	3/32	.41	.23	50	50	50	50	50	50	366*	Teflon	10	10	S307GF02T2AV7
	3/16	3/32	.53	.23	30	30	30	30	30	30	366*	Teflon	10	10	S307GF02T2AV9
	1/4	3/32	.83	.23	15	15	15	15	15	15	366*	Teflon	10	10	S307GF02T2AW1

* Class H Coil Recommended for High Temperature Applications

GC Valves Customer Service: 800-828-0484 (7:30am to 4pm ET) or 800-582-4232 (7:30am to 4pm PT)

S307 – 1/8" NPT, Stainless Steel Body, Normally Closed, Free Exhaust



Part Numbering

1	2	3	4	5	6	7	8	9	10	11	12	13
S	3	0	7	G	F	0	2	C	2	A	v	1
Series			Operating Mode	Housing*	Coil Class*	Voltage*		Seal Material	Body Material	Pipe Connection	Orifice Size (Main x Top)	
S30			7: Normally Closed (Free Exhaust)	G: Conduit	F: Class F	02: 120/60 110/50		C: EPR N: Nitrile V: Viton T: Teflon	2: Stainless Steel	A: 1/8" NPT	V1: 3/64" x 1/16" C5: 1/16" x 1/16" C9: 3/32" x 3/32" V3: 1/8" x 3/32" V7: 5/32" x 3/32" V9: 3/16" x 3/32" W1: 1/4" x 3/32"	
* See the "Engineering Guide" for additional voltages, variations and options.												

Coil Data

Coil Family	
Type	Size
All	S4

Frequency (Hz)	60	50
Nominal Power (VA)	Inrush	46
	Holding	20

- 1/8" NPT
- Stainless Steel Body
- 3-Way Direct Acting
- Normally Closed



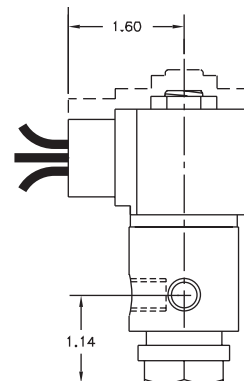
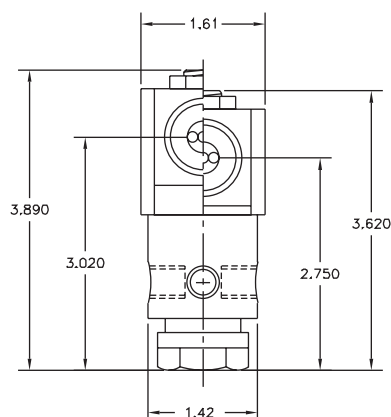
Materials	Seals:	Nitrile, Viton®, Ethylene Propylene
	Orifices:	Stainless Steel
Electrical	Standard Housing:	Encapsulated Waterproof Conduit (NEMA 4/4X)
	Optional Housings:	Metallic Conduit, Explosion-proof (NEMA 7), Grommet, Open Frame, Junction Box (single or dual knockouts), DIN; Contact GC Valves Customer Service for others.
	Standard Voltages:	24, 120, 240 AC 60 Hz; 50 Hz available 6, 12, 24 DC; Contact GC Valves Customer Service for Additional Voltages.
	Voltage Tolerance:	±10% of applicable voltage
	Coil Classes:	F, H, N
	Standard Lead Length:	24 inch
Operating Temperature	Ambient (Nominal):	32°F to 125°F
Mounting	Position	Any
Approvals*	Agency	UL Listed, UL Recognized, CSA Approved

* Not available for all variations

© Registered Trademark of DuPont Co.

Dimensions/Weight

Weight (lbs.)
1.1



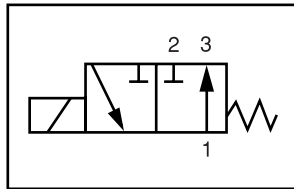
GC Valves Customer Service: 800-828-0484 (7:30am to 4pm ET) or 800-582-4232 (7:30am to 4pm PT)



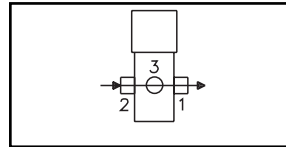
S333 – 1/8" NPT, Stainless Steel Body, Normally Closed

Valve Selection List

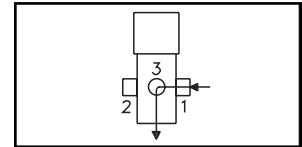
Normally Closed



Energized



De-Energized



Pipe Size NPT	Orifice Size IN	C _v	Minimum	Operating Pressure Differential (psi)						Max Fluid Temp. °F	Seat Material	Power Consumption (Watts)		Model Code (120V/60HZ — 110V/50HZ) Shown	
				Maximum								AC	DC		
				Air/Gas		Water		Light Oil							
				AC	DC	AC	DC	AC	DC			AC	DC	Stainless Steel Body	
Reduced Power	1/8	1/16	.09	0	160	100	160	100	—	—	295	EPR	8	9	S333GF02C7AC5
	3/32	.15	0	100	50	100	50	—	—	295	EPR	8	9	S333GF02C7AC9	
	1/8	.26	0	50	30	50	30	—	—	295	EPR	8	9	S333GF02C7AD5	
1/8	1/16	.09	0	200	160	200	160	—	—	295	EPR	10	10	S333GF02C8AC5	
	3/32	.15	0	150	114	150	114	—	—	295	EPR	10	10	S333GF02C8AC9	
	1/8	.31	0	84	60	84	60	—	—	295	EPR	10	10	S333GF02C8AD5	
	11/64	.38	0	45	24	45	24	—	—	295	EPR	10	10	S333GF02C8AD8	
Reduced Power	1/8	1/16	.09	0	160	100	160	100	160	100	180	Nitrile	8	9	S333GF02N7AC5
	3/32	.15	0	100	50	100	50	100	50	180	Nitrile	8	9	S333GF02N7AC9	
	1/8	.26	0	50	30	50	30	50	30	180	Nitrile	8	9	S333GF02N7AD5	
1/8	1/16	.09	0	200	160	200	160	200	160	180	Nitrile	10	10	S333GF02N8AC5	
	3/32	.15	0	150	114	150	114	150	114	180	Nitrile	10	10	S333GF02N8AC9	
	1/8	.31	0	84	60	84	60	84	60	180	Nitrile	10	10	S333GF02N8AD5	
	11/64	.38	0	45	24	45	24	45	24	180	Nitrile	10	10	S333GF02N8AD8	
Reduced Power	1/8	1/16	.09	0	160	100	160	100	160	100	230	Viton	8	9	S333GF02V7AC5
	3/32	.15	0	100	50	100	50	100	50	230	Viton	8	9	S333GF02V7AC9	
	1/8	.26	0	50	30	50	30	50	30	230	Viton	8	9	S333GF02V7AD5	
1/8	1/16	.09	0	200	160	200	160	200	160	230	Viton	10	10	S333GF02V8AC5	
	3/32	.15	0	150	114	150	114	150	114	230	Viton	10	10	S333GF02V8AC9	
	1/8	.31	0	84	60	84	60	84	60	230	Viton	10	10	S333GF02V8AD5	
	11/64	.38	0	45	24	45	24	45	24	230	Viton	10	10	S333GF02V8AD8	

* Class H Coil Recommended for High Temperature Applications

GC Valves Customer Service: 800-828-0484 (7:30am to 4pm ET) or 800-582-4232 (7:30am to 4pm PT)

S333 – 1/8" NPT, Stainless Steel Body, Normally Closed



Part Numbering

1	2	3	4	5	6	7	8	9	10	11	12	13
S	3	3	3	G	F	0	2	C	7	A	C	5
Series			Operating Mode	Housing*	Coil Class*	Voltage*		Seal Material	Body Material	Pipe Connection	Orifice Size	
S33			3: Normally Closed	G: Conduit	F: Class F	02: 120/60 110/50		C: EPR N: Nitrile V: Viton	7: Stainless Steel 8: Stainless Steel	A: 1/8" NPT	C5: 1/16" C9: 3/32" D5: 1/8" D8: 11/64"	
* See the "Engineering Guide" for additional voltages, variations and options.												

Coil Data

Coil Family	
Type	Size
(Body Code)	
7	S3
8	S4

	Frequency (Hz)			
	60		50	
Body	7	8	7	8
Nominal Power (VA)				
Inrush	36	46	36	46
Holding	13	18	14	19



S333 – 1/8" NPT, Stainless Steel Body, Normally Closed

This Page Intentionally Blank