



Screwdriving technology

Automation

Air motors

Air tools

DEPRAG

ADVANCED LINE

Stainless Steel Air Motors

from 20 W / 0.03 Hp up to 1.2 kW / 1.6 Hp

NEW MOTOR RANGE

High torque motors made from stainless steel:

Our ADVANCED LINE air motors are now available as high torque motors made from stainless steel. The ideal drive solution for e.g. agitators and industrial mixers.

Also new:

900 W stainless steel motors!

non corrosive ATEX conform oil-free sealed
sterilisable compact insensitive to cleaning solvents

The ADVANCED LINE motors are particularly suitable for use in the food industry, medical technology, underwater applications and the chemical industry.

All external parts (housing and spindle) of our ADVANCED LINE series are made from high quality non corrosive steel.

All motors can be operated oil-free without special adaption and with only a 15 % reduction in power.

Our motors are also available in an ATEX conform complete system with integrated holding brakes.

In addition our modular principle enables us to offer low cost customisations for your specific application!



conform system: air motor - holding brake - gear



PRODUCT SPECTRUM OVERVIEW: STAINLESS STEEL MOTORS

Stainless steel motors with integrated planetary gears



The motors of the ADVANCED LINE are particularly compact drive solutions for installation in either handheld machines or industrial systems. These top quality stainless steel motors are suitable for the chemical industry, for the paper industry, the pharmaceutical industry, medical technology and also for use in the food industry. The air motor is sealed, no dirt from the surrounding area can enter. It can also be operated oil-free.

Performance classes:

20 W	Page 4
30 W	Page 4
80 W	Page 6
120 W	Page 8
200 W	Page 10
300 W	Page 10
600 W	Page 16
900 W	Page 16
1.2 kW	Page 20

High torque stainless steel motors



The high torque motors of the ADVANCED LINE are small in size but provide extremely high output. The stainless steel gearing combined with the motor is very robust and has a high continuous driving torque. Our high torque motors are also less apt to stall, the stalling torque for e.g. motor type 67-517 is 800 Nm.

These drive solutions are particularly suitable for use in industrial agitators and mixers as used in the paint industry, food industry or pharmaceutical industry.

Performance classes:

285 W	Page 12
570 W	Page 18
860 W	Page 18

Stainless steel motors with integrated holding brake



Due to their size and design DEPRAG stainless steel motors with integrated holding brake are the optimal choice for use in any application where reliability plays an important role. The integrated holding brake can either be controlled using a separate control lead or via the motor exhaust. If pressure falls the brakes are automatically activated.

The big plus: This innovative complete system is also available with ATEX certification!

Performance classes:

200 W	Page 14
300 W	Page 14
1.2 kW	Page 22

ADVANTAGES OF STAINLESS STEEL MOTORS

LONG LIFE-SPAN

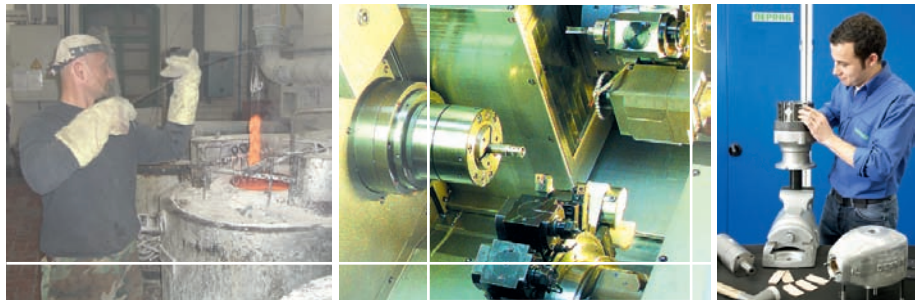
A wide product range of stainless steel motors, the use of DEPRAG high performance vanes as well as a specific surface coating on our materials all this ensures your motor's long life-span.



Motor-gears-valve: a stainless steel system for the paper industry, sealed stainless steel motors, high performance vanes

SHORT DELIVERY TIMES

Due to our large amount of in-house production we are able to deliver quickly and flexibly at short notice, even when dealing with smaller quantities.



Large amount of in-house production, on-site salt bath heat treatment facility

APPLICATION CONSULTANCY

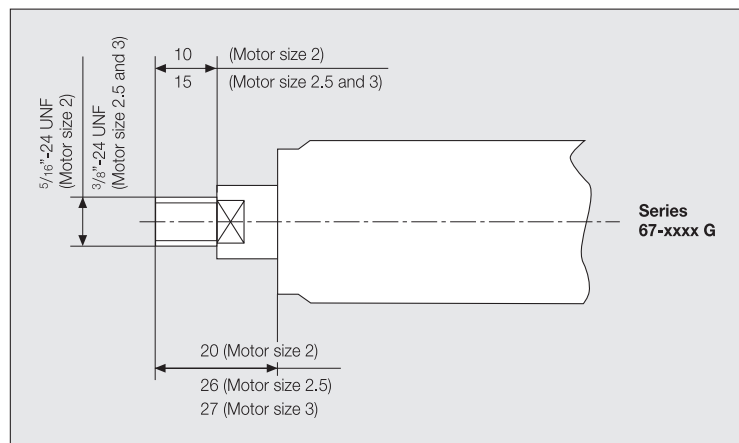
Our application engineers will gladly advise you in the selection of the most suitable drive for your application. If you would like to test or replace your existing drive we can check it for you in our innovative performance testing facility.



Performance testing facility, professional guidance from our engineers

WIDE VARIETY AND COMPREHENSIVE RANGE OF ACCESSORIES

Our standard programme is distinguished by its wide variety. All our stainless steel motors are also available with threaded spindle. Additionally due to our modular principle we are able to offer numerous variations to choose from. Do not hesitate to contact us if you have a specific mounting fixture request.



Individual customisation at an attractive price

20 W / 30 W STAINLESS STEEL MOTORS

Motor size 0		reversible	
Series 67-	Type oder no.	67-030 445115 D	67-040 445115 E
Nominal-Power	W / HP	20 / 0.03	20 / 0.03
Nominal-Speed	rpm	650	475
Speed (Idling)	rpm	1300	950
Nominal-Torque	Nm / in.lbs	0.29 / 2.6	0.4 / 3.5
Start-Torque min.	Nm / in.lbs	0.44 / 3.9	0.6 / 5.3
Air Consumption	m ³ /min / cfm	0.1 / 3	0.1 / 3
Weight	kg / lbs	0.16 / 0.3	0.16 / 0.3
Hose I.D.	mm / in.	3 / 1/8	3 / 1/8

Performance data relate to an air pressure of 6 bar (85 PSI)

Standard Equipment: 2 Slide connectors (M 5)

Optional Equipment:			
Flange	order no.	445187	445187
necessary 3 cylinder-screws	order no.	828955	828955
1 Silencer (M 5)	order no.	811355	811355

Motor size 0		right rotation
Series 67-	Type order no.	67-040 R 445462 E
Nominal-Power	W /HP	30 / 0.04
Nominal-Speed	rpm	500
Speed (Idling)	rpm	1000
Nominal-Torque	Nm / in.lbs	0.57 / 5
Start-Torque min.	Nm / in.lbs	0.85 / 7.5
Air Consumption	m ³ /min / cfm	0.1 / 3
Weight	kg / lbs	0.13 / 0.29
Hose I.D.	mm / in.	3 / 1/8

Performance data relate to an air pressure of 6 bar (85 PSI)

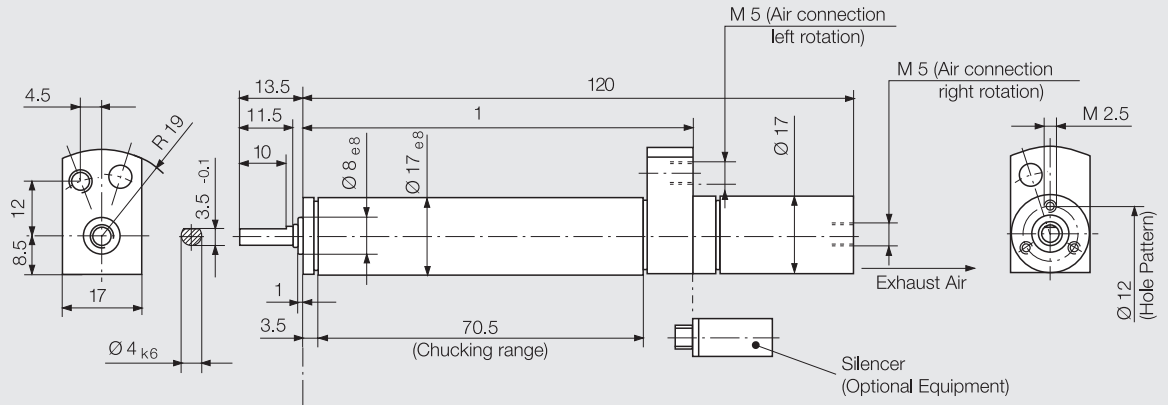
Standard Equipment: 1 Slide connector (M 5)
--

Optional Equipment:		
Flange	order no.	445187
necessary 3 cylinder-screws	order no.	828955

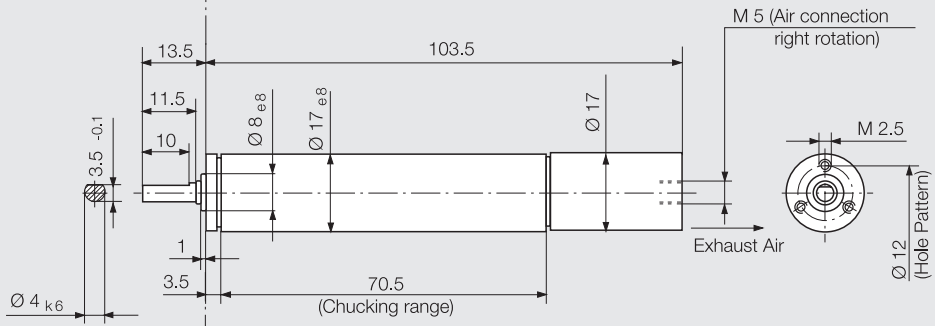
Allowable shaft loading see page 24.

Further notes for soundproofing see page 25.

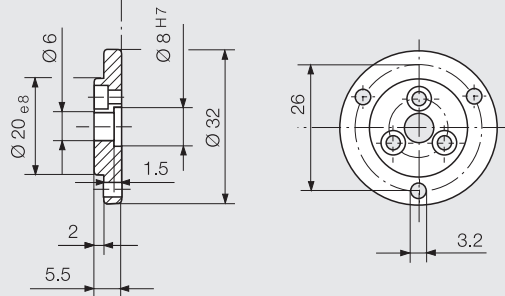
Motor size 0
Series 67-
 reversible



Motor size 0
Series 67-
 right rotation



Flange
 (Optional Equipment)



Dimensions in mm

80 W STAINLESS STEEL MOTORS

Motor size 1		reversible			
Series 67-	Type order no.	67-001 445127 A	67-011 445127 B	67-021 445127 C	67-031 445127 D
Nominal-Power	W / HP	80 / 0.11	80 / 0.11	80 / 0.11	80 / 0.11
Nominal-Speed	rpm	11000	3500	950	650
Speed (Idling)	rpm	22000	7000	1900	1300
Nominal-Torque	Nm / in.lbs	0.06 / 0.5	0.22 / 1.9	0.8 / 7	1.2 / 11
Start-Torque min.	Nm / in.lbs	0.09 / 0.8	0.33 / 2.9	1.2 / 11	1.8 / 16
Air Consumption	m ³ /min / cmf	0.23 / 8	0.23 / 8	0.23 / 8	0.23 / 8
Length L	mm / in.	96.5 / 3.76	96.5 / 3.76	105.5 / 4.1	105.5 / 4.1
Weight	kg / lbs	0.2 / 0.4	0.2 / 0.4	0.22 / 0.5	0.22 / 0.5
Hose I.D.	mm / in.	4 / ⁵ / ₃₂	4 / ⁵ / ₃₂	4 / ⁵ / ₃₂	4 / ⁵ / ₃₂

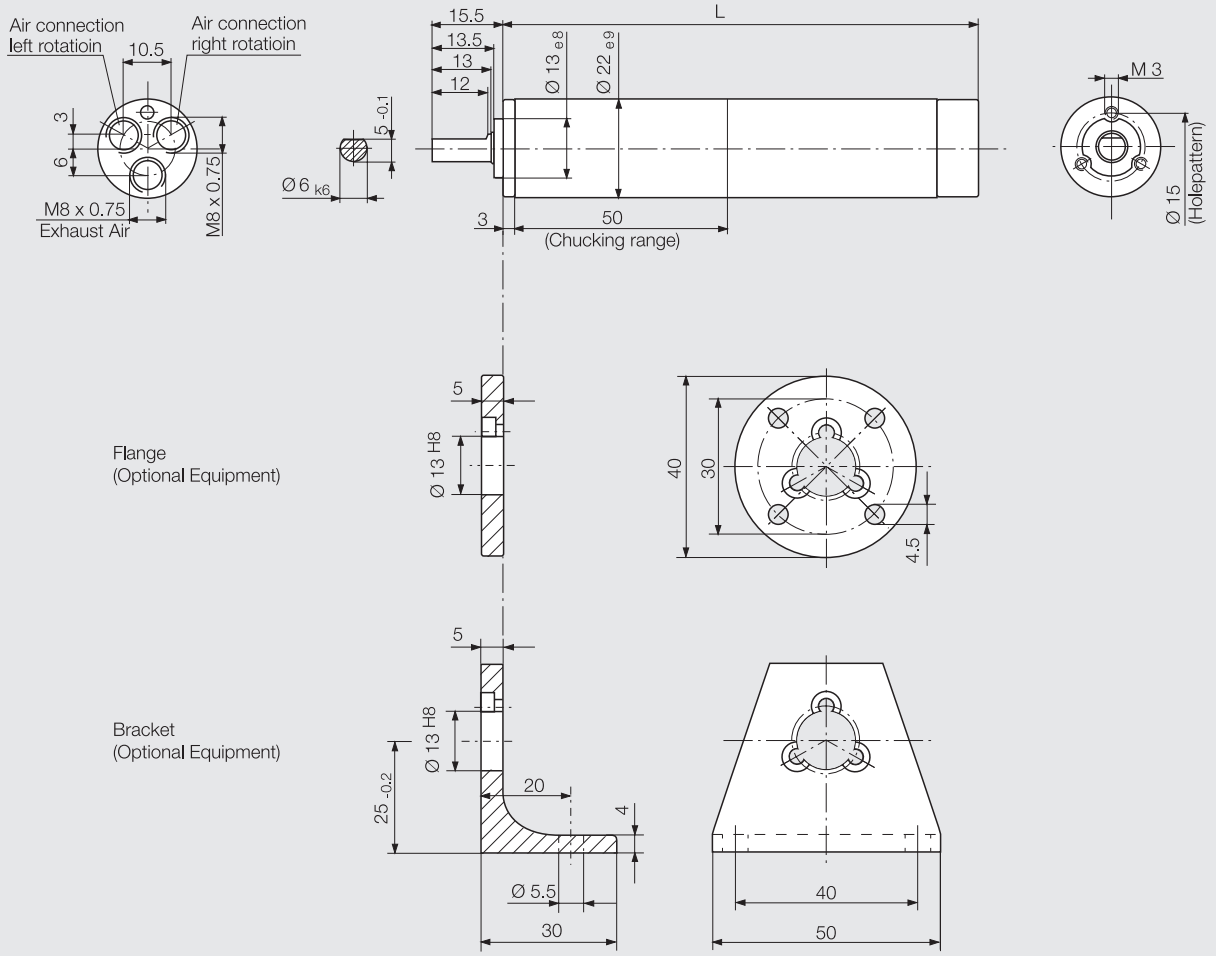
Performance data relate to an air pressure of 6 bar (85 PSI)

Allowable shaft loading see page 24.

Equipment:		Motor size 1 Series 67-
Flange	order no.	445181
necessary 3 cylinder-screws	order no.	831728
Bracket	order no.	445180
necessary 3 cylinder-screws	order no.	831728
3 Slide connectors (M8 x 0.75)	order no.	included in delivery
2 Silencer	order no.	823236
necessary 2 Slide connectors	order no.	824838
1 Hose 0.2 m	order no.	822283


Further notes for soundproofing see page 25.

Motor size 1
Series 67-
 reversible



Dimensions in mm

120 W STAINLESS STEEL MOTORS

Motor size 2		umsteuerbar						
Series 67-  II 2 GD c IIC T6 (80°C)	Type order no.	67-002 444550 A	67-012 444550 H	67-022 444550 B	67-032 444550 C	67-042 444550 D	67-052 444550 E	67-2521 444550 F
Nominal-Power	W / HP	120 / 0.16	120 / 0.16	120 / 0.16	120 / 0.16	120 / 0.16	120 / 0.16	90 / 0.12 ¹⁾
Nominal-Speed	rpm	11000	2750	1800	700	450	300	50 ¹⁾
Speed (Idling)	rpm	22000	5500	3600	1400	900	600	100
Nominal-Torque	Nm / in.lbs	0.10 / 0.9	0.4 / 3.5	0.6 / 5.3	1.6 / 14	2.5 / 22	3.8 / 34	5 / 44 [*]
Start-Torque min.	Nm / in.lbs	0.15 / 1.3	0.6 / 5.3	0.9 / 8	2.4 / 21	3.8 / 34	5 / 44 [*]	5 / 44 [*]
Air Consumption	m ³ /min / cfm	0.3 / 11	0.3 / 11	0.3 / 11	0.3 / 11	0.3 / 11	0.3 / 11	0.3 / 11
Weight	kg / lbs	0.35 / 0.8	0.35 / 0.8	0.35 / 0.8	0.4 / 0.9	0.4 / 0.9	0.4 / 0.9	0.45 / 1
Hose I.D.	mm / in.	6 / ¼	6 / ¼	6 / ¼	6 / ¼	6 / ¼	6 / ¼	6 / ¼

Performance data relate to an air pressure of 6 bar (85 PSI)

^{*}) max. admissible Torque

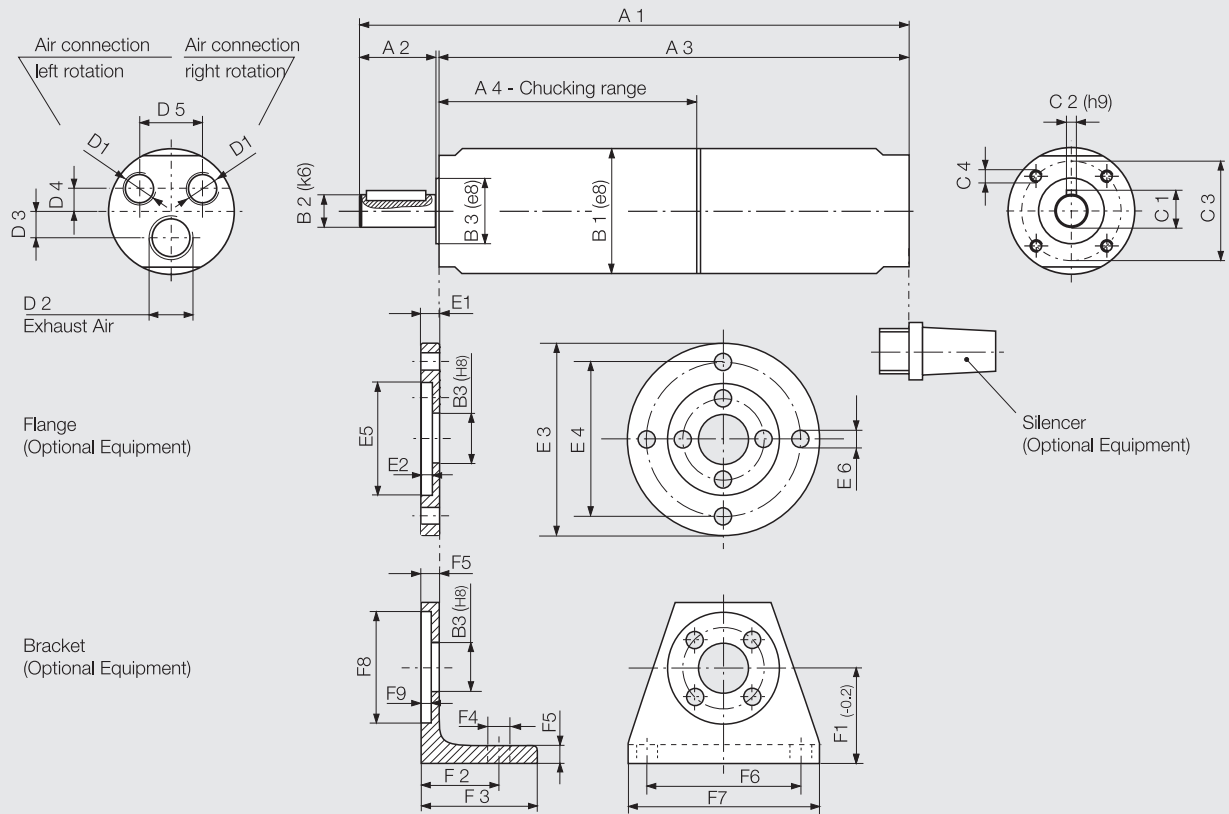
¹⁾) Theoretical values for issuing the power diagram

Allowable shaft loading see page 24.

Optional Equipment:	Motor size 2 Series 67-
Flange necessary 4 cylinder-screws	order no. 444569 order no. 823216
Bracket necessary 4 cylinder-screws	order no. 444572 order no. 823216
Silencer: motor operates in one direction (right or left rotation)	
1 Hose nozzle	order no. 823237
2 Silencer	order no. 823236
Silencer: motor is reversible (right and left rotation)	
2 Hose nozzles	order no. 823237
1 Silencer	order no. 823236

Further notes for soundproofing see page 25.


Motor size 2
Series 67-
 reversible



Motor size	Series 67- Type			Dimensions of Motor (mm)															
				A1	A2	A3	A4	B1	B2	B3	C1	C2	C3	C4	D1	D2	D3	D4	D5
2	67-002	67-012	67-022	135	17	117	46.5	27	8	13	8.8	2	21	M4	1/8"	1/8"	8	4	14
	67-032	67-042	67-052	147.5	17	129.5	59	27	8	13	8.8	2	21	M4	1/8"	1/8"	8	4	14
	67-2521			160	17	142	71.5	27	8	13	8.8	2	21	M4	1/8"	1/8"	8	4	14

Motor size	Series 67- Type			Dimensions of Flange (mm)							Dimensions of Bracket (mm)									
				B3	E1	E2	E3	E4	E5	E6	B3	F1	F2	F3	F4	F5	F6	F7	F8	F9
2	67-002	67-012	67-022	13	5	3	50	40	29	4.5	13	25	20	30	5.5	4.5	40	50	29	2.5
	67-032	67-042	67-052	13	5	3	50	40	29	4.5	13	25	20	30	5.5	4.5	40	50	29	2.5
	67-2521			13	5	3	50	40	29	4.5	13	25	20	30	5.5	4.5	40	50	29	2.5


200 W / 300 W STAINLESS STEEL MOTORS

Motor size 2.5		reversible							
Series 67-  II 2 GD c IIC Type T6 (80°C) order no.		67-0025	67-0125	67-0225	67-0725	67-0325	67-0425	67-04251	67-24251
		444500 B	444500 C	444500 D	444500 F	444500 E	444500 A	444500 G	444500 H
Nominal-Power	W / HP	200 / 0.27	200 / 0.27	200 / 0.27	200 / 0.27	200 / 0.27	200 / 0.27	100 / 0.13	180 / 0.24 ¹⁾
Nominal-Speed	rpm	7250	2300	1200	700	350	160	90	25 ¹⁾
Speed (Idling)	rpm	14500	4600	2400	1400	700	320	180	50
Nominal-Torque	Nm / in.lbs	0.26 / 2.3	0.8 / 7.1	1.6 / 14	2.7 / 24	5.4 / 48	12 / 106	10.5 / 93	20 / 177 [*]
Start-Torque min.	Nm / in.lbs	0.4 / 3.5	1.2 / 11	2.4 / 21	4.1 / 36	8.2 / 73	18 / 159	15 / 133	20 / 177 [*]
Air Consumption	m ³ /min / cfm	0.37 / 13	0.37 / 13	0.37 / 13	0.37 / 13	0.37 / 13	0.37 / 13	0.27 / 9	0.37 / 13
Weight	kg / lbs	0.7 / 1.5	0.75 / 1.6	0.75 / 1.6	0.85 / 1.9	0.85 / 1.9	0.85 / 1.9	0.85 / 1.9	0.95 / 2.1
Hose I.D.	mm / in.	10 / ³ / ₈	10 / ³ / ₈	10 / ³ / ₈	10 / ³ / ₈	10 / ³ / ₈	10 / ³ / ₈	10 / ³ / ₈	10 / ³ / ₈

Performance data relate to an air pressure of 6 bar (85 PSI)

^{*}) max. admissible Torque

¹⁾) Theoretical values for issuing the power diagram

Motor size 3		reversible								
Series 67-  II 2 GD c IIC Type T6 (80°C) order no.		67-003	67-013	67-023	67-073	67-083	67-093	67-0931	67-1931	67-2931
		444560 A	444560 B	444560 C	444560 D	444560 E	444560 F	444560 G	444560 K	444560 H
Nominal-Power	W / HP	300 / 0.4	300 / 0.4	300 / 0.4	300 / 0.4	300 / 0.4	300 / 0.4	130 / 0.17	280/0.37 ¹⁾	280/0.37 ¹⁾
Nominal-Speed	rpm	7250	2300	1200	700	300	170	90	50	25 ¹⁾
Speed (Idling)	rpm	14500	4600	2400	1400	600	350	180	100	50
Nominal-Torque	Nm / in.lbs	0.4 / 3.5	1.2 / 11	2.4 / 21	4.1 / 36	9.6 / 85	16.9 / 149	13.8 / 122	36 / 319 [*]	36 / 319 [*]
Start-Torque min.	Nm / in.lbs	0.6 / 5.3	1.9 / 17	3.6 / 32	6.1 / 54	14.3 / 126	25.3 / 224	21 / 186	36 / 319 [*]	36 / 319 [*]
Air Consumption	m ³ /min / cfm	0.47 / 17	0.47 / 17	0.47 / 17	0.47 / 17	0.47 / 17	0.47 / 17	0.28 / 10	0.47 / 17	0.47 / 17
Weight	kg / lbs	1.0 / 2.2	1.05 / 2.3	1.05 / 2.3	1.10 / 2.4	1.15 / 2.5	1.15 / 2.5	1.15 / 2.5	1.25 / 2.7	1.25 / 2.7
Hose I.D.	mm / in.	10 / ³ / ₈	10 / ³ / ₈	10 / ³ / ₈	10 / ³ / ₈	10 / ³ / ₈	10 / ³ / ₈	10 / ³ / ₈	10 / ³ / ₈	10 / ³ / ₈

Performance data relate to an air pressure of 6 bar (85 PSI)

^{*}) max. admissible Torque

¹⁾) Theoretical values for issuing the power diagram

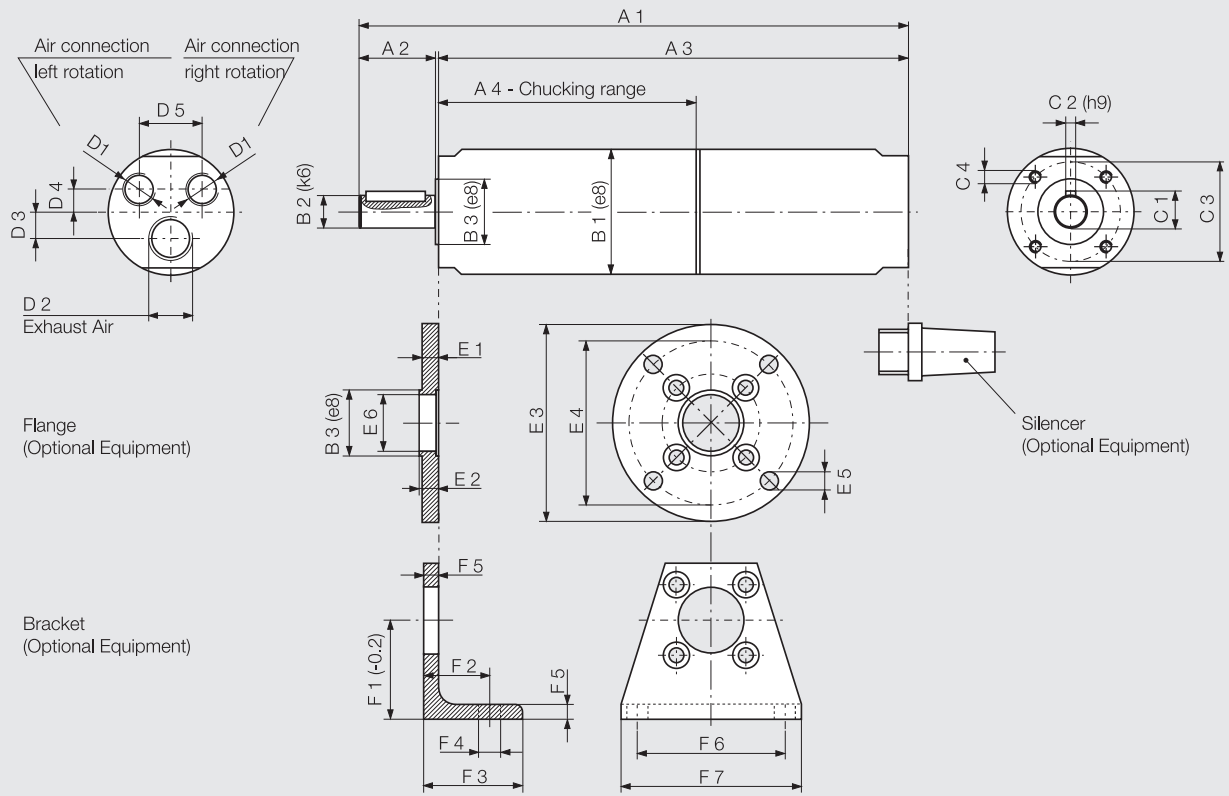
Allowable shaft loading see page 24.

Optional Equipment:		Motor size 2.5 Series 67-	Motor size 3 Series 67-
Flange necessary 4 cylinder-screws	order no. order no.	444530 823216	444610 823139
Bracket necessary 4 cylinder-screws	order no. order no.	444539 823216	444611 823139
Silencer: motor operates in one direction (right or left rotation)			
1 Hose nozzle	order no.	823238 (1/8")	410541 (1/4")
1 Silencer	order no.	802675 (1/8")	802673 (1/4")
1 Silencer	order no.	802673 (1/4")	802673 (1/4")
Silencer: motor is reversible (right and left rotation)			
2 Hose nozzles	order no.	823238 (1/8")	410541 (1/4")
1 Silencer	order no.	802673 (1/4")	802673 (1/4")

Further notes for soundproofing see page 25.

Motor size 2.5
Series 67-
 reversible


Motor size 3
Series 67-
 reversible



Motor size	Series 67- Type				Dimensions of Motor (mm)															
					Type	A2	A3	A4	B1	B2	B3	C1	C2	C3	C4	D1	D2	D3	D4	D5
2.5	67-0025	67-0125	67-0225		151	23	127	64	38	10	20	11.2	3	30	M4	1/8"	1/4"	8	7	19
	67-0725	67-0325	67-0425	67-04251	167	23	143	80	38	10	20	11.2	3	30	M4	1/8"	1/4"	8	7	19
	67-24251				183	23	159	96	38	10	20	11.2	3	30	M4	1/8"	1/4"	8	7	19
3	67-003	67-013	67-023		171	27	143	66	42	12	24	13.5	4	34	M5	1/4"	1/4"	11	7	20
	67-073				187	27	159	82	42	12	24	13.5	4	34	M5	1/4"	1/4"	11	7	20
	67-083	67-093	67-0931		191	30	159	82	42	14	24	16	5	34	M5	1/4"	1/4"	11	7	20
	67-1931	67-2931			196	31	164	82	42	14	24	16	5	34	M5	1/4"	1/4"	11	7	20

Motor size	Series 67- Type				Dimensions of Flange (mm)								Dimensions of Bracket (mm)						
					B3	E1	E2	E3	E4	E5	E6	F1	F2	F3	F4	F5	F6	F7	
2.5	67-0025	67-0125	67-0225		20	5	5.8	60	50	5.5	17	30	20	30	6.6	4.5	45	55	
	67-0725	67-0325	67-0425	67-04251	20	5	5.8	60	50	5.5	17	30	20	30	6.6	4.5	45	55	
	67-24251				20	5	5.8	60	50	5.5	17	30	20	30	6.6	4.5	45	55	
3	67-003	67-013	67-023		24	6	6.8	65	55	5.5	21	30	20	30	6.6	4.5	50	60	
	67-073				24	6	6.8	65	55	5.5	21	30	20	30	6.6	4.5	50	60	
	67-083	67-093	67-0931		24	6	6.8	65	55	5.5	21	30	20	30	6.6	4.5	50	60	
	67-1931	67-2931			24	6	6.8	65	55	5.5	21	30	20	30	6.6	4.5	50	60	

300 W HIGH TORQUE STAINLESS STEEL MOTORS

Motor size 3 with high torque		reversible				
Series 67-  II 2 GD c IIC Type T6 (80°C)	order no.	67-313	67-323	67-373	67-413	67-423
		444560 I	444560 L	444560 M	444560 N	444560 O
Nominal-Power	W / HP	285 / 0.38	285 / 0.38	280 / 0.37	280 / 0.37	280 / 0.37
Nominal-Speed	rpm	85	40	25	13	7
Speed (Idling)	rpm	170	80	50	26	14
Nominal-Torque	Nm / in.lbs	32 / 283.2	62 / 548.7	110 / 973.5	210 / 1858.5	410 / 3628.5
Start-Torque min.	Nm / in.lbs	47 / 416	92 / 814	162 / 1433.7	320 / 2832	615 / 5442.8
Air Consumption	m ³ /min / cfm	0.47 / 16.6	0.47 / 16.6	0.47 / 16.6	0.47 / 16.6	0.47 / 16.6
Weight	kg / lbs	2.7 / 5.9	2.6 / 5.7	2.9 / 6.4	3.5 / 7.7	3.5 / 7.7
Hose I.D.	mm / in.	10 / ³ / ₈	10 / ³ / ₈	10 / ³ / ₈	10 / ³ / ₈	10 / ³ / ₈

Performance data relate to an air pressure of 6 bar (85 PSI)

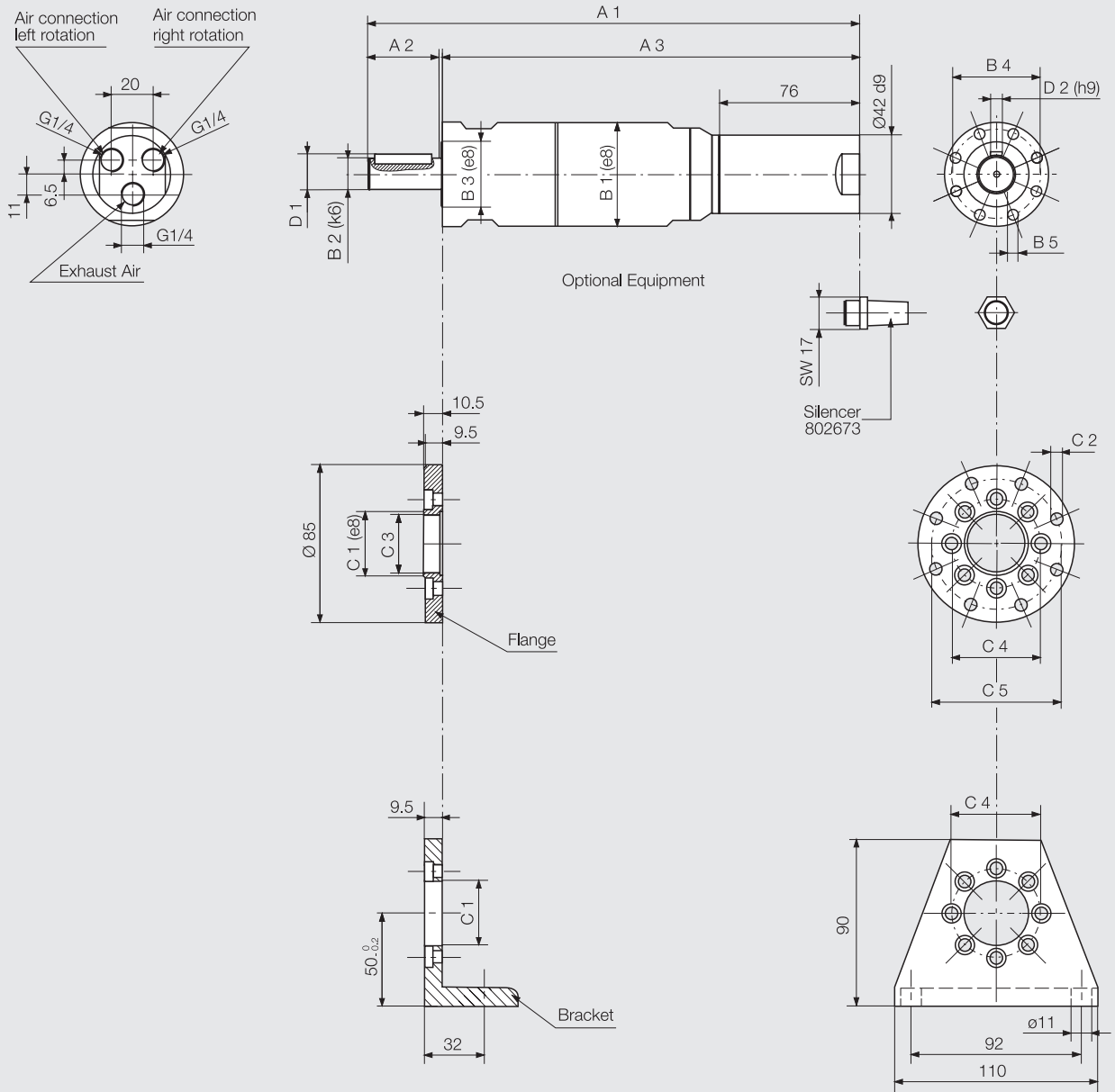
Allowable shaft loading see page 24.

Optional Equipment:		Motor size 3 Type 67-313 to 67-373	Motor size 3 Type 67-413 to 67-423
Flange necessary cylinder-screws	order no. order no.	413462 823148 (8 pieces)*	413463 823545 (6 pieces)*
Bracket necessary cylinder-screws	order no. order no.	4446172 823148 (8 pieces)*	4446173 823545 (6 pieces)*
Silencer: motor operates in one direction (right or left rotation)			
1 Hose nozzle	order no.	410541 (1/4")	410541 (1/4")
2 Silencer	order no.	802673 (1/4")	802673 (1/4")
Silencer: motor is reversible (right and left rotation)			
2 Hose nozzles	order no.	410541 (1/4")	410541 (1/4")
1 Silencer	order no.	802673 (1/4")	802673 (1/4")

* no. of cylinder screws required

Further notes for soundproofing see page 25.

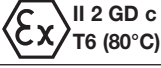
Motor size 3 High torque stainless steel motors
Series 67-
 reversible



p444204

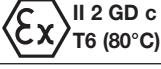
Motor size	Series 67- Type		Dimensions of Motor (mm)														
			A1	A2	A3	B1	B2	B3	B4	B5	C1	C2	C3	C4	C5	D1	D2
3	67-313	67-323	254.1	42	210.1	56	19	35	48	M6	35	6.6	32	48	70	21.5	6
	67-373		269.9	42	225.9	56	19	35	48	M6	35	6.6	32	48	70	21.5	6
	67-413	67-423	279.2	45	232.2	63	24	34	45	M8	34	8.4	30	45	70	27	8

200 W / 300 W STAINLESS STEEL MOTORS WITH INTEGRATED HOLDING BRAKE

Motor size 2.5 with holding brake		reversible					
Series 67- ATEX conform	 Type order no.	67-0025 B 4457602B	67-0125 B 4457602C	67-0225 B 4457602D	67-0725 B 4457602F	67-0325 B 4457602E	67-0425 B 4457602A
Series 67-	Type order no.	67-0025 B 445760 B	67-0125 B 445760 C	67-0225 B 445760 D	67-0725 B 445760 F	67-0325 B 445760 E	67-0425 B 445760 A
Nominal-Power	W / HP	200 / 0.27	200 / 0.27	200 / 0.27	200 / 0.27	200 / 0.27	200 / 0.27
Nominal-Speed	rpm	7250	2300	1200	700	350	160
Speed (idling)	rpm	14500	4600	2400	1400	700	320
Nominal-Torque	Nm / in.lbs	0.26 / 2.3	0.8 / 7.1	1.6 / 14	2.7 / 24	5.4 / 48	12 / 106
Start Torque min.	Nm / in.lbs	0.4 / 3.5	1.2 / 11	2.4 / 21	4.1 / 36	8.2 / 73	18 / 159
Stall-Torque	Nm / in.lbs	0.52 / 4.6	1.6 / 14.2	3.2 / 28	5.4 / 48	10.8 / 96	20 / 177*)
Brake-Torque	Nm / in.lbs	1 / 9	3.4 / 30	6.7 / 59	11.8 / 104	20 / 177*)	20 / 177*)
Air Consumption	m ³ /min / cfm	0.37 / 13	0.37 / 13	0.37 / 13	0.37 / 13	0.37 / 13	0.37 / 13
Weight	kg / lbs	1 / 2.2	1.05 / 2.3	1.05 / 2.3	1.15 / 2.5	1.15 / 2.5	1.15 / 2.5
Hose I.D.	mm / in.	10 / 3/8	10 / 3/8	10 / 3/8	10 / 3/8	10 / 3/8	10 / 3/8

Performance data relate to an air pressure of 6 bar (85 PSI)

*) max. admissible Torque

Motor size 3 with holding brake		reversible					
Series 67- ATEX conform	 Type order no.	67-003 B 4457622A	67-013 B 4457622B	67-023 B 4457622C	67-073 B 4457622D	67-083 B 4457622E	67-093 B 4457622F
Series 67-	Type order no.	67-003 B 445762 A	67-013 B 445762 B	67-023 B 445762 C	67-073 B 445762 D	67-083 B 445762 E	67-093 B 445762 F
Nominal-Power	W / HP	300 / 0.4	300 / 0.4	300 / 0.4	300 / 0.4	300 / 0.4	300 / 0.4
Nominal-Speed	rpm	7250	2300	1200	700	300	170
Speed (idling)	rpm	14500	4600	2400	1400	600	350
Nominal-Torque	Nm / in.lbs	0.4 / 3.5	1.2 / 11	2.4 / 21	4.1 / 36	9.6 / 85	16.9 / 149
Start Torque min.	Nm / in.lbs	0.6 / 5.3	1.9 / 17	3.6 / 32	6.1 / 54	14.3 / 126	25.3 / 224
Stall-Torque	Nm / in.lbs	0.8 / 7	2.4 / 21	4.8 / 42	8.2 / 72	19.2 / 170	33.8 / 299
Brake-Torque	Nm / in.lbs	1 / 9	3.4 / 30	6.7 / 59	11.8 / 104	20.6 / 182	36 / 318.6*)
Air Consumption	m ³ /min / cfm	0.47 / 17	0.47 / 17	0.47 / 17	0.47 / 17	0.47 / 17	0.47 / 17
Weight	kg / lbs	1.35 / 3	1.4 / 3.1	1.4 / 3.1	1.45 / 3.2	1.5 / 3.3	1.5 / 3.3
Hose I.D.	mm / in.	10 / 3/8	10 / 3/8	10 / 3/8	10 / 3/8	10 / 3/8	10 / 3/8

Performance data relate to an air pressure of 6 bar (85 PSI)

*) max. admissible Torque

A pressure regulator valve is included within our shipment of the ATEX conform brake motors. This safety valve turns off the air supply in the brake leads automatically when the pressure falls under 5 bar. This prevents an irregular temperatur increase.

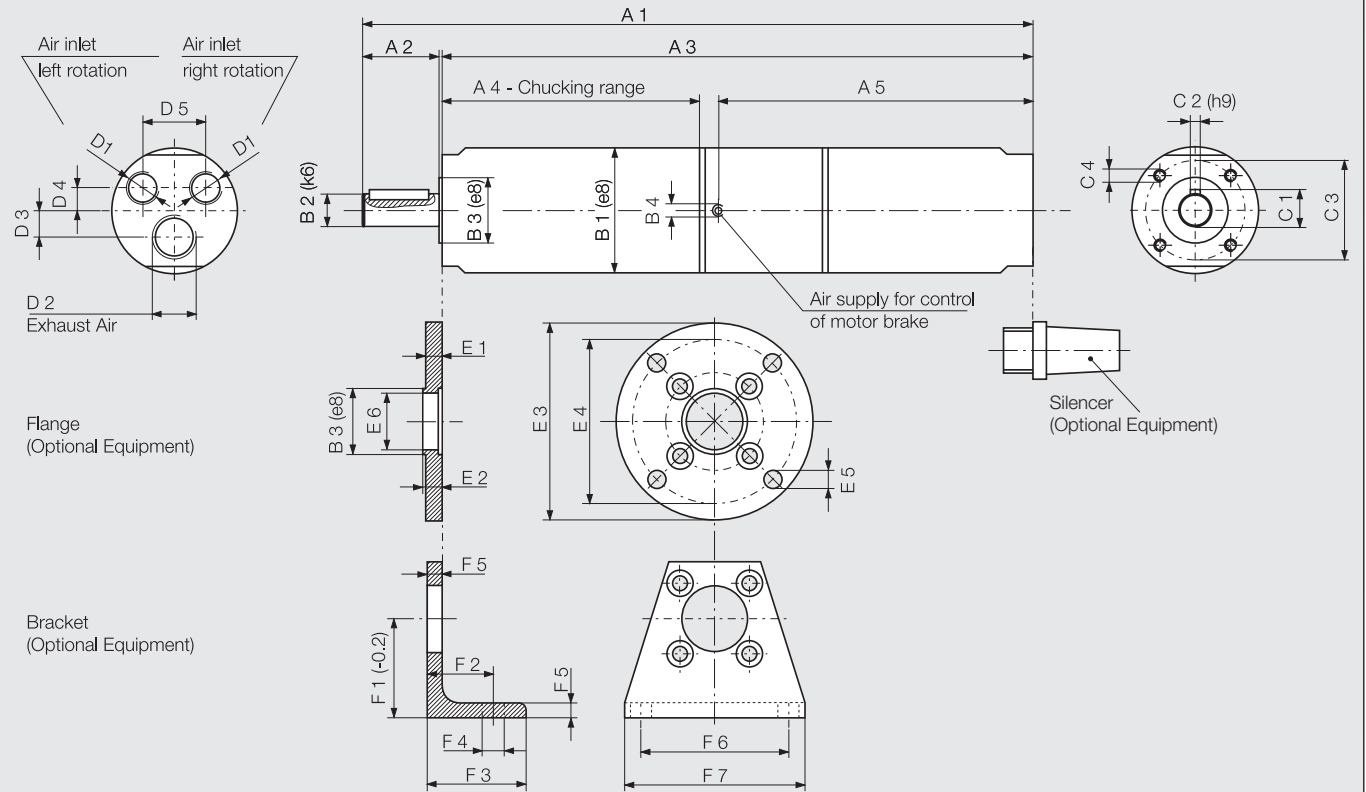
Allowable shaft loading see page 24.

Optional Equipment:		Motor size 2.5 Series 67-	Motor size 3 Series 67-
Flange necessary 4 cylinder-screws	order no. order no.	444530 823216	444610 823139
Bracket necessary 4 cylinder-screws	order no. order no.	444539 823216	444611 823139
Silencer: motor operates in one direction (right or left rotation)			
1 Hose nozzle	order no.	823238 (1/8")	410541 (1/4")
1 Silencer	order no.	802675 (1/8")	802673 (1/4")
1 Silencer	order no.	802673 (1/4")	802673 (1/4")
Silencer: motor is reversible (right and left rotation)			
2 Hose nozzles	order no.	823238 (1/8")	410541 (1/4")
1 Silencer	order no.	802673 (1/4")	802673 (1/4")

Further notes for soundproofing see page 25.

Motor size 2.5 with holding brake
Series 67-
 reversible

Motor size 3 with holding brake
Series 67-
 reversible



Motor size	Series 67- Type			Dimensions of Motor (mm)																	
				A1	A2	A3	A4	A5	B1	B2	B3	B4	C1	C2	C3	C4	D1	D2	D3	D4	D5
2.5	67-0025 B	67-0125 B	67-0225 B	194	23	170	64	98	38	10	20	M5	11.2	3	30	M4	1/8"	1/4"	8	7	19
	67-0725 B	67-0325 B	67-0425 B	210	23	186	80	98	38	10	20	M5	11.2	3	30	M4	1/8"	1/4"	8	7	19
3	67-003 B	67-013 B	67-023 B	215	27	187	66	110	42	12	24	M5	13.5	4	34	M5	1/4"	1/4"	11	7	20
	67-073 B			231	27	203	82	110	42	12	24	M5	13.5	4	34	M5	1/4"	1/4"	11	7	20
	67-083 B	67-093 B		235	30	203	82	110	42	14	24	M5	16	5	34	M5	1/4"	1/4"	11	7	20


Motor size	Series 67- Type			Dimensions of Flange (mm)								Dimensions of Bracket (mm)										
				B3	E1	E2	E3	E4	E5	E6	F1	F2	F3	F4	F5	F6	F7					
2.5	67-0025 B	67-0125 B	67-0225 B						20	5	5.8	60	50	5.5	17	30	20	30	6.6	4.5	45	55
	67-0725 B	67-0325 B	67-0425 B						20	5	5.8	60	50	5.5	17	30	20	30	6.6	4.5	45	55
3	67-003 B	67-013 B	67-023 B						24	6	6.8	65	55	5.5	21	30	20	30	6.6	4.5	50	60
	67-073 B								24	6	6.8	65	55	5.5	21	30	20	30	6.6	4.5	50	60
	67-083 B	67-093 B							24	6	6.8	65	55	5.5	21	30	20	30	6.6	4.5	50	60




Pressure Regulator Valve:

Included within our shipment of the ATEX conform brake motors.

600 W / 900 W STAINLESS STEEL MOTORS

Motor size 6		reversible							
Series 67-  II 2 GD c IIC T6 (80°C)	Type order no.	67-006 444570 A	67-016 444570 H	67-026 444570 B	67-036 444570 C	67-046 444570 D	67-056 444570 E	67-066 444570 F	67-0661 444570 G
Series 67- for Drill-Chuck	Type order no.	–	67-016B16 445353 H	67-026B16 445353 B	67-036B16 445353 C	67-046B16 445353 D	67-056B16 445353 E	67-066B16 445353 F	67-0661B16 445353 G
Nominal-Power	W / HP	600 / 0.8	600 / 0.8	600 / 0.8	600 / 0.8	600 / 0.8	600 / 0.8	600 / 0.8	300 / 0.4
Nominal-Speed	rpm	7000	1750	1350	850	315	240	150	75
Speed (idling)	rpm	14000	3500	2700	1700	630	480	300	150
Nominal-Torque	Nm / in.lbs	0.82 / 7	3.2 / 28	4.2 / 37	6.7 / 59	18 / 159	24 / 212	38 / 336	38 / 336
Start Torque min.	Nm / in.lbs	1.23 / 11	4.8 / 42	6.4 / 57	10.1 / 89	27 / 239	36 / 319	57 / 504	57 / 504
Air Consumption	m ³ /min / cfm	0.85 / 30	0.85 / 30	0.85 / 30	0.85 / 30	0.85 / 30	0.85 / 30	0.85 / 30	0.55 / 19
Weight	kg / lbs	2.2 / 4.8	2.3 / 5	2.3 / 5	2.3 / 5	2.6 / 5.7	2.7 / 5.9	2.7 / 5.9	2.7 / 5.9
Hose I.D.	mm / in.	12 / 1/2	12 / 1/2	12 / 1/2	12 / 1/2	12 / 1/2	12 / 1/2	12 / 1/2	12 / 1/2

Performance data relate to an air pressure of 6 bar (85 PSI)

Motor size 7		reversible							
Series 67-  II 2 GD c IIC T6 (80°C)	Type order no.	67-007 440066 A	67-017 440066 H	67-027 440066 B	67-037 440066 C	67-047 440066 D	67-057 440066 E	67-067 440066 F	
Nominal-Power	W / HP	900 / 1.2	900 / 1.2	900 / 1.2	900 / 1.2	900 / 1.2	900 / 1.2	900 / 1.2	
Nominal-Speed	rpm	6000	1750	1350	850	315	240	150	
Speed (idling)	rpm	12000	3500	2700	1700	630	480	300	
Nominal-Torque	Nm / in.lbs	1.4 / 12.4	4.9 / 43.4	6.3 / 55.7	10.1 / 89.4	27 / 238.9	35 / 309.7	57 / 504.5	
Start Torque min.	Nm / in.lbs	2.1 / 18.6	7.3 / 64.6	9.5 / 84.1	15.2 / 134.5	40 / 354	53 / 469	85 / 752	
Air Consumption	m ³ /min / cfm	1.4 / 49.4	1.4 / 49.4	1.4 / 49.4	1.4 / 49.4	1.4 / 49.4	1.4 / 49.4	1.4 / 49.4	
Weight	kg / lbs	2.5 / 5.5	2.6 / 5.7	2.6 / 5.7	2.6 / 5.7	2.9 / 6.4	3 / 6.6	3 / 6.6	
Hose I.D.	mm / in.	12 / 1/2	12 / 1/2	12 / 1/2	12 / 1/2	12 / 1/2	12 / 1/2	12 / 1/2	

Performance data relate to an air pressure of 6 bar (85 PSI)

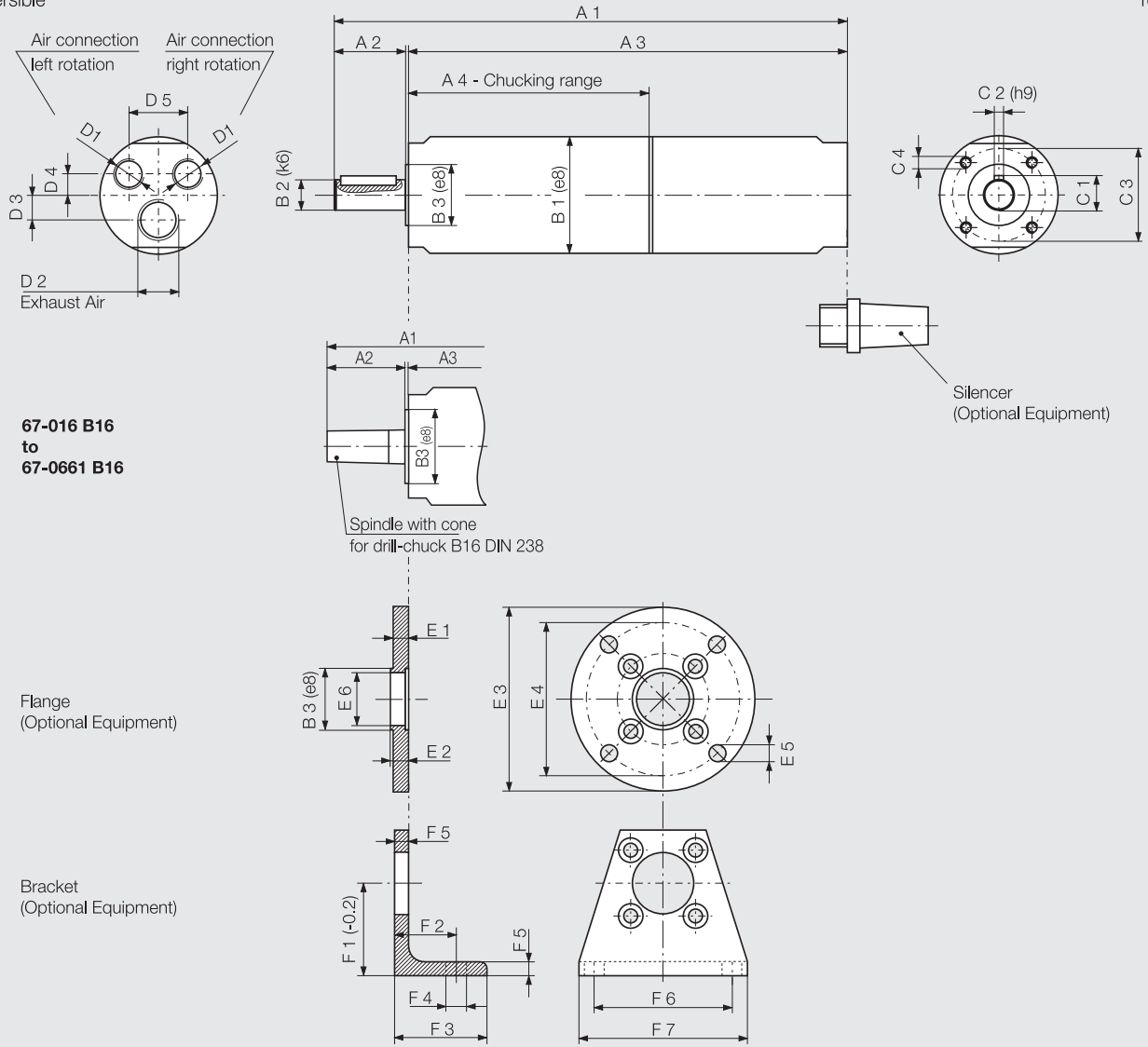
Allowable shaft loading see page 24.

Optional Equipment:		Motor size 6 Series 67-	Motor size 7 Series 67-
Flange necessary 4 cylinder-screws	order no. order no.	444616 823148	444616 823148
Bracket necessary 4 cylinder-screws	order no. order no.	444617 823148	444617 823148
Silencer: motor operates in one direction (right or left rotation)			
1 Hose nozzle	order no.	410540 (3/8")	410540 (3/8")
1 Silencer	order no.	802671 (3/8")	802671 (3/8")
1 Silencer	order no.	802666 (1/2")	802666 (1/2")
Silencer: motor is reversible (right and left rotation)			
2 Hose nozzles	order no.	410540 (3/8")	410540 (3/8")
1 Silencer	order no.	802666 (1/2")	802666 (1/2")
Drill-Chuck Range 1 - 13 mm / B 16	order no.	804652	–
Quick change chuck Range 1 - 13 mm / B 16	order no.	804663	–

Further notes for soundproofing see page 25.

Motor size 6
Series 67-
reversible

Motor size 7
Series 67-
reversible



67-016 B16
to
67-0661 B16


Flange
(Optional Equipment)

Bracket
(Optional Equipment)


Motor size	Series 67- Type				Dimensions of Motor (mm)															
					A1	A2	A3	A4	B1	B2	B3	C1	C2	C3	C4	D1	D2	D3	D4	D5
6	67-006	67-016	67-026	67-036	194	31	162	62.5	56	14	35	16	5	48	M6	3/8"	1/2"	14	12	24
	67-046				212	31	180	80.5	56	14	35	16	5	48	M6	3/8"	1/2"	14	12	24
	67-056	67-066	67-0661		217	36	180	80.5	56	19	35	21.5	6	48	M6	3/8"	1/2"	14	12	24
	67-016B16	67-026B16	67-036B16		201	37	162	62.5	56	-	35	-	-	48	M6	3/8"	1/2"	14	12	24
	67-046B16				219	37	180	80.5	56	-	35	-	-	48	M6	3/8"	1/2"	14	12	24
	67-056B16	67-066B16	67-0661B16		219	37	180	80.5	56	-	35	-	-	48	M6	3/8"	1/2"	14	12	24
7	67-007	67-017	67-027	67-037	214	31	182	62.5	56	14	35	16	5	48	M6	3/8"	1/2"	14	12	24
	67-047				232	31	200	80.5	56	14	35	16	5	48	M6	3/8"	1/2"	14	12	24
	67-057	67-067			237	36	200	80.5	56	19	35	21.5	6	48	M6	3/8"	1/2"	14	12	24

Motor size	Series 67- Type				Dimensions of Flange (mm)								Dimensions of Bracket (mm)						
					B3	E1	E2	E3	E4	E5	E6	F1	F2	F3	F4	F5	F6	F7	
6	67-006	67-016	67-026	67-036		35	7.5	8.5	85	70	6.6	32	40	25	50	6.6	5.5	70	85
	67-046					35	7.5	8.5	85	70	6.6	32	40	25	50	6.6	5.5	70	85
	67-056	67-066	67-0661			35	7.5	8.5	85	70	6.6	32	40	25	50	6.6	5.5	70	85
	67-016B16	67-026B16	67-036B16			35	7.5	8.5	85	70	6.6	32	40	25	50	6.6	5.5	70	85
	67-046B16					35	7.5	8.5	85	70	6.6	32	40	25	50	6.6	5.5	70	85
	67-056B16	67-066B16	67-0661B16			35	7.5	8.5	85	70	6.6	32	40	25	50	6.6	5.5	70	85
7	67-007	67-017	67-027	67-037		35	7.5	8.5	85	70	6.6	32	40	25	50	6.6	5.5	70	85
	67-047					35	7.5	8.5	85	70	6.6	32	40	25	50	6.6	5.5	70	85
	67-057	67-067				35	7.5	8.5	85	70	6.6	32	40	25	50	6.6	5.5	70	85

600 W / 900 W HIGH TORQUE STAINLESS STEEL MOTORS

Motor size 6		reversible			
Series 67-	 II 2 GD c IIC T6 (80°C) Type order no.	67-146	67-156	67-166	67-516
		444570 I	444570 K	444570 L	444570 M
Nominal-Power	W / HP	570 / 0.76	570 / 0.76	570 / 0.76	565 / 0.757
Nominal-Speed	rpm	75	55	37	20
Speed (idling)	rpm	150	110	74	40
Nominal-Torque	Nm / in.lbs	72 / 637.2	98 / 867.3	150 / 1327.5	265 / 2345.3
Start Torque min.	Nm / in.lbs	108 / 955.8	147 / 1301	225 / 1991.3	400 / 3540
Air Consumption	m ³ /min / cfm	0.85 / 30	0.85 / 30	0.85 / 30	0.85 / 30
Weight	kg / lbs	3.6 / 7.9	3.6 / 7.9	3.6 / 7.9	4.4 / 9.7
Hose I.D.	mm / in.	12 / 1/2	12 / 1/2	12 / 1/2	12 / 1/2

Performance data relate to an air pressure of 6 bar (85 PSI)

Motor size 7		reversible			
Series 67-	 II 2 GD c IIC T6 (80°C) Type order no.	67-147	67-157	67-167	67-517
		440066 I	440066 K	440066 L	440066 M
Nominal-Power	W / HP	860 / 1.15	860 / 1.15	860 / 1.15	850 / 1.14
Nominal-Speed	rpm	75	55	35	20
Speed (idling)	rpm	150	110	70	40
Nominal-Torque	Nm / in.lbs	110 / 973.5	150 / 1327.5	225 / 1991.3	400 / 3540
Start Torque min.	Nm / in.lbs	160 / 1416	220 / 1947	335 / 2964.8	600 / 5310
Air Consumption	m ³ /min / cfm	1.4 / 49.4	1.4 / 49.4	1.4 / 49.4	1.4 / 49.4
Weight	kg / lbs	3.8 / 8.4	3.9 / 8.6	3.9 / 8.6	4.7 / 10.3
Hose I.D.	mm / in.	12 / 1/2	12 / 1/2	12 / 1/2	12 / 1/2

Performance data relate to an air pressure of 6 bar (85 PSI)

Allowable shaft loading see page 24.

Optional Equipment:	Motor size 6 / 7		
		Type 67-146 to 67-166 Type 67-147 to 67-167	Type 67-516 Type 67-517
Flange necessary 4 cylinder-screws	order no. order no.	413462 823148 (8 pieces)*	413463 823545 (6 pieces)*
Bracket necessary 4 cylinder-screws	order no. order no.	4446172 823148 (8 pieces)*	4446173 823545 (6 pieces)*
Silencer: motor operates in one direction (right or left rotation)			
1 Hose nozzle	order no.	410540 (3/8")	
1 Silencer	order no.	802671 (3/8")	
1 Silencer	order no.	802666 (1/2")	
Silencer: motor is reversible (right and left rotation)			
2 Hose nozzles	order no.	410540 (3/8")	
1 Silencer	order no.	802666 (1/2")	

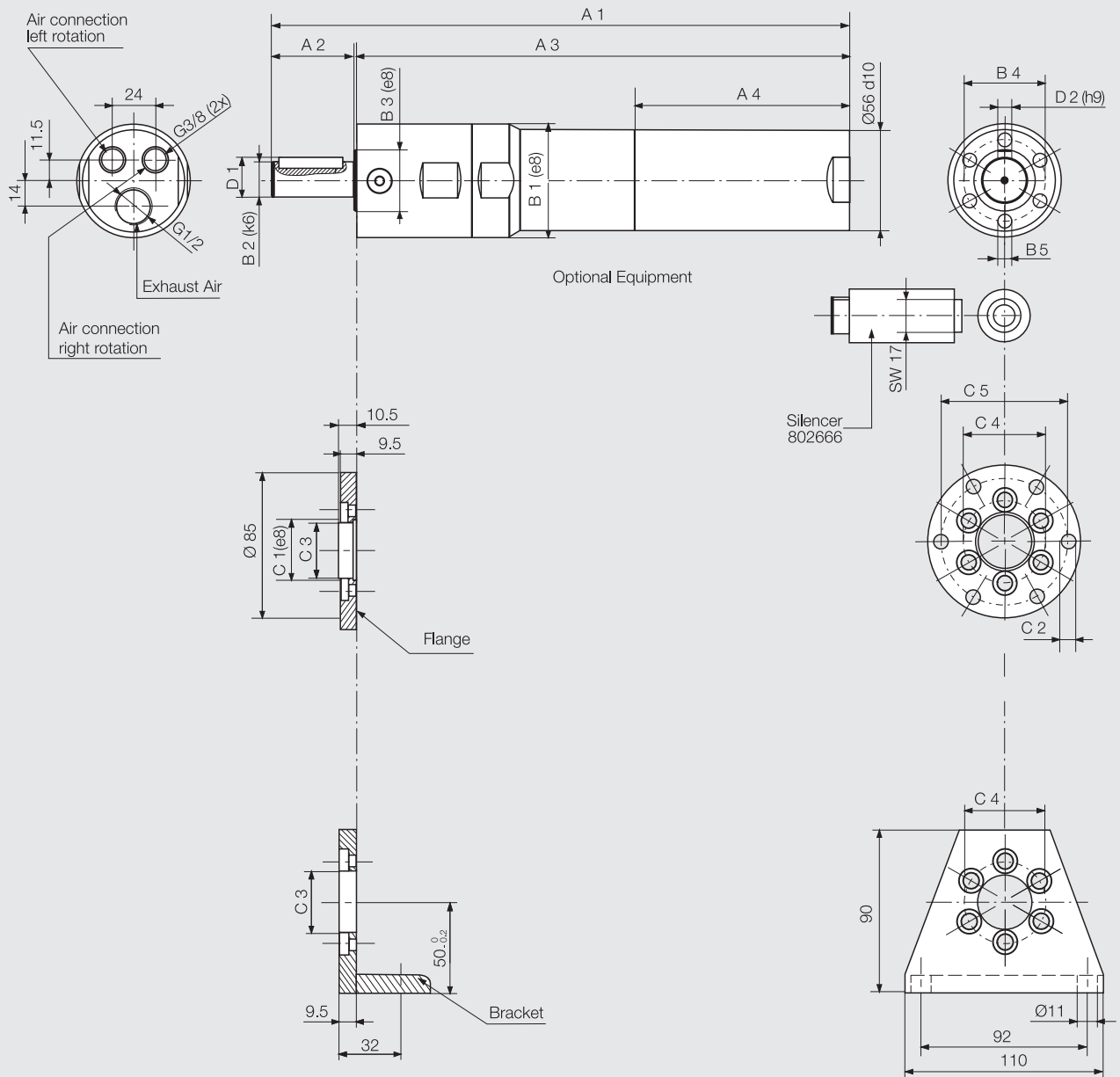
*no. of cylinder-screws required

Further notes for soundproofing see page 25.

Motor size 6 and 7 High torque stainless steel motors

Series 67-

reversible




p444338

Motor size	Series 67- Type			Dimensions of Motor (mm)															
				A1	A2	A3	A4	B1	B2	B3	B4	B5	C1	C2	C3	C4	C5	D1	D2
6	67-146	67-156	67-166	283.4	42	239.4	98.5	56	19	35	48	M6	35	6.6	32	48	70	21.5	6
	67-516			300.1	45	253.1	98.5	63	24	34	45	M8	36	8.4	32	45	70	27	8

Motor size	Series 67- Type			Dimensions of Motor (mm)															
				A1	A2	A3	A4	B1	B2	B3	B4	B5	C1	C2	C3	C4	C5	D1	D2
7	67-147	67-157	67-167	303.4	42	259.4	118.5	56	19	35	48	M6	35	6.6	32	48	70	21.5	6
	67-517			320.1	45	273.1	118.5	63	24	34	45	M8	36	8.4	32	45	70	27	8

1200 W STAINLESS STEEL MOTORS

Motor size 8		reversible					
Series 67-	 II 2 GD c IIC T5 (95°C) Type order no.	67-008	67-028	67-038	67-048	67-058	67-0581
		444580 A	444580 B	444580 C	444580 D	444580 E	444580 F
Nominal-Power	W / HP	1200 / 1.6	1200 / 1.6	1200 / 1.6	1200 / 1.6	1200 / 1.6	700 / 0.9
Nominal-Speed	rpm	4500	1250	550	350	160	100
Speed (idling)	rpm	9000	2500	1100	700	320	200
Nominal-Torque	Nm / in.lbs	2.5 / 22	9.2 / 81	21 / 186	33 / 292	71 / 628	66.9 / 592
Start Torque min.	Nm / in.lbs	3.8 / 34	13.7 / 121	31 / 274	49 / 434	107 / 947	100 / 885
Air Consumption	m ³ /min / cfm	1.6 / 56	1.6 / 56	1.6 / 56	1.6 / 56	1.6 / 56	1.1 / 39
Weight	kg / lbs	5.9 / 13	6.1 / 13.4	6.1 / 13.4	6.7 / 14.7	6.7 / 14.7	6.7 / 14.7
Hose I.D.	mm / in.	19 / 3/4	19 / 3/4	19 / 3/4	19 / 3/4	19 / 3/4	19 / 3/4

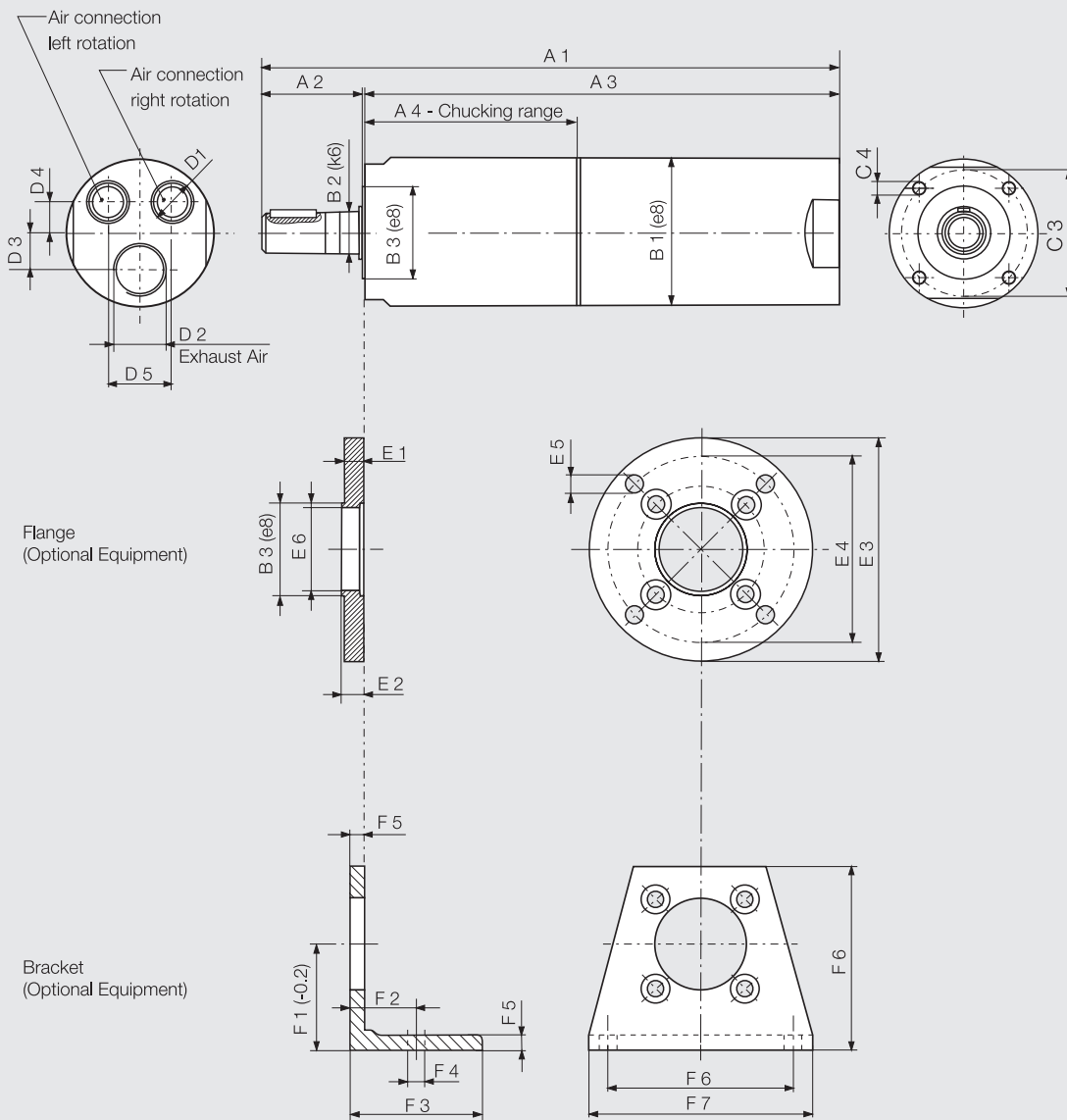
Performance data relate to an air pressure of 6 bar (85 PSI)

Allowable shaft loading see page 24.

Optional Equipment:	Motor size 8 Series 67-
Flange necessary 4 cylinder-screws	order no. 444627 order no. 823545
Bracket necessary 4 cylinder-screws	order no. 444628 order no. 823545
Silencer: motor operates in one direction (right or left rotation)	
1 Hose nozzle	order no. 410509 (1/2")
1 Silencer	order no. 802666 (1/2")
1 Silencer	order no. 822086 (3/4")
Silencer: motor is reversible (right and left rotation)	
2 Hose nozzles	order no. 410509 (1/2")
1 Silencer	order no. 822086 (3/4")

Further notes for soundproofing see page 25.

Motor size 8
Series 67-
reversible




p440236

Motor size	Series 67- Type			Dimensions of Motor (mm)															
				A1	A2	A3	A4	B1	B2	B3	C1	C2	C3	C4	D1	D2	D3	D4	D5
8	67-008	67-028	67-038	234.5	35	197	65	82	19	50	21.5	6	68	M8	1/2"	3/4"	22	12.5	39
	67-048	67-058	67-0581	268	60	205	73	82	28	50	31	8	68	M8	1/2"	3/4"	22	12.5	39

Motor size	Series 67- Type			Dimensions of Flange (mm)						Dimensions of Bracket (mm)										
				B3	E1	E2	E3	E4	E5	E6	F1	F2	F3	F4	F5	F6	F7			
8	67-008	67-028	67-038																	
	67-048	67-058	67-0581	50	10	11.5	115	100	9	46	60	35	50	11	9.5	92	110			

1200 W STAINLESS STEEL MOTORS WITH INTEGRATED HOLDING BRAKE – ATEX conform

Motor size 8 with holding brake		reversible					
Series 67- ATEX konform	 II 2 GD c IIC T5 (95°C)	Type order no.	67-008B 440097 A	67-028B 440097 B	67-038B 440097 C	67-048B 440097 D	67-058B 440097 E
Series 67- without ATEX authorization		Type order no.	67-008B 4400971A	67-028B 4400971B	67-038B 4400971C	67-048B 4400971D	67-058B 4400971E
Nominal-Power	W / HP		1200 / 1.6	1200 / 1.6	1200 / 1.6	1200 / 1.6	1200 / 1.6
Nominal-Speed	rpm		4500	1250	550	350	160
Speed (idling)	rpm		9000	2500	1100	700	320
Nominal-Torque	Nm / in.lbs		2.5 / 22	9.2 / 81	21 / 186	33 / 292	71 / 628
Start Torque min.	Nm / in.lbs		3.8 / 34	13.7 / 121	31 / 274	49 / 434	107 / 947
Stall-Torque	Nm / in.lbs		5 / 44	18.4 / 162	42 / 372	66 / 584	142 / 1256
Brake-Torque	Nm / in.lbs		6.2 / 55	23 / 204	52 / 460	83 / 735	177 / 1566
Air Consumption	m ³ /min / cfm		1.6 / 56	1.6 / 56	1.6 / 56	1.6 / 56	1.6 / 56
Weight (without pressure regulator valve)	kg / lbs		9 / 19.8	9.2 / 20.2	9.2 / 20.2	9.7 / 21.3	9.7 / 21.3
Hose I.D.	mm / in.		19 / 3/4	19 / 3/4	19 / 3/4	19 / 3/4	19 / 3/4

Performance data relate to an air pressure of 6 bar (85 PSI)

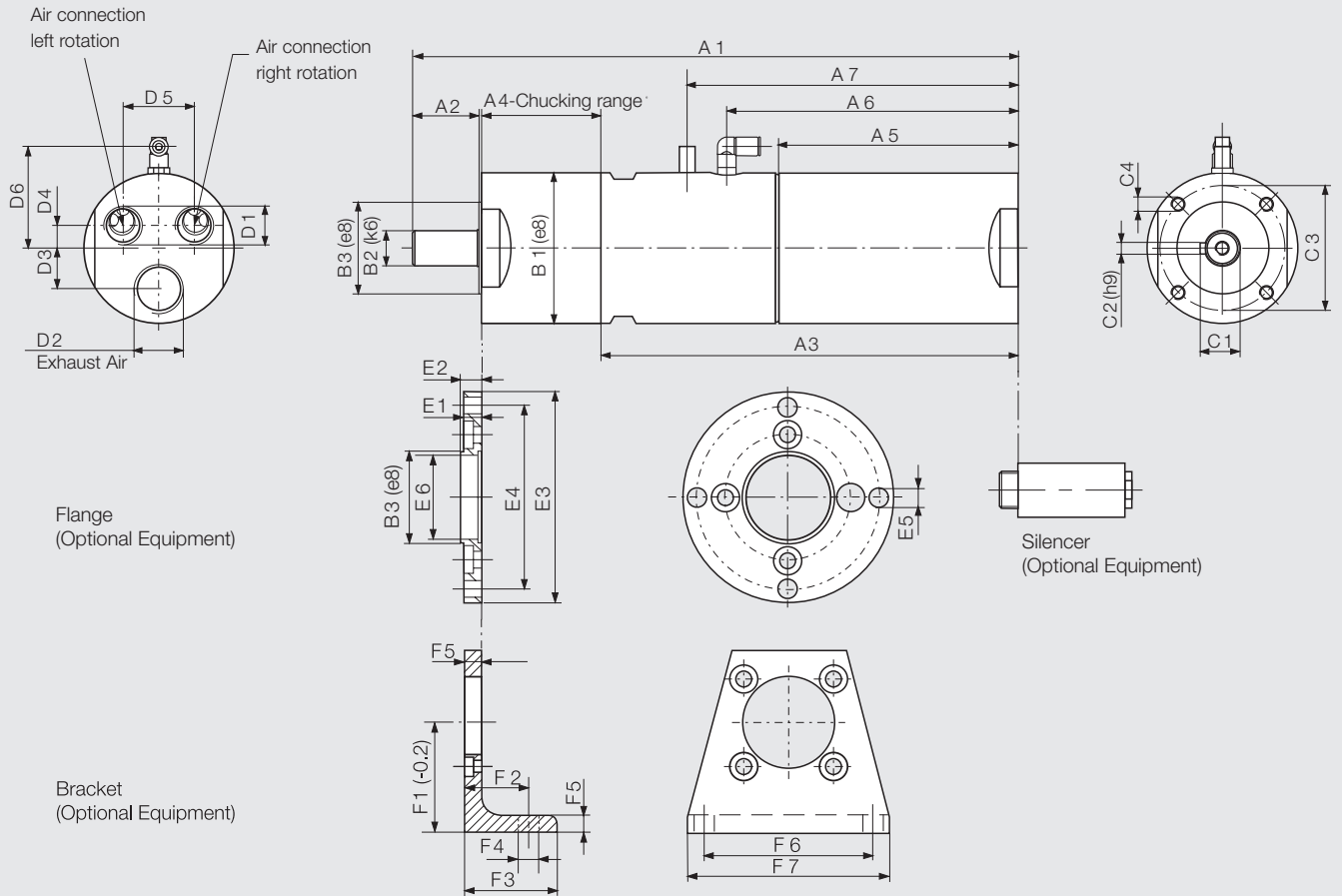
A pressure regulator valve is included within our shipment of the ATEX conform brake motors. This safety valve turns off the air supply in the brake leads automatically when the pressure falls under 5 bar. This prevents an irregular temperatur increase.

Allowable shaft loading see page 24.

Optional Equipment:		Motor size 8 Series 67-
Flange necessary 4 cylinder-screws	order no. order no.	444627 823545
Bracket necessary 4 cylinder-screws	order no. order no.	444628 823545
Silencer: motor operates in one direction (right or left rotation)		
1 Hose nozzle	order no.	410509 (1/2")
1 Silencer	order no.	802666 (1/2")
1 Silencer	order no.	822086 (3/4")
Silencer: motor is reversible (right and left rotation)		
2 Hose nozzles	order no.	410509 (1/2")
1 Silencer	order no.	822086 (3/4")

Further notes for soundproofing see page 25.

Motor size 8 with holding brake
Series 67-
 reversible



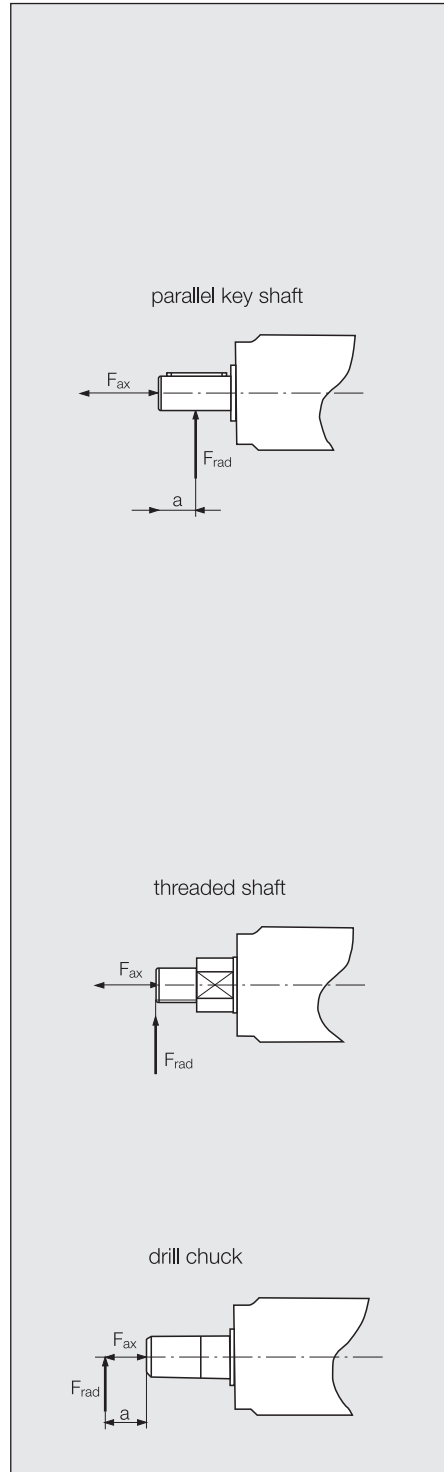
Motor size	Series 67- with holding brake Type			Dimensions of Motor (mm)																			
				A1	A2	A3	A4	A5	A6	A7	B1	B2	B3	C1	C2	C3	C4	D1	D2	D3	D4	D5	D6
8	67-008 B	67-028 B	67-038 B	330	35	227	65	130.5	159	180	82	19	50	21.5	6	68	M8	1/2"	3/4"	22	12.5	39	55.5
	67-048 B	67-058 B		363	60	227	73	130.5	159	180	82	28	50	31	8	68	M8	1/2"	3/4"	22	12.5	39	55.5
Motor size	Series 67- with holding brake Type			Dimensions of Flange (mm)						Dimensions of Bracket (mm)													
				B3	E1	E2	E3	E4	E5	E6	F1	F2	F3	F4	F5	F6	F7						
8	67-008 B	67-028 B	67-038 B			50	10	11.5	115	100	9	46					60	35	50	11	9.5	92	110
	67-048 B	67-058 B				50	10	11.5	115	100	9	46					60	35	50	11	9.5	92	110



Pressure Regulator Valve:

Included within our shipment of the ATEX conform brake motors.

Maximum allowable shaft load of the drive shaft



Motors with					
Motor size	order no.	order no. with holding brake	Fax [N]	Frad [N]	a [mm]
MG 0	445115 D, E		140	180	6
MG 0	445462 E		140	180	6
MG 1	445127 A-D		200	220	7
MG 2	444550 A-H		380	160	9
MG 2.5	444500 A-H	445760 A-F	570	720	12
MG 2.5	445184 A, B		1100	1200	22
MG 3	444560 A-D	445762 A-D	570	1130	14
MG 3	444560 E-H, K	445762 E, F	790	1070	15
MG 3	445183 A, B		1100	1200	22
MG 3	444560 I, L, M		1500	3500	21
MG 3	444560 N, O		1500	3500	20
MG 6	444570 A-D, H		1110	1300	15
MG 6	444570 E-G		1130	2090	18
MG 6	444570 I, K, L		1500	3500	21
MG 6	444570 M		1500	3500	22.5
MG 7	440066 A-D, H		1110	1300	15
MG 7	440066 E-F		1130	2090	18
MG 7	440066 I, K, L		1500	3500	21
MG 7	440066 M		1500	3500	22.5
MG 8	444580 A-C	440097 A-C, 4400971A-C	2330	2260	18
MG 8	444580 D-F	440097 D-E, 4400971D-E	2330	2700	30

Allowable force for 10 million spindle rotations with 90 % survival probability of bearing.

Motors with threaded spindle					
Motor size	order no.		Fax [N]	Frad [N]	a [mm]
MG 2	444950 A-H		380	110	0
MG 2.5	445314 A-L		570	450	0
MG 3	445682 A-D		570	860	0
MG 3	445682 E-H		790	820	0

Allowable force for 10 million spindle rotations with 90 % survival probability of bearing.

Motors with drill chuck					
Motor size	order no.		Fax [N]	Frad [N]	a [mm]
MG 6	445353 B-D, H		1100	150	80
MG 6	445353 E-G		1100	265	80

Allowable force for 10 million spindle rotations with 90 % survival probability of bearing.

TECHNICAL DATA

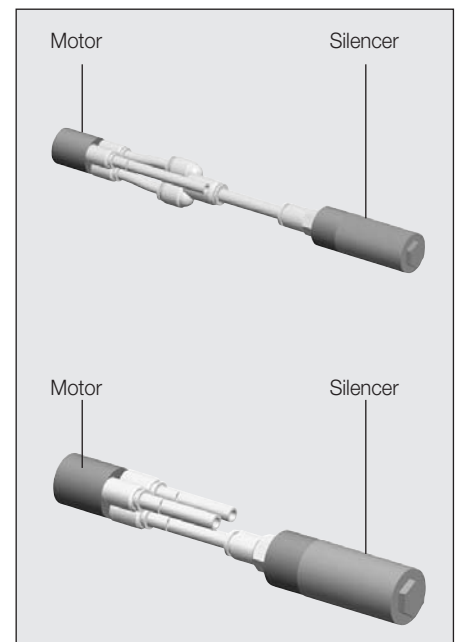
Noise level of the motors

Noise level for motors of the series 67 - without or with silencer (see optional equipment)			
for Motor size	Noise level dB (A) without silencer	Noise level dB (A) with silencer	order no. silencer
0	98	85	811355
1	95	85	823236
2	99	92	823236
2.5	100	82	802675 / 802673
3	103	91	802673
6	104	94	802671 / 802666
7	106	88	802671 / 802666
8	108	95	802666 / 822086

Optional Silencer sets for further reduction of the noise level

Silencer sets for motors of the build series 67 - Attachment for only one rotation direction (clockwise or anticlockwise rotation)			
for Motor size	order no.	Hose length mm	Noise level ca. dB (A)
1	446354 B	500	71
2	440015 B	500	70
2.5	440016 B	500	71
3	440018 B	500	70
6	440019 B	500	76
7	440019 B	500	79
8	440020 B	500	87

Silencer sets for motors of the build series 67 - Attachment adjustable (clockwise and anticlockwise rotation)			
for Motor size	order no.	Hose length mm	Noise level ca. dB (A)
1	446354 A	500	71
2	440015 A	500	70
2.5	440016 A	500	71
3	440018 A	500	70
6	440019 A	500	76
7	440019 A	500	79
8	440020 A	500	87



Use in potentially explosive environments



The correspondingly marked motors are suitable for use in potentially explosive environments.

Speed standard values (rpm) for HSS spiral drills

Cutting Speed	35 m/min (115 ft./min)	28 m/min (90 ft./min)	25 m/min (80 ft./min)	14 m/min (45 ft./min)	11 m/min (35 ft./min)	7 m/min (23 ft./min)	22 m/min (70 ft./min)	12 m/min (40 ft./min)	50 m/min (165 ft./min)	90 m/min (300 ft./min)	165 m/min (540 ft./min)	210 m/min (690 ft./min)
Drill dia. mm/in.	up to 500 N/mm ² (30 long tons/sq. in.)	Carbon steel		Alloy steel		Stainless steel	Cast-Iron		Copper Bronze Brass	Lightweight-Metal		Magnesium-Alloy ²⁾
		500 - 700 N/mm ² (30 - 45 long tons/sq. in.)	above 700 N/mm ² (45 long tons/sq. in.)	700 - 900 N/mm ² (45 - 55 long tons/sq. in.)	900 - 1100 N/mm ² (55 - 70 long tons/sq. in.)		up to 180 N/mm ² (10 long tons/sq. in.)	above 180 N/mm ² (10 long tons/sq. in.)		common alloy mild brass ¹⁾	hard	
1/0.04	11000	8800	7800	4400	3400	2200	7000	3800	16000	28000	52000	66000
2/5/64	5500	4400	3900	2200	1700	1100	3500	1900	8000	14000	26000	33000
3/1/8	3700	3000	2600	1500	1100	730	2300	1300	5300	9000	17300	22000
4/5/32	2800	2200	2000	1100	850	550	1700	950	4000	7000	13000	16500
5/13/64	2200	1800	1600	880	680	440	1400	760	3200	5600	10400	13200
6/15/64	1900	1500	1300	735	570	365	1200	630	2700	4800	8700	11000
7/ 9/32	1600	1300	1100	630	485	315	1000	540	2300	4000	7400	9400
8/5/16	1400	1100	975	550	425	275	875	475	2000	3500	6500	8300
9/23/64	1200	975	865	490	380	245	780	420	1800	3100	5800	7400
10/25/64	1100	880	780	440	340	220	700	380	1600	2800	5200	6600

1) Speed for machining of thermoset plastics, laminates and hard laminates, however instead of the HSS-drills we recommend high-speed steel drills maded with hard-metal K 10
2) for thermoplastics use approx. double the values

The layout of your air motor:

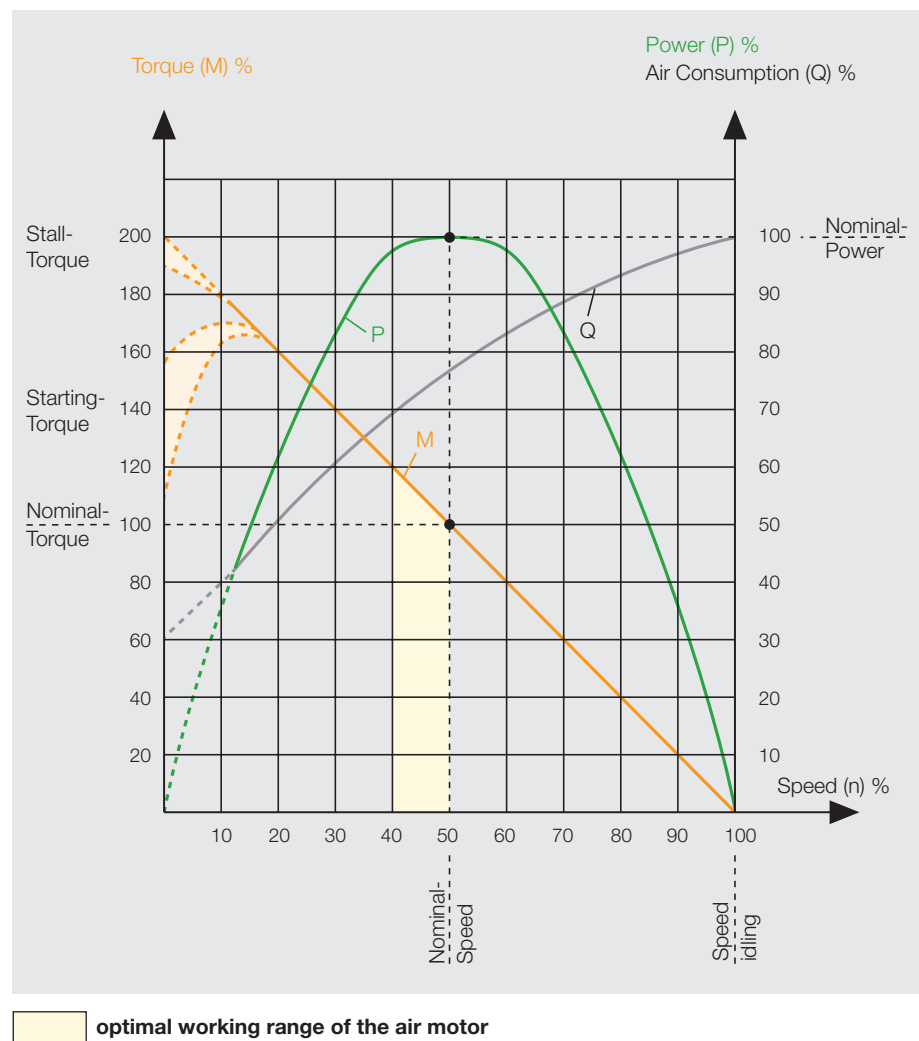
Calculating the motor power

$$P = \frac{M \times n}{9550}$$

P = Power Output in kW
M = Nominal Torque in Nm
n = Nominal Speed in rpm

The optimal working range of an air motor is close to the nominal speed. If you need lower speeds than are mentioned in the catalogue you can reduce the speed by throttling the exhaust air with only a slight loss of power. By throttling the supply air or decreasing the operating pressure the speed, torque and power are reduced.

All performance data of the DEPRAG air motors is based on operating pressure of 6 bar and the opening cross-section mentioned in the motor data. If your application conditions are different from this then you will find a comprehensive guide to the layout of our motors in brochure D 6000 E.



Do you need support in selecting the right drive system?

Tell us your operational conditions and our application consultants will be happy to help:

Application:	<input type="text"/>		
In what kind of environment will the motor be installed?	ATEX requirement / explosion safety? if yes, which safety class:	<input type="checkbox"/> yes	<input type="checkbox"/> no
	food industry conformity?	<input type="checkbox"/> yes	<input type="checkbox"/> no
	sterilisable?	<input type="checkbox"/> yes	<input type="checkbox"/> no
	acid resistant?	<input type="checkbox"/> yes	<input type="checkbox"/> no
	steam resistant?	<input type="checkbox"/> yes	<input type="checkbox"/> no
Application conditions:	constant operation (24 hrs, non-stop)	<input type="checkbox"/> yes	<input type="checkbox"/> no
	duty cycle in hrs/day:	<input type="text"/>	
	days/year:	<input type="text"/>	
	cycle time (s):	<input type="text"/>	
	motor loaded to stall?	<input type="checkbox"/> yes	<input type="checkbox"/> no
	self-locking?	<input type="checkbox"/> yes	<input type="checkbox"/> no
Required turn direction:	<input type="checkbox"/> left	<input type="checkbox"/> right	<input type="checkbox"/> reversible
	(view from air inlet)		
Motor performance:	power:	<input type="text"/>	W
	nominal torque:	<input type="text"/>	Nm
	nominal speed:	<input type="text"/>	rpm
Performance influencing application conditions:	operating pressure (at motor inlet):	<input type="text"/>	bar
	operation with lubricated air possible?	<input type="checkbox"/> yes	<input type="checkbox"/> no
	smallest opening cross-section of connection pieces and hoses?	<input type="text"/>	mm
External motor design:	<input type="checkbox"/> standard steel	<input type="checkbox"/> non-corrosive	<input type="checkbox"/> aluminium
	<input type="checkbox"/> plastics	<input type="checkbox"/> ceramics	
	other:	<input type="text"/>	
Drive spindle design:	drive shaft requirements:	<input type="text"/>	
	(e. g. keyed shafts, square end, hexagonal, collet, drill chuck taper, etc.)		
	required dimensions:	<input type="text"/>	
Motor fixture design:	mounting requirements: (bracket, flange, etc.)	<input type="text"/>	
	required dimensions:	<input type="text"/>	
Additional components:	<input type="checkbox"/> holding brake	<input type="checkbox"/> operational brake	
	gear box:	<input type="text"/>	
Price range:	<input type="text"/>		
Annual requirement:	<input type="text"/>		