

Composite Flow Control Valves with Banjo

Series PSCU - PMCU - PSVU - PMVU - PSCO - PMCO

Flow Control Valves

Composite Flow Control Valves with Banjo

Unidirectional and Bidirectional (Meter-out, Meter-in, Needle Orifice)

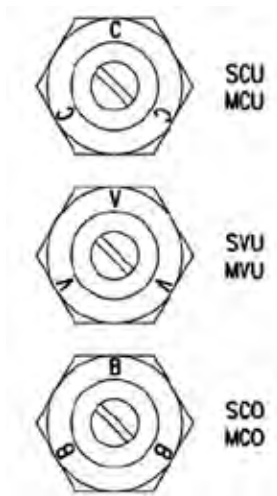
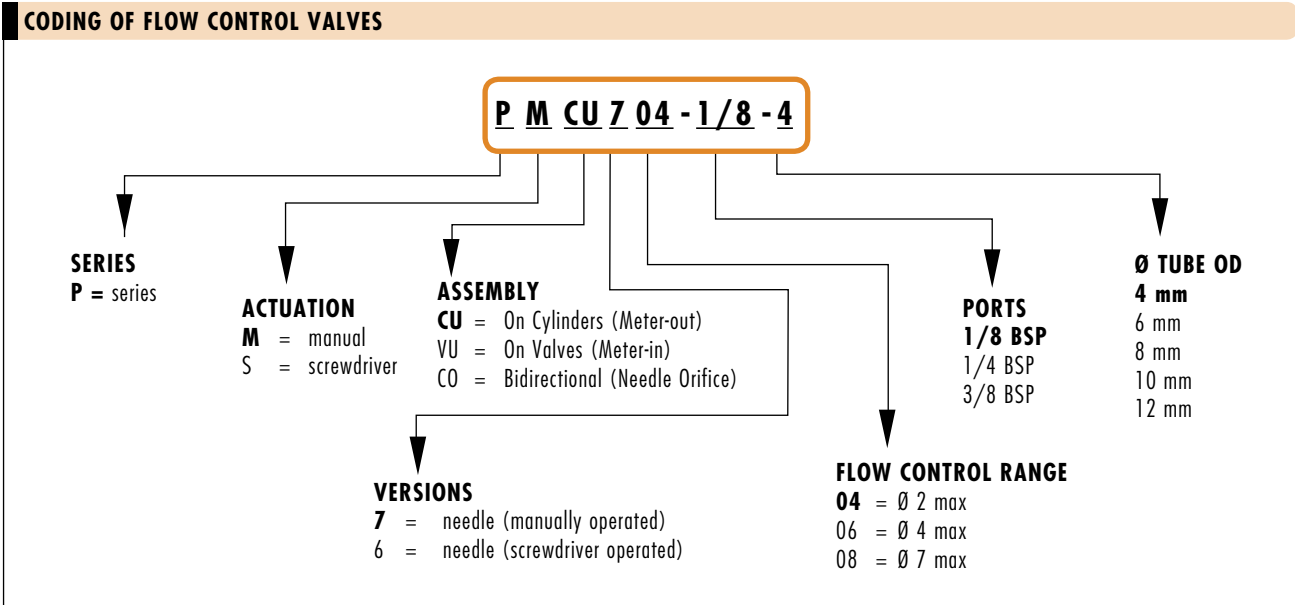
Ports G1/8, G1/4, G3/8 with metric mm O.D. tube connections



These unidirectional and bidirectional flow control valves are supplied complete with banjo and O-ring thread seal.

TECHNICAL SPECIFICATIONS

Construction	needle type
Valve group	unidirectional and bidirectional controller (Meter-out, Meter-in, Needle Orifice)
Materials	Nickel-plated brass body, regulation screw, collet and insert; technopolymer: banjo and controller; NBR seals
Mounting	by male thread
Ports	G1/8 - G1/4 - G3/8
Installation	in any position
Operating temperature	from 0 °C - 60°C (with dry air -20°C) (32°F — 175°F (with dry air -4°F))
Operating Pressure	1 - 10 bar
Nominal Pressure	6 bar
Nominal Flow	See graph
Nominal Diameter	G1/8 = 2 mm, G1/4 = 4 mm, G3/8 = 7mm
Fluid	Filtered Air, 25 micron or less

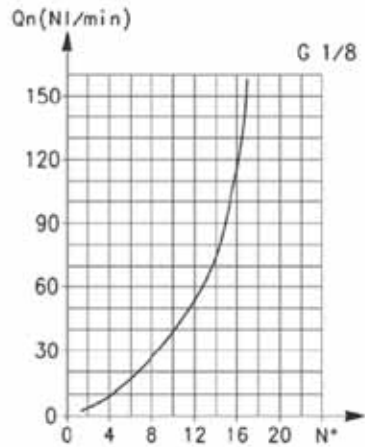


Identification of different types:
 SCU, MCU = Assembly directly on the cylinders
 SVU, MVU = Assembly directly on the valves
 SCO, MCO = Assembly directly on the cylinders or valves

Flow Control Valves with Banjo in Technopolymer

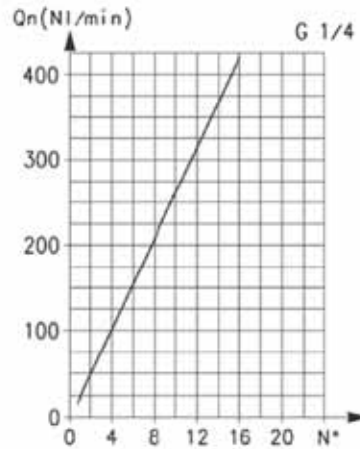
Unidirectional and bidirectional flow controllers

Regulated Flow All Models G 1/8



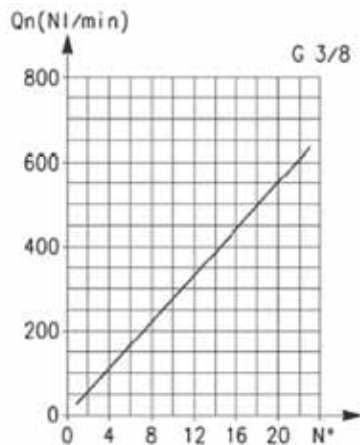
Flow QN (NL/Min.) from 2 to 1 with controller OPEN: 200
 Flow QN (NL/Min.) from 2 to 1 with controller CLOSED: 70
 QN is determined with the supply pressure of 6 bar and $\Delta P = 1$ bar at the outlet
 N° = number of screw turns

Regulated Flow All Models G 1/4



Flow QN (NL/Min.) from 2 to 1 with controller OPEN: 530
 Flow QN (NL/Min.) from 2 to 1 with controller CLOSED: 160
 QN is determined with the supply pressure of 6 bar and $\Delta P = 1$ bar at the outlet
 N° = number of screw turns

Regulated Flow All Models G 3/8



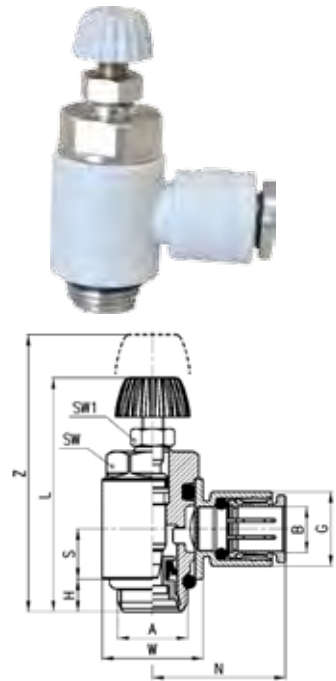
Flow QN (NL/Min.) from 2 to 1 with controller OPEN: 710
 Flow QN (NL/Min.) from 2 to 1 with controller CLOSED: 410
 QN is determined with the supply pressure of 6 bar and $\Delta P = 1$ bar at the outlet
 N° = number of screw turns

Valve Series PMCU (Meter-Out)

DIMENSIONS (in inches)

Mod.	A	OD		G	H	L	N	S	W	SW	SW1	Z
		B	G									
PMCU 704-1/8-4	G1/8	4	11.6	5	36.5	21	7.75	14	12	7	42.5	
PMCU 704-1/8-6	G1/8	6	11.6	5	36.5	21	7.75	14	12	7	42.5	
PMCU 704-1/8-8	G1/8	8	13.9	5	36.5	22.5	7.75	14	12	7	42.5	
PMCU 706-1/4-6	G1/4	6	13.9	6	42	24.5	9.25	18.6	15	7	48	
PMCU 706-1/4-8	G1/4	8	13.9	6	42	24.5	9.25	18.6	15	7	48	
PMCU 706-1/4-10	G1/4	10	16.1	6	42	27	9.25	18.6	15	7	48	
PMCU 708-3/8-10	G3/8	10	20.2	6	47.5	29	11	22	18	10	55.5	
PMCU 708-3/8-12	G3/8	12	20.2	6	47.5	29	11	22	18	10	55.5	

Note: All dimensions are identical for PMVU and PMCO models.

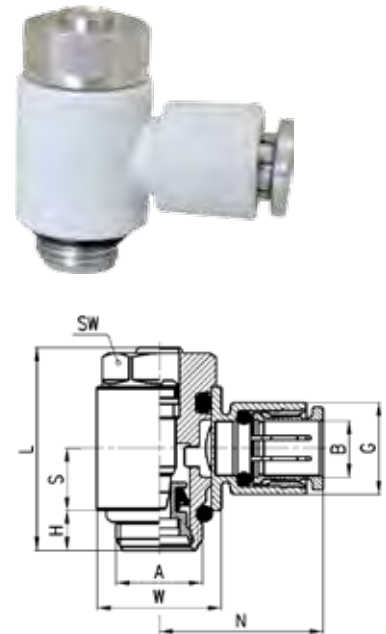


Valve Series PSCU (Meter-Out)

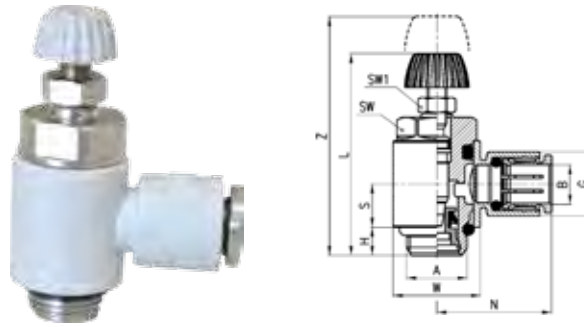
DIMENSIONS (in inches)

Mod.	A	OD		G	H	L	N	S	W	SW	SW1	Z
		B	G									
PSCU 604-1/8-4	G1/8	4	11.6	5	27	21	7.75	14	12	7	42.5	
PSCU 604-1/8-6	G1/8	6	11.6	5	27	21	7.75	14	12	7	42.5	
PSCU 604-1/8-8	G1/8	8	13.9	5	27	22.5	7.75	14	12	7	42.5	
PSCU 606-1/4-6	G1/4	6	13.9	6	30.5	24.5	9.25	18.6	15	7	48	
PSCU 606-1/4-8	G1/4	8	13.9	6	30.5	24.5	9.25	18.6	15	7	48	
PSCU 606-1/4-10	G1/4	10	16.1	6	30.5	27	9.25	18.6	15	7	48	
PSCU 608-3/8-10	G3/8	10	20.2	6	35.5	29	11	22	18	10	55.5	
PSCU 608-3/8-12	G3/8	12	20.2	6	35.5	29	11	22	18	10	55.5	

Note: All dimensions are identical for PSVU and PSCO models.



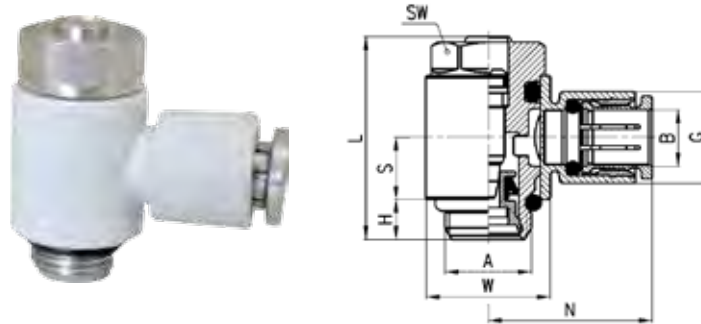
Valve Series PMVU (Meter-In)



DIMENSIONS (in inches)

Mod.	A	OD B	G	H	L	N	S	W	SW	SW1	Z
PMVU 704-1/8-4	G1/8	4	11.6	5	36.5	21	7.75	14	12	7	42.5
PMVU 704-1/8-6	G1/8	6	11.6	5	36.5	21	7.75	14	12	7	42.5
PMVU 704-1/8-8	G1/8	8	13.9	5	36.5	22.5	7.75	14	12	7	42.5
PMVU 706-1/4-6	G1/4	6	13.9	6	42	24.5	9.25	18.6	15	7	48
PMVU 706-1/4-8	G1/4	8	13.9	6	42	24.5	9.25	18.6	15	7	48
PMVU 706-1/4-10	G1/4	10	16.1	6	42	27	9.25	18.6	15	7	48
PMVU 708-3/8-10	G3/8	10	20.2	6	47.5	29	11	22	18	10	55.5
PMVU 708-3/8-12	G3/8	12	20.	6	47.5	29	11	22	18	10	55.5

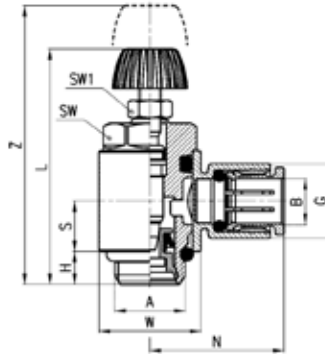
Valve Series PSVU (Meter-In)



DIMENSIONS (in inches)

Mod.	A	OD B	G	H	L	N	S	W	SW	SW1	Z
PSVU 604-1/8-4	G1/8	4	11.6	5	27	21	7.75	14	12	7	42.5
PSVU 604-1/8-6	G1/8	6	11.6	5	27	21	7.75	14	12	7	42.5
PSVU 604-1/8-8	G1/8	8	13.9	5	27	22.5	7.75	14	12	7	42.5
PSVU 606-1/4-6	G1/4	6	13.9	6	30.5	24.5	9.25	18.6	15	7	48
PSVU 606-1/4-8	G1/4	8	13.9	6	30.5	24.5	9.25	18.6	15	7	48
PSVU 606-1/4-10	G1/4	10	16.1	6	30.5	27	9.25	18.6	15	7	48
PSVU 608-3/8-10	G3/8	10	20.2	6	35.5	29	11	22	18	10	55.5
PSVU 608-3/8-12	G3/8	12	20.2	6	35.5	29	11	22	18	10	55.5

Valve Series PMCO (Needle Orifice)

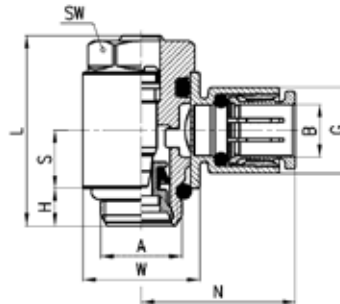


DIMENSIONS (in inches)

Mod.	A	OD B	G	H	L	N	S	W	SW	SW1	Z
PMCO 704-1/8-4	G1/8	4	11.6	5	36.5	21	7.75	14	12	7	42.5
PMCO 704-1/8-6	G1/8	6	11.6	5	36.5	21	7.75	14	12	7	42.5
PMCO 704-1/8-8	G1/8	8	13.9	5	36.5	22.5	7.75	14	12	7	42.5
PMCO 706-1/4-6	G1/4	6	13.9	6	42	24.5	9.25	18.6	15	7	48
PMCO 706-1/4-8	G1/4	8	13.9	6	42	24.5	9.25	18.6	15	7	48
PMCO 706-1/4-10	G1/4	10	16.1	6	42	27	9.25	18.6	15	7	48
PMCO 708-3/8-10	G3/8	10	20.2	6	47.5	29	11	22	18	10	55.5
PMCO 708-3/8-12	G3/8	12	20.	6	47.5	29	11	22	18	10	55.5

Note: All dimensions are identical for PMVU and PMCO models.

Valve Series PSCO (Needle Orifice)



DIMENSIONS (in inches)

Mod.	A	OD B	G	H	L	N	S	W	SW	SW1	Z
PSCO 604-1/8-4	G1/8	4	11.6	5	27	21	7.75	14	12	7	42.5
PSCO 604-1/8-6	G1/8	6	11.6	5	27	21	7.75	14	12	7	42.5
PSCO 604-1/8-8	G1/8	8	13.9	5	27	22.5	7.75	14	12	7	42.5
PSCO 606-1/4-6	G1/4	6	13.9	6	30.5	24.5	9.25	18.6	15	7	48
PSCO 606-1/4-8	G1/4	8	13.9	6	30.5	24.5	9.25	18.6	15	7	48
PSCO 606-1/4-10	G1/4	10	16.1	6	30.5	27	9.25	18.6	15	7	48
PSCO 608-3/8-10	G3/8	10	20.2	6	35.5	29	11	22	18	10	55.5
PSCO 608-3/8-12	G3/8	12	20.2	6	35.5	29	11	22	18	10	55.5

Note: All dimensions are identical for PSVU and PSCO models.