

Series 1 and 4

1/4" Ported Manually Operated Valves

Cv = 1.3

3-way/2-position, 5-way/2-position and
5-way/3-position
Ports 1/4" NPTF

The Series 1 manual valves (1/4", 3-way/2-position and 5-way/2-position) and the Series 4 manual valves (1/4", 3-way/2-position, 5-way/2-position and 5-way/3-position) are available with actuators designed to satisfy different needs. For Series 4, the 3-way/2-position valves are normally closed when P is the inlet; they can also be normally open when R is the inlet. They can be operated with vacuum down to -0.9 bar (28" Hg). Additionally, the series 4 valves can be supplied with 2 different pressures into ports 3 and 5 if a cylinder requires different extend and retract forces. The series 1 valves offer a more rugged, compact design with steel operator interfaces.



TECHNICAL SPECIFICATIONS

Valve group	3-way/2-position, 5-way/2-position, 5-way/3position
Construction	Spool type Series 4, poppet type Series 1
Mounting	Mounting holes in valve body
Materials	Anodized body, Stainless steel spool, Buna-N seals, brass poppet (Series 1)
Threaded port sizes	1/4" NPTF
Installation	Manifold, or single panel mount
Operating temperature	32°F - 175°F, (dry air necessary down to -4° F)
Fluid	Filtered air (25 micron or less recommended)
Lubricant	Not required; otherwise only oil compatible with Buna-N, (-3° - 10° E) (ISOVG32-grade; 32 centistokes)

PNEUMATIC DATA

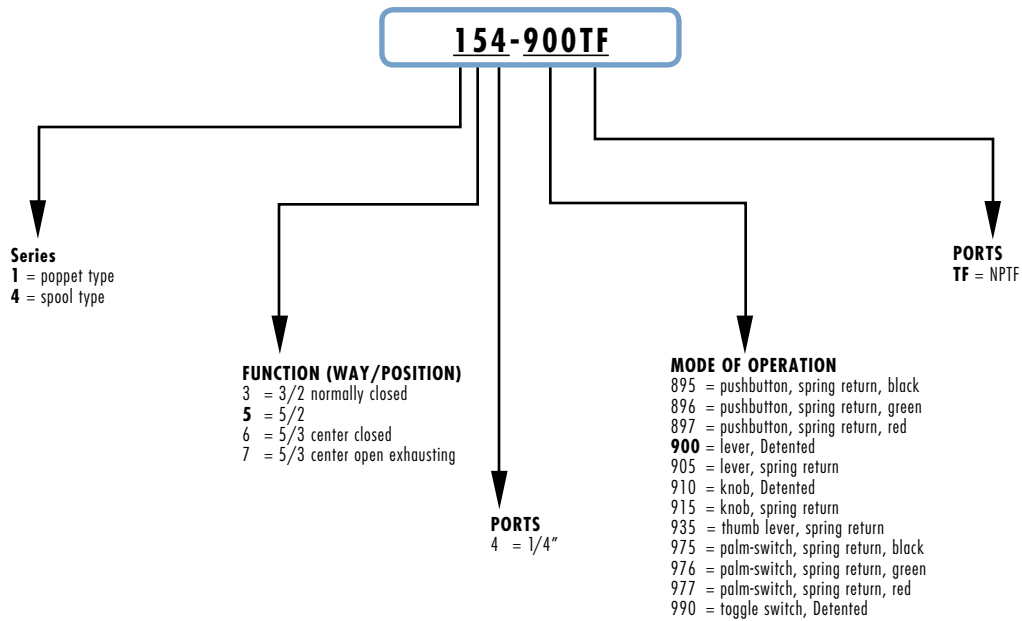
Operating pressure	0 - 10 bar, (0 - 145 psi); (Down to -0.9 bar vacuum; 28" Hg with Series 4)
Nominal pressure	6 bar, (87 psi)
Nominal flow (QN)	QN Series 1: 1/4"=1250 NL/min. (44.14 SCFM)
Nominal diameter	1/4" = 7.5 mm
	*Qn Series 4: 1/4"=1250 NL/min. (44.14 SCFM)
Cv Rating	Series 1: 1.3
	Series 4: 1.3

*Qn flowrate (SCFM) determined with a supply pressure of 6 bar (87 psi), and with a pressure drop of 1 bar (14.5 psi).

** Soft-seal repair kits are available on request.

***Dimensions are in millimeters

CODING OF MINIVALVES



Manually operated valves



Mod. 134-935TF



Mod. 134-900TF

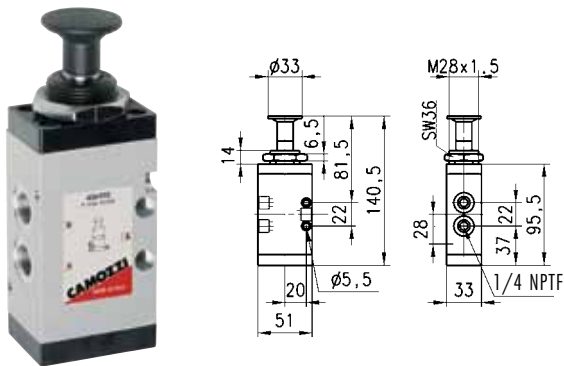


Mod. 154-900TF

Mod. 434-910TF
Mod. 434-915TFMod. 454-910TF
Mod. 454-915TFMod. 434-900TF
Mod. 434-905TFMod. 454-900TF
Mod. 454-905TFMod. 464-900TF
Mod. 464-905TFMod. 474-900TF
Mod. 474-905TF

Valves Mod. 434-910TF and 434-915TF Cv = 1.3

Mod. 434-910TF Actuation Force at 87 psi = 2.25 lbf
 Mod. 434-915TF Actuation Force at 87 psi = 8.3 lbf

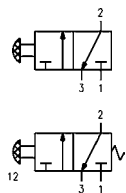


Mod.

434-910TF

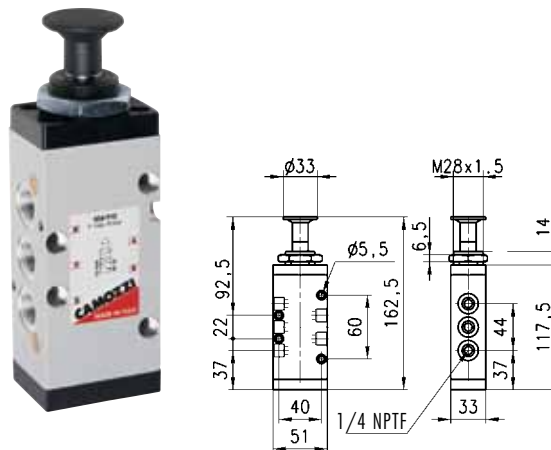
Mod.

434-915TF



Valves Mod. 454-910TF and 454-915TF Cv = 1.3

Mod. 454-910TF Actuation Force at 87 psi = 2.25 lbf
 Mod. 454-915TF Actuation Force at 87 psi = 8.3 lbf

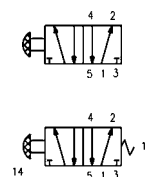


Mod.

454-910TF

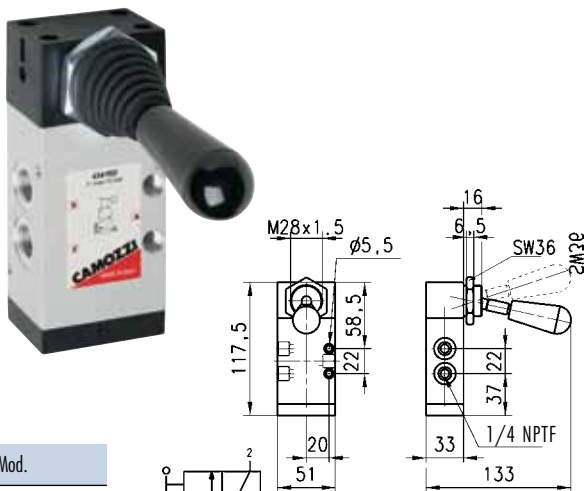
Mod.

454-915TF



Valves Mod. 434-900TF and 434-905TF Cv = 1.3

Mod. 434-900TF Actuation Force at 87 psi = 1.35 lbf
 Mod. 434-905TF Actuation Force at 87 psi = 8.3 lbf
 *Detent force can be adjusted by means of 5 spring-loaded screws on the side of handle interface

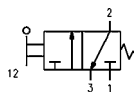


Mod.

434-900TF

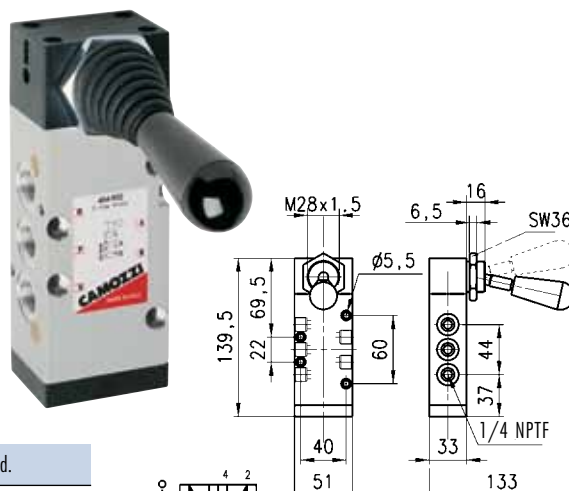
Mod.

434-905TF



Valves Mod. 454-900TF and 454-905TF Cv = 1.3

Mod. 454-900TF Actuation Force at 87 psi = 1.35 lbf
 Mod. 454-905TF Actuation Force at 87 psi = 8.3 lbf
 *Detent force can be adjusted by means of 5 spring-loaded screws on the side of handle interface

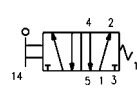


Mod.

454-900TF

Mod.

454-905TF

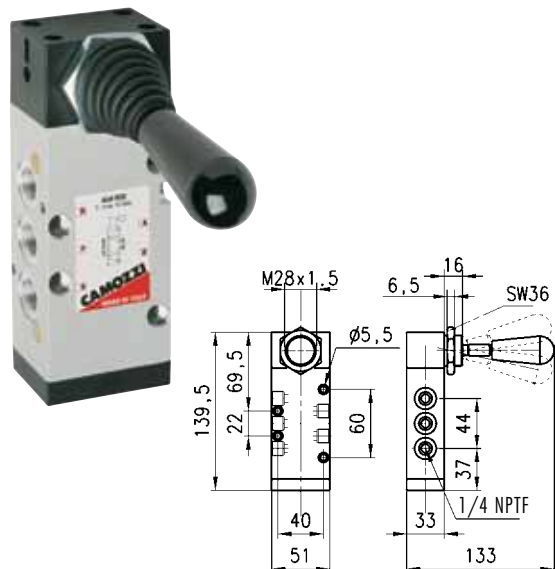


Valves Mod. 464-900TF

Cv = 1.3

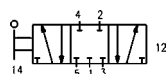
Actuation Force at 87 psi = 1.35 lbf

*Detent force can be adjusted by means of 5 spring-loaded screws on the side of handle interface



Mod.

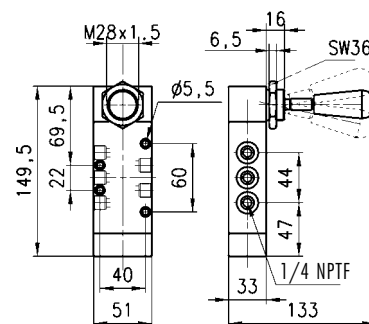
464-900TF



Valves Mod. 464-905TF

Cv = 1.3

Actuation Force at 87 psi = 2.25 lbf



Mod.

464-905TF

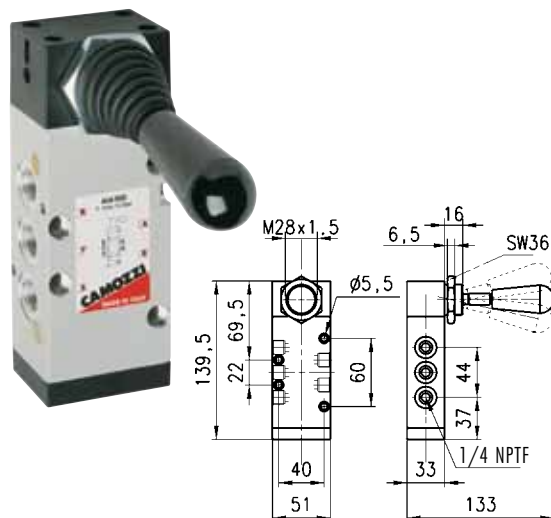


Valves Mod. 474-900TF

Cv = 1.3

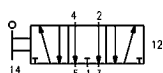
Actuation Force at 87 psi = 1.35 lbf

*Detent force can be adjusted by means of 5 spring-loaded screws on the side of handle interface



Mod.

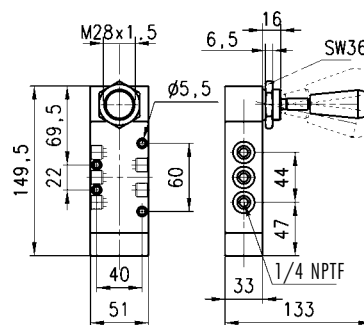
474-900TF



Valves Mod. 474-905TF

Cv = 1.3

Actuation Force at 87 psi = 2.25 lbf



Mod.

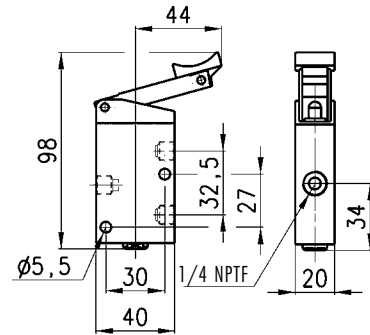
474-905TF



Valve Mod. 134-195TF

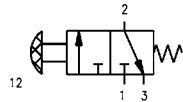
Cv = 1.3

Actuating force at 6 bar = 40N (9 lbf)
 Operating pressure = 0 - 10 bar (0-145 psi)
 Flow rate = 1250 NI/min. (44.1 SCFM)



Mod.

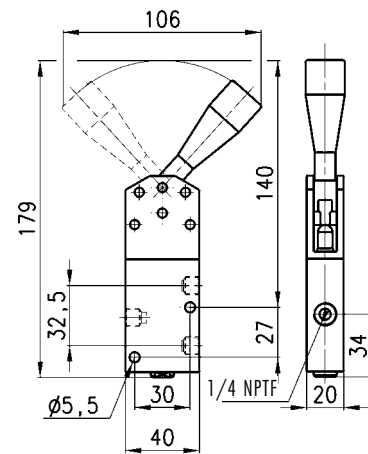
134-935TF



Valve Mod. 134-900TF

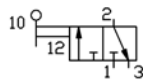
Cv = 1.3

Actuating force at 6 bar = 30N (6.7 lbf)
 Operating pressure = 0 - 10 bar (0 - 145 psi)
 Flow rate = 1250 NI/min. (44.1 SCFM)



Mod.

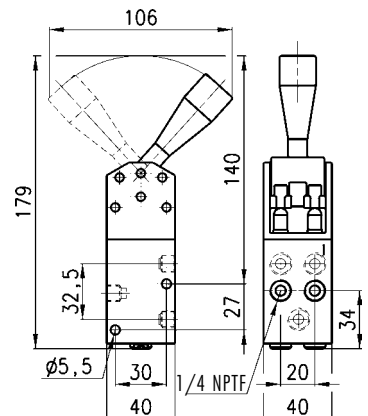
134-900TF



Valve Mod. 154-900TF

Cv = 1.3

Actuating force at 6 bar = 55N (12.3 lbf)
 Operating pressure = 0 - 10 bar (0-145 psi)
 Flow rate = 1250 NI/min. (44.1 SCFM)



Mod.

154-900TF

