

UNITED AUTOMATION, INC.

1491 N. KEALY, SUITE 4, LEWISVILLE, TEXAS 75057

PHONE (972) 420-1123 FAX (972) 420-1103

www.automation-dfw.com

Quick Reference Fitting Guide

For North American Fitting & Control Valves Catalog – Edition 8.0 (April 2009)

6000 Series Brass Nickel Plated Brass Fitting Guide:

No Prefix = On a threaded fitting, it indicates the standard length NPT style thread. You must apply a liquid or tape type of pipe sealant. One exception to this is on the 10/32 style thread. Accepts **INCH** size tube only. *See pages 6-23*

C = Prefix indicates NPT style threaded fitting with Teflon coated threads, no need for additional sealing materials. Accepts **INCH** size tube only. *See pages 6-23*

P = Prefix indicates **Pro-Fit** style fitting with a PTFE seal ring that can be installed into a female thread with either NPT, **BSPP**** or **BSPT** threads. Accepts **INCH** size tube only. *See pages 6-23*

S = Prefix indicates **Sprint** style fitting with a PTFE seal ring that can be installed into a female thread with either NPT, **BSPP**** or **BSPT** threads. Accepts **METRIC** size tube only. *See pages 40-59*

D = Prefix indicates **DOT** NPT style fitting, meets Department of Transportation requirements. *See pages 31-35*
Working Pressure 0-800PSI, with special -40 degree F fittings available on request.
For use with **DOT** approved **NYLON** tubing, accepts **INCH** size tube only.

NOTE: The exception to the **No Prefix** rule on the “**C**”, “**P**” and “**S**” series are the **TUBE-TO-TUBE** style fittings, in both inch and metric sizes.

7000 Series Composite Fitting Guide:

P = Prefix indicates **Pro-Fit** style fitting for **INCH** size tubing with a PTFE seal ring that has a Multiple sealant system that can be installed into a NPT or **BSP** female threaded port. *See pages 24-30*

No Prefix = On a threaded fitting, it indicates that it's for **METRIC** size tubing and the threads have a Buna-N spot face seal that can be installed into a NPT or **BSP** female threaded port *See pages 60 to 68*

NOTE: The exception to the **No Prefix** rule is on the **TUBE-TO-TUBE** style fittings, both in inch and metric sizes.

8000 Series Dual Seal Nickel Plated Brass Fitting Guide:

Pressure range up to **870 psi**, with two O-rings at tube connection.

Accepts **METRIC** size tubing and only available with **BSPP**** threads. *See page 70-73*

** **BSPP** (British Standard Pipe Parallel) thread fittings typically utilize an “O” ring type thread seal.

Pipe Fittings and Adapters

NPT Pipe Fittings and Adapters- *See page 36-39*

BSPP and BSPT Pipe Fittings and Adapters- *See page 74-85*

FYI Tubing Note: 4mm O.D. tubing is dimensionally the same as 5/32” O.D. tubing

8mm O.D. tubing is dimensionally the same as 5/16” O.D. tubing

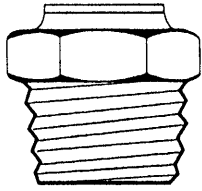
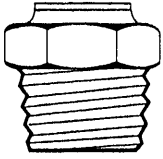
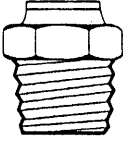
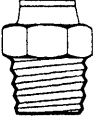
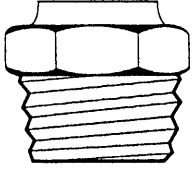
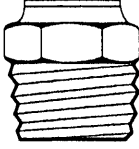
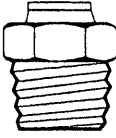
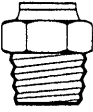
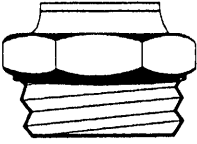
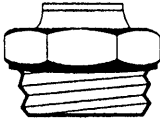






All other inch tubing size (1/8”, 1/4”, 3/8” and 1/2”) will not dimensionally interchange with metric sizes.

FYI Thread Note: You can assemble a 10/32” male threaded fitting into a female M5 thread, **however** it is not recommended to assemble an M5 male threaded fitting into a 10/32” female thread.

See front pages of catalog for NPT, BSPT and BSPP thread comparison.

NPT – BSPT – BSPP – METRIC

QUICK SIZING GUIDE

NPT	 1/2"	 3/8"	 1/4"	 1/8"
BSPT	 R1/2"	 R3/8"	 R1/4"	 R1/8"
BSPP	 G1/2"	 G3/8"	 G1/4"	 G1/8"
metric	 M7	 M5	 M3	 10-32 UNF

Note: Additional dimension information on the NPT, Unified, General Metric, British Standard Pipe, Japanese Standard and ISO Metric size threads can be found on pages 188 to 194 in this catalog.