



Wireless spindle
positioning system



PREVIEW SPRING 2017



STANDARD MACHINE ELEMENTS WORLDWIDE

elesa[®]

Wireless spindle positioning system



The wireless system, made of the control unit **UC-RF** and up to 36 electronic position indicators **DD52R-E-RF**, is designed for an efficient manual spindle positioning.

The position indicators **DD52R-E-RF** (Elesa Patent) are networked to the control unit **UC-RF** by radio frequency (RF) connection, so that connecting cables are not required for an easy and quick installation.

Current and target positions are transmitted by RF from and to the control unit, facilitating machine set up.

Efficient Machine Set-Up

The system saves time during the format alignment process.

- Once the setup profile has been called up by the PLC, the control unit UC-RF transmits the target position to each DD52R-E-RF position indicator.
- The current / target position is displayed on the LCD of the DD52R-E-RF.
- The operator manually sets the position of the spindles following the arrow displayed on the LCD (clockwise / counter clockwise rotation).
- Once all the spindles are correctly set, the UC-RF control unit communicates to the PLC of the machine that the setup has been completed.

Wireless Connection

Up to 36 position indicators can be networked (by radio frequency) to the control unit.

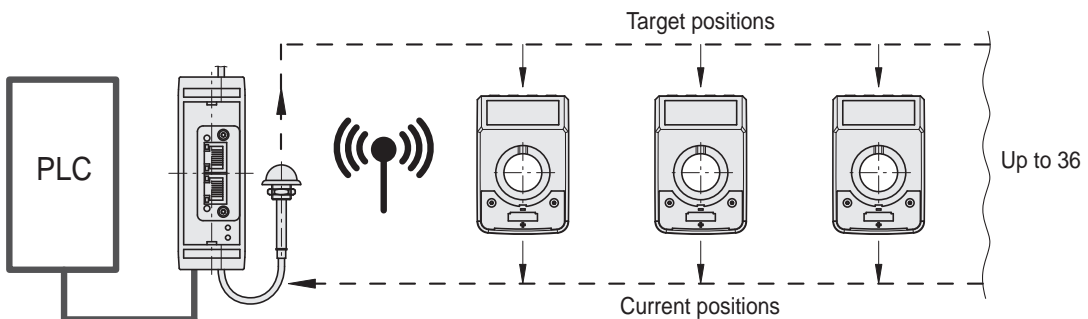
No cables required to connect the position indicators to the control unit.

Checking

Fast and efficient electronic check of manual spindle positions.

Safety

The system prevents the start of the machine until the set-up has been completed, so as not to result in a loss of production.



DD52R-E-RF | Electronic position indicators



- Wide LCD 6-digits display showing current / target positions
- Programmable parameters
- Battery life over 3 years

Orange or grey colour.

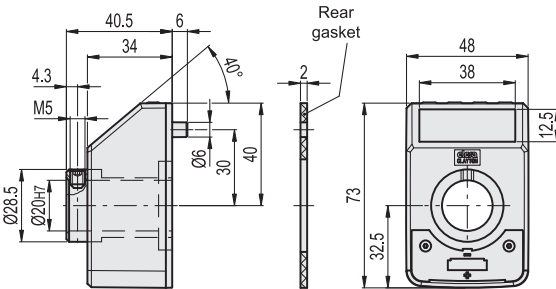
LCD display with values visualization in units of measure (mm, inches or degrees).

Absolute or incremental mode. Reading orientation.

The visualization parameters can be set by the operator.

Protection class IP67 according to IEC 529.

Boss Ø 20H7 in AISI 304 stainless steel.



UC-RF | Control unit for DD52R-E-RF



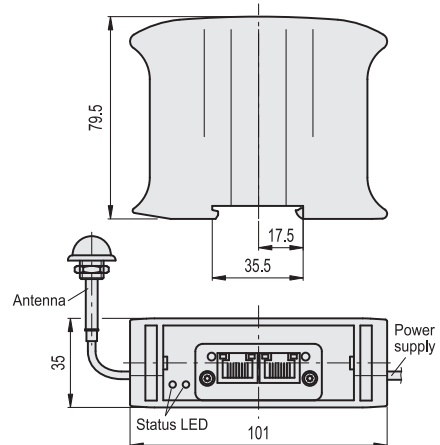
- Wireless RF network with up to 36 position indicators
- Compatible with DIN rails
- PLC Interfaces: RS232, RS485, Ethernet/IP, Profibus, Modbus

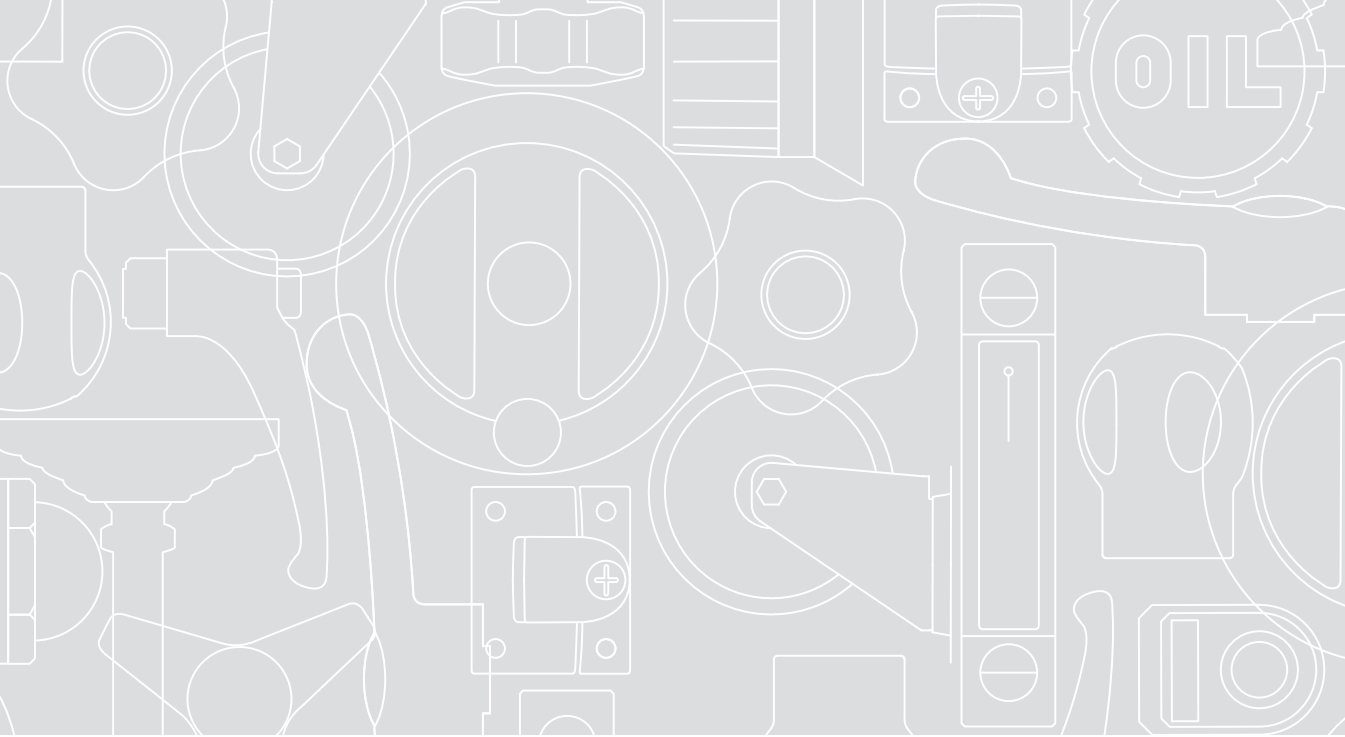


Self-extinguish technopolymer case.

Power supply 24V.

Two LED for status display





ELESA. More and more...



elesa

ELESA S.p.A.
Via Pompei, 29
20900 Monza (MB) Italy
phone +39 039 2811.1
fax +39 039 836351
info@elesa.com

elesa.com