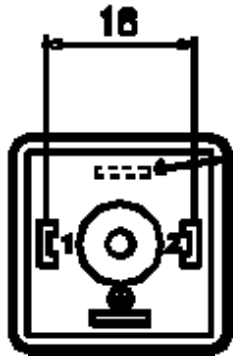


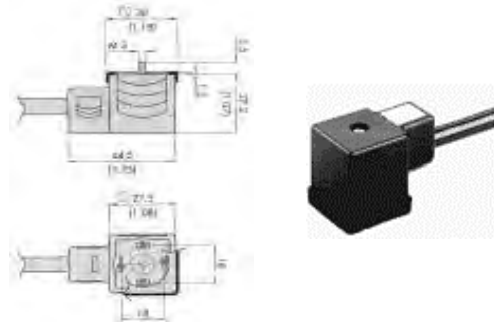
DIN 43650 , 18mm Pre-wired Molded Connectors For Solenoid Valve Applications



DUAL JUMPED GROUND PINS – Molded cable assemblies can be mounted with cable exiting the ground side or opposite.

\* Four wire units have one ground pin and 3 “U” shaped pins. Cable exit direction must be specified.

**Molded Cable Assemblies**  
Black PVC Cable & Connector



3 Pole (2 “U” pins & 2 Flat GNDs)

Part Numbers	Cable Length	Poles	
0 to 250 VAC/DC  Without LED & Suppression	3 Meter (9.8 Feet)	3	CG1-N02-000-C02-3N
	5 Meter (16.4 Feet)	3	CG1-N02-000-C02-5N
	3 Meter (9.8 Feet)	4*	CG1-N03-000-B01-3N
	5 Meter (16.4 Feet)	4*	CG1-N03-000-B01-5N
12 to 24 VAC/DC  With LED & Suppression	3 Meter (9.8 Feet)	3	CG1-N02-VL1-C02-3N
	5 Meter (16.4 Feet)	3	CG1-N02-VL1-C02-5N
110 to 120 VAC/DC  With LED & Suppression	3 Meter (9.8 Feet)	3	CG1-N02-VL2-C02-3N
	5 Meter (16.4 Feet)	3	CG1-N02-VL2-C02-5N

**Technical Information**

Connection Voltage	As Listed in Drawing	Cable Type	HO5VVF
Nominal Power	10A	Jacket Material	Black PVC
Test Voltage	250VAC - 300 VDC max.	Conductor Size	18/3 AWG
Insulation Group	VDC 0110 1/89 Class C	Conductor Color	Brn, Blue, (Black), Grn/Yel
Clamping Voltage 24V	42V	Nominal Cable OD	6.7mm
Clamping Voltage 110V	185V	Bend Radius	10 X Cable OD
Connector Material	Glass Reinforced Polypropylene	Center Screw	M3 x 28.7mm
Protection Rating	IP 67	Temperature Range	-5° to +70° C
Contact Resistance	≤ 4 mΩ		

