

Plastic-bodied limit switches

Biggy

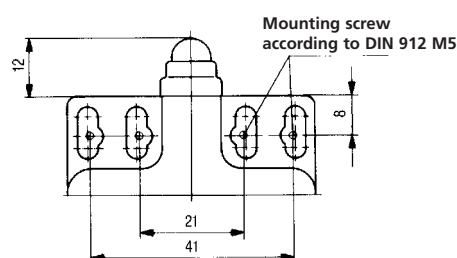
With four different mounting holes,
Protection class IP 65
Hinged snap lid
Two cable entries M 16 x 1.5



- Wide selection of actuators
- Snap action or slow make & break
- Galvanically separated contacts
- Forced disconnection of NC contacts (type dependant)
- Protection class IP 65
- Body and lid PA 6 which is self extinguishing (UL-94 V0) cover PC (UL-94 V0)
- 4 x 90° actuator positions
- Adjustment of the AH lever arm position in 90° increments
- Two cables entries M 16 x 1.5
- Terminals numbered in accordance with DIN EN 50013
- International approvals

Mounting

- Adjustable – two slots for M 4 screws (22 mm centres)
- Adjustable – two slots for M 4 screws (42 mm centres)
- Fixed – two holes for M 5 screws for safety applications (21 mm centres)



- Fixed - two holes for M 5 screws for safety applications (41 mm centres)

Benefits

- Two cable entries allow "through wiring"
- Hinged snap lid for quick and easy access (screwdriver release)
- Lid hinges open to 135° (can also be simply detached)
- Internal cover protects the contacts during mounting
- Screw terminals with self lifting clamps for easy wiring
- Transparent cover for easy adjustment and inspection



Options

- Contact lock (safety pull button reset)
- Contact LED display (LED protected within terminal chamber)
- Additional lid security with fixing screw

Accessory equipment page 53

Contact configuration

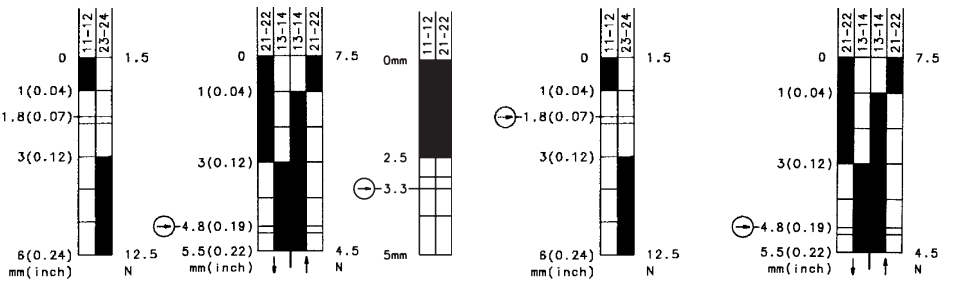
Contact type	Switch function	Switch contacts	Reference	Max. Voltage	Max. constant current
Slow make & break	Changeover	1NF/1NO	U1/U1Z	500 V	10 A
Snap action	Changeover	1NF/1NO	SU1Z	500 V	10 A
Slow make & break	Changeover	2NF	A2Z	400 V	5 A



Designation
Part number
 Circuit diagram
 ⊕ Forced disconnect to IEC 947-5-1 chapter 3
 Za: not galvanically separated contacts
 Zb: galvanically separated contacts
 Slow make & break/snap-action
 Internal seal (iw)/external seal (w)

BI-U1Z w	BI-SU1Z w	BI-A2Z w	BI-U1Z Riw	BI-SU1Z Riw
608.5103.001	608.5153.008	608.5803.036	608.5117.002	608.5167.009
⊕ Zb	⊕ Zb	⊕ Zb	⊕ Zb	⊕ Zb
●/-	-/●	-/●	●/-	-/●
w	w	w	iw	iw

Contact travel mm (inch) Tol. ± 0.25 mm
 Actuator force N Tol. ± 10%
 Actuator angle ° Tol. ± 3.5°
 Actuator torque Ncm Tol. ± 10%
 On Off



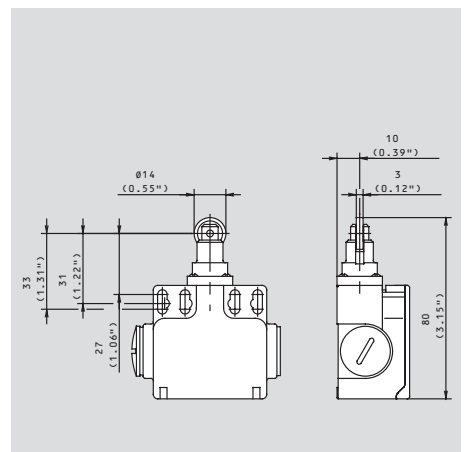
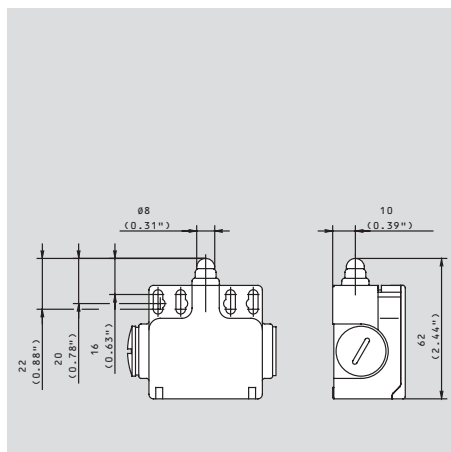
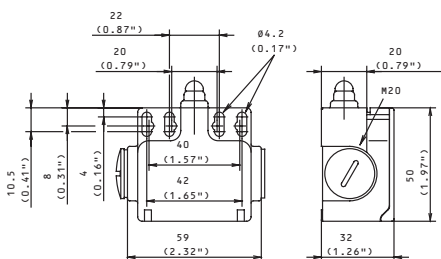
Voltage max.
 Permanent current max.
 In-rush current complies with standards
 IEC 947-5-1 AC 15/DC 13
 Switching frequency max.
 Mechanical life – number of switching actions
 Operating temperature min./max.

500 V AC	500 V AC	500 V AC	500 V AC	500 V AC
10 A	10 A	10 A	10 A	10 A
●	●	●	●	●
100/min.	100/min.	100/min.	100/min.	100/min.
10 x 10 ⁶	10 x 10 ⁶	10 x 10 ⁶	10 x 10 ⁶	10 x 10 ⁶
-30 °C/+80 °C	-30 °C/+80 °C	-30 °C/+80 °C	-30 °C/+80 °C	-30 °C/+80 °C
-22 °F/+176 °F	-22 °F/+176 °F	-22 °F/+176 °F	-22 °F/+176 °F	-22 °F/+176 °F

Approvals
 Weight
 Delivery: ex-stock/built to order

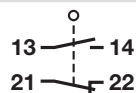
UL, CSA	UL, CSA	UL, CSA	UL, CSA	UL, CSA
0.08 kg/0.18 lb	0.08 kg/0.18 lb	0.08 kg/0.18 lb	0.08 kg/0.18 lb	0.08 kg/0.18 lb
●/-	●/-	-/●	●/-	●/-

All dimensions in mm (inch)





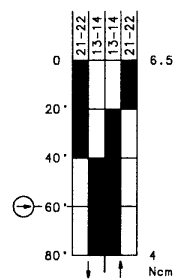
BI-SU1Z AH
608.5185.012



⊖ Zb

-/●

iw



500 V AC
10 A

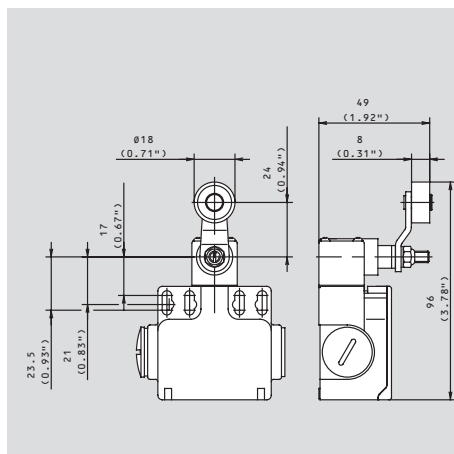
●

100/min.
10 x 10⁶
-30 °C/+80 °C
-22 °F/+176 °F

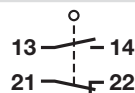
UL, CSA

0.12 kg/0.26 lb

●/-



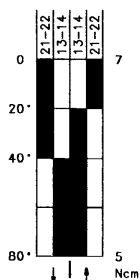
BI-SU1 AV
608.5186.013



Zb

-/●

iw



500 V AC
10 A

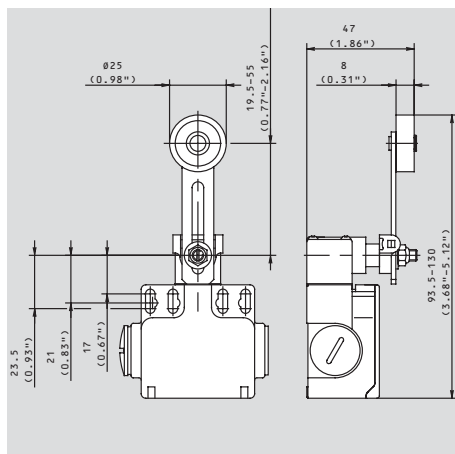
●

100/min.
10 x 10⁶
-30 °C/+80 °C
-22 °F/+176 °F

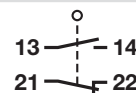
UL, CSA

0.13 kg/0.29 lb

●/-



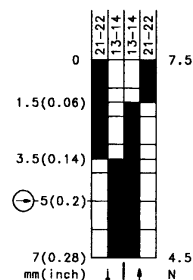
BI-SU1Z Hw
608.5171.017



⊖ Zb

-/●

w



500 V AC
10 A

●

100/min.
10 x 10⁶
-30 °C/+80 °C
-22 °F/+176 °F

UL, CSA

0.09 kg/0.20 lb

●/-

