

# Plastic-bodied compact limit switches

## Combi C2

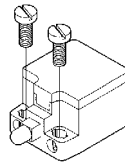
For confined spaces  
With two mounting options  
Protection class IP 30  
Hinged snap lid



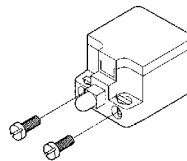
- Compact switches for safety or control applications
- 3 different contact configurations available as slow-action and snap-action
- All normally-closed contacts are positive break
- Two channel safety control possible
- Galvanically isolated terminals, type Zb
- Approvals UL, CSA
- Rectangular cable entries (8.5 x 3.5 mm) for 4 x 1-mm<sup>2</sup> flexible lead
- 4 screw-type connections (M3,5) with self-lifting clamps
- PBT enclosure, glass-fibre reinforced, self-extinguishing UL 94-V0
- Lid, PC UL 94-V0
- 2 mm contact opening of slow-action system according to EN 81-1 for lift applications



### Mounting



a) 2 holes for M4 screws



b) 2 captive M3 nuts for end mounting (depending on type)

### Contact configuration

Switching element	Switch function	Switch contact	Designation	Voltage	Continuous current
Slow-action	changeover	1NC/1NO	U1Z	250 V	10 A
Snap-action	changeover	1NC/1NO	SU1Z	250 V	10 A
Slow-action	normally-closed	2NC	A2Z	250 V	10 A
Snap-action	normally-closed	2NC	SA2Z	250 V	10 A
Slow-action	normally-open	2NO	E2	250 V	10 A
Snap-action	normally-open	2NO	SE2	250 V	10 A



### Designation

#### Part number

Switching diagram

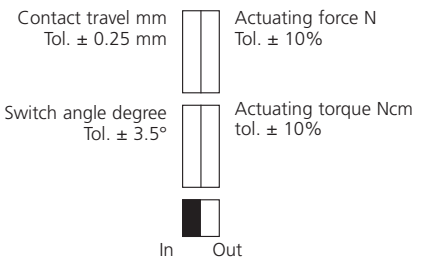
⊕ positive break according to IEC 947-5-1 Chap. 3

Za: changeover contact is not galvanically isolated

Zb: changeover contact is galvanically isolated

Slow-action contact/snap-action contact

Gasket inside (iw)/outside (w)



Voltage max.

Continuous current max.

Making current, acc. to IEC 947-5-1 AC 15/DC 13

Switching frequency max.

Mech. operational life – number of switching cycles

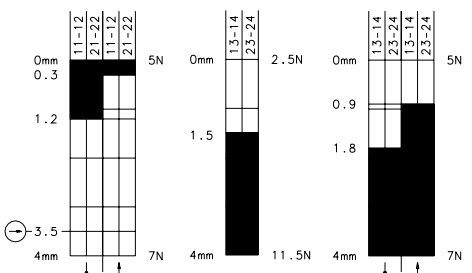
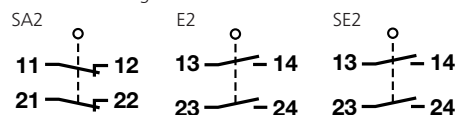
Ambient temperature min./max.

### Approvals

### Weight

Delivery: ex-stock/built to order

### Further switching functions

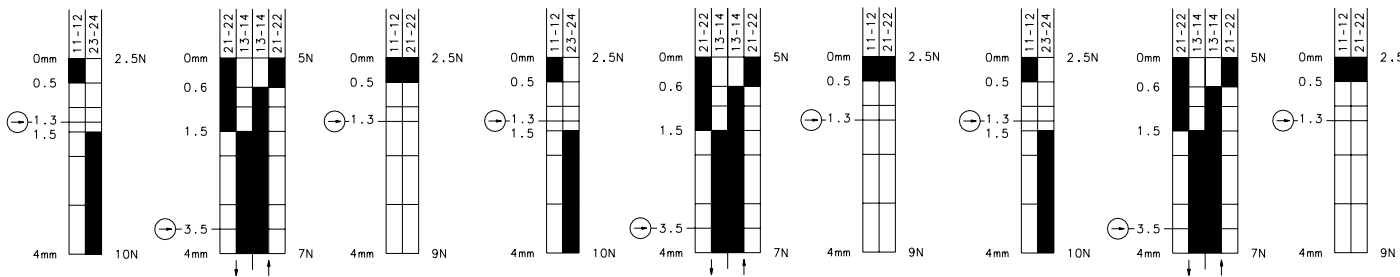


### Dimensions

All dimensions in mm

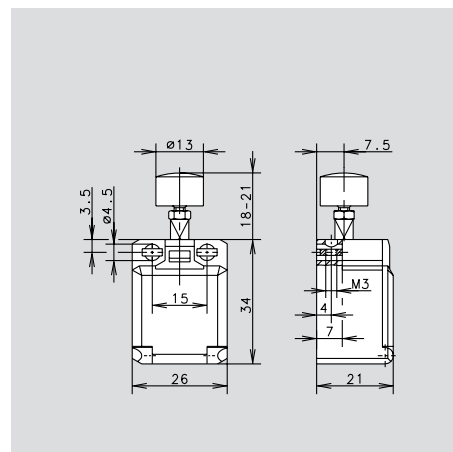
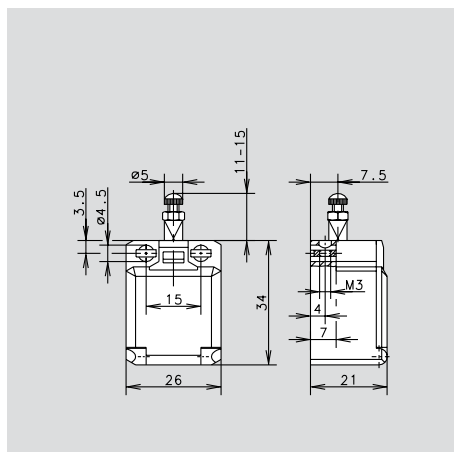
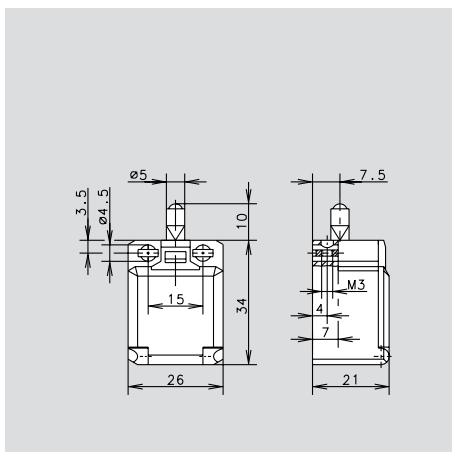


C2-U1Z	C2-SU1Z	C2-A2Z	C2-U1Z St	C2-SU1Z St	C2-A2Z St	C2-U1Z K	C2-SU1Z K	C2-A2Z K
600.8101.001	600.8351.002	600.8801.003	600.8104.025	600.8354.026	600.8804.027	600.8107.019	600.8357.020	600.8807.021
⊕ Zb	⊕ Zb	⊕ Zb	⊕ Zb	⊕ Zb	⊕ Zb	⊕ Zb	⊕ Zb	⊕ Zb
●/-	-/●	●/-	●/-	-/●	●/-	●/-	-/●	●/-
-/-	-/-	-/-	-/-	-/-	-/-	-/-	-/-	-/-



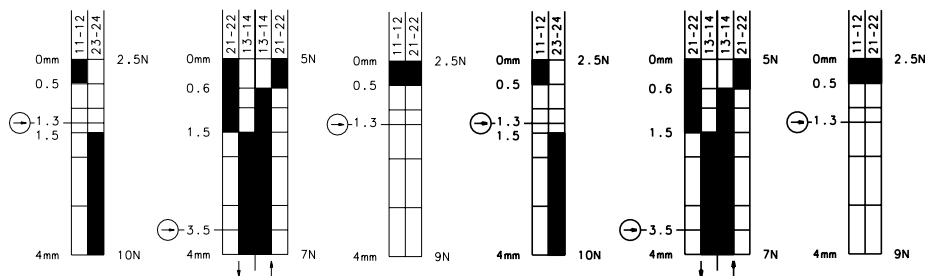
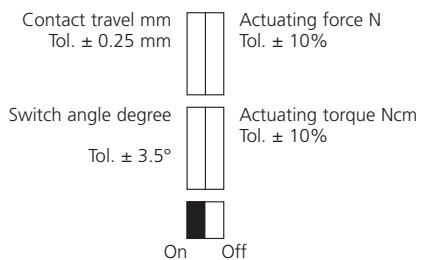
250 V AC	250 V AC	250 V AC	250 V AC	250 V AC	250 V AC	250 V AC	250 V AC	250 V AC
10 A	10 A	10 A	10 A	10 A	10 A	10 A	10 A	10 A
●	●	●	●	●	●	●	●	●
100/min.	100/min.	100/min.	100/min.	100/min.	100/min.	100/min.	100/min.	100/min.
3 x 10 <sup>6</sup>	3 x 10 <sup>6</sup>	3 x 10 <sup>6</sup>	3 x 10 <sup>6</sup>	3 x 10 <sup>6</sup>	3 x 10 <sup>6</sup>	3 x 10 <sup>6</sup>	3 x 10 <sup>6</sup>	3 x 10 <sup>6</sup>
-30 °C/+80 °C	-30 °C/+80 °C	-30 °C/+80 °C	-30 °C/+80 °C	-30 °C/+80 °C	-30 °C/+80 °C	-30 °C/+80 °C	-30 °C/+80 °C	-30 °C/+80 °C
-22 °F/+176 °F	-22 °F/+176 °F	-22 °F/+176 °F	-22 °F/+176 °F	-22 °F/+176 °F	-22 °F/+176 °F	-22 °F/+176 °F	-22 °F/+176 °F	-22 °F/+176 °F

UL, CSA	UL, CSA	UL, CSA	UL, CSA	UL, CSA	UL, CSA	UL, CSA	UL, CSA	UL, CSA
0.02 kg	0.02 kg	0.02 kg	0.02 kg	0.02 kg	0.02 kg	0.02 kg	0.02 kg	0.02 kg
●/-	●/-	●/-	●/-	●/-	●/-	●/-	●/-	●/-





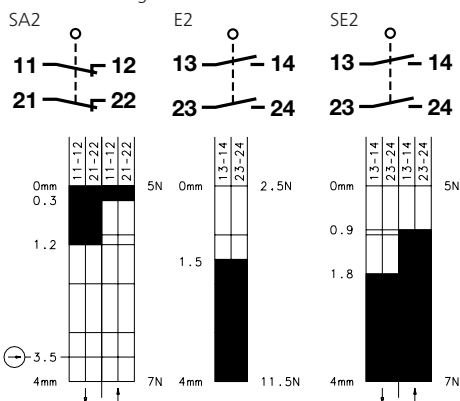
Designation	C2-U1Z R	C2-SU1Z R	C2-A2Z R	C2-U1Z o.M.+H	C2-SU1Z o.M.+H	C2-A2Z o.M.+H
<b>Switch part number</b>	<b>600.8116.013</b>	<b>600.8366.014</b>	<b>600.8816.015</b>	<b>600.8101.007</b>	<b>600.8351.008</b>	<b>600.8801.009</b>
<b>Actuator part number</b>	-	-	-	<b>391.0190.259</b>	<b>391.0190.259</b>	<b>391.0190.259</b>
Switching diagram						
⊕ positive break according to IEC 947-5-1 Chap. 3						
Za: changeover contact is not galvanically isolated						
Zb: changeover contact is galvanically isolated						
Slow-action contact/snap-action contact	●/-	-/●	●/-	●/-	-/●	●/-
Gasket inside (iw)/outside (w)	-/-	-/-	-/-	-/-	-/-	-/-



Voltage	max.	250 V AC	250 V AC	250 V AC	250 V AC	250 V AC
Continuous current	max.	10 A	10 A	10 A	10 A	10 A
Making current, acc. to IEC 947-5-1 AC 15/DC 13		●	●	●	●	●
Switching frequency	max.	100/min.	100/min.	100/min.	100/min.	100/min.
Mech. operational life – number of switching cycles		3 x 10 <sup>5</sup>	3 x 10 <sup>5</sup>	3 x 10 <sup>5</sup>	3 x 10 <sup>5</sup>	3 x 10 <sup>5</sup>
Ambient temperature	min./max.	-30 °C/+80 °C	-30 °C/+80 °C	-30 °C/+80 °C	-30 °C/+80 °C	-30 °C/+80 °C
		-22 °F/+176 °F	-22 °F/+176 °F	-22 °F/+176 °F	-22 °F/+176 °F	-22 °F/+176 °F

Approvals	UL, CSA	UL, CSA	UL, CSA	UL, CSA	UL, CSA	UL, CSA
Weight	0.02 kg	0.02 kg	0.02 kg	0.03 kg	0.03 kg	0.03 kg
Delivery: ex-stock/built to order	●/-	●/-	●/-	●/-	●/-	●/-

Further switching functions



Dimensions  
All dimensions in mm

