

# Altech Corp.®

Serving the Automation & Control Industry since 1984

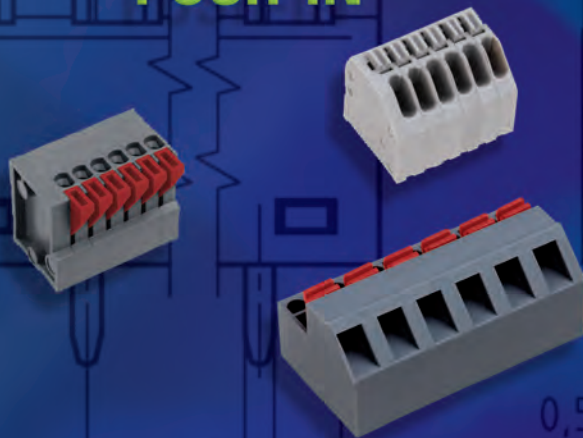


ISO 9001  
QMI-SAI Global

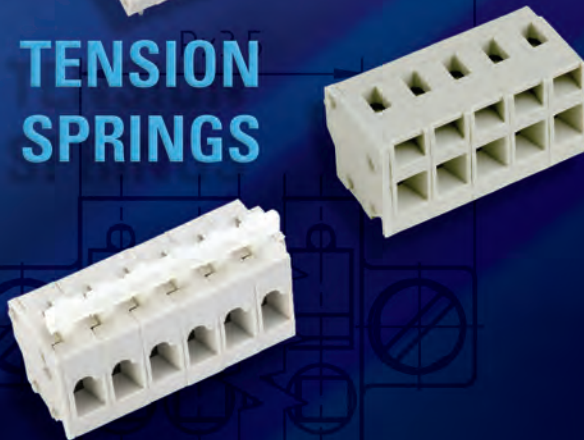


**PUSH-IN**

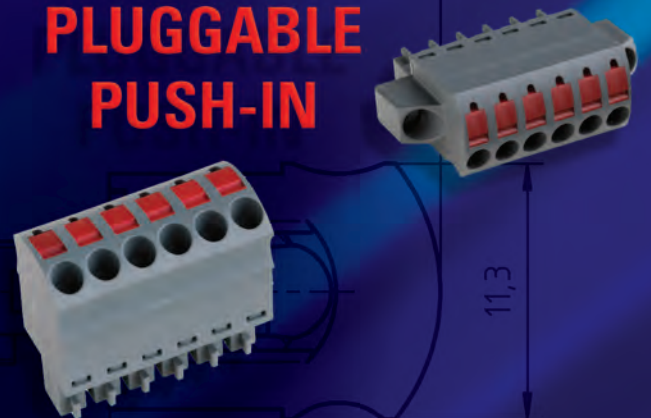
**PCB POWER  
TERMINALS  
PUSH-IN**



**TENSION  
SPRINGS**



**PLUGGABLE  
PUSH-IN**



**Printed Circuit Board Terminal Blocks**  
**SPRING CLAMP | PUSH-IN**



# Altech Corp.®

Since 1984, Altech Corporation has grown to become a leading supplier of automation and industrial control components. Headquartered in Flemington, NJ, Altech has an experienced staff of engineering, manufacturing and sales personnel to provide the highest quality products with superior service. This is the Altech Commitment!

With experienced Product Engineers and Customer Service personnel, Altech provides solutions to your most pressing application challenges. All with one thought in mind - *to ensure that we solve your problem the first time!*



## Altech's Commitment

*Altech's Automation and Control components meet applicable national and international standards, such as UL, NEC, CSA, IEC and VDE. Altech provides these products with superior customer service and delivery through a ISO 9001 Quality Management system, which stresses continuous process improvement. We perform these services with honesty and integrity. All Altech employees are trained in this Quality Management System and are dedicated to achieve these goals. Altech's quality system has been ISO approved since 1999.*





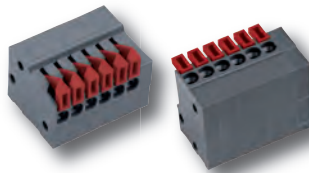
# TABLE OF CONTENTS & OVERVIEW

## FIXED PUSH-IN PCB TERMINAL



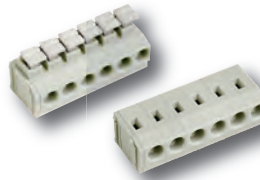
- 2.50/ 3.50mm spacing
- 2A/ 6A current rating
- 150V/ 300V

pages 4-5



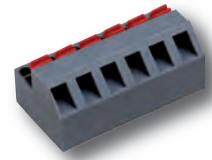
- 2.54/ 3.81mm spacing
- 6A current rating
- 150V/ 300V
- Vertical/ horizontal

pages 6-7



- 5.00mm spacing
- 10A current rating
- 300V
- Lever version

page 8



- 5.08mm spacing
- 10A current rating
- 300V

page 9

## PCB POWER TERMINALS PUSH-IN



- 5.00mm spacing
- 20A current rating
- 300V
- Vertical/ horizontal

pages 10



- 7.50mm spacing
- 20A current rating
- 300V
- Vertical/ horizontal

page 11



- 7.50mm spacing
- 35A current rating
- 300V
- Vertical/ horizontal

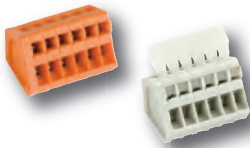
page 12-13



- 11.50mm spacing
- 35A current rating
- 600V
- Vertical/ horizontal

page 14

## TENSION SPRINGS



- 2.50/ 2.54mm spacing
- 4A current rating
- 150V
- Lever version

pages 16-17



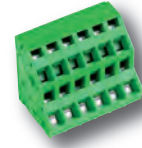
- 5.00mm spacing
- 6A current rating
- 300V
- Lever versions

pages 18-19



- 5.00/ 7.50/ 10.00mm spacing
- 15A current rating
- 300V
- Lever versions

page 20-25



- 5.00/ 5.08mm spacing
- 16A current rating
- 300V
- Double Level

page 26-27

## PLUGGABLE PUSH-IN



- 3.50/ 3.81mm spacing
- 10A current rating
- 300V

pages 28, 30



- 3.50/ 3.81mm spacing
- 10A current rating
- 300V
- Screw flange

pages 29, 31



- 5.00/ 5.08mm spacing
- 10A current rating
- 300V

page 32



- 5.00/ 5.08mm spacing
- 10A current rating
- 300V
- Screw flange

page 33

## Fixed Push-In PCB Terminal 2.50 mm Pin Spacing

- Push-In Technology
- 1-N Poles
- Various Colors / Pin Configurations
- Standard Color: Light Gray



AK4191/xxKD-2.5  
AK4191/xxKDVP-2.5

### Electrical Ratings

| Usergroup     | B                        | C | D        | -                                       |
|---------------|--------------------------|---|----------|---|
| Rated Voltage | 150V                     | - | 150V     | 130V / 250V                             |
| Rated Current | 2A                       | - | 2A       | 2A                                      |
| Wire Size     | <i>solid</i> 26-20AWG    | - | 26-20AWG | 0.2mm <sup>2</sup> -0.75mm <sup>2</sup> |
|               | <i>stranded</i> 26-20AWG | - | 26-20AWG | 0.2mm <sup>2</sup> -0.75mm <sup>2</sup> |



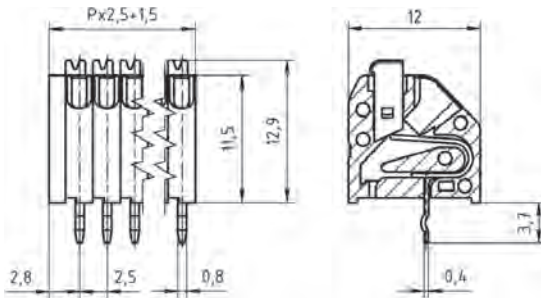
### Ordering Information (2.50 mm Spacing - Gray)

| No. Poles | Order # | Type #            | Length (mm) | Std. Pack |
|-----------|---------|-------------------|-------------|-----------|
| 1         | 39.5101 | AK4191/1KD-2.5-G  | 4.00        | 100       |
| 2         | 39.5102 | AK4191/2KD-2.5-G  | 6.50        | 100       |
| 3         | 39.5103 | AK4191/3KD-2.5-G  | 9.00        | 100       |
| 4         | 39.5104 | AK4191/4KD-2.5-G  | 11.50       | 50        |
| 5         | 39.5105 | AK4191/5KD-2.5-G  | 14.00       | 50        |
| 6         | 39.5106 | AK4191/6KD-2.5-G  | 16.50       | 50        |
| 7         | 39.5107 | AK4191/7KD-2.5-G  | 19.00       | 20        |
| 8         | 39.5108 | AK4191/8KD-2.5-G  | 21.50       | 20        |
| 9         | 39.5109 | AK4191/9KD-2.5-G  | 24.00       | 20        |
| 10        | 39.5110 | AK4191/10KD-2.5-G | 26.50       | 20        |
| 11        | 39.5111 | AK4191/11KD-2.5-G | 29.00       | 20        |
| 12        | 39.5112 | AK4191/12KD-2.5-G | 31.50       | 20        |

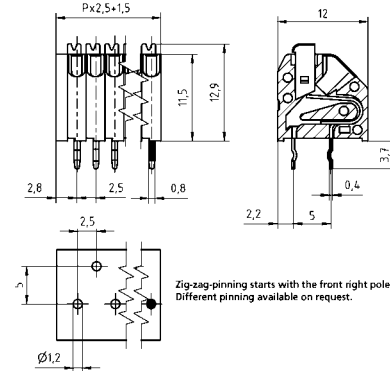
### Ordering Information (2.50 mm Spacing - Gray)

| No. Poles | Order # | Type #              | Length (mm) | Std. Pack |
|-----------|---------|---------------------|-------------|-----------|
| 1         | 39.5151 | AK4191/1KDVP-2.5-G  | 4.00        | 100       |
| 2         | 39.5152 | AK4191/2KDVP-2.5-G  | 6.50        | 100       |
| 3         | 39.5153 | AK4191/3KDVP-2.5-G  | 9.00        | 100       |
| 4         | 39.5154 | AK4191/4KDVP-2.5-G  | 11.50       | 50        |
| 5         | 39.5155 | AK4191/5KDVP-2.5-G  | 14.00       | 50        |
| 6         | 39.5156 | AK4191/6KDVP-2.5-G  | 16.50       | 50        |
| 7         | 39.5157 | AK4191/7KDVP-2.5-G  | 19.00       | 20        |
| 8         | 39.5158 | AK4191/8KDVP-2.5-G  | 21.50       | 20        |
| 9         | 39.5159 | AK4191/9KDVP-2.5-G  | 24.00       | 20        |
| 10        | 39.5160 | AK4191/10KDVP-2.5-G | 26.50       | 20        |
| 11        | 39.5161 | AK4191/11KDVP-2.5-G | 29.00       | 20        |
| 12        | 39.5162 | AK4191/12KDVP-2.5-G | 31.50       | 20        |

### Dimensions (mm)



### Dimensions (mm)



### Material Specifications

|                       |                 |
|-----------------------|-----------------|
| Spring Clamp          | Stainless Steel |
| Solder Tab            | Bronze          |
| Insulating Material   | PA 6.6          |
| Flammability Class    | UL94V-0         |
| Operating Temperature | -30°C - +105°C  |

### Wave Solder Process

|                       |       |
|-----------------------|-------|
| Soldering Temperature | 265°C |
| Peak Soldering Time   | 3-4s  |

### Installation Data

|                  |       |
|------------------|-------|
| Stripping Length | 9mm   |
| PCB Hole Size    | 1.2mm |

### Other Colors Available

-  GREEN, RAL 6018
-  ORANGE, RAL 2011
-  BLUE, RAL 5015

# Fixed Push-In PCB Terminal

## 3.50 mm Pin Spacing

- Push-In Technology
- 1-N Poles
- Various Colors / Pin Configurations
- Standard Color: Light Gray



**AK4291/xxKD-3.5**  
**AK4291/xxKDVP-3.5**

PUSH-IN

PCB POWER TERMINALS  
 PUSH-IN

TENSION SPRING

PLUGGABLE  
 PUSH-IN

### Electrical Ratings

| Usergroup     | B   | C | D                    | -  |
|---------------|---|---|----------------------|--|
| Rated Voltage | 300V  | - | 300V                 | 130V / 250V  |
| Rated Current | 6A  | - | 6A                   | 3A   |
| Wire Size     | <i>solid</i> 22-16AWG<br><i>stranded</i> 22-16AWG | - | 22-16AWG<br>22-16AWG | 0.2mm <sup>2</sup> -0.75mm <sup>2</sup><br>0.2mm <sup>2</sup> -0.75mm <sup>2</sup> |



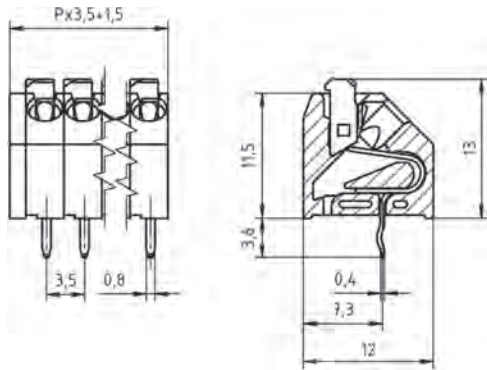
### Ordering Information (3.50 mm Spacing - Gray)

| No. Poles | Order # | Type #            | Length (mm) | Std. Pack |
|-----------|---------|-------------------|-------------|-----------|
| 1         | 39.5201 | AK4291/1KD-3.5-G  | 5.00        | 100       |
| 2         | 39.5202 | AK4291/2KD-3.5-G  | 8.50        | 100       |
| 3         | 39.5203 | AK4291/3KD-3.5-G  | 12.00       | 100       |
| 4         | 39.5204 | AK4291/4KD-3.5-G  | 15.50       | 50        |
| 5         | 39.5205 | AK4291/5KD-3.5-G  | 19.00       | 50        |
| 6         | 39.5206 | AK4291/6KD-3.5-G  | 22.50       | 50        |
| 7         | 39.5207 | AK4291/7KD-3.5-G  | 26.00       | 20        |
| 8         | 39.5208 | AK4291/8KD-3.5-G  | 29.50       | 20        |
| 9         | 39.5209 | AK4291/9KD-3.5-G  | 33.00       | 20        |
| 10        | 39.5210 | AK4291/10KD-3.5-G | 36.50       | 20        |
| 11        | 39.5211 | AK4291/11KD-3.5-G | 40.00       | 20        |
| 12        | 39.5212 | AK4291/12KD-3.5-G | 43.50       | 20        |

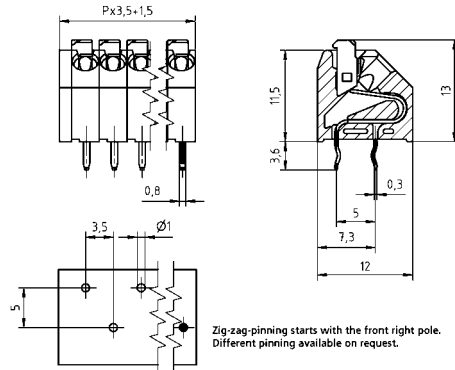
### Ordering Information (3.50 mm Spacing - Gray)

| No. Poles | Order # | Type #              | Length (mm) | Std. Pack |
|-----------|---------|---------------------|-------------|-----------|
| 1         | 39.5251 | AK4291/1KDVP-3.5-G  | 5.00        | 100       |
| 2         | 39.5252 | AK4291/2KDVP-3.5-G  | 8.50        | 100       |
| 3         | 39.5253 | AK4291/3KDVP-3.5-G  | 12.00       | 100       |
| 4         | 39.5254 | AK4291/4KDVP-3.5-G  | 15.50       | 50        |
| 5         | 39.5255 | AK4291/5KDVP-3.5-G  | 19.00       | 50        |
| 6         | 39.5256 | AK4291/6KDVP-3.5-G  | 22.50       | 50        |
| 7         | 39.5257 | AK4291/7KDVP-3.5-G  | 26.00       | 20        |
| 8         | 39.5258 | AK4291/8KDVP-3.5-G  | 29.50       | 20        |
| 9         | 39.5259 | AK4291/9KDVP-3.5-G  | 33.00       | 20        |
| 10        | 39.5260 | AK4291/10KDVP-3.5-G | 36.50       | 20        |
| 11        | 39.5261 | AK4291/11KDVP-3.5-G | 40.00       | 20        |
| 12        | 39.5262 | AK4291/12KDVP-3.5-G | 43.50       | 20        |

### Dimensions (mm)



### Dimensions (mm)



### Material Specifications

|                       |                 |
|-----------------------|-----------------|
| Spring Clamp          | Stainless Steel |
| Solder Tab            | Copper Alloy    |
| Insulating Material   | PA 6.6          |
| Flammability Class    | UL94V-0         |
| Operating Temperature | -30°C - +105°C  |

### Other Colors Available

- GREEN, RAL 6018
- ORANGE, RAL 2011
- BLUE, RAL 5015

### Wave Solder Process

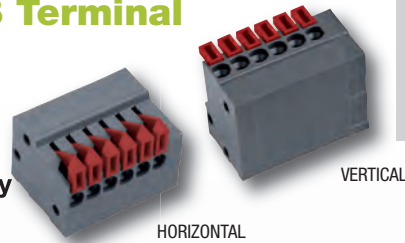
|                       |       |
|-----------------------|-------|
| Soldering Temperature | 265°C |
| Peak Soldering Time   | 3-4s  |

### Installation Data

|                  |       |
|------------------|-------|
| Stripping Length | 9mm   |
| PCB Hole Size    | 1.0mm |

## Fixed Push-In PCB Terminal 2.54 mm Pin Spacing

- Push-In Technology
- 1-N Poles
- Various Colors
- Standard Color: Dark Gray



HORIZONTAL

## AKZ4791/xxKD-2.54-H HORIZONTAL

## AKZ4791/xxKD-2.54-V VERTICAL

VERTICAL

### Electrical Ratings

| Usergroup     | B                        | C | D | -                                       |
|---------------|--------------------------|---|---|---|
| Rated Voltage | 150V                     | - | - | 130V                                    |
| Rated Current | 6A                       | - | - | 9A                                      |
| Wire Size     | <i>solid</i> 26-18AWG    | - | - | 0.2mm <sup>2</sup> -0.75mm <sup>2</sup> |
|               | <i>stranded</i> 26-18AWG | - | - | 0.2mm <sup>2</sup> -0.75mm <sup>2</sup> |



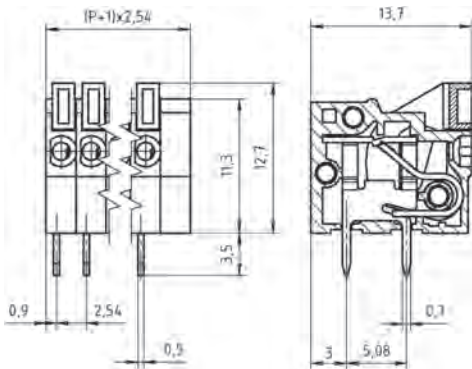
### Ordering Information (2.54 mm Spacing - Gray)

| No. Poles | Order # | Type #                | Length (mm) | Std. Pack |
|-----------|---------|-----------------------|-------------|-----------|
| 1         | 39.5301 | AKZ4791/1KD-2.54-H-G  | 5.08        | 100       |
| 2         | 39.5302 | AKZ4791/2KD-2.54-H-G  | 7.62        | 100       |
| 3         | 39.5303 | AKZ4791/3KD-2.54-H-G  | 10.16       | 100       |
| 4         | 39.5304 | AKZ4791/4KD-2.54-H-G  | 12.70       | 50        |
| 5         | 39.5305 | AKZ4791/5KD-2.54-H-G  | 15.24       | 50        |
| 6         | 39.5306 | AKZ4791/6KD-2.54-H-G  | 17.78       | 50        |
| 7         | 39.5307 | AKZ4791/7KD-2.54-H-G  | 20.32       | 20        |
| 8         | 39.5308 | AKZ4791/8KD-2.54-H-G  | 22.86       | 20        |
| 9         | 39.5309 | AKZ4791/9KD-2.54-H-G  | 25.40       | 20        |
| 10        | 39.5310 | AKZ4791/10KD-2.54-H-G | 27.94       | 20        |
| 11        | 39.5311 | AKZ4791/11KD-2.54-H-G | 30.48       | 20        |
| 12        | 39.5312 | AKZ4791/12KD-2.54-H-G | 33.02       | 20        |

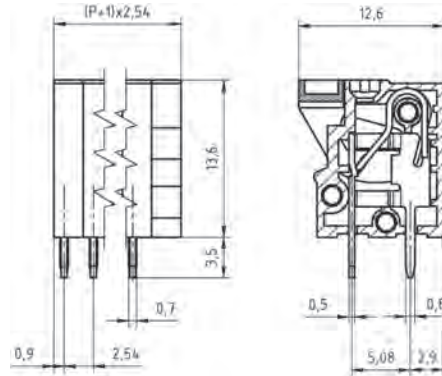
### Ordering Information (2.54 mm Spacing - Gray)

| No. Poles | Order # | Type #                | Length (mm) | Std. Pack |
|-----------|---------|-----------------------|-------------|-----------|
| 1         | 39.5351 | AKZ4791/1KD-2.54-V-G  | 5.08        | 100       |
| 2         | 39.5352 | AKZ4791/2KD-2.54-V-G  | 7.62        | 100       |
| 3         | 39.5353 | AKZ4791/3KD-2.54-V-G  | 10.16       | 100       |
| 4         | 39.5354 | AKZ4791/4KD-2.54-V-G  | 12.70       | 50        |
| 5         | 39.5355 | AKZ4791/5KD-2.54-V-G  | 15.24       | 50        |
| 6         | 39.5356 | AKZ4791/6KD-2.54-V-G  | 17.78       | 50        |
| 7         | 39.5357 | AKZ4791/7KD-2.54-V-G  | 20.32       | 20        |
| 8         | 39.5358 | AKZ4791/8KD-2.54-V-G  | 22.86       | 20        |
| 9         | 39.5359 | AKZ4791/9KD-2.54-V-G  | 25.40       | 20        |
| 10        | 39.5360 | AKZ4791/10KD-2.54-V-G | 27.94       | 20        |
| 11        | 39.5361 | AKZ4791/11KD-2.54-V-G | 30.48       | 20        |
| 12        | 39.5362 | AKZ4791/12KD-2.54-V-G | 33.02       | 20        |

### Dimensions (mm) Horizontal



### Dimensions (mm) Vertical



### Material Specifications

|                       |                 |
|-----------------------|-----------------|
| Spring Clamp          | Stainless Steel |
| Solder Tab            | Brass           |
| Insulating Material   | PBT             |
| Flammability Class    | UL94V-0         |
| Operating Temperature | -30°C - +105°C  |

### Other Colors Available

- GREEN, RAL 6018
- ORANGE, RAL 2011
- BLUE, RAL 5015

### Wave Solder Process

|                       |       |
|-----------------------|-------|
| Soldering Temperature | 265°C |
| Peak Soldering Time   | 3-4s  |

### Installation Data

|                  |       |
|------------------|-------|
| Stripping Length | 10mm  |
| PCB Hole Size    | 1.2mm |



# Fixed Push-In PCB Terminal

## 3.81 mm Pin Spacing

- Push-In Technology
- 1-N Poles
- Various Colors
- Standard Color: Dark Gray



**AKZ4701/xxKD-3.81-H**  
HORIZONTAL

**AKZ4701/xxKD-3.81-V**  
VERTICAL

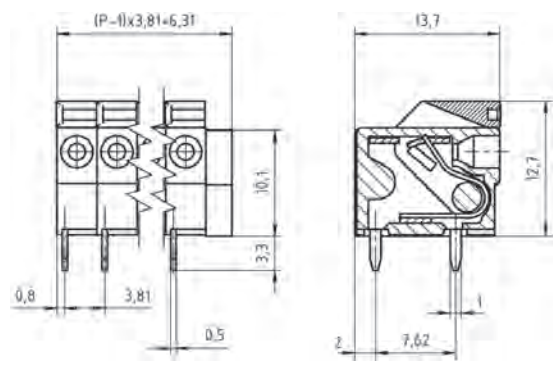
| Electrical Ratings |          | UL E178356 |          | IEC                                    | VDE |
|--------------------|----------|------------|----------|--|-----|
| Usergroup          | B        | C          | D        | -                                      |     |
|                    | 300V     | -          | 300V     | 130V                                   |     |
| Rated Current      | 6A       | -          | 6A       | 12A                                    |     |
| Wire Size          | solid    | 26-16AWG   | 26-16AWG | 0.2mm <sup>2</sup> -1.5mm <sup>2</sup> |     |
|                    | stranded | 26-16AWG   | 26-16AWG | 0.2mm <sup>2</sup> -1.5mm <sup>2</sup> |     |

### Ordering Information (3.81 mm Spacing - Gray)

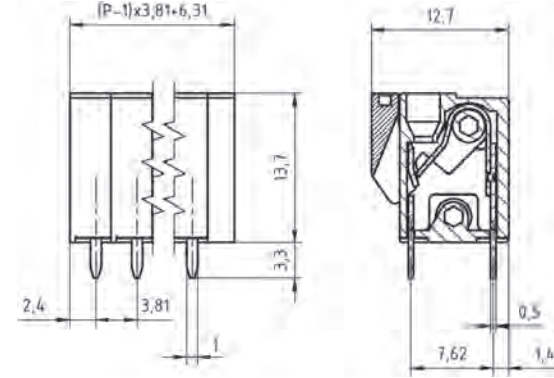
| No. Poles | Order # | Type #                | Length (mm) | Std. Pack |
|-----------|---------|-----------------------|-------------|-----------|
| 1         | 39.5401 | AKZ4701/1KD-3.81-H-G  | 6.31        | 100       |
| 2         | 39.5402 | AKZ4701/2KD-3.81-H-G  | 10.12       | 100       |
| 3         | 39.5403 | AKZ4701/3KD-3.81-H-G  | 13.93       | 100       |
| 4         | 39.5404 | AKZ4701/4KD-3.81-H-G  | 17.74       | 50        |
| 5         | 39.5405 | AKZ4701/5KD-3.81-H-G  | 21.55       | 50        |
| 6         | 39.5406 | AKZ4701/6KD-3.81-H-G  | 25.36       | 50        |
| 7         | 39.5407 | AKZ4701/7KD-3.81-H-G  | 29.17       | 20        |
| 8         | 39.5408 | AKZ4701/8KD-3.81-H-G  | 32.98       | 20        |
| 9         | 39.5409 | AKZ4701/9KD-3.81-H-G  | 36.79       | 20        |
| 10        | 39.5410 | AKZ4701/10KD-3.81-H-G | 40.60       | 20        |
| 11        | 39.5411 | AKZ4701/11KD-3.81-H-G | 44.41       | 20        |
| 12        | 39.5412 | AKZ4701/12KD-3.81-H-G | 48.22       | 20        |

| No. Poles | Order # | Type #                | Length (mm) | Std. Pack |
|-----------|---------|-----------------------|-------------|-----------|
| 1         | 39.5451 | AKZ4701/1KD-3.81-V-G  | 6.31        | 100       |
| 2         | 39.5452 | AKZ4701/2KD-3.81-V-G  | 10.12       | 100       |
| 3         | 39.5453 | AKZ4701/3KD-3.81-V-G  | 13.93       | 100       |
| 4         | 39.5454 | AKZ4701/4KD-3.81-V-G  | 17.74       | 50        |
| 5         | 39.5455 | AKZ4701/5KD-3.81-V-G  | 21.55       | 50        |
| 6         | 39.5456 | AKZ4701/6KD-3.81-V-G  | 25.36       | 50        |
| 7         | 39.5457 | AKZ4701/7KD-3.81-V-G  | 29.17       | 20        |
| 8         | 39.5458 | AKZ4701/8KD-3.81-V-G  | 32.98       | 20        |
| 9         | 39.5459 | AKZ4701/9KD-3.81-V-G  | 36.79       | 20        |
| 10        | 39.5460 | AKZ4701/10KD-3.81-V-G | 40.60       | 20        |
| 11        | 39.5461 | AKZ4701/11KD-3.81-V-G | 44.41       | 20        |
| 12        | 39.5462 | AKZ4701/12KD-3.81-V-G | 48.22       | 20        |

### Dimensions (mm) Horizontal



### Dimensions (mm) Vertical



### Material Specifications

|                       |                 |
|-----------------------|-----------------|
| Spring Clamp          | Stainless Steel |
| Solder Tab            | Brass           |
| Insulating Material   | PBT             |
| Flammability Class    | UL94V-0         |
| Operating Temperature | -30°C - +105°C  |

### Other Colors Available

- GREEN, RAL 6018
- ORANGE, RAL 2011
- BLUE, RAL 5015

### Wave Solder Process

|                       |       |
|-----------------------|-------|
| Soldering Temperature | 265°C |
| Peak Soldering Time   | 3-4s  |

### Installation Data

|                  |       |
|------------------|-------|
| Stripping Length | 10mm  |
| PCB Hole Size    | 1.4mm |

PUSH-IN

PCB POWER TERMINALS  
PUSH-IN

TENSION SPRING

PLUGGABLE  
PUSH-IN

## Fixed Push-In PCB Terminal 5.00 mm Pin Spacing

- Push-In Technology
- 1-N Poles
- Various Colors



**AK4100/xx-5.0**

WITHOUT LEVER

**AK4101/xxKD-5.0**

WITH PUSH-LEVER

### Electrical Ratings

|               |                 | UL E178356 |   |          | IEC                                    | VDE |
|---------------|-----------------|------------|---|----------|--|-----|
| Usergroup     |                 | B          | C | D        | -                                      | -   |
|               |                 | 300V       | - | 300V     | 250V                                   | -   |
| Rated Current |                 | 10A        | - | 10A      | 17.5A                                  | -   |
| Wire Size     | <i>solid</i>    | 20-14AWG   | - | 20-14AWG | 0.5mm <sup>2</sup> -2.5mm <sup>2</sup> | -   |
|               | <i>stranded</i> | -          | - | -        | -                                      | -   |

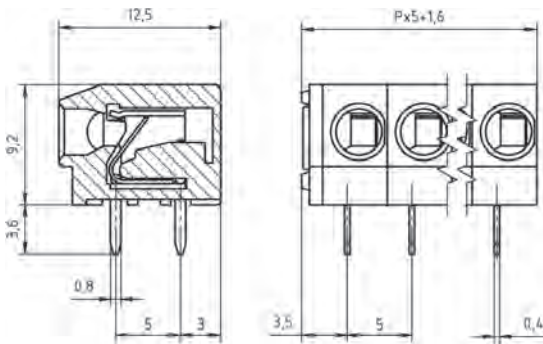
### Ordering Information (5.00 mm Spacing - Gray)

| No. Poles | Order # | Type #          | Length (mm) | Std. Pack |
|-----------|---------|-----------------|-------------|-----------|
| 1         | 39.5601 | AK4100/1-5.0-G  | 6.60        | 100       |
| 2         | 39.5602 | AK4100/2-5.0-G  | 11.60       | 100       |
| 3         | 39.5603 | AK4100/3-5.0-G  | 16.60       | 100       |
| 4         | 39.5604 | AK4100/4-5.0-G  | 21.60       | 50        |
| 5         | 39.5605 | AK4100/5-5.0-G  | 26.60       | 50        |
| 6         | 39.5606 | AK4100/6-5.0-G  | 31.60       | 50        |
| 7         | 39.5607 | AK4100/7-5.0-G  | 36.60       | 20        |
| 8         | 39.5608 | AK4100/8-5.0-G  | 41.60       | 20        |
| 9         | 39.5609 | AK4100/9-5.0-G  | 46.60       | 20        |
| 10        | 39.5610 | AK4100/10-5.0-G | 51.60       | 20        |
| 11        | 39.5611 | AK4100/10-5.0-G | 56.60       | 20        |
| 12        | 39.5612 | AK4100/12-5.0-G | 61.60       | 20        |

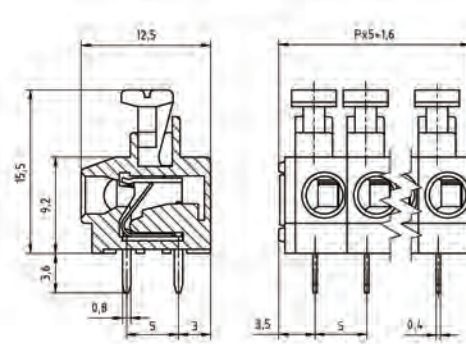
### Ordering Information (5.00 mm Spacing - Gray)

| No. Poles | Order # | Type #             | Length (mm) | Std. Pack |
|-----------|---------|--------------------|-------------|-----------|
| 1         | 39.5651 | AK4101/1-KD-5.0-G  | 6.60        | 100       |
| 2         | 39.5652 | AK4101/2-KD-5.0-G  | 11.60       | 100       |
| 3         | 39.5653 | AK4101/3-KD-5.0-G  | 16.60       | 100       |
| 4         | 39.5654 | AK4101/4-KD-5.0-G  | 21.60       | 50        |
| 5         | 39.5655 | AK4101/5-KD-5.0-G  | 26.60       | 50        |
| 6         | 39.5656 | AK4101/6-KD-5.0-G  | 31.60       | 50        |
| 7         | 39.5657 | AK4101/7-KD-5.0-G  | 36.60       | 20        |
| 8         | 39.5658 | AK4101/8-KD-5.0-G  | 41.60       | 20        |
| 9         | 39.5659 | AK4101/9-KD-5.0-G  | 46.60       | 20        |
| 10        | 39.5660 | AK4101/10-KD-5.0-G | 51.60       | 20        |
| 11        | 39.5661 | AK4101/10-KD-5.0-G | 56.60       | 20        |
| 12        | 39.5662 | AK4101/12-KD-5.0-G | 61.60       | 20        |

### Dimensions (mm) without Lever



### Dimensions (mm) with Push-Lever



### Material Specifications

|                       |                 |
|-----------------------|-----------------|
| Spring Clamp          | Stainless Steel |
| Solder Tab            | Copper Alloy    |
| Insulating Material   | PA 6.6          |
| Flammability Class    | UL94V-0         |
| Operating Temperature | -30°C - +105°C  |

### Wave Solder Process

|                       |       |
|-----------------------|-------|
| Soldering Temperature | 265°C |
| Peak Soldering Time   | 3-4s  |

### Installation Data

|                  |       |
|------------------|-------|
| Stripping Length | 9mm   |
| PCB Hole Size    | 1.0mm |

### Other Colors Available

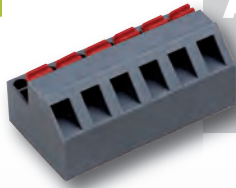
- GREEN, RAL 6018
- ORANGE, RAL 2011
- BLUE, RAL 5015






# Fixed Push-In PCB Terminal

## 5.08 mm Pin Spacing

- Push-In Technology
- 1-N Poles
- Single Molded Terminal Blocks



# AKZ4301/xxKD-5.08

| Electrical Ratings |                 |          |    |  |
|--------------------|-----------------|----------|---|--|
| Usergroup          | B               | C        | D   | -                                      |
|                    | 300V            | -        | 300V  | 250V                                   |
| Rated Current      | 10A             | -        | 10A   | 16A                                    |
| Wire Size          | <i>solid</i>    | 22-16AWG | -   | 22-16AWG                               |
|                    | <i>stranded</i> | 22-16AWG | -   | 22-16AWG                               |
|                    |                 |          |   | 0.2mm <sup>2</sup> -2.5mm <sup>2</sup> |
|                    |                 |          |   | 0.2mm <sup>2</sup> -1.5mm <sup>2</sup> |

### Ordering Information (5.08 mm Spacing - Gray)

| No. Poles | Order #        | Type #             | Length (mm) | Std. Pack |
|-----------|----------------|--------------------|-------------|-----------|
| 2         | <b>39.5702</b> | AKZ4301/2KD-5.08-G | 10.16       | 50        |
| 3         | <b>39.5703</b> | AKZ4301/3KD-5.08-G | 15.24       | 50        |
| 4         | <b>39.5704</b> | AKZ4301/4KD-5.08-G | 20.32       | 50        |
| 5         | <b>39.5705</b> | AKZ4301/5KD-5.08-G | 25.40       | 50        |
| 6         | <b>39.5706</b> | AKZ4301/6KD-5.08-G | 30.48       | 50        |
| 7         | <b>39.5707</b> | AKZ4301/7KD-5.08-G | 35.56       | 50        |
| 8         | <b>39.5708</b> | AKZ4301/8KD-5.08-G | 40.64       | 50        |

Please contact Altech for other pole configurations.

#### Material Specifications

|                       |                 |
|-----------------------|-----------------|
| Spring Clamp          | Stainless Steel |
| Solder Tab            | Brass           |
| Insulating Material   | PA 6.6          |
| Flammability Class    | UL94V-0         |
| Operating Temperature | -30°C - +105°C  |

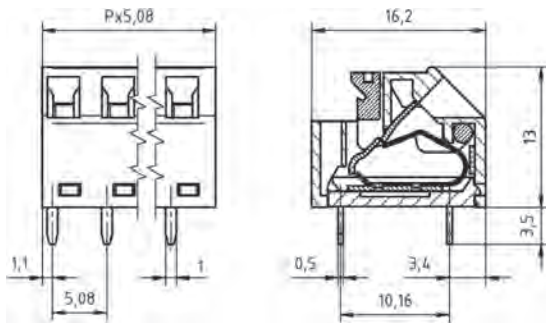
#### Wave Solder Process

|                       |       |
|-----------------------|-------|
| Soldering Temperature | 265°C |
| Peak Soldering Time   | 3-4s  |

#### Installation Data

|                  |       |
|------------------|-------|
| Stripping Length | 10mm  |
| PCB Hole Size    | 1.4mm |

#### Dimensions (mm)



Other Colors Available

**GREEN, RAL 6018**

PUSH-IN

PCB POWER TERMINALS  
PUSH-IN

TENSION SPRING

PLUGGABLE  
PUSH-IN

# PCB Power Terminals (Push-In)

5.00 mm Pin Spacing

- Push-In Technology
- 20A
- Various Colors
- Standard Color: Dark Gray



**AK4200/xx-5.0-H**

HORIZONTAL

**AK4200/xx-5.0-V**

VERTICAL

## Electrical Ratings

| Usergroup     | B                        | C | D        |  |
|---------------|--------------------------|---|----------|--|
| Rated Voltage | 300V                     | - | 300V     | 250V                                   |
| Rated Current | 20A                      | - | 10A      | 24A                                    |
| Wire Size     | <i>solid</i> 24-12AWG    | - | 24-12AWG | 0.2mm <sup>2</sup> -2.5mm <sup>2</sup> |
|               | <i>stranded</i> 24-12AWG | - | 24-12AWG | 0.2mm <sup>2</sup> -2.5mm <sup>2</sup> |



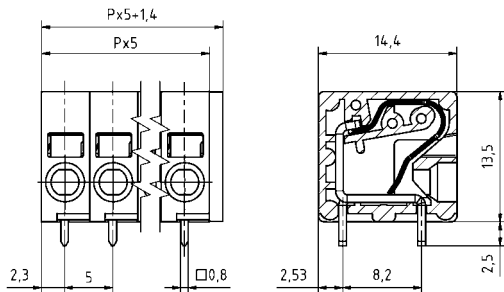
## Ordering Information - Horizontal, Gray - RAL7012

| No. Poles | Order # | Type #            | Length (mm) | Std. Pack |
|-----------|---------|-------------------|-------------|-----------|
| 1         | 39.8101 | AK4200/1-5.0-H-G  | 6.40        | 100       |
| 2         | 39.8102 | AK4200/2-5.0-H-G  | 11.40       | 50        |
| 3         | 39.8103 | AK4200/3-5.0-H-G  | 16.40       | 50        |
| 4         | 39.8104 | AK4200/4-5.0-H-G  | 21.40       | 50        |
| 5         | 39.8105 | AK4200/5-5.0-H-G  | 26.40       | 50        |
| 6         | 39.8106 | AK4200/6-5.0-H-G  | 31.40       | 50        |
| 7         | 39.8107 | AK4200/7-5.0-H-G  | 36.40       | 50        |
| 8         | 39.8108 | AK4200/8-5.0-H-G  | 41.40       | 50        |
| 9         | 39.8109 | AK4200/9-5.0-H-G  | 46.40       | 50        |
| 10        | 39.8110 | AK4200/10-5.0-H-G | 51.40       | 50        |
| 11        | 39.8111 | AK4200/10-5.0-H-G | 56.40       | 50        |
| 12        | 39.8112 | AK4200/12-5.0-H-G | 61.40       | 50        |

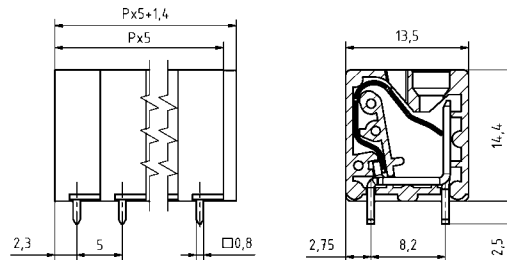
## Ordering Information - Vertical, Gray - RAL7012

| No. Poles | Order # | Type #            | Length (mm) | Std. Pack |
|-----------|---------|-------------------|-------------|-----------|
| 1         | 39.8151 | AK4200/1-5.0-V-G  | 6.40        | 100       |
| 2         | 39.8152 | AK4200/2-5.0-V-G  | 11.40       | 50        |
| 3         | 39.8153 | AK4200/3-5.0-V-G  | 16.40       | 50        |
| 4         | 39.8154 | AK4200/4-5.0-V-G  | 21.40       | 50        |
| 5         | 39.8155 | AK4200/5-5.0-V-G  | 26.40       | 50        |
| 6         | 39.8156 | AK4200/6-5.0-V-G  | 31.40       | 50        |
| 7         | 39.8157 | AK4200/7-5.0-V-G  | 36.40       | 50        |
| 8         | 39.8158 | AK4200/8-5.0-V-G  | 41.40       | 50        |
| 9         | 39.8159 | AK4200/9-5.0-V-G  | 46.40       | 50        |
| 10        | 39.8160 | AK4200/10-5.0-V-G | 51.40       | 50        |
| 11        | 39.8161 | AK4200/10-5.0-V-G | 56.40       | 50        |
| 12        | 39.8162 | AK4200/12-5.0-V-G | 61.40       | 50        |

## Dimensions (mm)



## Dimensions (mm)



## Material Specifications

|                       |                 |
|-----------------------|-----------------|
| Spring Clamp          | Stainless Steel |
| Solder Tab            | Copper Alloy    |
| Insulating Material   | PA 6.6          |
| Flammability Class    | UL94V-0         |
| Operating Temperature | -30°C - +105°C  |

## Wave Solder Process

|                       |       |
|-----------------------|-------|
| Soldering Temperature | 265°C |
| Peak Soldering Time   | 3-4s  |

## Installation Data

|                  |       |
|------------------|-------|
| Stripping Length | 10mm  |
| PCB Hole Size    | 1.1mm |

## Other Colors Available

- BLACK, RAL 9011
- GREEN, RAL 6018
- ORANGE, RAL 2011
- RED, RAL 3003
- BLUE, RAL 5015

PUSH-IN

PCB POWER TERMINALS  
PUSH-IN

TENSION SPRING

PLUGGABLE  
PUSH-IN

# PCB Power Terminals (Push-In)

## 7.50 mm Pin Spacing

- Push-In Technology
- 20A
- Various Colors
- Standard Color: Dark Gray



### AK4200/xx-7.5-H

HORIZONTAL

### AK4200/xx-7.5-V

VERTICAL

#### Electrical Ratings

|               |                 | UL E178356 |          |          | IEC | VDE                                    |
|---------------|-----------------|------------|----------|----------|-----|--|
| Usergroup     |                 | B          | C        | D        |     |  |
| Rated Voltage |                 | 300V       | 150V     | 300V     |     | 750V                                   |
| Rated Current |                 | 20A        | 20A      | 10A      |     | 24A                                    |
| Wire Size     | <i>solid</i>    | 24-12AWG   | 24-12AWG | 24-12AWG |     | 0.2mm <sup>2</sup> -2.5mm <sup>2</sup> |
|               | <i>stranded</i> | 24-12AWG   | 24-12AWG | 24-12AWG |     | 0.2mm <sup>2</sup> -2.5mm <sup>2</sup> |

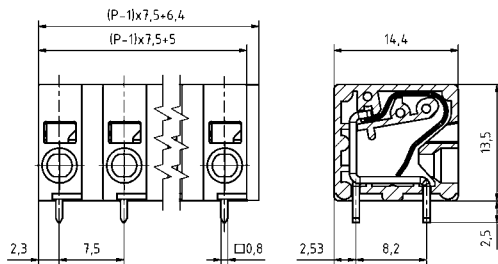
#### Ordering Information - Horizontal, Gray - RAL7012

| No. Poles | Order # | Type #            | Length (mm) | Std. Pack |
|-----------|---------|-------------------|-------------|-----------|
| 1         | 39.8301 | AK4200/1-7.5-H-G  | 6.40        | 100       |
| 2         | 39.8302 | AK4200/2-7.5-H-G  | 13.90       | 50        |
| 3         | 39.8303 | AK4200/3-7.5-H-G  | 21.40       | 50        |
| 4         | 39.8304 | AK4200/4-7.5-H-G  | 28.90       | 50        |
| 5         | 39.8305 | AK4200/5-7.5-H-G  | 36.40       | 50        |
| 6         | 39.8306 | AK4200/6-7.5-H-G  | 43.90       | 50        |
| 7         | 39.8307 | AK4200/7-7.5-H-G  | 51.40       | 50        |
| 8         | 39.8308 | AK4200/8-7.5-H-G  | 58.90       | 50        |
| 9         | 39.8309 | AK4200/9-7.5-H-G  | 66.40       | 50        |
| 10        | 39.8310 | AK4200/10-7.5-H-G | 73.90       | 50        |
| 11        | 39.8311 | AK4200/10-7.5-H-G | 81.40       | 50        |
| 12        | 39.8312 | AK4200/12-7.5-H-G | 88.90       | 50        |

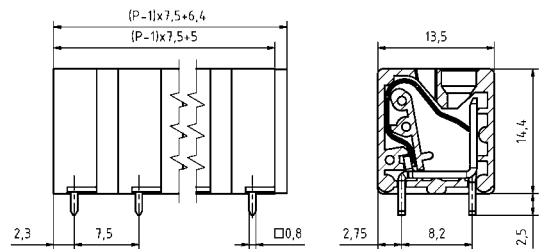
#### Ordering Information - Vertical, Gray - RAL7012

| No. Poles | Order # | Type #            | Length (mm) | Std. Pack |
|-----------|---------|-------------------|-------------|-----------|
| 1         | 39.8351 | AK4200/1-7.5-V-G  | 6.40        | 100       |
| 2         | 39.8352 | AK4200/2-7.5-V-G  | 13.90       | 50        |
| 3         | 39.8353 | AK4200/3-7.5-V-G  | 21.40       | 50        |
| 4         | 39.8354 | AK4200/4-7.5-V-G  | 28.90       | 50        |
| 5         | 39.8355 | AK4200/5-7.5-V-G  | 36.40       | 50        |
| 6         | 39.8356 | AK4200/6-7.5-V-G  | 43.90       | 50        |
| 7         | 39.8357 | AK4200/7-7.5-V-G  | 51.40       | 50        |
| 8         | 39.8358 | AK4200/8-7.5-V-G  | 58.90       | 50        |
| 9         | 39.8359 | AK4200/9-7.5-V-G  | 66.40       | 50        |
| 10        | 39.8360 | AK4200/10-7.5-V-G | 73.90       | 50        |
| 11        | 39.8361 | AK4200/10-7.5-V-G | 81.40       | 50        |
| 12        | 39.8362 | AK4200/12-7.5-V-G | 88.90       | 50        |

#### Dimensions (mm)



#### Dimensions (mm)



#### Material Specifications

|                       |                 |
|-----------------------|-----------------|
| Spring Clamp          | Stainless Steel |
| Solder Tab            | Copper Alloy    |
| Insulating Material   | PA 6.6          |
| Flammability Class    | UL94V-0         |
| Operating Temperature | -30°C - +105°C  |

#### Wave Solder Process

|                       |       |
|-----------------------|-------|
| Soldering Temperature | 265°C |
| Peak Soldering Time   | 3-4s  |

#### Installation Data

|                  |       |
|------------------|-------|
| Stripping Length | 10mm  |
| PCB Hole Size    | 1.1mm |

#### Other Colors Available

- BLACK, RAL 9011
- GREEN, RAL 6018
- ORANGE, RAL 2011
- RED, RAL 3003
- BLUE, RAL 5015

PUSH-IN

PCB POWER TERMINALS  
PUSH-IN

TENSION SPRING

PLUGGABLE  
PUSH-IN



# PCB Power Terminals (Push-In)

## 7.50 mm Pin Spacing

- Push-In Technology
- 35A
- Standard Color: Dark Gray



**AK4210/xx-7.5-H**  
HORIZONTAL

**AK4210/xx-7.5-V**  
VERTICAL

### Electrical Ratings

| Usergroup       | B       | C       | D       | -                                       |
|-----------------|---------|---------|---------|---|
| Rated Voltage   | 300V    | 150V    | 300V    | 450V                                    |
| Rated Current   | 35A     | 35A     | 10A     | 41A                                     |
| Wire Size       |         |         |         |   |
| <i>solid</i>    | 24-8AWG | 24-8AWG | 24-8AWG | 0.2mm <sup>2</sup> -10.0mm <sup>2</sup> |
| <i>stranded</i> | 24-8AWG | 24-8AWG | 24-8AWG | 0.2mm <sup>2</sup> -6.0mm <sup>2</sup>  |



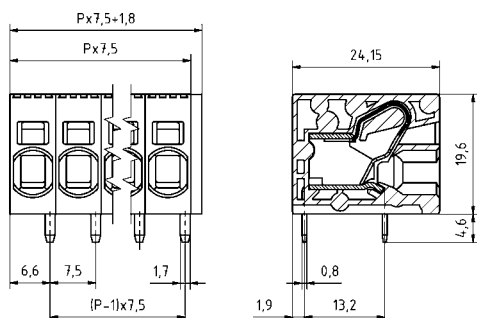
### Ordering Information - Horizontal, Gray - RAL7012

| No. Poles | Order # | Type #            | Length (mm) | Std. Pack |
|-----------|---------|-------------------|-------------|-----------|
| 1         | 39.8401 | AK4210/1-7.5-H-G  | 9.25        | 100       |
| 2         | 39.8402 | AK4210/2-7.5-H-G  | 16.75       | 50        |
| 3         | 39.8403 | AK4210/3-7.5-H-G  | 24.25       | 50        |
| 4         | 39.8404 | AK4210/4-7.5-H-G  | 31.75       | 50        |
| 5         | 39.8405 | AK4210/5-7.5-H-G  | 39.25       | 50        |
| 6         | 39.8406 | AK4210/6-7.5-H-G  | 46.75       | 50        |
| 7         | 39.8407 | AK4210/7-7.5-H-G  | 54.25       | 50        |
| 8         | 39.8408 | AK4210/8-7.5-H-G  | 61.75       | 50        |
| 9         | 39.8409 | AK4210/9-7.5-H-G  | 69.25       | 50        |
| 10        | 39.8410 | AK4210/10-7.5-H-G | 76.75       | 50        |
| 11        | 39.8411 | AK4210/10-7.5-H-G | 84.25       | 50        |
| 12        | 39.8412 | AK4210/12-7.5-H-G | 91.75       | 50        |

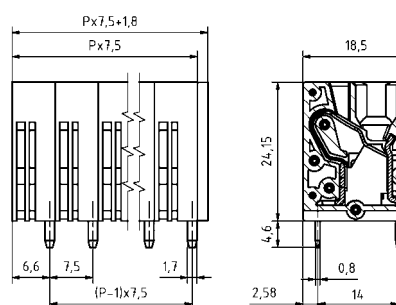
### Ordering Information - Vertical, Gray - RAL7012

| No. Poles | Order # | Type #            | Length (mm) | Std. Pack |
|-----------|---------|-------------------|-------------|-----------|
| 1         | 39.8451 | AK4210/1-7.5-V-G  | 9.25        | 100       |
| 2         | 39.8452 | AK4210/2-7.5-V-G  | 16.75       | 50        |
| 3         | 39.8453 | AK4210/3-7.5-V-G  | 24.25       | 50        |
| 4         | 39.8454 | AK4210/4-7.5-V-G  | 31.75       | 50        |
| 5         | 39.8455 | AK4210/5-7.5-V-G  | 39.25       | 50        |
| 6         | 39.8456 | AK4210/6-7.5-V-G  | 46.75       | 50        |
| 7         | 39.8457 | AK4210/7-7.5-V-G  | 54.25       | 50        |
| 8         | 39.8458 | AK4210/8-7.5-V-G  | 61.75       | 50        |
| 9         | 39.8459 | AK4210/9-7.5-V-G  | 69.25       | 50        |
| 10        | 39.8460 | AK4210/10-7.5-V-G | 76.75       | 50        |
| 11        | 39.8461 | AK4210/10-7.5-V-G | 84.25       | 50        |
| 12        | 39.8462 | AK4210/12-7.5-V-G | 91.75       | 50        |

### Dimensions (mm)



### Dimensions (mm)



### Material Specifications

|                       |                 |
|-----------------------|-----------------|
| Spring Clamp          | Stainless Steel |
| Solder Tab            | Copper Alloy    |
| Insulating Material   | PA 6.6          |
| Flammability Class    | UL94V-0         |
| Operating Temperature | -30°C - +105°C  |

### Wave Solder Process

|                       |       |
|-----------------------|-------|
| Soldering Temperature | 265°C |
| Peak Soldering Time   | 3-4s  |

### Installation Data

|                  |       |
|------------------|-------|
| Stripping Length | 15mm  |
| PCB Hole Size    | 2.1mm |

### Other Colors Available

- BLACK, RAL 9011**
- GREEN, RAL 6018**
- ORANGE, RAL 2011**
- RED, RAL 3003**
- BLUE, RAL 5015**

# PCB Power Terminals (Push-In)

## 7.5 mm Pin Spacing

- Push-In Technology
- 35A
- Zig-Zag Pin Style
- Standard Color: Dark Gray



**AK4210/xxVP-7.5-H**  
HORIZONTAL

**AK4210/xxVP-7.5-V**  
VERTICAL

| Electrical Ratings |                 | UL E178356 |         |         | IEC                                   | VDE |
|--------------------|-----------------|------------|---------|---------|---------------------------------------|-----|
| Usergroup          |                 | B          | C       | D       | -                                     | -   |
| Rated Voltage      |                 | 600V       | 600V    | 600V    | 1000V                                 |     |
| Rated Current      |                 | 35A        | 35A     | 5A      | 41A                                   |     |
| Wire Size          | <i>solid</i>    | 24-8AWG    | 24-8AWG | 24-8AWG | 0.2mm <sup>2</sup> -10mm <sup>2</sup> |     |
|                    | <i>stranded</i> | 24-8AWG    | 24-8AWG | 24-8AWG | 0.2mm <sup>2</sup> -6mm <sup>2</sup>  |     |

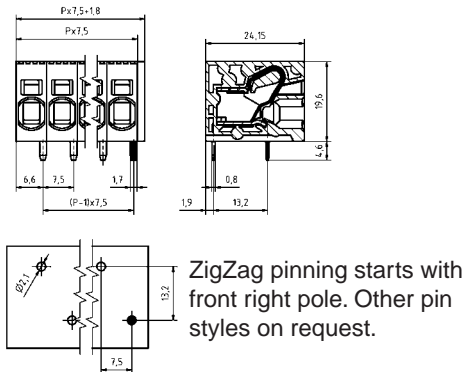
### Ordering Information - Horizontal, Gray - RAL7012

| No. Poles | Order # | Type #               | Length (mm) | Std. Pack |
|-----------|---------|----------------------|-------------|-----------|
| 1         | 39.8501 | AK4210/1-VP-7.5-H-G  | 9.25        | 100       |
| 2         | 39.8502 | AK4210/2-VP-7.5-H-G  | 16.75       | 50        |
| 3         | 39.8503 | AK4210/3-VP-7.5-H-G  | 24.25       | 50        |
| 4         | 39.8504 | AK4210/4-VP-7.5-H-G  | 31.75       | 50        |
| 5         | 39.8505 | AK4210/5-VP-7.5-H-G  | 39.25       | 50        |
| 6         | 39.8506 | AK4210/6-VP-7.5-H-G  | 46.75       | 50        |
| 7         | 39.8507 | AK4210/7-VP-7.5-H-G  | 54.25       | 50        |
| 8         | 39.8508 | AK4210/8-VP-7.5-H-G  | 61.75       | 50        |
| 9         | 39.8509 | AK4210/9-VP-7.5-H-G  | 69.25       | 50        |
| 10        | 39.8510 | AK4210/10-VP-7.5-H-G | 76.75       | 50        |
| 11        | 39.8511 | AK4210/10-VP-7.5-H-G | 84.25       | 50        |
| 12        | 39.8512 | AK4210/12-VP-7.5-H-G | 91.75       | 50        |

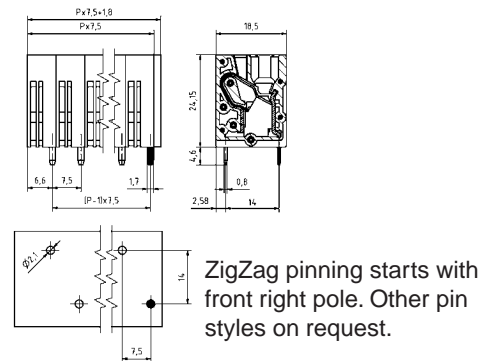
### Ordering Information - Vertical, Gray - RAL7012

| No. Poles | Order # | Type #               | Length (mm) | Std. Pack |
|-----------|---------|----------------------|-------------|-----------|
| 1         | 39.8551 | AK4210/1-VP-7.5-V-G  | 9.25        | 100       |
| 2         | 39.8552 | AK4210/2-VP-7.5-V-G  | 16.75       | 50        |
| 3         | 39.8553 | AK4210/3-VP-7.5-V-G  | 24.25       | 50        |
| 4         | 39.8554 | AK4210/4-VP-7.5-V-G  | 31.75       | 50        |
| 5         | 39.8555 | AK4210/5-VP-7.5-V-G  | 39.25       | 50        |
| 6         | 39.8556 | AK4210/6-VP-7.5-V-G  | 46.75       | 50        |
| 7         | 39.8557 | AK4210/7-VP-7.5-V-G  | 54.25       | 50        |
| 8         | 39.8558 | AK4210/8-VP-7.5-V-G  | 61.75       | 50        |
| 9         | 39.8559 | AK4210/9-VP-7.5-V-G  | 69.25       | 50        |
| 10        | 39.8560 | AK4210/10-VP-7.5-V-G | 76.75       | 50        |
| 11        | 39.8561 | AK4210/10-VP-7.5-V-G | 84.25       | 50        |
| 12        | 39.8562 | AK4210/12-VP-7.5-V-G | 91.75       | 50        |

### Dimensions (mm)



### Dimensions (mm)



### Material Specifications

|                       |                 |
|-----------------------|-----------------|
| Spring Clamp          | Stainless Steel |
| Solder Tab            | Copper Alloy    |
| Insulating Material   | PA 6.6          |
| Flammability Class    | UL94V-0         |
| Operating Temperature | -30°C - +105°C  |

### Wave Solder Process

|                       |       |
|-----------------------|-------|
| Soldering Temperature | 265°C |
| Peak Soldering Time   | 3-4s  |

### Installation Data

|                  |       |
|------------------|-------|
| Stripping Length | 15mm  |
| PCB Hole Size    | 2.1mm |

### Other Colors Available

- BLACK, RAL 9011**
- GREEN, RAL 6018**
- ORANGE, RAL 2011**
- RED, RAL 3003**
- BLUE, RAL 5015**

PUSH-IN

PCB POWER TERMINALS  
PUSH-IN

TENSION SPRING

PLUGGABLE  
PUSH-IN

# PCB Power Terminals (Push-In)

## 11.50 mm Pin Spacing

- Push-In Technology
- 35A
- Standard Color: Dark Gray



**AK4210/xx-11.5-H**

HORIZONTAL

**AK4210/xx-11.5-V**

VERTICAL

### Electrical Ratings

| Usergroup     | cULus<br>E178356                |         |         | IEC   | VDE |
|---------------|---------------------------------|---------|---------|---|-----|
|               | B                               | C       | D       | -   |     |
| Rated Voltage | 600V                            | 600V    | 600V    | 1000V   |     |
| Rated Current | 35A                             | 35A     | 5A      | 41A   |     |
| Wire Size     | <i>solid</i><br><i>stranded</i> | 24-8AWG | 24-8AWG | 0.2mm <sup>2</sup> -10mm <sup>2</sup><br>0.2mm <sup>2</sup> -6mm <sup>2</sup> |     |

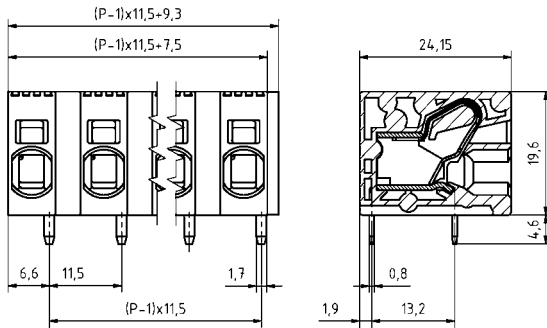
### Ordering Information - Horizontal, Gray - RAL7012

| No. Poles | Order # | Type #             | Length (mm) | Std. Pack |
|-----------|---------|--------------------|-------------|-----------|
| 1         | 39.8601 | AK4210/1-11.5-H-G  | 9.25        | 100       |
| 2         | 39.8602 | AK4210/2-11.5-H-G  | 20.75       | 50        |
| 3         | 39.8603 | AK4210/3-11.5-H-G  | 32.25       | 50        |
| 4         | 39.8604 | AK4210/4-11.5-H-G  | 43.75       | 50        |
| 5         | 39.8605 | AK4210/5-11.5-H-G  | 55.25       | 50        |
| 6         | 39.8606 | AK4210/6-11.5-H-G  | 66.75       | 50        |
| 7         | 39.8607 | AK4210/7-11.5-H-G  | 78.25       | 50        |
| 8         | 39.8608 | AK4210/8-11.5-H-G  | 89.25       | 50        |
| 9         | 39.8609 | AK4210/9-11.5-H-G  | 101.25      | 50        |
| 10        | 39.8610 | AK4210/10-11.5-H-G | 112.75      | 50        |
| 11        | 39.8611 | AK4210/10-11.5-H-G | 124.25      | 50        |
| 12        | 39.8612 | AK4210/12-11.5-H-G | 135.75      | 50        |

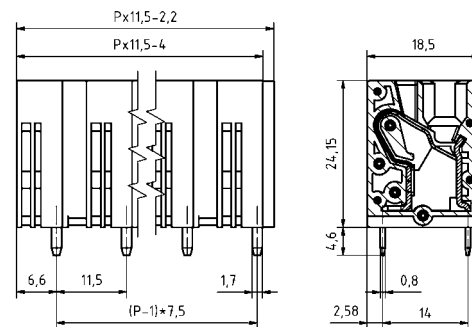
### Ordering Information - Vertical, Gray - RAL7012

| No. Poles | Order # | Type #             | Length (mm) | Std. Pack |
|-----------|---------|--------------------|-------------|-----------|
| 1         | 39.8651 | AK4210/1-11.5-V-G  | 9.25        | 100       |
| 2         | 39.8652 | AK4210/2-11.5-V-G  | 20.75       | 50        |
| 3         | 39.8653 | AK4210/3-11.5-V-G  | 32.25       | 50        |
| 4         | 39.8654 | AK4210/4-11.5-V-G  | 43.75       | 50        |
| 5         | 39.8655 | AK4210/5-11.5-V-G  | 55.25       | 50        |
| 6         | 39.8656 | AK4210/6-11.5-V-G  | 66.75       | 50        |
| 7         | 39.8657 | AK4210/7-11.5-V-G  | 78.25       | 50        |
| 8         | 39.8658 | AK4210/8-11.5-V-G  | 89.25       | 50        |
| 9         | 39.8659 | AK4210/9-11.5-V-G  | 101.25      | 50        |
| 10        | 39.8660 | AK4210/10-11.5-V-G | 112.75      | 50        |
| 11        | 39.8661 | AK4210/10-11.5-V-G | 124.25      | 50        |
| 12        | 39.8662 | AK4210/12-11.5-V-G | 135.75      | 50        |

### Dimensions (mm)



### Dimensions (mm)



### Material Specifications

|                       |                 |
|-----------------------|-----------------|
| Spring Clamp          | Stainless Steel |
| Solder Tab            | Copper Alloy    |
| Insulating Material   | PA 6.6          |
| Flammability Class    | UL94V-0         |
| Operating Temperature | -30°C - +105°C  |

### Wave Solder Process

|                       |       |
|-----------------------|-------|
| Soldering Temperature | 265°C |
| Peak Soldering Time   | 3-4s  |

### Installation Data

|                  |       |
|------------------|-------|
| Stripping Length | 15mm  |
| PCB Hole Size    | 2.1mm |

### Other Colors Available

- BLACK, RAL 9011**
- GREEN, RAL 6018**
- ORANGE, RAL 2011**
- RED, RAL 3003**
- BLUE, RAL 5015**



# PCB Sample Cases Available

Px5,08  
**PUSH-IN**

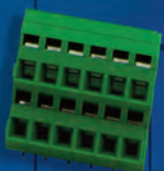
**PCB POWER  
TERMINALS  
PUSH-IN**

16,2  
**PLUGGABLE  
PUSH-IN**

**TENSION  
SPRINGS**



3,5  
0,5  
3,4  
10 16  
**Ask for our  
FREE Sample Case**  
**PCBSPRING-DEMO**



Dx21

21,1



1,75



[altechcorp.com/PCBs](http://altechcorp.com/PCBs) • 908.806.9400



# PCB Tension Spring Terminal

## 2.50 mm Pin Spacing

- 45° Wire Entry
- Tension Spring Technology
- Modular
- Standard Color: Light Gray



Without Lever

With Grooved Push-Lever

**AK3191/xx-2.5**

WITHOUT LEVER

**AK3191/xxKD-2.5**

WITH GROOVED PUSH-LEVER

### Electrical Ratings

| Usergroup     | B                     | C | D |  |  |  |
|---------------|-----------------------|---|---|--|--|--|
|               | 150V                  | - | - |  | 130V                                   |  |
| Rated Current | 4A                    | - | - |  | 9A                                     |  |
| Wire Size     | <i>solid</i> 28-20AWG | - | - |  | 0.2mm <sup>2</sup> -0.5mm <sup>2</sup> |  |
|               | <i>stranded</i> -     | - | - |  | -                                      |  |

### Ordering Information

### Without Lever

### With Grooved Lever

| No. Poles | Length (mm) | Std. Pack | Order #        | Type #        | Order #        | Type #          |
|-----------|-------------|-----------|----------------|---------------|----------------|-----------------|
| 1         | 4.50        | 100       | <b>38.1101</b> | AK3191/1-2.5  | <b>38.1201</b> | AK3191/1KD-2.5  |
| 2         | 7.00        | 100       | <b>38.1102</b> | AK3191/2-2.5  | <b>38.1202</b> | AK3191/2KD-2.5  |
| 3         | 9.50        | 100       | <b>38.1103</b> | AK3191/3-2.5  | <b>38.1203</b> | AK3191/3KD-2.5  |
| 4         | 12.00       | 50        | <b>38.1104</b> | AK3191/4-2.5  | <b>38.1204</b> | AK3191/4KD-2.5  |
| 5         | 14.50       | 50        | <b>38.1105</b> | AK3191/5-2.5  | <b>38.1205</b> | AK3191/5KD-2.5  |
| 6         | 17.00       | 50        | <b>38.1106</b> | AK3191/6-2.5  | <b>38.1206</b> | AK3191/6KD-2.5  |
| 7         | 19.50       | 50        | <b>38.1107</b> | AK3191/7-2.5  | <b>38.1207</b> | AK3191/7KD-2.5  |
| 8         | 22.00       | 50        | <b>38.1108</b> | AK3191/8-2.5  | <b>38.1208</b> | AK3191/8KD-2.5  |
| 9         | 24.50       | 50        | <b>38.1109</b> | AK3191/9-2.5  | <b>38.1209</b> | AK3191/9KD-2.5  |
| 10        | 27.00       | 50        | <b>38.1110</b> | AK3191/10-2.5 | <b>38.1210</b> | AK3191/10KD-2.5 |
| 11        | 29.50       | 50        | <b>38.1111</b> | AK3191/11-2.5 | <b>38.1211</b> | AK3191/11KD-2.5 |
| 12        | 32.00       | 50        | <b>38.1112</b> | AK3191/12-2.5 | <b>38.1212</b> | AK3191/12KD-2.5 |
| 13        | 34.50       | 20        | <b>38.1113</b> | AK3191/13-2.5 | <b>38.1213</b> | AK3191/13KD-2.5 |
| 14        | 37.00       | 20        | <b>38.1114</b> | AK3191/14-2.5 | <b>38.1214</b> | AK3191/14KD-2.5 |
| 15        | 39.50       | 20        | <b>38.1115</b> | AK3191/15-2.5 | <b>38.1215</b> | AK3191/15KD-2.5 |
| 16        | 42.00       | 20        | <b>38.1116</b> | AK3191/16-2.5 | <b>38.1216</b> | AK3191/16KD-2.5 |
| 17        | 44.50       | 20        | <b>38.1117</b> | AK3191/18-2.5 | <b>38.1217</b> | AK3191/17KD-2.5 |
| 18        | 47.00       | 20        | <b>38.1118</b> | AK3191/18-2.5 | <b>38.1218</b> | AK3191/18KD-2.5 |
| 19        | 49.50       | 20        | <b>38.1119</b> | AK3191/19-2.5 | <b>38.1219</b> | AK3191/19KD-2.5 |
| 20        | 52.00       | 10        | <b>38.1120</b> | AK3191/20-2.5 | <b>38.1220</b> | AK3191/20KD-2.5 |
| 21        | 54.50       | 10        | <b>38.1121</b> | AK3191/21-2.5 | <b>38.1221</b> | AK3191/21KD-2.5 |
| 22        | 57.00       | 10        | <b>38.1122</b> | AK3191/22-2.5 | <b>38.1222</b> | AK3191/22KD-2.5 |
| 23        | 59.50       | 10        | <b>38.1123</b> | AK3191/23-2.5 | <b>38.1223</b> | AK3191/23KD-2.5 |
| 24        | 62.00       | 10        | <b>38.1124</b> | AK3191/24-2.5 | <b>38.1224</b> | AK3191/24KD-2.5 |

### Material Specifications

|                       |                 |
|-----------------------|-----------------|
| Tension Spring        | Stainless Steel |
| Solder Tab            | Copper Alloy    |
| Insulating Material   | PA 6.6          |
| Flammability Class    | UL94V-0         |
| Operating Temperature | -30°C - +105°C  |

### Wave Solder Process

|                       |       |
|-----------------------|-------|
| Soldering Temperature | 265°C |
| Peak Soldering Time   | 3-4s  |

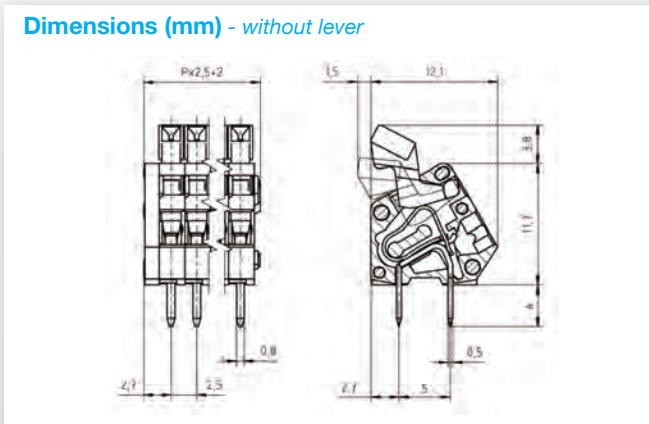
### Installation Data

|                  |       |
|------------------|-------|
| Stripping Length | 5mm   |
| PCB Hole Size    | 1.1mm |

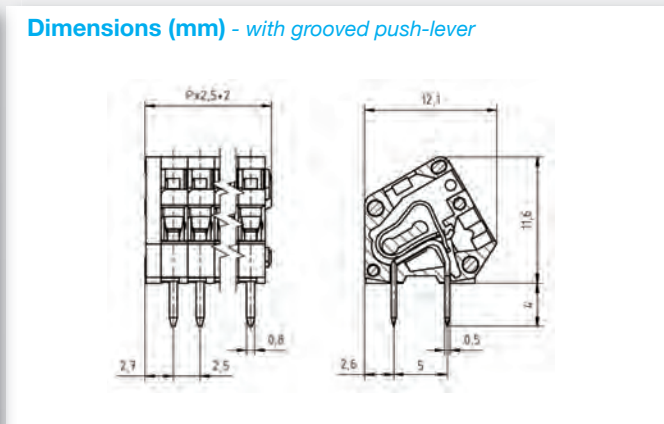
### Other Colors Available

**ORANGE, RAL 2011**

Dimensions (mm) - without lever



Dimensions (mm) - with grooved push-lever



PUSH-IN

PCB POWER TERMINALS  
PUSH-IN

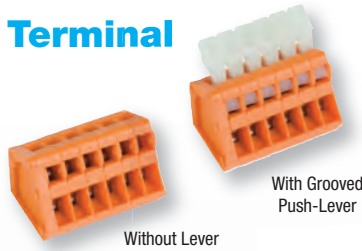
TENSION SPRING

PLUGGABLE  
PUSH-IN

# PCB Tension Spring Terminal

## 2.54 mm Pin Spacing

- 45° Wire Entry
- Tension Spring Technology
- Modular
- Standard Color: Orange



### AKZ3191/xx-2.54

WITHOUT LEVER

### AKZ3191/xxKD-2.54

WITH GROOVED PUSH-LEVER

| Electrical Ratings |                 |          |   | UL<br>E178356 | IEC | VDE                                    |
|--------------------|-----------------|----------|---|---------------|-----|--|
| Usergroup          | B               | C        | D |               |     |  |
|                    | 150V            | -        | - |               |     | 130V                                   |
| Rated Current      | 4A              | -        | - |               |     | 9A                                     |
| Wire Size          | <i>solid</i>    | 28-20AWG | - |               |     | 0.2mm <sup>2</sup> -0.5mm <sup>2</sup> |
|                    | <i>stranded</i> | -        | - |               |     | -                                      |

| Ordering Information |  |  | Without Lever | With Grooved Lever |
|----------------------|--|--|---------------|--------------------|
|----------------------|--|--|---------------|--------------------|

| No. Poles | Length (mm) | Std. Pack | Order # | Type #         | Order # | Type #           |
|-----------|-------------|-----------|---------|----------------|---------|------------------|
| 1         | 4.54        | 100       | 38.1301 | AK3191/1-2.54  | 38.1401 | AK3191/1KD-2.54  |
| 2         | 7.08        | 100       | 38.1302 | AK3191/2-2.54  | 38.1402 | AK3191/2KD-2.54  |
| 3         | 9.62        | 100       | 38.1303 | AK3191/3-2.54  | 38.1403 | AK3191/3KD-2.54  |
| 4         | 12.16       | 50        | 38.1304 | AK3191/4-2.54  | 38.1404 | AK3191/4KD-2.54  |
| 5         | 14.70       | 50        | 38.1305 | AK3191/5-2.54  | 38.1405 | AK3191/5KD-2.54  |
| 6         | 17.24       | 50        | 38.1306 | AK3191/6-2.54  | 38.1406 | AK3191/6KD-2.54  |
| 7         | 19.78       | 50        | 38.1307 | AK3191/7-2.54  | 38.1407 | AK3191/7KD-2.54  |
| 8         | 22.32       | 50        | 38.1308 | AK3191/8-2.54  | 38.1408 | AK3191/8KD-2.54  |
| 9         | 24.86       | 50        | 38.1309 | AK3191/9-2.54  | 38.1409 | AK3191/9KD-2.54  |
| 10        | 27.40       | 50        | 38.1310 | AK3191/10-2.54 | 38.1410 | AK3191/10KD-2.54 |
| 11        | 29.94       | 50        | 38.1311 | AK3191/11-2.54 | 38.1411 | AK3191/11KD-2.54 |
| 12        | 32.48       | 50        | 38.1312 | AK3191/12-2.54 | 38.1412 | AK3191/12KD-2.54 |
| 13        | 35.02       | 20        | 38.1313 | AK3191/13-2.54 | 38.1413 | AK3191/13KD-2.54 |
| 14        | 37.56       | 20        | 38.1314 | AK3191/14-2.54 | 38.1414 | AK3191/14KD-2.54 |
| 15        | 40.10       | 20        | 38.1315 | AK3191/15-2.54 | 38.1415 | AK3191/15KD-2.54 |
| 16        | 42.64       | 20        | 38.1316 | AK3191/16-2.54 | 38.1416 | AK3191/16KD-2.54 |
| 17        | 45.18       | 20        | 38.1317 | AK3191/18-2.54 | 38.1417 | AK3191/17KD-2.54 |
| 18        | 47.72       | 20        | 38.1318 | AK3191/18-2.54 | 38.1418 | AK3191/18KD-2.54 |
| 19        | 50.26       | 20        | 38.1319 | AK3191/19-2.54 | 38.1419 | AK3191/19KD-2.54 |
| 20        | 52.80       | 10        | 38.1320 | AK3191/20-2.54 | 38.1420 | AK3191/20KD-2.54 |
| 21        | 55.34       | 10        | 38.1321 | AK3191/21-2.54 | 38.1421 | AK3191/21KD-2.54 |
| 22        | 57.88       | 10        | 38.1322 | AK3191/22-2.54 | 38.1422 | AK3191/22KD-2.54 |
| 23        | 60.42       | 10        | 38.1323 | AK3191/23-2.54 | 38.1423 | AK3191/23KD-2.54 |
| 24        | 62.96       | 10        | 38.1324 | AK3191/24-2.54 | 38.1424 | AK3191/24KD-2.54 |

| Material Specifications |                 |
|-------------------------|-----------------|
| Tension Spring          | Stainless Steel |
| Solder Tab              | Copper Alloy    |
| Insulating Material     | PA 6.6          |
| Flammability Class      | UL94V-0         |
| Operating Temperature   | -30°C - +105°C  |

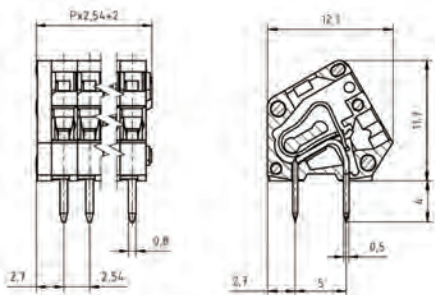
| Wave Solder Process   |       |
|-----------------------|-------|
| Soldering Temperature | 265°C |
| Peak Soldering Time   | 3-4s  |

| Installation Data |       |
|-------------------|-------|
| Stripping Length  | 5mm   |
| PCB Hole Size     | 1.1mm |

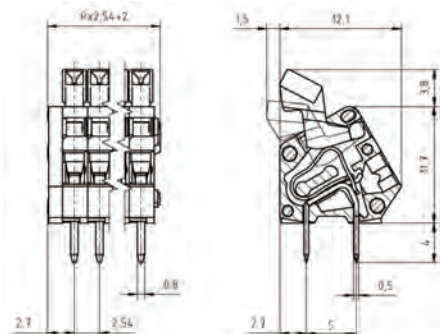
#### Other Colors Available

■ LIGHT GRAY, RAL 7032

Dimensions (mm) - without lever



Dimensions (mm) - with grooved push-lever

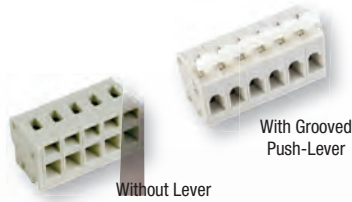




# PCB Tension Spring Terminal

## 5.00 mm Pin Spacing

- Tension Spring Technology
- Modular
- Various Colors
- Standard Color: Gray



### AK3100/xx-5.0

WITHOUT LEVER

### AK3101/xxKD-5.0

WITH GROOVED PUSH-LEVER

#### Electrical Ratings

|               |                 | UL E178356 |   | IEC      | VDE                                    |
|---------------|-----------------|------------|---|----------|--|
| Usergroup     |                 | B          | C | D        | -                                      |
|               |                 | 300V       | - | 300V     | 250V                                   |
| Rated Current |                 | 16A        | - | 10A      | 24A                                    |
| Wire Size     | <i>solid</i>    | 28-14AWG   | - | 28-14AWG | 0.5mm <sup>2</sup> -2.5mm <sup>2</sup> |
|               | <i>stranded</i> | 28-14AWG   | - | 28-14AWG | 0.5mm <sup>2</sup> -2.5mm <sup>2</sup> |

#### Ordering Information

#### Without Lever

#### With Grooved Lever

| No. Poles | Length (mm) | Std. Pack | Order # | Type #        | Order # | Type #          |
|-----------|-------------|-----------|---------|---------------|---------|-----------------|
| 1         | 7.20        | 100       | 38.2501 | AK3100/1-5.0  | 38.2601 | AK3101/1KD-5.0  |
| 2         | 12.20       | 100       | 38.2502 | AK3100/2-5.0  | 38.2602 | AK3101/2KD-5.0  |
| 3         | 17.20       | 100       | 38.2503 | AK3100/3-5.0  | 38.2603 | AK3101/3KD-5.0  |
| 4         | 22.20       | 50        | 38.2504 | AK3100/4-5.0  | 38.2604 | AK3101/4KD-5.0  |
| 5         | 27.20       | 50        | 38.2505 | AK3100/5-5.0  | 38.2605 | AK3101/5KD-5.0  |
| 6         | 32.20       | 50        | 38.2506 | AK3100/6-5.0  | 38.2606 | AK3101/6KD-5.0  |
| 7         | 37.20       | 50        | 38.2507 | AK3100/7-5.0  | 38.2607 | AK3101/7KD-5.0  |
| 8         | 42.20       | 50        | 38.2508 | AK3100/8-5.0  | 38.2608 | AK3101/8KD-5.0  |
| 9         | 47.20       | 50        | 38.2509 | AK3100/9-5.0  | 38.2609 | AK3101/9KD-5.0  |
| 10        | 52.20       | 50        | 38.2510 | AK3100/10-5.0 | 38.2610 | AK3101/10KD-5.0 |
| 11        | 57.20       | 50        | 38.2511 | AK3100/11-5.0 | 38.2611 | AK3101/11KD-5.0 |
| 12        | 62.20       | 50        | 38.2512 | AK3100/12-5.0 | 38.2612 | AK3101/12KD-5.0 |
| 13        | 67.20       | 20        | 38.2513 | AK3100/13-5.0 | 38.2613 | AK3101/13KD-5.0 |
| 14        | 72.20       | 20        | 38.2514 | AK3100/14-5.0 | 38.2614 | AK3101/14KD-5.0 |
| 15        | 77.20       | 20        | 38.2515 | AK3100/15-5.0 | 38.2615 | AK3101/15KD-5.0 |
| 16        | 82.20       | 20        | 38.2516 | AK3100/16-5.0 | 38.2616 | AK3101/16KD-5.0 |
| 17        | 87.20       | 20        | 38.2517 | AK3100/18-5.0 | 38.2617 | AK3101/17KD-5.0 |
| 18        | 92.20       | 20        | 38.2518 | AK3100/18-5.0 | 38.2618 | AK3101/18KD-5.0 |
| 19        | 97.20       | 20        | 38.2519 | AK3100/19-5.0 | 38.2619 | AK3101/19KD-5.0 |
| 20        | 102.20      | 10        | 38.2520 | AK3100/20-5.0 | 38.2620 | AK3101/20KD-5.0 |
| 21        | 107.20      | 10        | 38.2521 | AK3100/21-5.0 | 38.2621 | AK3101/21KD-5.0 |
| 22        | 112.20      | 10        | 38.2522 | AK3100/22-5.0 | 38.2622 | AK3101/22KD-5.0 |
| 23        | 117.20      | 10        | 38.2523 | AK3100/23-5.0 | 38.2623 | AK3101/23KD-5.0 |
| 24        | 122.20      | 10        | 38.2524 | AK3100/24-5.0 | 38.2624 | AK3101/24KD-5.0 |

#### Material Specifications

|                       |                 |
|-----------------------|-----------------|
| Tension Spring        | Stainless Steel |
| Solder Tab            | Copper Alloy    |
| Insulating Material   | PA 6.6          |
| Flammability Class    | UL94V-0         |
| Operating Temperature | -30°C - +105°C  |

#### Wave Solder Process

|                       |       |
|-----------------------|-------|
| Soldering Temperature | 265°C |
| Peak Soldering Time   | 3-10s |

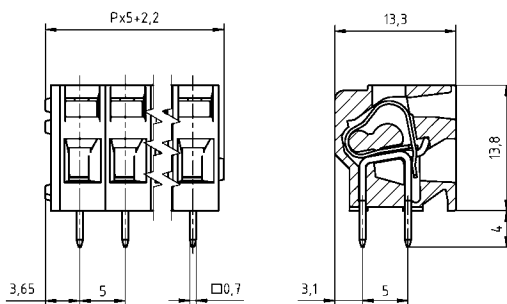
#### Installation Data

|                  |       |
|------------------|-------|
| Stripping Length | 6mm   |
| PCB Hole Size    | 1.1mm |

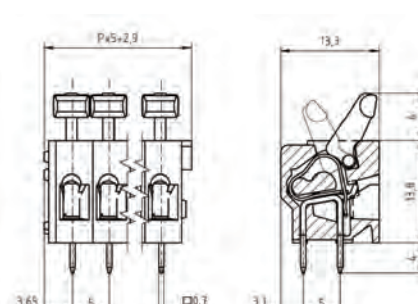
#### Other Colors Available

- GREEN, RAL 6018
- ORANGE, RAL 2011
- BLUE, RAL 5015

#### Dimensions (mm) - without lever



#### Dimensions (mm) - with grooved push-lever



PUSH-IN

PCB POWER TERMINALS  
PUSH-IN

TENSION SPRING

PLUGGABLE  
PUSH-IN

# PCB Tension Spring Terminal

## 5.00 mm Pin Spacing

- Tension Spring Technology
- Modular
- Various Colors
- Standard Color: Gray



With Angled Push-Lever

# AK3101/xxWD-5.0

WITH ANGLED PUSH-LEVER

### Electrical Ratings

| Usergroup     | B               | C        | D   | IEC      | VDE                                    |
|---------------|-----------------|----------|-----|----------|--|
|               |                 | 300V     | —   | 300V     | —                                      |
| Rated Current | 16A             | —        | 10A | 250V     | 24A                                    |
| Wire Size     | <i>solid</i>    | 28-14AWG | —   | 28-14AWG | 0.5mm <sup>2</sup> -2.5mm <sup>2</sup> |
|               | <i>stranded</i> | 28-14AWG | —   | 28-14AWG | 0.5mm <sup>2</sup> -2.5mm <sup>2</sup> |



### Ordering Information

### With Angled Lever

| No. Poles | Length (mm) | Std. Pack | Order #        | Type #          |
|-----------|-------------|-----------|----------------|-----------------|
| 1         | 7.20        | 100       | <b>38.2701</b> | AK3101/1WD-5.0  |
| 2         | 12.20       | 100       | <b>38.2702</b> | AK3101/2WD-5.0  |
| 3         | 17.20       | 100       | <b>38.2703</b> | AK3101/3KD-5.0  |
| 4         | 22.20       | 50        | <b>38.2704</b> | AK3101/4KD-5.0  |
| 5         | 27.20       | 50        | <b>38.2705</b> | AK3101/5KD-5.0  |
| 6         | 32.20       | 50        | <b>38.2706</b> | AK3101/6KD-5.0  |
| 7         | 37.20       | 50        | <b>38.2707</b> | AK3101/7KD-5.0  |
| 8         | 42.20       | 50        | <b>38.2708</b> | AK3101/8KD-5.0  |
| 9         | 47.20       | 50        | <b>38.2709</b> | AK3101/9KD-5.0  |
| 10        | 52.20       | 50        | <b>38.2710</b> | AK3101/10KD-5.0 |
| 11        | 57.20       | 50        | <b>38.2711</b> | AK3101/11KD-5.0 |
| 12        | 62.20       | 50        | <b>38.2712</b> | AK3101/12KD-5.0 |
| 13        | 67.20       | 20        | <b>38.2713</b> | AK3101/13KD-5.0 |
| 14        | 72.20       | 20        | <b>38.2714</b> | AK3101/14KD-5.0 |
| 15        | 77.20       | 20        | <b>38.2715</b> | AK3101/15KD-5.0 |
| 16        | 82.20       | 20        | <b>38.2716</b> | AK3101/16KD-5.0 |
| 17        | 87.20       | 20        | <b>38.2717</b> | AK3101/17KD-5.0 |
| 18        | 92.20       | 20        | <b>38.2718</b> | AK3101/18KD-5.0 |
| 19        | 97.20       | 20        | <b>38.2719</b> | AK3101/19KD-5.0 |
| 20        | 102.20      | 10        | <b>38.2720</b> | AK3101/20KD-5.0 |
| 21        | 107.20      | 10        | <b>38.2721</b> | AK3101/21KD-5.0 |
| 22        | 112.20      | 10        | <b>38.2722</b> | AK3101/22KD-5.0 |
| 23        | 117.20      | 10        | <b>38.2723</b> | AK3101/23KD-5.0 |
| 24        | 122.20      | 10        | <b>38.2724</b> | AK3101/24KD-5.0 |

### Material Specifications

|                       |                 |
|-----------------------|-----------------|
| Tension Spring        | Stainless Steel |
| Solder Tab            | Copper Alloy    |
| Insulating Material   | PA 6.6          |
| Flammability Class    | UL94V-0         |
| Operating Temperature | -30°C - +105°C  |

### Wave Solder Process

|                       |       |
|-----------------------|-------|
| Soldering Temperature | 265°C |
| Peak Soldering Time   | 3-10s |

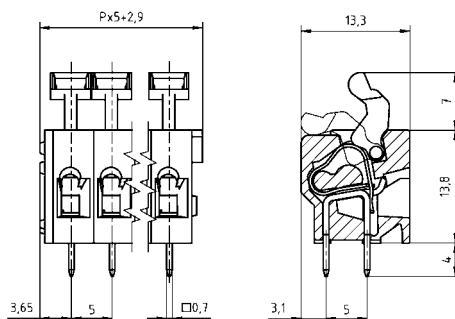
### Installation Data

|                  |       |
|------------------|-------|
| Stripping Length | 6mm   |
| PCB Hole Size    | 1.1mm |

### Other Colors Available

- GREEN, RAL 6018
- ORANGE, RAL 2011
- BLUE, RAL 5015

### Dimensions (mm) - with flat push-lever



PUSH-IN

PCB POWER TERMINALS  
PUSH-IN

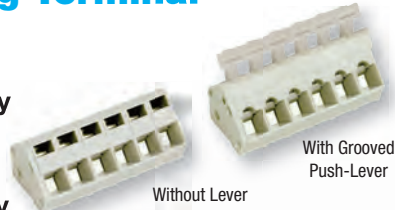
TENSION SPRING

PLUGGABLE  
PUSH-IN

# PCB Tension Spring Terminal

## 5.00 mm Pin Spacing

- 45° Wire Entry
- Tension Spring Technology
- Modular
- Various Colors
- Standard Color: Light Gray



### AK3000/xx-5.0

WITHOUT LEVER

### AK3001/xxKD-5.0

WITH GROOVED PUSH-LEVER

#### Electrical Ratings

| Usergroup     | UL E178356               |   |          | IEC | VDE                                    |
|---------------|--------------------------|---|----------|-----|--|
|               | B                        | C | D        |     |  |
|               | 300V                     | — | 300V     | —   | 250V                                   |
| Rated Current | 15A                      | — | 10A      | —   | 24A                                    |
| Wire Size     | <i>solid</i> 28-14AWG    | — | 28-14AWG | —   | 0.5mm <sup>2</sup> -2.5mm <sup>2</sup> |
|               | <i>stranded</i> 28-14AWG | — | 28-14AWG | —   | 0.5mm <sup>2</sup> -2.5mm <sup>2</sup> |

#### Ordering Information

#### Without Lever

#### With Grooved Lever

| No. Poles | Length (mm) | Std. Pack | Order # | Type #        | Order # | Type #          |
|-----------|-------------|-----------|---------|---------------|---------|-----------------|
| 1         | 7.20        | 100       | 38.2101 | AK3000/1-5.0  | 38.2201 | AK3001/1KD-5.0  |
| 2         | 12.20       | 100       | 38.2102 | AK3000/2-5.0  | 38.2202 | AK3001/2KD-5.0  |
| 3         | 17.20       | 100       | 38.2103 | AK3000/3-5.0  | 38.2203 | AK3001/3KD-5.0  |
| 4         | 22.20       | 50        | 38.2104 | AK3000/4-5.0  | 38.2204 | AK3001/4KD-5.0  |
| 5         | 27.20       | 50        | 38.2105 | AK3000/5-5.0  | 38.2205 | AK3001/5KD-5.0  |
| 6         | 32.20       | 50        | 38.2106 | AK3000/6-5.0  | 38.2206 | AK3001/6KD-5.0  |
| 7         | 37.20       | 50        | 38.2107 | AK3000/7-5.0  | 38.2207 | AK3001/7KD-5.0  |
| 8         | 42.20       | 50        | 38.2108 | AK3000/8-5.0  | 38.2208 | AK3001/8KD-5.0  |
| 9         | 47.20       | 50        | 38.2109 | AK3000/9-5.0  | 38.2209 | AK3001/9KD-5.0  |
| 10        | 52.20       | 50        | 38.2110 | AK3000/10-5.0 | 38.2210 | AK3001/10KD-5.0 |
| 11        | 57.20       | 50        | 38.2111 | AK3000/11-5.0 | 38.2211 | AK3001/11KD-5.0 |
| 12        | 62.20       | 50        | 38.2112 | AK3000/12-5.0 | 38.2212 | AK3001/12KD-5.0 |
| 13        | 67.20       | 20        | 38.2113 | AK3000/13-5.0 | 38.2213 | AK3001/13KD-5.0 |
| 14        | 72.20       | 20        | 38.2114 | AK3000/14-5.0 | 38.2214 | AK3001/14KD-5.0 |
| 15        | 77.20       | 20        | 38.2115 | AK3000/15-5.0 | 38.2215 | AK3001/15KD-5.0 |
| 16        | 82.20       | 20        | 38.2116 | AK3000/16-5.0 | 38.2216 | AK3001/16KD-5.0 |
| 17        | 87.20       | 20        | 38.2117 | AK3000/18-5.0 | 38.2217 | AK3001/17KD-5.0 |
| 18        | 92.20       | 20        | 38.2118 | AK3000/18-5.0 | 38.2218 | AK3001/18KD-5.0 |
| 19        | 97.20       | 20        | 38.2119 | AK3000/19-5.0 | 38.2219 | AK3001/19KD-5.0 |
| 20        | 102.20      | 10        | 38.2120 | AK3000/20-5.0 | 38.2220 | AK3001/20KD-5.0 |
| 21        | 107.20      | 10        | 38.2121 | AK3000/21-5.0 | 38.2221 | AK3001/21KD-5.0 |
| 22        | 112.20      | 10        | 38.2122 | AK3000/22-5.0 | 38.2222 | AK3001/22KD-5.0 |
| 23        | 117.20      | 10        | 38.2123 | AK3000/23-5.0 | 38.2223 | AK3001/23KD-5.0 |
| 24        | 122.20      | 10        | 38.2124 | AK3000/24-5.0 | 38.2224 | AK3001/24KD-5.0 |

#### Material Specifications

|                       |                 |
|-----------------------|-----------------|
| Tension Spring        | Stainless Steel |
| Solder Tab            | Copper Alloy    |
| Insulating Material   | PA 6.6          |
| Flammability Class    | UL94V-0         |
| Operating Temperature | -30°C - +105°C  |

#### Wave Solder Process

|                       |       |
|-----------------------|-------|
| Soldering Temperature | 265°C |
| Peak Soldering Time   | 3-10s |

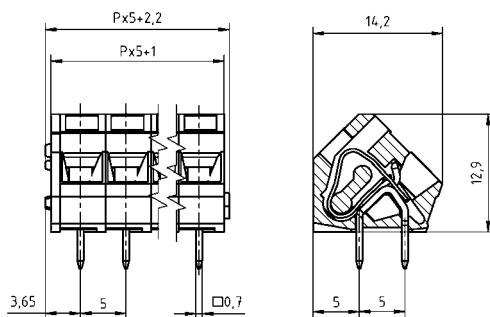
#### Installation Data

|                  |       |
|------------------|-------|
| Stripping Length | 6mm   |
| PCB Hole Size    | 1.1mm |

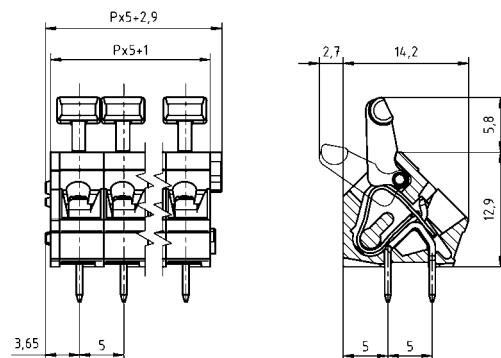
#### Other Colors Available

- GREEN, RAL 6018
- ORANGE, RAL 2011
- BLUE, RAL 5015

#### Dimensions (mm) - without lever



#### Dimensions (mm) - with grooved push-lever



PUSH-IN

PCB POWER TERMINALS  
PUSH-IN

TENSION SPRING

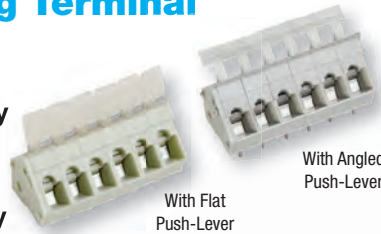
PLUGGABLE  
PUSH-IN



# PCB Tension Spring Terminal

## 5.00 mm Pin Spacing

- 45° Wire Entry
- Tension Spring Technology
- Modular
- Various Colors
- Standard Color: Light Gray



With Flat Push-Lever

With Angled Push-Lever

**AK3001-/xxFD-5.0**  
WITH FLAT PUSH-LEVER

**AK3001-/xxWD-5.0**  
WITH ANGLED PUSH-LEVER

| Electrical Ratings |                 |          | UL E178356 |          | IEC VDE                                |  |
|--------------------|-----------------|----------|------------|----------|--|--|
| Usergroup          | B               | C        | D          | -        |  |  |
|                    | 300V            | -        | 300V       | 250V     |  |  |
| Rated Current      | 15A             | -        | 10A        | 24A      |  |  |
| Wire Size          | <i>solid</i>    | 28-14AWG | -          | 28-14AWG | 0.5mm <sup>2</sup> -2.5mm <sup>2</sup> |  |
|                    | <i>stranded</i> | 28-14AWG | -          | 28-14AWG | 0.5mm <sup>2</sup> -2.5mm <sup>2</sup> |  |

### Ordering Information

| Ordering Information |             |           | With Flat Lever |                 | With Angled Lever |                 |
|----------------------|-------------|-----------|-----------------|-----------------|-------------------|-----------------|
| No. Poles            | Length (mm) | Std. Pack | Order #         | Type #          | Order #           | Type #          |
| 1                    | 7.20        | 100       | <b>38.2301</b>  | AK3001/1FD-5.0  | <b>38.2401</b>    | AK3001/1WD-5.0  |
| 2                    | 12.20       | 100       | <b>38.2302</b>  | AK3001/2FD-5.0  | <b>38.2402</b>    | AK3001/2WD-5.0  |
| 3                    | 17.20       | 100       | <b>38.2303</b>  | AK3001/3FD-5.0  | <b>38.2403</b>    | AK3001/3WD-5.0  |
| 4                    | 22.20       | 50        | <b>38.2304</b>  | AK3001/4FD-5.0  | <b>38.2404</b>    | AK3001/4WD-5.0  |
| 5                    | 27.20       | 50        | <b>38.2305</b>  | AK3001/5FD-5.0  | <b>38.2405</b>    | AK3001/5WD-5.0  |
| 6                    | 32.20       | 50        | <b>38.2306</b>  | AK3001/6FD-5.0  | <b>38.2406</b>    | AK3001/6WD-5.0  |
| 7                    | 37.20       | 50        | <b>38.2307</b>  | AK3001/7FD-5.0  | <b>38.2407</b>    | AK3001/7WD-5.0  |
| 8                    | 42.20       | 50        | <b>38.2308</b>  | AK3001/8FD-5.0  | <b>38.2408</b>    | AK3001/8WD-5.0  |
| 9                    | 47.20       | 50        | <b>38.2309</b>  | AK3001/9FD-5.0  | <b>38.2409</b>    | AK3001/9WD-5.0  |
| 10                   | 52.20       | 50        | <b>38.2310</b>  | AK3001/10FD-5.0 | <b>38.2410</b>    | AK3001/10WD-5.0 |
| 11                   | 57.20       | 50        | <b>38.2311</b>  | AK3001/11FD-5.0 | <b>38.2411</b>    | AK3001/11WD-5.0 |
| 12                   | 62.20       | 50        | <b>38.2312</b>  | AK3001/12FD-5.0 | <b>38.2412</b>    | AK3001/12WD-5.0 |
| 13                   | 67.20       | 20        | <b>38.2313</b>  | AK3001/13FD-5.0 | <b>38.2413</b>    | AK3001/13WD-5.0 |
| 14                   | 72.20       | 20        | <b>38.2314</b>  | AK3001/14FD-5.0 | <b>38.2414</b>    | AK3001/14WD-5.0 |
| 15                   | 77.20       | 20        | <b>38.2315</b>  | AK3001/15FD-5.0 | <b>38.2415</b>    | AK3001/15WD-5.0 |
| 16                   | 82.20       | 20        | <b>38.2316</b>  | AK3001/16FD-5.0 | <b>38.2416</b>    | AK3001/16WD-5.0 |
| 17                   | 87.20       | 20        | <b>38.2317</b>  | AK3001/18FD-5.0 | <b>38.2417</b>    | AK3001/17WD-5.0 |
| 18                   | 92.20       | 20        | <b>38.2318</b>  | AK3001/18FD-5.0 | <b>38.2418</b>    | AK3001/18WD-5.0 |
| 19                   | 97.20       | 20        | <b>38.2319</b>  | AK3001/19FD-5.0 | <b>38.2419</b>    | AK3001/19WD-5.0 |
| 20                   | 102.20      | 10        | <b>38.2320</b>  | AK3001/20FD-5.0 | <b>38.2420</b>    | AK3001/20WD-5.0 |
| 21                   | 107.20      | 10        | <b>38.2321</b>  | AK3001/21FD-5.0 | <b>38.2421</b>    | AK3001/21WD-5.0 |
| 22                   | 112.20      | 10        | <b>38.2322</b>  | AK3001/22FD-5.0 | <b>38.2422</b>    | AK3001/22WD-5.0 |
| 23                   | 117.20      | 10        | <b>38.2323</b>  | AK3001/23FD-5.0 | <b>38.2423</b>    | AK3001/23WD-5.0 |
| 24                   | 122.20      | 10        | <b>38.2324</b>  | AK3001/24FD-5.0 | <b>38.2424</b>    | AK3001/24WD-5.0 |

### Material Specifications

|                       |                 |
|-----------------------|-----------------|
| Tension Spring        | Stainless Steel |
| Solder Tab            | Copper Alloy    |
| Insulating Material   | PA 6.6          |
| Flammability Class    | UL94V-0         |
| Operating Temperature | -30°C - +105°C  |

### Wave Solder Process

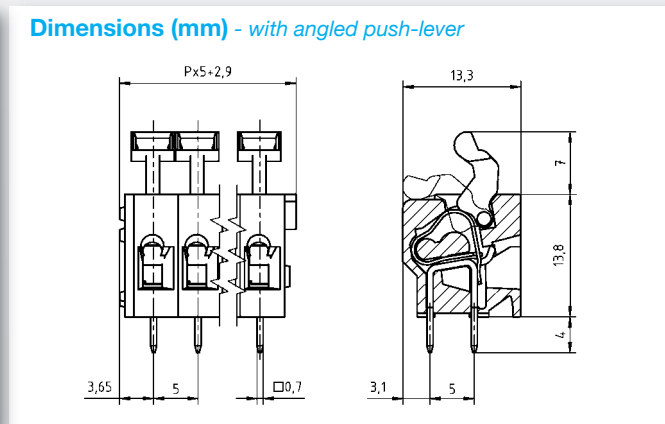
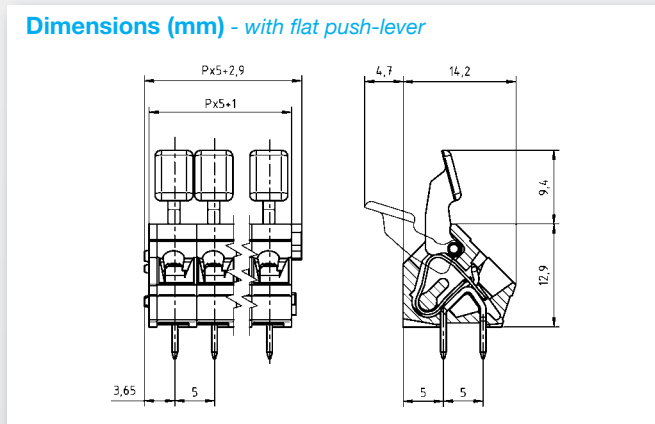
|                       |       |
|-----------------------|-------|
| Soldering Temperature | 265°C |
| Peak Soldering Time   | 3-10s |

### Installation Data

|                  |       |
|------------------|-------|
| Stripping Length | 6mm   |
| PCB Hole Size    | 1.1mm |

### Other Colors Available

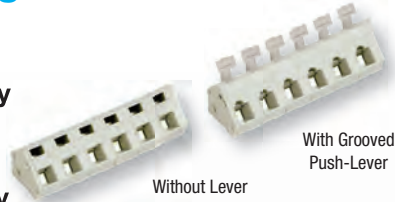
- GREEN, RAL 6018
- ORANGE, RAL 2011
- BLUE, RAL 5015



# PCB Tension Spring Terminal

## 7.50 mm Pin Spacing

- 45° Wire Entry
- Tension Spring Technology
- Modular
- Various Colors
- Standard Color: Light Gray



### AK3010/xx-7.5

WITHOUT LEVER

### AK3011/xxKD-7.5

WITH GROOVED PUSH-LEVER

#### Electrical Ratings

| Usergroup     | B                        | C | D        |  |
|---------------|--------------------------|---|----------|--|
|               | 300V                     | — | 300V     | 750V                                   |
| Rated Current | 16A                      | — | 10A      | 24A                                    |
| Wire Size     | <i>solid</i> 28-14AWG    | — | 28-14AWG | 0.5mm <sup>2</sup> -2.5mm <sup>2</sup> |
|               | <i>stranded</i> 28-14AWG | — | 28-14AWG | 0.5mm <sup>2</sup> -2.5mm <sup>2</sup> |



#### Ordering Information

#### Without Lever

#### With Grooved Lever

| No. Poles | Length (mm) | Std. Pack | Order # | Type #        | Order # | Type #          |
|-----------|-------------|-----------|---------|---------------|---------|-----------------|
| 1         | 9.70        | 100       | 38.4101 | AK3010/1-7.5  | 38.4201 | AK3011/1KD-7.5  |
| 2         | 17.20       | 100       | 38.4102 | AK3010/2-7.5  | 38.4202 | AK3011/2KD-7.5  |
| 3         | 24.70       | 100       | 38.4103 | AK3010/3-7.5  | 38.4203 | AK3011/3KD-7.5  |
| 4         | 32.20       | 50        | 38.4104 | AK3010/4-7.5  | 38.4204 | AK3011/4KD-7.5  |
| 5         | 39.70       | 50        | 38.4105 | AK3010/5-7.5  | 38.4205 | AK3011/5KD-7.5  |
| 6         | 47.20       | 50        | 38.4106 | AK3010/6-7.5  | 38.4206 | AK3011/6KD-7.5  |
| 7         | 54.70       | 50        | 38.4107 | AK3010/7-7.5  | 38.4207 | AK3011/7KD-7.5  |
| 8         | 62.20       | 50        | 38.4108 | AK3010/8-7.5  | 38.4208 | AK3011/8KD-7.5  |
| 9         | 69.70       | 50        | 38.4109 | AK3010/9-7.5  | 38.4209 | AK3011/9KD-7.5  |
| 10        | 77.20       | 50        | 38.4110 | AK3010/10-7.5 | 38.4210 | AK3011/10KD-7.5 |
| 11        | 84.70       | 50        | 38.4111 | AK3010/11-7.5 | 38.4211 | AK3011/11KD-7.5 |
| 12        | 92.20       | 50        | 38.4112 | AK3010/12-7.5 | 38.4212 | AK3011/12KD-7.5 |
| 13        | 99.70       | 20        | 38.4113 | AK3010/13-7.5 | 38.4213 | AK3011/13KD-7.5 |
| 14        | 107.20      | 20        | 38.4114 | AK3010/14-7.5 | 38.4214 | AK3011/14KD-7.5 |
| 15        | 114.70      | 20        | 38.4115 | AK3010/15-7.5 | 38.4215 | AK3011/15KD-7.5 |
| 16        | 122.20      | 20        | 38.4116 | AK3010/16-7.5 | 38.4216 | AK3011/16KD-7.5 |
| 17        | 129.70      | 20        | 38.4117 | AK3010/18-7.5 | 38.4217 | AK3011/17KD-7.5 |
| 18        | 137.20      | 20        | 38.4118 | AK3010/18-7.5 | 38.4218 | AK3011/18KD-7.5 |
| 19        | 144.70      | 20        | 38.4119 | AK3010/19-7.5 | 38.4219 | AK3011/19KD-7.5 |
| 20        | 152.20      | 10        | 38.4120 | AK3010/20-7.5 | 38.4220 | AK3011/20KD-7.5 |
| 21        | 159.70      | 10        | 38.4121 | AK3010/21-7.5 | 38.4221 | AK3011/21KD-7.5 |
| 22        | 167.20      | 10        | 38.4122 | AK3010/22-7.5 | 38.4222 | AK3011/22KD-7.5 |
| 23        | 174.70      | 10        | 38.4123 | AK3010/23-7.5 | 38.4223 | AK3011/23KD-7.5 |
| 24        | 182.20      | 10        | 38.4124 | AK3010/24-7.5 | 38.4224 | AK3011/24KD-7.5 |

#### Material Specifications

|                       |                 |
|-----------------------|-----------------|
| Tension Spring        | Stainless Steel |
| Solder Tab            | Copper Alloy    |
| Insulating Material   | PA 6.6          |
| Flammability Class    | UL94V-0         |
| Operating Temperature | -30°C - +105°C  |

#### Wave Solder Process

|                       |       |
|-----------------------|-------|
| Soldering Temperature | 265°C |
| Peak Soldering Time   | 3-10s |

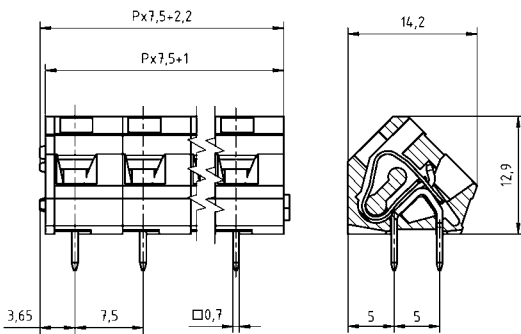
#### Installation Data

|                  |       |
|------------------|-------|
| Stripping Length | 6mm   |
| PCB Hole Size    | 1.1mm |

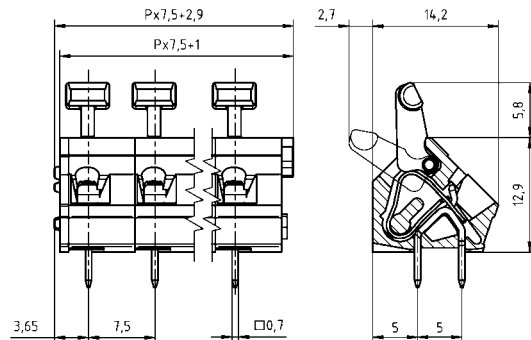
#### Other Colors Available

- GREEN, RAL 6018
- ORANGE, RAL 2011
- BLUE, RAL 5015

#### Dimensions (mm) - without lever



#### Dimensions (mm) - with grooved push-lever



PUSH-IN

PCB POWER TERMINALS  
PUSH-IN

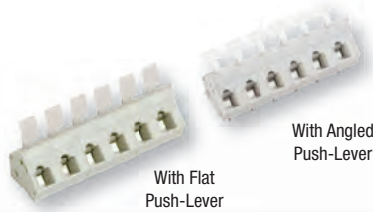
TENSION SPRING

PLUGGABLE  
PUSH-IN

# PCB Tension Spring Terminal

## 7.50 mm Pin Spacing

- 45° Wire Entry
- Tension Spring Technology
- Modular
- Various Colors
- Standard Color: Light Gray



**AK3011/xxFD-7.5**  
WITH FLAT PUSH-LEVER

**AK3011/xxWD-7.5**  
WITH ANGLED PUSH-LEVER

### Electrical Ratings

| Usergroup     | UL E178356               |   |          | IEC | VDE                                    |
|---------------|--------------------------|---|----------|-----|--|
|               | B                        | C | D        |     |  |
| Rated Voltage | 300V                     | - | 300V     | -   | 750V                                   |
| Rated Current | 16A                      | - | 10A      | -   | 24A                                    |
| Wire Size     | <i>solid</i> 28-14AWG    | - | 28-14AWG | -   | 0.5mm <sup>2</sup> -2.5mm <sup>2</sup> |
|               | <i>stranded</i> 28-14AWG | - | 28-14AWG | -   | 0.5mm <sup>2</sup> -2.5mm <sup>2</sup> |

### Ordering Information

#### With Flat Lever

#### With Angled Lever

| No. Poles | Length (mm) | Std. Pk. | Order # | Type #          | Order # | Type #          |
|-----------|-------------|----------|---------|-----------------|---------|-----------------|
| 1         | 9.70        | 100      | 38.4301 | AK3011/1FD-7.5  | 38.4401 | AK3011/1WD-7.5  |
| 2         | 17.20       | 100      | 38.4302 | AK3011/2FD-7.5  | 38.4402 | AK3011/2WD-7.5  |
| 3         | 24.70       | 100      | 38.4303 | AK3011/3FD-7.5  | 38.4403 | AK3011/3WD-7.5  |
| 4         | 32.20       | 50       | 38.4304 | AK3011/4FD-7.5  | 38.4404 | AK3011/4WD-7.5  |
| 5         | 39.70       | 50       | 38.4305 | AK3011/5FD-7.5  | 38.4405 | AK3011/5WD-7.5  |
| 6         | 47.20       | 50       | 38.4306 | AK3011/6FD-7.5  | 38.4406 | AK3011/6WD-7.5  |
| 7         | 54.70       | 50       | 38.4307 | AK3011/7FD-7.5  | 38.4407 | AK3011/7WD-7.5  |
| 8         | 62.20       | 50       | 38.4309 | AK3011/8FD-7.5  | 38.4408 | AK3011/8WD-7.5  |
| 9         | 69.70       | 50       | 38.4300 | AK3011/9FD-7.5  | 38.4409 | AK3011/9WD-7.5  |
| 10        | 77.20       | 50       | 38.4310 | AK3011/10FD-7.5 | 38.4410 | AK3011/10WD-7.5 |
| 11        | 84.70       | 50       | 38.4311 | AK3011/11FD-7.5 | 38.4411 | AK3011/11WD-7.5 |
| 12        | 92.20       | 50       | 38.4312 | AK3011/12FD-7.5 | 38.4412 | AK3011/12WD-7.5 |
| 13        | 99.70       | 20       | 38.4313 | AK3011/13FD-7.5 | 38.4413 | AK3011/13WD-7.5 |
| 14        | 107.20      | 20       | 38.4314 | AK3011/14FD-7.5 | 38.4414 | AK3011/14WD-7.5 |
| 15        | 114.70      | 20       | 38.4315 | AK3011/15FD-7.5 | 38.4415 | AK3011/15WD-7.5 |
| 16        | 122.20      | 20       | 38.4316 | AK3011/16FD-7.5 | 38.4416 | AK3011/16WD-7.5 |
| 17        | 129.70      | 20       | 38.4317 | AK3011/18FD-7.5 | 38.4417 | AK3011/17WD-7.5 |
| 18        | 137.20      | 20       | 38.4318 | AK3011/18FD-7.5 | 38.4418 | AK3011/18WD-7.5 |
| 19        | 144.70      | 20       | 38.4319 | AK3011/19FD-7.5 | 38.4419 | AK3011/19WD-7.5 |
| 20        | 152.20      | 10       | 38.4320 | AK3011/20FD-7.5 | 38.4420 | AK3011/20WD-7.5 |
| 21        | 159.70      | 10       | 38.4321 | AK3011/21FD-7.5 | 38.4421 | AK3011/21WD-7.5 |
| 22        | 167.20      | 10       | 38.4322 | AK3011/22FD-7.5 | 38.4422 | AK3011/22WD-7.5 |
| 23        | 174.70      | 10       | 38.4323 | AK3011/23FD-7.5 | 38.4423 | AK3011/23WD-7.5 |
| 24        | 182.20      | 10       | 38.4324 | AK3011/24FD-7.5 | 38.4424 | AK3011/24WD-7.5 |

### Material Specifications

|                       |                 |
|-----------------------|-----------------|
| Tension Spring        | Stainless Steel |
| Solder Tab            | Copper Alloy    |
| Insulating Material   | PA 6.6          |
| Flammability Class    | UL94V-0         |
| Operating Temperature | -30°C - +105°C  |

### Wave Solder Process

|                       |       |
|-----------------------|-------|
| Soldering Temperature | 265°C |
| Peak Soldering Time   | 3-10s |

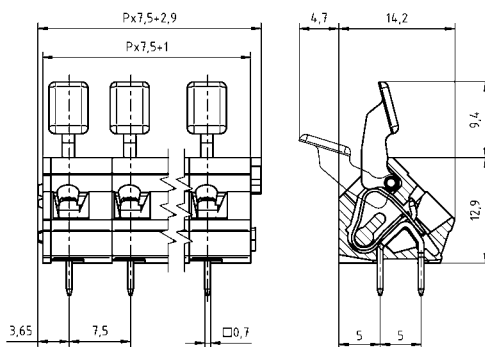
### Installation Data

|                  |       |
|------------------|-------|
| Stripping Length | 6mm   |
| PCB Hole Size    | 1.1mm |

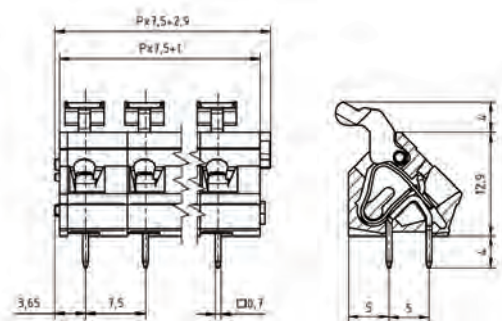
### Other Colors Available

- GREEN, RAL 6018
- ORANGE, RAL 2011
- BLUE, RAL 5015

### Dimensions (mm) - with flat push-lever



### Dimensions (mm) - with angled push-lever





# PCB Tension Spring Terminal

## 10.00 mm Pin Spacing

- 45° Wire Entry
- Tension Spring Technology
- Modular
- Various Colors
- Standard Color: Light Gray



## AK3000/xx-10.0

WITHOUT LEVER

## AK3001/xxKD-10.0

WITH GROOVED PUSH-LEVER

### Electrical Ratings

| Usergroup     | UL E178356      |          |          | IEC                                    | VDE |
|---------------|-----------------|----------|----------|--|-----|
|               | B               | C        | D        | -                                      |     |
| Rated Voltage | 300V            | 300V     | -        | 1000V                                  |     |
| Rated Current | 15A             | 15A      | -        | 24A                                    |     |
| Wire Size     | <i>solid</i>    | 28-14AWG | 28-14AWG | 0.5mm <sup>2</sup> -2.5mm <sup>2</sup> |     |
|               | <i>stranded</i> | 28-14AWG | 28-14AWG | 0.5mm <sup>2</sup> -2.5mm <sup>2</sup> |     |

### Ordering Information

### Without Lever

### With Grooved Lever

| No. Poles | Length (mm) | Std. Pack | Order # | Type #         | Order # | Type #           |
|-----------|-------------|-----------|---------|----------------|---------|------------------|
| 1         | 7.20        | 100       | 38.5101 | AK3000/1-10.0  | 38.5201 | AK3011/1KD-10.0  |
| 2         | 17.20       | 100       | 38.5102 | AK3000/2-10.0  | 38.5202 | AK3011/2KD-10.0  |
| 3         | 27.20       | 100       | 38.5103 | AK3000/3-10.0  | 38.5203 | AK3011/3KD-10.0  |
| 4         | 37.20       | 50        | 38.5104 | AK3000/4-10.0  | 38.5204 | AK3011/4KD-10.0  |
| 5         | 47.20       | 50        | 38.5105 | AK3000/5-10.0  | 38.5205 | AK3011/5KD-10.0  |
| 6         | 57.20       | 50        | 38.5106 | AK3000/6-10.0  | 38.5206 | AK3011/6KD-10.0  |
| 7         | 67.20       | 50        | 38.5107 | AK3000/7-10.0  | 38.5207 | AK3011/7KD-10.0  |
| 8         | 77.20       | 50        | 38.5108 | AK3000/8-10.0  | 38.5208 | AK3011/8KD-10.0  |
| 9         | 87.20       | 50        | 38.5109 | AK3000/9-10.0  | 38.5209 | AK3011/9KD-10.0  |
| 10        | 97.20       | 50        | 38.5110 | AK3000/10-10.0 | 38.5210 | AK3011/10KD-10.0 |
| 11        | 107.20      | 50        | 38.5111 | AK3000/11-10.0 | 38.5211 | AK3011/11KD-10.0 |
| 12        | 117.20      | 50        | 38.5112 | AK3000/12-10.0 | 38.5212 | AK3011/12KD-10.0 |
| 13        | 127.20      | 20        | 38.5113 | AK3000/13-10.0 | 38.5213 | AK3011/13KD-10.0 |
| 14        | 137.20      | 20        | 38.5114 | AK3000/14-10.0 | 38.5214 | AK3011/14KD-10.0 |
| 15        | 147.20      | 20        | 38.5115 | AK3000/15-10.0 | 38.5215 | AK3011/15KD-10.0 |
| 16        | 157.20      | 20        | 38.5116 | AK3000/16-10.0 | 38.5216 | AK3011/16KD-10.0 |
| 17        | 167.20      | 20        | 38.5117 | AK3000/18-10.0 | 38.5217 | AK3011/17KD-10.0 |
| 18        | 177.20      | 20        | 38.5118 | AK3000/18-10.0 | 38.5218 | AK3011/18KD-10.0 |
| 19        | 187.20      | 20        | 38.5119 | AK3000/19-10.0 | 38.5219 | AK3011/19KD-10.0 |
| 20        | 197.20      | 10        | 38.5120 | AK3000/20-10.0 | 38.5220 | AK3011/20KD-10.0 |
| 21        | 207.20      | 10        | 38.5121 | AK3000/21-10.0 | 38.5221 | AK3011/21KD-10.0 |
| 22        | 217.20      | 10        | 38.5122 | AK3000/22-10.0 | 38.5222 | AK3011/22KD-10.0 |
| 23        | 227.20      | 10        | 38.5123 | AK3000/23-10.0 | 38.5223 | AK3011/23KD-10.0 |
| 24        | 237.20      | 10        | 38.5124 | AK3000/24-10.0 | 38.5224 | AK3011/24KD-10.0 |

### Material Specifications

|                       |                 |
|-----------------------|-----------------|
| Tension Spring        | Stainless Steel |
| Solder Tab            | Copper Alloy    |
| Insulating Material   | PA 6.6          |
| Flammability Class    | UL94V-0         |
| Operating Temperature | -30°C - +105°C  |

### Wave Solder Process

|                       |       |
|-----------------------|-------|
| Soldering Temperature | 265°C |
| Peak Soldering Time   | 3-10s |

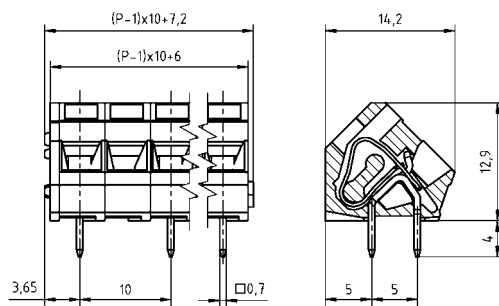
### Installation Data

|                  |       |
|------------------|-------|
| Stripping Length | 6mm   |
| PCB Hole Size    | 1.1mm |

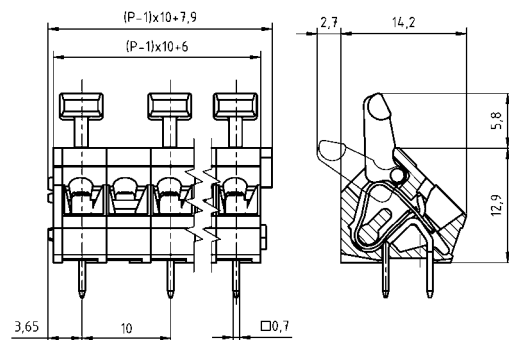
### Other Colors Available

- GREEN, RAL 6018
- ORANGE, RAL 2011
- BLUE, RAL 5015

### Dimensions (mm) - without lever



### Dimensions (mm) - with grooved push-lever



PUSH-IN

PCB POWER TERMINALS  
PUSH-IN

TENSION SPRING

PLUGGABLE  
PUSH-IN

# PCB Tension Spring Terminal

## 10.00 mm Pin Spacing

- 45° Wire Entry
- Tension Spring Technology
- Modular
- Various Colors
- Standard Color: Light Gray



With Flat Push-Lever

With Angled Push-Lever

**AK3001/xxFD-10.0**  
WITH FLAT PUSH-LEVER

**AK3001/xxWD-10.0**  
WITH ANGLED PUSH-LEVER

### Electrical Ratings

| Usergroup     | cULus<br>E178356         |          | D | IEC                                    | VDE |
|---------------|--------------------------|----------|---|--|-----|
|               | B                        | C        |   |  |     |
|               | 300V                     | 300V     | - | 750V                                   | -   |
| Rated Current | 15A                      | 15A      | - | 24A                                    | -   |
| Wire Size     | <i>solid</i> 28-14AWG    | 28-14AWG | - | 0.5mm <sup>2</sup> -2.5mm <sup>2</sup> | -   |
|               | <i>stranded</i> 28-14AWG | 28-14AWG | - | 0.5mm <sup>2</sup> -2.5mm <sup>2</sup> | -   |

### Ordering Information

#### With Flat Lever

#### With Angled Lever

| No. Poles | Length (mm) | Std. Pk. | Order #        | Type #           | Order #        | Type #           |
|-----------|-------------|----------|----------------|------------------|----------------|------------------|
| 1         | 7.20        | 100      | <b>38.5301</b> | AK3001/1FD-10.0  | <b>38.5401</b> | AK3001/1WD-10.0  |
| 2         | 17.20       | 100      | <b>38.5302</b> | AK3001/2FD-10.0  | <b>38.5402</b> | AK3001/2WD-10.0  |
| 3         | 27.20       | 100      | <b>38.5303</b> | AK3001/3FD-10.0  | <b>38.5403</b> | AK3001/3WD-10.0  |
| 4         | 37.20       | 50       | <b>38.5304</b> | AK3001/4FD-10.0  | <b>38.5404</b> | AK3001/4WD-10.0  |
| 5         | 47.20       | 50       | <b>38.5305</b> | AK3001/5FD-10.0  | <b>38.5405</b> | AK3001/5WD-10.0  |
| 6         | 57.20       | 50       | <b>38.5306</b> | AK3001/6FD-10.0  | <b>38.5406</b> | AK3001/6WD-10.0  |
| 7         | 67.20       | 50       | <b>38.5307</b> | AK3001/7FD-10.0  | <b>38.5407</b> | AK3001/7WD-10.0  |
| 8         | 77.20       | 50       | <b>38.5308</b> | AK3001/8FD-10.0  | <b>38.5408</b> | AK3001/8WD-10.0  |
| 9         | 87.20       | 50       | <b>38.5309</b> | AK3001/9FD-10.0  | <b>38.5409</b> | AK3001/9WD-10.0  |
| 10        | 97.20       | 50       | <b>38.5310</b> | AK3001/10FD-10.0 | <b>38.5410</b> | AK3001/10WD-10.0 |
| 11        | 107.20      | 50       | <b>38.5311</b> | AK3001/11FD-10.0 | <b>38.5401</b> | AK3001/11WD-10.0 |
| 12        | 117.20      | 50       | <b>38.5312</b> | AK3001/12FD-10.0 | <b>38.5412</b> | AK3001/12WD-10.0 |
| 13        | 127.20      | 20       | <b>38.5313</b> | AK3001/13FD-10.0 | <b>38.5413</b> | AK3001/13WD-10.0 |
| 14        | 137.20      | 20       | <b>38.5314</b> | AK3001/14FD-10.0 | <b>38.5414</b> | AK3001/14WD-10.0 |
| 15        | 147.20      | 20       | <b>38.5315</b> | AK3001/15FD-10.0 | <b>38.5415</b> | AK3001/15WD-10.0 |
| 16        | 167.20      | 20       | <b>38.5316</b> | AK3001/16FD-10.0 | <b>38.5416</b> | AK3001/16WD-10.0 |
| 17        | 177.20      | 20       | <b>38.5316</b> | AK3001/18FD-10.0 | <b>38.5417</b> | AK3001/17WD-10.0 |
| 18        | 187.20      | 20       | <b>38.5318</b> | AK3001/18FD-10.0 | <b>38.5418</b> | AK3001/18WD-10.0 |
| 19        | 197.20      | 20       | <b>38.5319</b> | AK3001/19FD-10.0 | <b>38.5419</b> | AK3001/19WD-10.0 |
| 20        | 107.20      | 10       | <b>38.5320</b> | AK3001/20FD-10.0 | <b>38.5420</b> | AK3001/20WD-10.0 |
| 21        | 207.20      | 10       | <b>38.5321</b> | AK3001/21FD-10.0 | <b>38.5421</b> | AK3001/21WD-10.0 |
| 22        | 217.20      | 10       | <b>38.5322</b> | AK3001/22FD-10.0 | <b>38.5422</b> | AK3001/22WD-10.0 |
| 23        | 227.20      | 10       | <b>38.5323</b> | AK3001/23FD-10.0 | <b>38.5423</b> | AK3001/23WD-10.0 |
| 24        | 237.20      | 10       | <b>38.5324</b> | AK3001/24FD-10.0 | <b>38.5424</b> | AK3001/24WD-10.0 |

### Material Specifications

|                       |                 |
|-----------------------|-----------------|
| Tension Spring        | Stainless Steel |
| Solder Tab            | Copper Alloy    |
| Insulating Material   | PA 6.6          |
| Flammability Class    | UL94V-0         |
| Operating Temperature | -30°C - +105°C  |

### Wave Solder Process

|                       |       |
|-----------------------|-------|
| Soldering Temperature | 265°C |
| Peak Soldering Time   | 3-10s |

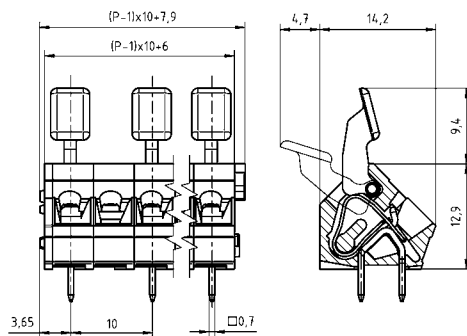
### Installation Data

|                  |       |
|------------------|-------|
| Stripping Length | 6mm   |
| PCB Hole Size    | 1.1mm |

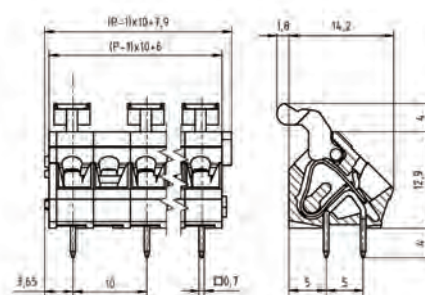
### Other Colors Available

- GREEN, RAL 6018
- ORANGE, RAL 2011
- BLUE, RAL 5015

### Dimensions (mm) - with flat push-lever



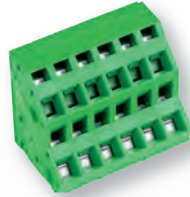
### Dimensions (mm) - with angled push-lever



# PCB Tension Spring Terminal

## 5.00 / 5.08 mm Pin Spacing

- Double Level
- 45° Wire Entry
- Tension Spring Technology
- Standard Color: Green



**AK3750/xx-5.0**  
**AKZ3750/xx-5.08**

### Electrical Ratings

|               |                 | UL US<br>E178356 |   | IEC      | VDE                                    |
|---------------|-----------------|------------------|---|----------|--|
| Usergroup     |                 | B                | C | D        | —                                      |
|               |                 | 300V             | — | 300V     | 250V                                   |
| Rated Current |                 | 16A              | — | 10A      | 12A                                    |
| Wire Size     | <i>solid</i>    | 28-14AWG         | — | 28-14AWG | 0.5mm <sup>2</sup> -2.5mm <sup>2</sup> |
|               | <i>stranded</i> | 28-14AWG         | — | 28-14AWG | 0.5mm <sup>2</sup> -2.5mm <sup>2</sup> |

### Ordering Information (5.00 mm Spacing)

| Poles | Length | Std. Pack | Order #        | Type #         |
|-------|--------|-----------|----------------|----------------|
| 1     | 6.70   | 100       | <b>38.3101</b> | AK3750/1-5.00  |
| 2     | 11.70  | 100       | <b>38.3102</b> | AK3750/2-5.00  |
| 3     | 16.70  | 100       | <b>38.3103</b> | AK3750/3-5.00  |
| 4     | 21.70  | 50        | <b>38.3104</b> | AK3750/4-5.00  |
| 5     | 26.70  | 50        | <b>38.3105</b> | AK3750/5-5.00  |
| 6     | 31.70  | 50        | <b>38.3106</b> | AK3750/6-5.00  |
| 7     | 36.70  | 50        | <b>38.3107</b> | AK3750/7-5.00  |
| 8     | 41.70  | 50        | <b>38.3108</b> | AK3750/8-5.00  |
| 9     | 46.70  | 50        | <b>38.3109</b> | AK3750/9-5.00  |
| 10    | 51.70  | 50        | <b>38.3110</b> | AK3750/10-5.00 |
| 11    | 56.70  | 50        | <b>38.3111</b> | AK3750/11-5.00 |
| 12    | 61.70  | 50        | <b>38.3112</b> | AK3750/12-5.00 |

### Ordering Information (5.08 mm Spacing)

| Poles | Length | Std. Pack | Order #        | Type #          |
|-------|--------|-----------|----------------|-----------------|
| 1     | 6.70   | 100       | <b>38.3501</b> | AKZ3750/1-5.08  |
| 2     | 11.70  | 100       | <b>38.3502</b> | AKZ3750/2-5.08  |
| 3     | 16.70  | 100       | <b>38.3503</b> | AKZ3750/3-5.08  |
| 4     | 21.70  | 50        | <b>38.3504</b> | AKZ3750/4-5.08  |
| 5     | 26.70  | 50        | <b>38.3505</b> | AKZ3750/5-5.08  |
| 6     | 31.70  | 50        | <b>38.3506</b> | AKZ3750/6-5.08  |
| 7     | 36.70  | 50        | <b>38.3507</b> | AKZ3750/7-5.08  |
| 8     | 41.70  | 50        | <b>38.3508</b> | AKZ3750/8-5.08  |
| 9     | 46.70  | 50        | <b>38.3509</b> | AKZ3750/9-5.08  |
| 10    | 51.70  | 50        | <b>38.3510</b> | AKZ3750/10-5.08 |
| 11    | 56.70  | 50        | <b>38.3511</b> | AKZ3750/11-5.08 |
| 12    | 61.70  | 50        | <b>38.3512</b> | AKZ3750/12-5.08 |

### Material Specifications

|                       |                 |
|-----------------------|-----------------|
| Tension Spring        | Stainless Steel |
| Solder Tab            | Copper Alloy    |
| Insulating Material   | PA 6.6          |
| Flammability Class    | UL94V-0         |
| Operating Temperature | -30°C - +105°C  |

### Wave Solder Process

|                       |       |
|-----------------------|-------|
| Soldering Temperature | 265°C |
| Peak Soldering Time   | 3-4s  |

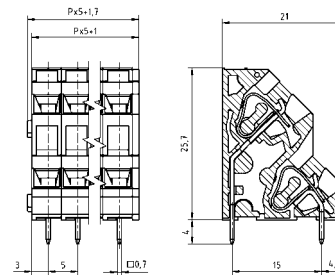
### Installation Data

|                  |       |
|------------------|-------|
| Stripping Length | 6mm   |
| PCB Hole Size    | 1.3mm |

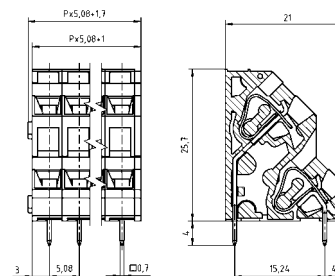
### Other Colors Available

Light GRAY, RAL 7042

### Dimensions 5.00 (mm)



### Dimensions 5.08 (mm)



PUSH-IN

PCB POWER TERMINALS  
PUSH-IN

TENSION SPRING

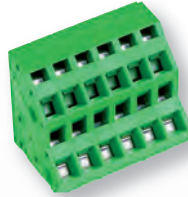
PLUGGABLE  
PUSH-IN



# PCB Tension Spring Terminal

## 5.00 / 5.08 mm Pin Spacing

- Double Level
- 45° Wire Entry
- Tension Spring Technology
- Standard Color: Green



**AK3750/xxVP-5.0**  
**AKZ3750/xxVP-5.08**

### Electrical Ratings

| Usergroup     | UL E178356      |          |      | IEC VDE                                |  |
|---------------|-----------------|----------|------|--|--|
|               | B               | C        | D    | -                                      |  |
| Rated Voltage | 300V            | -        | 300V | 250V                                   |  |
| Rated Current | 16A             | -        | 10A  | 12A                                    |  |
| Wire Size     | <i>solid</i>    | 28-14AWG | -    | 0.5mm <sup>2</sup> -2.5mm <sup>2</sup> |  |
|               | <i>stranded</i> | 28-14AWG | -    | 0.5mm <sup>2</sup> -2.5mm <sup>2</sup> |  |

### Ordering Information (5.00 mm Spacing)

| Poles | Length | Std. Pack | Order #        | Type #           |
|-------|--------|-----------|----------------|------------------|
| 1     | 6.70   | 100       | <b>38.3201</b> | AK3750/1VP-5.00  |
| 2     | 11.70  | 100       | <b>38.3202</b> | AK3750/2VP-5.00  |
| 3     | 16.70  | 100       | <b>38.3203</b> | AK3750/3VP-5.00  |
| 4     | 21.70  | 50        | <b>38.3204</b> | AK3750/4VP-5.00  |
| 5     | 26.70  | 50        | <b>38.3205</b> | AK3750/5VP-5.00  |
| 6     | 31.70  | 50        | <b>38.3206</b> | AK3750/6VP-5.00  |
| 7     | 36.70  | 50        | <b>38.3207</b> | AK3750/7VP-5.00  |
| 8     | 41.70  | 50        | <b>38.3208</b> | AK3750/8VP-5.00  |
| 9     | 46.70  | 50        | <b>38.3209</b> | AK3750/9VP-5.00  |
| 10    | 51.70  | 50        | <b>38.3210</b> | AK3750/10VP-5.00 |
| 11    | 56.70  | 50        | <b>38.3211</b> | AK3750/11VP-5.00 |
| 12    | 61.70  | 50        | <b>38.3212</b> | AK3750/12VP-5.00 |

### Ordering Information (5.08 mm Spacing)

| Poles | Length | Std. Pack | Order #        | Type #            |
|-------|--------|-----------|----------------|-------------------|
| 1     | 6.70   | 100       | <b>38.3601</b> | AKZ3750/1VP-5.08  |
| 2     | 11.70  | 100       | <b>38.3602</b> | AKZ3750/2VP-5.08  |
| 3     | 16.70  | 100       | <b>38.3603</b> | AKZ3750/3VP-5.08  |
| 4     | 21.70  | 50        | <b>38.3604</b> | AKZ3750/4VP-5.08  |
| 5     | 26.70  | 50        | <b>38.3605</b> | AKZ3750/5VP-5.08  |
| 6     | 31.70  | 50        | <b>38.3606</b> | AKZ3750/6VP-5.08  |
| 7     | 36.70  | 50        | <b>38.3607</b> | AKZ3750/7VP-5.08  |
| 8     | 41.70  | 50        | <b>38.3608</b> | AKZ3750/8VP-5.08  |
| 9     | 46.70  | 50        | <b>38.3609</b> | AKZ3750/9VP-5.08  |
| 10    | 51.70  | 50        | <b>38.3610</b> | AKZ3750/10VP-5.08 |
| 11    | 56.70  | 50        | <b>38.3611</b> | AKZ3750/11VP-5.08 |
| 12    | 61.70  | 50        | <b>38.3612</b> | AKZ3750/12VP-5.08 |

### Material Specifications

|                       |                 |
|-----------------------|-----------------|
| Tension Spring        | Stainless Steel |
| Solder Tab            | Copper Alloy    |
| Insulating Material   | PA 6.6          |
| Flammability Class    | UL94V-0         |
| Operating Temperature | -30°C - +105°C  |

### Wave Solder Process

|                       |       |
|-----------------------|-------|
| Soldering Temperature | 265°C |
| Peak Soldering Time   | 3-4s  |

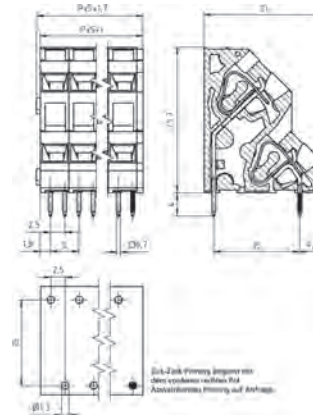
### Installation Data

|                  |       |
|------------------|-------|
| Stripping Length | 6mm   |
| PCB Hole Size    | 1.3mm |

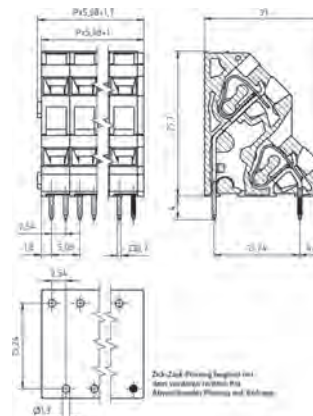
### Other Colors Available

Light GRAY, RAL 7042

### Dimensions 5.00 (mm)



### Dimensions 5.08 (mm)



PUSH-IN

PCB POWER TERMINALS  
PUSH-IN

TENSION SPRING

PLUGGABLE  
PUSH-IN

# Pluggable Push-In

3.50 / 3.81 mm Pin Spacing

- Pluggable Push-in Technology
- Standard Color: Dark Gray



AK4551/xxKD-3.5  
AKZ4551/xxKD-3.81

| Electrical Ratings |                 | UL US<br>E178356 |      | IEC   | VDE |
|--------------------|-----------------|------------------|------|---|-----|
| Usergroup          | B               | C                | D    | -   |     |
|                    | 300V            | -                | 300V | 160V  |     |
| Rated Current      | 10A             | -                | 10A  | 10A   |     |
| Wire Size          | <i>solid</i>    | 26-16AWG         | -    | 0.14mm <sup>2</sup> (3A) - 2.5mm <sup>2</sup> (10A) |     |
|                    | <i>stranded</i> | 26-16AWG         | -    | 0.14mm <sup>2</sup> (3A) - 1.5mm <sup>2</sup> (10A) |     |

## Ordering Information (3.50 mm Spacing)

| Poles | Length | Std. Pack | Order # | Type #           |
|-------|--------|-----------|---------|------------------|
| 2     | 7.00   | 100       | 39.1102 | AK4551/2KD-3.50  |
| 3     | 10.50  | 100       | 39.1103 | AK4551/3KD-3.50  |
| 4     | 14.00  | 50        | 39.1104 | AK4551/4KD-3.50  |
| 5     | 17.50  | 50        | 39.1105 | AK4551/5KD-3.50  |
| 6     | 21.00  | 50        | 39.1106 | AK4551/6KD-3.50  |
| 7     | 24.50  | 50        | 39.1107 | AK4551/7KD-3.50  |
| 8     | 28.00  | 50        | 39.1108 | AK4551/8KD-3.50  |
| 9     | 31.50  | 50        | 39.1109 | AK4551/9KD-3.50  |
| 10    | 35.00  | 50        | 39.1110 | AK4551/10KD-3.50 |
| 11    | 38.50  | 50        | 39.1111 | AK4551/11KD-3.50 |
| 12    | 42.00  | 50        | 39.1112 | AK4551/12KD-3.50 |
| 13    | 45.50  | 20        | 39.1113 | AK4551/13KD-3.50 |
| 14    | 49.00  | 20        | 39.1114 | AK4551/14KD-3.50 |
| 15    | 52.50  | 20        | 39.1115 | AK4551/15KD-3.50 |
| 16    | 56.00  | 20        | 39.1116 | AK4551/16KD-3.50 |
| 17    | 59.50  | 20        | 39.1117 | AK4551/17KD-3.50 |
| 18    | 63.00  | 20        | 39.1118 | AK4551/18KD-3.50 |
| 19    | 66.50  | 20        | 39.1119 | AK4551/19KD-3.50 |
| 20    | 70.00  | 20        | 39.1120 | AK4551/20KD-3.50 |

## Ordering Information (3.81 mm Spacing)

| Poles | Length | Std. Pack | Order # | Type #            |
|-------|--------|-----------|---------|-------------------|
| 2     | 7.62   | 100       | 39.2102 | AKZ4551/2KD-3.81  |
| 3     | 11.43  | 100       | 39.2103 | AKZ4551/3KD-3.81  |
| 4     | 15.24  | 50        | 39.2104 | AKZ4551/4KD-3.81  |
| 5     | 19.05  | 50        | 39.2105 | AKZ4551/5KD-3.81  |
| 6     | 22.86  | 50        | 39.2106 | AKZ4551/6KD-3.81  |
| 7     | 26.67  | 50        | 39.2107 | AKZ4551/7KD-3.81  |
| 8     | 30.48  | 50        | 39.2108 | AKZ4551/8KD-3.81  |
| 9     | 34.29  | 50        | 39.2109 | AKZ4551/9KD-3.81  |
| 10    | 38.10  | 50        | 39.2110 | AKZ4551/10KD-3.81 |
| 11    | 41.91  | 50        | 39.2111 | AKZ4551/11KD-3.81 |
| 12    | 45.72  | 50        | 39.2112 | AKZ4551/12KD-3.81 |
| 13    | 49.53  | 20        | 39.2113 | AKZ4551/13KD-3.81 |
| 14    | 53.34  | 20        | 39.2114 | AKZ4551/14KD-3.81 |
| 15    | 57.15  | 20        | 39.2115 | AKZ4551/15KD-3.81 |
| 16    | 60.96  | 20        | 39.2116 | AKZ4551/16KD-3.81 |
| 17    | 64.77  | 20        | 39.2117 | AKZ4551/17KD-3.81 |
| 18    | 68.58  | 20        | 39.2118 | AKZ4551/18KD-3.81 |
| 19    | 72.39  | 20        | 39.2119 | AKZ4551/19KD-3.81 |
| 20    | 76.20  | 20        | 39.2120 | AKZ4551/20KD-3.81 |

## Material Specifications

|                       |                 |
|-----------------------|-----------------|
| Spring Clamp          | Stainless Steel |
| Contact Spring        | Copper Alloy    |
| Insulating Material   | PA 6.6          |
| Flammability Class    | UL94V-0         |
| Operating Temperature | -30°C - +105°C  |

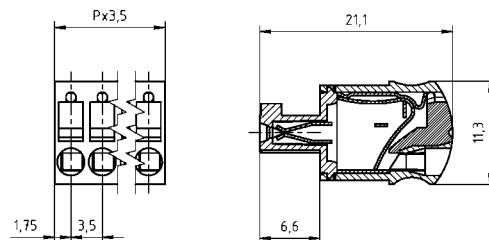
## Installation Data

|                  |      |
|------------------|------|
| Stripping Length | 11mm |
| PCB Hole Size    | -    |

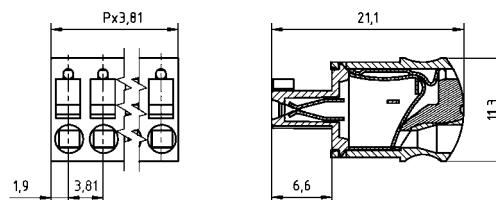
## Other Colors Available

 GREEN, RAL 6018

## Dimensions 3.50 (mm)



## Dimensions 3.81 (mm)



# Pluggable Push-In

3.50 / 3.81 mm Pin Spacing

- Pluggable Push-in Technology
- Screw Flange
- Standard Color: Dark Gray



AK4551/xxFKD-3.5  
AKZ4551/xxFKD-3.81

| Electrical Ratings |                          | UL US<br>E178356 |          | IEC   | VDE |
|--------------------|--------------------------|------------------|----------|---|-----|
| Usergroup          | B                        | C                | D        | -   |     |
|                    | 300V                     | -                | 300V     | 160V  |     |
| Rated Current      | 10A                      | -                | 10A      | 10A   |     |
| Wire Size          | <i>solid</i> 26-16AWG    | -                | 26-16AWG | 0.14mm <sup>2</sup> (3A) - 2.5mm <sup>2</sup> (10A) |     |
|                    | <i>stranded</i> 26-16AWG | -                | 26-16AWG | 0.14mm <sup>2</sup> (3A) - 1.5mm <sup>2</sup> (10A) |     |

## Ordering Information (3.50 mm Spacing)

| Poles | Length | Std. Pack | Order # | Type #            |
|-------|--------|-----------|---------|-------------------|
| 2     | 17.00  | 100       | 39.1202 | AK4551/2FKD-3.50  |
| 3     | 20.50  | 100       | 39.1203 | AK4551/3FKD-3.50  |
| 4     | 24.00  | 50        | 39.1204 | AK4551/4FKD-3.50  |
| 5     | 27.50  | 50        | 39.1205 | AK4551/5FKD-3.50  |
| 6     | 31.00  | 50        | 39.1206 | AK4551/6FKD-3.50  |
| 7     | 34.50  | 50        | 39.1207 | AK4551/7FKD-3.50  |
| 8     | 38.00  | 50        | 39.1208 | AK4551/8FKD-3.50  |
| 9     | 41.50  | 50        | 39.1209 | AK4551/9FKD-3.50  |
| 10    | 45.00  | 50        | 39.1210 | AK4551/10FKD-3.50 |
| 11    | 48.50  | 50        | 39.1211 | AK4551/11FKD-3.50 |
| 12    | 52.00  | 50        | 39.1212 | AK4551/12FKD-3.50 |
| 13    | 55.50  | 20        | 39.1213 | AK4551/13FKD-3.50 |
| 14    | 59.00  | 20        | 39.1214 | AK4551/14FKD-3.50 |
| 15    | 62.50  | 20        | 39.1215 | AK4551/15FKD-3.50 |
| 16    | 66.00  | 20        | 39.1216 | AK4551/16FKD-3.50 |
| 17    | 69.50  | 20        | 39.1217 | AK4551/17FKD-3.50 |
| 18    | 73.00  | 20        | 39.1218 | AK4551/18FKD-3.50 |
| 19    | 76.50  | 20        | 39.1219 | AK4551/19FKD-3.50 |
| 20    | 80.00  | 20        | 39.1220 | AK4551/20FKD-3.50 |

## Ordering Information (3.81 mm Spacing)

| Poles | Length | Std. Pack | Order # | Type #             |
|-------|--------|-----------|---------|--------------------|
| 2     | 17.62  | 100       | 39.2202 | AKZ4551/2FKD-3.81  |
| 3     | 21.43  | 100       | 39.2203 | AKZ4551/3FKD-3.81  |
| 4     | 25.24  | 50        | 39.2204 | AKZ4551/4FKD-3.81  |
| 5     | 29.05  | 50        | 39.2205 | AKZ4551/5FKD-3.81  |
| 6     | 32.86  | 50        | 39.2206 | AKZ4551/6FKD-3.81  |
| 7     | 36.67  | 50        | 39.2207 | AKZ4551/7FKD-3.81  |
| 8     | 40.48  | 50        | 39.2208 | AKZ4551/8FKD-3.81  |
| 9     | 44.29  | 50        | 39.2209 | AKZ4551/9FKD-3.81  |
| 10    | 48.10  | 50        | 39.2210 | AKZ4551/10FKD-3.81 |
| 11    | 51.91  | 50        | 39.2211 | AKZ4551/11FKD-3.81 |
| 12    | 55.72  | 50        | 39.2212 | AKZ4551/12FKD-3.81 |
| 13    | 59.53  | 20        | 39.2213 | AKZ4551/13FKD-3.81 |
| 14    | 63.34  | 20        | 39.2214 | AKZ4551/14FKD-3.81 |
| 15    | 67.15  | 20        | 39.2215 | AKZ4551/15FKD-3.81 |
| 16    | 70.96  | 20        | 39.2216 | AKZ4551/16FKD-3.81 |
| 17    | 74.77  | 20        | 39.2217 | AKZ4551/17FKD-3.81 |
| 18    | 78.58  | 20        | 39.2218 | AKZ4551/18FKD-3.81 |
| 19    | 82.39  | 20        | 39.2219 | AKZ4551/19FKD-3.81 |
| 20    | 86.20  | 20        | 39.2220 | AKZ4551/20FKD-3.81 |

## Material Specifications

|                       |                 |
|-----------------------|-----------------|
| Spring Clamp          | Stainless Steel |
| Contact Spring        | Copper Alloy    |
| Insulating Material   | PA 6.6          |
| Flammability Class    | UL94V-0         |
| Operating Temperature | -30°C - +105°C  |

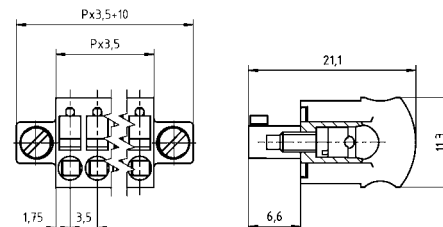
## Installation Data

|                  |      |
|------------------|------|
| Stripping Length | 11mm |
| PCB Hole Size    | -    |

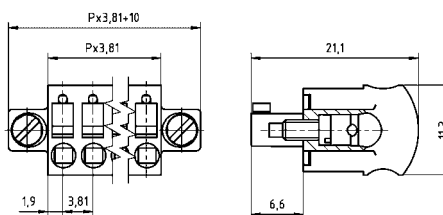
## Other Colors Available

GREEN, RAL 6018

## Dimensions 3.50 (mm)



## Dimensions 3.81 (mm)



PUSH-IN

PCB POWER TERMINALS  
PUSH-IN

TENSION SPRING

PLUGGABLE  
PUSH-IN

AK4561/xxKD-3.5

AKZ4561/xxKD-3.81

**Pluggable Push-In**

3.50 / 3.81 mm Pin Spacing

- Pluggable Push-in Technology
- Standard Color: Dark Gray



| Electrical Ratings |                 | UL E178356 |   |          | IEC VDE   |  |
|--------------------|-----------------|------------|---|----------|---|--|
| Usergroup          |                 | B          | C | D        | -   |  |
|                    |                 | 300V       | - | 300V     | 160V  |  |
| Rated Current      |                 | 10A        | - | 10A      | 10A   |  |
| Wire Size          | <i>solid</i>    | 26-16AWG   | - | 26-16AWG | 0.14mm <sup>2</sup> (3A) - 2.5mm <sup>2</sup> (10A) |  |
|                    | <i>stranded</i> | 26-16AWG   | - | 26-16AWG | 0.14mm <sup>2</sup> (3A) - 1.5mm <sup>2</sup> (10A) |  |

**Ordering Information (3.50 mm Spacing)**

| Poles | Length | Std. Pack | Order # | Type #           |
|-------|--------|-----------|---------|------------------|
| 2     | 7.00   | 100       | 39.1302 | AK4561/2KD-3.50  |
| 3     | 10.50  | 100       | 39.1303 | AK4561/3KD-3.50  |
| 4     | 14.00  | 50        | 39.1304 | AK4561/4KD-3.50  |
| 5     | 17.50  | 50        | 39.1305 | AK4561/5KD-3.50  |
| 6     | 21.00  | 50        | 39.1306 | AK4561/6KD-3.50  |
| 7     | 24.50  | 50        | 39.1307 | AK4561/7KD-3.50  |
| 8     | 28.00  | 50        | 39.1308 | AK4561/8KD-3.50  |
| 9     | 31.50  | 50        | 39.1309 | AK4561/9KD-3.50  |
| 10    | 35.00  | 50        | 39.1310 | AK4561/10KD-3.50 |
| 11    | 38.50  | 50        | 39.1311 | AK4561/11KD-3.50 |
| 12    | 42.00  | 50        | 39.1312 | AK4561/12KD-3.50 |
| 13    | 45.50  | 20        | 39.1313 | AK4561/13KD-3.50 |
| 14    | 49.00  | 20        | 39.1314 | AK4561/14KD-3.50 |
| 15    | 52.50  | 20        | 39.1315 | AK4561/15KD-3.50 |
| 16    | 56.00  | 20        | 39.1316 | AK4561/16KD-3.50 |
| 17    | 59.50  | 20        | 39.1317 | AK4561/17KD-3.50 |
| 18    | 63.00  | 20        | 39.1318 | AK4561/18KD-3.50 |
| 19    | 66.50  | 20        | 39.1319 | AK4561/19KD-3.50 |
| 20    | 70.00  | 20        | 39.1320 | AK4561/20KD-3.50 |

**Ordering Information (3.81 mm Spacing)**

| Poles | Length | Std. Pack | Order # | Type #            |
|-------|--------|-----------|---------|-------------------|
| 2     | 7.62   | 100       | 39.2302 | AKZ4561/2KD-3.81  |
| 3     | 11.43  | 100       | 39.2303 | AKZ4561/3KD-3.81  |
| 4     | 15.24  | 50        | 39.2304 | AKZ4561/4KD-3.81  |
| 5     | 19.05  | 50        | 39.2305 | AKZ4561/5KD-3.81  |
| 6     | 22.86  | 50        | 39.2306 | AKZ4561/6KD-3.81  |
| 7     | 26.67  | 50        | 39.2307 | AKZ4561/7KD-3.81  |
| 8     | 30.48  | 50        | 39.2308 | AKZ4561/8KD-3.81  |
| 9     | 34.29  | 50        | 39.2309 | AKZ4561/9KD-3.81  |
| 10    | 38.10  | 50        | 39.2310 | AKZ4561/10KD-3.81 |
| 11    | 41.91  | 50        | 39.2311 | AKZ4561/11KD-3.81 |
| 12    | 45.72  | 50        | 39.2312 | AKZ4561/12KD-3.81 |
| 13    | 49.53  | 20        | 39.2313 | AKZ4561/13KD-3.81 |
| 14    | 53.34  | 20        | 39.2314 | AKZ4561/14KD-3.81 |
| 15    | 57.15  | 20        | 39.2315 | AKZ4561/15KD-3.81 |
| 16    | 60.96  | 20        | 39.2316 | AKZ4561/16KD-3.81 |
| 17    | 64.77  | 20        | 39.2317 | AKZ4561/17KD-3.81 |
| 18    | 68.58  | 20        | 39.2318 | AKZ4561/18KD-3.81 |
| 19    | 72.39  | 20        | 39.2319 | AKZ4561/19KD-3.81 |
| 20    | 76.20  | 20        | 39.2320 | AKZ4561/20KD-3.81 |

**Material Specifications**

|                       |                 |
|-----------------------|-----------------|
| Spring Clamp          | Stainless Steel |
| Contact Spring        | Copper Alloy    |
| Insulating Material   | PA 6.6          |
| Flammability Class    | UL94V-0         |
| Operating Temperature | -30°C - +105°C  |

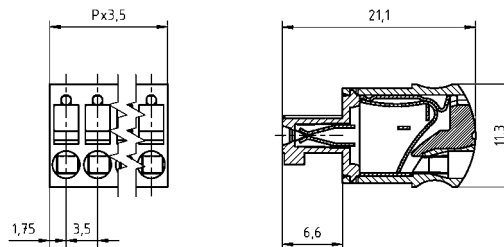
**Installation Data**

|                  |      |
|------------------|------|
| Stripping Length | 11mm |
| PCB Hole Size    | -    |

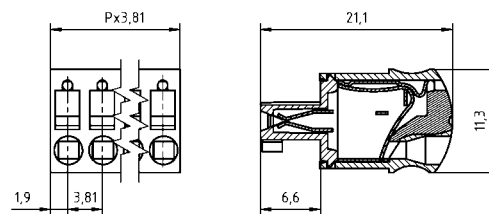
**Other Colors Available**

**GREEN, RAL 6018**

**Dimensions 3.50 (mm)**



**Dimensions 3.81 (mm)**



PUSH-IN

PCB POWER TERMINALS  
PUSH-IN

TENSION SPRING

PLUGGABLE  
PUSH-IN



# Pluggable Push-In

3.50 / 3.81 mm Pin Spacing

- Pluggable Push-in Technology
- Screw Flange
- Standard Color: Dark Gray



AK4561/xxFKD-3.5

AKZ4561/xxFKD-3.81

PUSH-IN

PCB POWER TERMINALS  
PUSH-IN

TENSION SPRING

PLUGGABLE  
PUSH-IN

## Electrical Ratings

| Usergroup     | UL US<br>E178356                                  |   | IEC VDE              |  |
|---------------|---|---|----------------------|--|
|               | B   | C | D                    | -  |
|               | 300V  | - | 300V                 | 160V   |
| Rated Current | 10A   | - | 10A                  | 10A  |
| Wire Size     | <i>solid</i> 26-16AWG<br><i>stranded</i> 26-16AWG | - | 26-16AWG<br>26-16AWG | 0.14mm <sup>2</sup> (3A) - 2.5mm <sup>2</sup> (10A)<br>0.14mm <sup>2</sup> (3A) - 1.5mm <sup>2</sup> (10A) |

## Ordering Information (3.50 mm Spacing)

| Poles | Length | Std. Pack | Order #        | Type #            |
|-------|--------|-----------|----------------|-------------------|
| 2     | 17.00  | 100       | <b>39.1402</b> | AK4561/2FKD-3.50  |
| 3     | 20.50  | 100       | <b>39.1403</b> | AK4561/3FKD-3.50  |
| 4     | 24.00  | 50        | <b>39.1404</b> | AK4561/4FKD-3.50  |
| 5     | 27.50  | 50        | <b>39.1405</b> | AK4561/5FKD-3.50  |
| 6     | 31.00  | 50        | <b>39.1406</b> | AK4561/6FKD-3.50  |
| 7     | 34.50  | 50        | <b>39.1407</b> | AK4561/7FKD-3.50  |
| 8     | 38.00  | 50        | <b>39.1408</b> | AK4561/8FKD-3.50  |
| 9     | 41.50  | 50        | <b>39.1409</b> | AK4561/9FKD-3.50  |
| 10    | 45.00  | 50        | <b>39.1410</b> | AK4561/10FKD-3.50 |
| 11    | 48.50  | 50        | <b>39.1411</b> | AK4561/11FKD-3.50 |
| 12    | 52.00  | 50        | <b>39.1412</b> | AK4561/12FKD-3.50 |
| 13    | 55.50  | 20        | <b>39.1413</b> | AK4561/13FKD-3.50 |
| 14    | 59.00  | 20        | <b>39.1414</b> | AK4561/14FKD-3.50 |
| 15    | 62.50  | 20        | <b>39.1415</b> | AK4561/15FKD-3.50 |
| 16    | 66.00  | 20        | <b>39.1416</b> | AK4561/16FKD-3.50 |
| 17    | 69.50  | 20        | <b>39.1417</b> | AK4561/17FKD-3.50 |
| 18    | 73.00  | 20        | <b>39.1418</b> | AK4561/18FKD-3.50 |
| 19    | 76.50  | 20        | <b>39.1419</b> | AK4561/19FKD-3.50 |
| 20    | 80.00  | 20        | <b>39.1420</b> | AK4561/20FKD-3.50 |

## Ordering Information (3.81 mm Spacing)

| Poles | Length | Std. Pack | Order #        | Type #            |
|-------|--------|-----------|----------------|-------------------|
| 2     | 12.62  | 100       | <b>39.2402</b> | AKZ4551/2KD-3.81  |
| 3     | 16.43  | 100       | <b>39.2403</b> | AKZ4551/3KD-3.81  |
| 4     | 20.24  | 50        | <b>39.2404</b> | AKZ4551/4KD-3.81  |
| 5     | 24.05  | 50        | <b>39.2405</b> | AKZ4551/5KD-3.81  |
| 6     | 27.86  | 50        | <b>39.2406</b> | AKZ4551/6KD-3.81  |
| 7     | 31.67  | 50        | <b>39.2407</b> | AKZ4551/7KD-3.81  |
| 8     | 35.48  | 50        | <b>39.2408</b> | AKZ4551/8KD-3.81  |
| 9     | 39.29  | 50        | <b>39.2409</b> | AKZ4551/9KD-3.81  |
| 10    | 43.10  | 50        | <b>39.2410</b> | AKZ4551/10KD-3.81 |
| 11    | 46.91  | 50        | <b>39.2411</b> | AKZ4551/11KD-3.81 |
| 12    | 50.72  | 50        | <b>39.2412</b> | AKZ4551/12KD-3.81 |
| 13    | 54.53  | 20        | <b>39.2413</b> | AKZ4551/13KD-3.81 |
| 14    | 58.34  | 20        | <b>39.2414</b> | AKZ4551/14KD-3.81 |
| 15    | 62.15  | 20        | <b>39.2415</b> | AKZ4551/15KD-3.81 |
| 16    | 65.96  | 20        | <b>39.2416</b> | AKZ4551/16KD-3.81 |
| 17    | 69.77  | 20        | <b>39.2417</b> | AKZ4551/17KD-3.81 |
| 18    | 73.58  | 20        | <b>39.2418</b> | AKZ4551/18KD-3.81 |
| 19    | 77.39  | 20        | <b>39.2419</b> | AKZ4551/19KD-3.81 |
| 20    | 81.20  | 20        | <b>39.2420</b> | AKZ4551/20KD-3.81 |

## Material Specifications

|                       |                 |
|-----------------------|-----------------|
| Spring Clamp          | Stainless Steel |
| Contact Spring        | Copper Alloy    |
| Insulating Material   | PA 6.6          |
| Flammability Class    | UL94V-0         |
| Operating Temperature | -30°C - +105°C  |

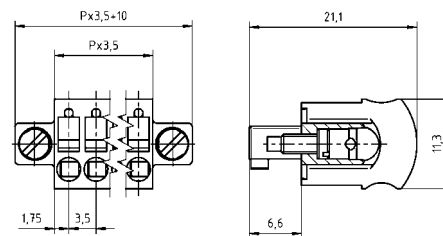
## Installation Data

|                  |      |
|------------------|------|
| Stripping Length | 11mm |
| PCB Hole Size    | -    |

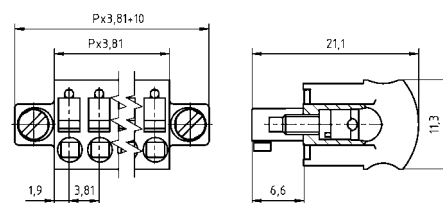
## Other Colors Available

GREEN, RAL 6018

## Dimensions 3.50 (mm)



## Dimensions 3.81 (mm)



AK4951/xxKD-5.00

AKZ4951/xxKD-5.08

**Pluggable Push-In**

5.00 / 5.08 mm Pin Spacing

- Pluggable Push-in Technology
- Standard Color: Dark Gray



| Electrical Ratings |                 | UL E178356 |   |          | IEC                                     | VDE |
|--------------------|-----------------|------------|---|----------|---|-----|
| Usergroup          |                 | B          | C | D        | -                                       |     |
|                    |                 | 300V       | - | 300V     | 250V                                    |     |
| Rated Current      |                 | 10A        | - | 10A      | 12A                                     |     |
| Wire Size          | <i>solid</i>    | 26-12AWG   | - | 26-12AWG | 0.2mm <sup>2</sup> - 2.5mm <sup>2</sup> |     |
|                    | <i>stranded</i> | 26-12AWG   | - | 26-12AWG | 0.2mm <sup>2</sup> - 2.5mm <sup>2</sup> |     |

**Ordering Information (5.00 mm Spacing)**

| Poles | Length | Std. Pack | Order # | Type #           |
|-------|--------|-----------|---------|------------------|
| 2     | 10.00  | 100       | 39.3102 | AK4951/2KD-5.00  |
| 3     | 15.00  | 100       | 39.3103 | AK4951/3KD-5.00  |
| 4     | 20.00  | 50        | 39.3104 | AK4951/4KD-5.00  |
| 5     | 25.00  | 50        | 39.3105 | AK4951/5KD-5.00  |
| 6     | 30.00  | 50        | 39.3106 | AK4951/6KD-5.00  |
| 7     | 35.00  | 50        | 39.3107 | AK4951/7KD-5.00  |
| 8     | 40.00  | 50        | 39.3108 | AK4951/8KD-5.00  |
| 9     | 45.00  | 50        | 39.3109 | AK4951/9KD-5.00  |
| 10    | 50.00  | 50        | 39.3110 | AK4951/10KD-5.00 |
| 11    | 55.00  | 50        | 39.3111 | AK4951/11KD-5.00 |
| 12    | 60.00  | 50        | 39.3112 | AK4951/12KD-5.00 |
| 13    | 65.00  | 20        | 39.3113 | AK4951/13KD-5.00 |
| 14    | 70.00  | 20        | 39.3114 | AK4951/14KD-5.00 |
| 15    | 75.00  | 20        | 39.3115 | AK4951/15KD-5.00 |
| 16    | 80.00  | 20        | 39.3116 | AK4951/16KD-5.00 |
| 17    | 85.00  | 20        | 39.3117 | AK4951/17KD-5.00 |
| 18    | 90.00  | 20        | 39.3118 | AK4951/18KD-5.00 |
| 19    | 95.00  | 20        | 39.3119 | AK4951/19KD-5.00 |
| 20    | 100.00 | 20        | 39.3120 | AK4951/20KD-5.00 |
| 21    | 105.00 | 20        | 39.3121 | AK4951/21KD-5.00 |
| 22    | 110.00 | 20        | 39.3122 | AK4951/22KD-5.00 |
| 23    | 115.00 | 20        | 39.3123 | AK4951/23KD-5.00 |
| 24    | 120.00 | 20        | 39.3124 | AK4951/24KD-5.00 |

**Ordering Information (5.08 mm Spacing)**

| Poles | Length | Std. Pack | Order # | Type #            |
|-------|--------|-----------|---------|-------------------|
| 2     | 10.16  | 100       | 39.4102 | AKZ4951/2KD-5.08  |
| 3     | 15.24  | 100       | 39.4103 | AKZ4951/3KD-5.08  |
| 4     | 20.32  | 50        | 39.4104 | AKZ4951/4KD-5.08  |
| 5     | 25.40  | 50        | 39.4105 | AKZ4951/5KD-5.08  |
| 6     | 30.48  | 50        | 39.4106 | AKZ4951/6KD-5.08  |
| 7     | 35.56  | 50        | 39.4107 | AKZ4951/7KD-5.08  |
| 8     | 40.64  | 50        | 39.4108 | AKZ4951/8KD-5.08  |
| 9     | 45.72  | 50        | 39.4109 | AKZ4951/9KD-5.08  |
| 10    | 48.10  | 50        | 39.4110 | AKZ4951/10KD-5.08 |
| 11    | 50.48  | 50        | 39.4111 | AKZ4951/11KD-5.08 |
| 12    | 52.86  | 50        | 39.4112 | AKZ4951/12KD-5.08 |
| 13    | 55.24  | 20        | 39.4113 | AKZ4951/13KD-5.08 |
| 14    | 57.62  | 20        | 39.4114 | AKZ4951/14KD-5.08 |
| 15    | 60.00  | 20        | 39.4115 | AKZ4951/15KD-5.08 |
| 16    | 62.38  | 20        | 39.4116 | AKZ4951/16KD-5.08 |
| 17    | 64.76  | 20        | 39.4117 | AKZ4951/17KD-5.08 |
| 18    | 67.14  | 20        | 39.4118 | AKZ4951/18KD-5.08 |
| 19    | 69.52  | 20        | 39.4119 | AKZ4951/19KD-5.08 |
| 20    | 71.90  | 20        | 39.4120 | AKZ4951/20KD-5.08 |
| 21    | 74.28  | 20        | 39.4121 | AKZ4951/21KD-5.08 |
| 22    | 76.66  | 20        | 39.4122 | AKZ4951/22KD-5.08 |
| 23    | 79.04  | 20        | 39.4123 | AKZ4951/23KD-5.08 |
| 24    | 81.42  | 20        | 39.4124 | AKZ4951/24KD-5.08 |

**Material Specifications**

|                       |                 |
|-----------------------|-----------------|
| Spring Clamp          | Stainless Steel |
| Contact Spring        | Copper Alloy    |
| Insulating Material   | PA 6.6          |
| Flammability Class    | UL94V-0         |
| Operating Temperature | -30°C - +105°C  |

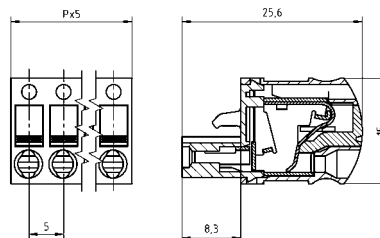
**Installation Data**

|                  |      |
|------------------|------|
| Stripping Length | 12mm |
| PCB Hole Size    | -    |

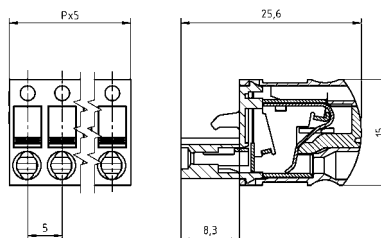
**Other Colors Available**

**GREEN, RAL 6018**

**Dimensions 5.00 (mm)**



**Dimensions 5.08 (mm)**



PUSH-IN

PCB POWER TERMINALS  
PUSH-IN

TENSION SPRING

PLUGGABLE  
PUSH-IN

# Pluggable Push-In

5.00 / 5.08 mm Pin Spacing

- Pluggable Push-in Technology
- Screw Flange
- Standard Color: Dark Gray



AK4951/xxFKD-5.00

AKZ4951/xxFKD-5.08

| Electrical Ratings |                          | UL E178356 |          | IEC                                     | VDE |
|--------------------|--------------------------|------------|----------|---|-----|
| Usergroup          | B                        | C          | D        | -                                       |     |
|                    | 300V                     | -          | 300V     | 250V                                    |     |
| Rated Current      | 10A                      | -          | 10A      | 12A                                     |     |
| Wire Size          | <i>solid</i> 26-12AWG    | -          | 26-12AWG | 0.2mm <sup>2</sup> - 2.5mm <sup>2</sup> |     |
|                    | <i>stranded</i> 26-12AWG | -          | 26-12AWG | 0.2mm <sup>2</sup> - 2.5mm <sup>2</sup> |     |

## Ordering Information (5.00 mm Spacing)

| Poles | Length | Std. Pack | Order # | Type #           |
|-------|--------|-----------|---------|------------------|
| 2     | 20.00  | 100       | 39.3202 | AK4951/2KD-5.00  |
| 3     | 25.00  | 100       | 39.3203 | AK4951/3KD-5.00  |
| 4     | 30.00  | 50        | 39.3204 | AK4951/4KD-5.00  |
| 5     | 35.00  | 50        | 39.3205 | AK4951/5KD-5.00  |
| 6     | 40.00  | 50        | 39.3206 | AK4951/6KD-5.00  |
| 7     | 45.00  | 50        | 39.3207 | AK4951/7KD-5.00  |
| 8     | 50.00  | 50        | 39.3208 | AK4951/8KD-5.00  |
| 9     | 55.00  | 50        | 39.3209 | AK4951/9KD-5.00  |
| 10    | 60.00  | 50        | 39.3210 | AK4951/10KD-5.00 |
| 11    | 65.00  | 50        | 39.3211 | AK4951/11KD-5.00 |
| 12    | 70.00  | 50        | 39.3212 | AK4951/12KD-5.00 |
| 13    | 75.00  | 20        | 39.3213 | AK4951/13KD-5.00 |
| 14    | 80.00  | 20        | 39.3214 | AK4951/14KD-5.00 |
| 15    | 85.00  | 20        | 39.3215 | AK4951/15KD-5.00 |
| 16    | 90.00  | 20        | 39.3216 | AK4951/16KD-5.00 |
| 17    | 95.00  | 20        | 39.3217 | AK4951/17KD-5.00 |
| 18    | 100.00 | 20        | 39.3218 | AK4951/18KD-5.00 |
| 19    | 105.00 | 20        | 39.3219 | AK4951/19KD-5.00 |
| 20    | 110.00 | 20        | 39.3220 | AK4951/20KD-5.00 |
| 21    | 115.00 | 20        | 39.3221 | AK4951/21KD-5.00 |
| 22    | 120.00 | 20        | 39.3222 | AK4951/22KD-5.00 |
| 23    | 125.00 | 20        | 39.3223 | AK4951/23KD-5.00 |
| 24    | 130.00 | 20        | 39.3224 | AK4951/24KD-5.00 |

## Ordering Information (5.08 mm Spacing)

| Poles | Length | Std. Pack | Order # | Type #            |
|-------|--------|-----------|---------|-------------------|
| 2     | 20.16  | 100       | 39.4202 | AKZ4951/2KD-5.08  |
| 3     | 25.24  | 100       | 39.4203 | AKZ4951/3KD-5.08  |
| 4     | 30.32  | 50        | 39.4204 | AKZ4951/4KD-5.08  |
| 5     | 35.40  | 50        | 39.4205 | AKZ4951/5KD-5.08  |
| 6     | 40.48  | 50        | 39.4206 | AKZ4951/6KD-5.08  |
| 7     | 45.56  | 50        | 39.4207 | AKZ4951/7KD-5.08  |
| 8     | 50.64  | 50        | 39.4208 | AKZ4951/8KD-5.08  |
| 9     | 55.72  | 50        | 39.4209 | AKZ4951/9KD-5.08  |
| 10    | 60.80  | 50        | 39.4210 | AKZ4951/10KD-5.08 |
| 11    | 65.88  | 50        | 39.4211 | AKZ4951/11KD-5.08 |
| 12    | 70.96  | 50        | 39.4212 | AKZ4951/12KD-5.08 |
| 13    | 76.04  | 20        | 39.4213 | AKZ4951/13KD-5.08 |
| 14    | 81.12  | 20        | 39.4214 | AKZ4951/14KD-5.08 |
| 15    | 86.20  | 20        | 39.4215 | AKZ4951/15KD-5.08 |
| 16    | 91.28  | 20        | 39.4216 | AKZ4951/16KD-5.08 |
| 17    | 96.36  | 20        | 39.4217 | AKZ4951/17KD-5.08 |
| 18    | 101.44 | 20        | 39.4218 | AKZ4951/18KD-5.08 |
| 19    | 106.52 | 20        | 39.4219 | AKZ4951/19KD-5.08 |
| 20    | 111.60 | 20        | 39.4220 | AKZ4951/20KD-5.08 |
| 21    | 116.68 | 20        | 39.4221 | AKZ4951/21KD-5.08 |
| 22    | 121.76 | 20        | 39.4222 | AKZ4951/22KD-5.08 |
| 23    | 126.84 | 20        | 39.4223 | AKZ4951/23KD-5.08 |
| 24    | 131.92 | 20        | 39.4224 | AKZ4951/24KD-5.08 |

## Material Specifications

|                       |                 |
|-----------------------|-----------------|
| Spring Clamp          | Stainless Steel |
| Contact Spring        | Copper Alloy    |
| Insulating Material   | PA 6.6          |
| Flammability Class    | UL94V-0         |
| Operating Temperature | -30°C - +105°C  |

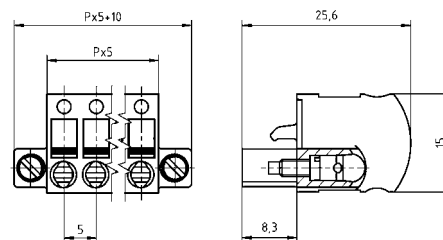
## Installation Data

|                  |      |
|------------------|------|
| Stripping Length | 12mm |
| PCB Hole Size    | -    |

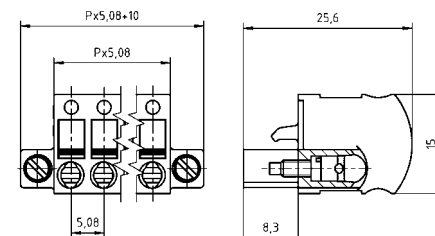
## Other Colors Available

 GREEN, RAL 6018

## Dimensions 5.00 (mm)



## Dimensions 5.08 (mm)



PUSH-IN

PCB POWER TERMINALS  
PUSH-IN

TENSION SPRING

PLUGGABLE  
PUSH-IN



# INDEX

## BY ORDER NUMBER

| Order No. | Type No.            | Page |
|-----------|---------------------|------|
| 38.11xx   | AK3191/xx-2.5       | 16   |
| 38.12xx   | AK3191/xxKD-2.5     | 16   |
| 38.13xx   | AKZ3191/xx-2.54     | 17   |
| 38.14xx   | AKZ3191/xxKD-2.54   | 17   |
| 38.25xx   | AK3100/xx-5.0       | 18   |
| 38.26xx   | AK3101/xxKD-5.0     | 18   |
| 38.27xx   | AK3101/xxWD-5.0     | 19   |
| 38.21xx   | AK3000/xx-5.0       | 20   |
| 38.22xx   | AK3001/xxKD-5.0     | 20   |
| 38.23xx   | AK3001/xxFD-5.0     | 21   |
| 38.24xx   | AK3001/xxWD-5.0     | 21   |
| 38.31xx   | AK3750/xx-5.0       | 26   |
| 38.32xx   | AK3750/xxVP-5.0     | 27   |
| 38.35xx   | AKZ3750/xx-5.08     | 26   |
| 38.36xx   | AKZ3750/xxVP-5.08   | 27   |
| 38.41xx   | AK3010/xx-7.5       | 22   |
| 38.42xx   | AK3011/xxKD-7.5     | 22   |
| 38.43xx   | AK3011/xxFD-7.5     | 23   |
| 38.44xx   | AK3011/xxWD-7.5     | 23   |
| 38.51xx   | AK3000/xx-10.0      | 24   |
| 38.52xx   | AK3001/xxKD-10.0    | 24   |
| 38.53xx   | AK3001/xxFD-10.0    | 25   |
| 38.54xx   | AK3001/xxWD-10.0    | 25   |
| 39.11xx   | AK4551/xxKD-3.50    | 28   |
| 39.12xx   | AK4551/xxFKD-3.50   | 29   |
| 39.13xx   | AK4561/xxKD-3.50    | 30   |
| 39.14xx   | AK4561/xxFKD-3.50   | 31   |
| 39.21xx   | AKZ4551/xxKD-3.81   | 28   |
| 39.22xx   | AKZ4551/xxFKD-3.81  | 29   |
| 39.23xx   | AKZ4561/xxKD-3.81   | 30   |
| 39.24xx   | AKZ4561/xxFKD-3.81  | 31   |
| 39.31xx   | AK4951/xxKD-5.00    | 32   |
| 39.32xx   | AK4951/xxFKD-5.00   | 33   |
| 39.41xx   | AKZ4951/xxKD-5.08   | 32   |
| 39.42xx   | AKZ4951/xxFKD-5.08  | 33   |
| 39.510x   | AK4191/xxKD-2.5     | 4    |
| 39.515x   | AK4191/xxKDVP-2.5   | 4    |
| 39.520x   | AK4291/xxKD-3.5     | 5    |
| 39.525x   | AK4291/xxKDVP-3.5   | 5    |
| 39.530x   | AKZ4791/xxKD-2.54-H | 6    |
| 39.535x   | AKZ4791/xxKD-2.54-V | 6    |
| 39.540x   | AKZ4701/xxKD-3.81-H | 7    |
| 39.545x   | AKZ4701/xxKD-3.81-V | 7    |
| 39.560x   | AK4100/xx-5.0       | 8    |
| 39.565x   | AK4101/xxKD-5.0     | 8    |
| 39.57xx   | AKZ4301/xxKD-5.08   | 9    |
| 39.810x   | AK4200/xx-5.0-H     | 10   |
| 39.815x   | AK4200/xx-5.0-V     | 10   |
| 39.830x   | AK4200/xx-7.5-H     | 11   |
| 39.835x   | AK4200/xx-7.5-V     | 11   |
| 39.840x   | AK4210/xx-7.5-H     | 12   |
| 39.845x   | AK4210/xx-7.5-V     | 12   |
| 39.850x   | AK4210/xxVP-7.5-H   | 13   |
| 39.855x   | AK4210/xxVP-7.5-V   | 13   |
| 39.860x   | AK4210/xx-11.5-H    | 14   |
| 39.865x   | AK4210/xx-11.5-V    | 14   |

## BY TYPE NUMBER

| Type No.            | Order No. | Page |
|---------------------|-----------|------|
| AK3000/xx-10.0      | 38.51xx   | 24   |
| AK3000/xx-5.0       | 38.21xx   | 20   |
| AK3001/xxFD-10.0    | 38.53xx   | 25   |
| AK3001/xxFD-5.0     | 38.23xx   | 21   |
| AK3001/xxKD-10.0    | 38.52xx   | 24   |
| AK3001/xxKD-5.0     | 38.22xx   | 20   |
| AK3001/xxWD-10.0    | 38.54xx   | 25   |
| AK3001/xxWD-5.0     | 38.24xx   | 21   |
| AK3010/xx-7.5       | 38.41xx   | 22   |
| AK3011/xxFD-7.5     | 38.43xx   | 23   |
| AK3011/xxKD-7.5     | 38.42xx   | 22   |
| AK3011/xxWD-7.5     | 38.44xx   | 23   |
| AK3100/xx-5.0       | 38.25xx   | 18   |
| AK3101/xxKD-5.0     | 38.26xx   | 18   |
| AK3101/xxWD-5.0     | 38.27xx   | 19   |
| AK3191/xx-2.5       | 38.11xx   | 16   |
| AK3191/xxKD-2.5     | 38.12xx   | 16   |
| AK3750/xx-5.0       | 38.31xx   | 26   |
| AK3750/xxVP-5.0     | 38.32xx   | 27   |
| AK4100/xx-5.0       | 39.560x   | 8    |
| AK4101/xxKD-5.0     | 39.565x   | 8    |
| AK4191/xxKD-2.5     | 39.510x   | 4    |
| AK4191/xxKDVP-2.5   | 39.515x   | 4    |
| AK4200/xx-5.0-H     | 39.810x   | 10   |
| AK4200/xx-5.0-V     | 39.815x   | 10   |
| AK4200/xx-7.5-H     | 39.830x   | 11   |
| AK4200/xx-7.5-V     | 39.835x   | 11   |
| AK4210/xx-11.5-H    | 39.860x   | 14   |
| AK4210/xx-11.5-V    | 39.865x   | 14   |
| AK4210/xx-7.5-H     | 39.840x   | 12   |
| AK4210/xx-7.5-V     | 39.845x   | 12   |
| AK4210/xxVP-7.5-H   | 39.850x   | 13   |
| AK4210/xxVP-7.5-V   | 39.855x   | 13   |
| AK4291/xxKD-3.5     | 39.520x   | 5    |
| AK4291/xxKDVP-3.5   | 39.525x   | 5    |
| AK4551/xxFKD-3.50   | 39.12xx   | 29   |
| AK4551/xxKD-3.50    | 39.11xx   | 28   |
| AK4561/xxFKD-3.50   | 39.14xx   | 31   |
| AK4561/xxKD-3.50    | 39.13xx   | 30   |
| AK4951/xxFKD-5.00   | 39.32xx   | 33   |
| AK4951/xxKD-5.00    | 39.31xx   | 32   |
| AKZ3191/xx-2.54     | 38.13xx   | 17   |
| AKZ3191/xxKD-2.54   | 38.14xx   | 17   |
| AKZ3750/xx-5.08     | 38.35xx   | 26   |
| AKZ3750/xxVP-5.08   | 38.36xx   | 27   |
| AKZ4301/xxKD-5.08   | 39.57xx   | 9    |
| AKZ4551/xxFKD-3.81  | 39.22xx   | 29   |
| AKZ4551/xxKD-3.81   | 39.21xx   | 28   |
| AKZ4561/xxFKD-3.81  | 39.24xx   | 31   |
| AKZ4561/xxKD-3.81   | 39.23xx   | 30   |
| AKZ4701/xxKD-3.81-H | 39.540x   | 7    |
| AKZ4701/xxKD-3.81-V | 39.545x   | 7    |
| AKZ4791/xxKD-2.54-H | 39.530x   | 6    |
| AKZ4791/xxKD-2.54-V | 39.535x   | 6    |
| AKZ4951/xxFKD-5.08  | 39.42xx   | 33   |
| AKZ4951/xxKD-5.08   | 39.41xx   | 32   |

PUSH-IN

PCB POWER TERMINALS  
PUSH-IN

TENSION SPRING

PLUGGABLE  
PUSH-IN

# STANDARD TERMS AND CONDITIONS OF SALE

**TITLE** - Title to the products of ALTECH shall remain with ALTECH until payment is made in full by Customer. Such reservation of title is for the purpose of securing the purchase price and shall not relieve Customer of the duty to inspect the products upon receipt, to notify ALTECH of any deficiencies or defects, and to exercise due care in the use, installation, operation, and maintenance of the products when on the premise of the Customer or under the control of the Customer. Notwithstanding any reservation of title by ALTECH, risk of loss shall pass to customer at any time of shipment.

**SHIPMENT AND DELIVERY** - All orders for destination in the mainland United States (less Hawaii, Alaska and non-continental United States possessions) will be shipped F.O.B. Flemington, N.J. All destination, shipping and other charges shall be paid by the Customer in accordance with ALTECH's then current shipping and billing practices.

Delivery dates given in the acceptance of any order are approximate. ALTECH shall not be liable for delays in delivery or in performance due to causes beyond its reasonable control including acts of God, acts of Customer, acts of civil or military authority, fires, strikes or other labor disturbances, war, riot or delays in transportation. In the event of such delay, the date of delivery or performance shall be extended for a period equal to the time lost by reason of the delay.

**PRICE** - PRICES in any ALTECH publication are subject to change without prior notification. Catalog prices are based on prices published in the current price list. All written quotations are valid for thirty (30) days from the date of quotation. Customer shall pay all sales, use, excise or similar taxes whenever ALTECH must itself pay and/or collect such tax from Customer arising out of the sale.

**PAYMENT** - Customer agrees to make payment within thirty (30) days of date of the invoice from ALTECH. Customer agrees to pay a late payment charge of one and one-half percent (1.5% per month, or the maximum late payment charge permitted by applicable law, whichever is less, on any unpaid amount for each calendar month (or fraction thereof) that such payment is in default. Orders amounting to less than \$100.00 will be billed at \$100.00 plus freight. Full carton purchases are required. In the event of referral to an attorney for collection, reasonable attorney's fees for collection of the overdue amount shall be paid by Customer. In the event payment is not received within 30 days from the date of invoice, any discount shall be cancelled and the full list price will be due.

**LIMITED WARRANTY** - ALTECH warrants to Customer that the equipment purchases shall be free from defects in material and workmanship under normal use and service for a period of one year from shipment.

Written notice as an explanation of the circumstances of any claim that the equipment has proved defective in material or workmanship shall be given promptly by the Customer to ALTECH.

ALTECH will not be liable for any misuse, improper operations, improper installation, improper maintenance, alteration, modification, accident or unusual degradation of the equipment or parts due to an unsuitable installation environment.

No representation of other affirmation of facts, including but not limited to statements regarding capacity, suitability for use or performance of the equipment, shall be or be deemed to be a warranty or representation by ALTECH for any purpose, nor give rise to any liability or obligation of ALTECH whatsoever.

Customer's sole and exclusive remedy in the event of breach of warranty, as set forth herein, is expressly limited to (1) the correction of the defect by adjustment, repair, modification, or replacement, or (2) issuance of a credit or refund of the purchase price for the defective equipment at ALTECH's election and sole expense.

EXCEPT AS SPECIFICALLY PROVIDED IN THIS AGREEMENT, THERE ARE NO OTHER WARRANTIES EXPRESSED OR IMPLIED INCLUDING BUT NOT LIMITED TO ANY IMPLIED WARRANTIES OR MERCHANTABILITY OR FITNESS FOR A PARTICULAR PURPOSE.

THIS WARRANTY EXTENDS ONLY TO THE CUSTOMER FROM ALTECH OR ITS AUTHORIZED DISTRIBUTOR.

**LIMITATION OF LIABILITY** - IN NO EVENT, SHALL ALTECH BE LIABLE FOR LOSS OF PROFITS, INDIRECT, SPECIAL, CONSEQUENTIAL OR OTHER SIMILAR DAMAGES ARISING OUT OF ANY BREACH OF THIS AGREEMENT OR OBLIGATIONS UNDER THE AGREEMENT.

ALTECH SHALL NOT BE LIABLE FOR ANY DAMAGES CAUSED BY DELAY IN SHIPMENT, INSTALLATION OR FURNISHING OF EQUIPMENT OR SERVICES UNDER THIS AGREEMENT.

No action arising out of any claimed breach of this Agreement may be brought by either party more than two (2) years after the cause of action has accrued.

**PATENT INDEMNITY** - ALTECH shall defend or settle any suit or proceeding brought against Customer based on a claim that any equipment made to ALTECH design and furnished hereunder constitutes an infringement of any existing United States patent, provided (ALTECH) is notified promptly in writing and is given complete authorization and information required for the defense, and ALTECH shall pay all damages and costs awarded against Customer, but shall not be responsible for any costs, expense or compromise incurred or made by Customer without ALTECH's prior written consent. If any equipment is in ALTECH's opinion likely to or does become the subject of a claim for patent infringement, ALTECH may at its option and expense procure for Customer the right to continue using the device, modify it to become non-infringing, but in the event ALTECH is not reasonably able to modify, substitute, or otherwise procure for Customer the right to continue using it, ALTECH will remove such equipment and refund to Customer the amount paid in excess of a reasonable rental for past use.

ALTECH shall not be liable for any infringement or claim based upon use of the equipment in combination with other equipment not supplied by ALTECH or with modifications made by Customer.

The foregoing states the entire liability of ALTECH to Customer arising from patent infringement.

**SELLER'S REMEDIES** - Should Customer fail to make any payment within ten (10) days of its due date, or fail to perform any other of the Customer's obligation hereunder upon thirty (30) days written notice, or should Customer be or become insolvent or be a party to any bankruptcy receivership proceeding prior to full payment of all amounts payable hereunder, ALTECH may: (a) with or without demand or notice to customer declare the entire amount unpaid immediately due and payable; (b) enter upon the premises where the equipment may be found and remove it (Customer shall assemble the equipment and make it available to ALTECH at a place reasonably convenient to both parties and shall permit and assist ALTECH in effecting the retaking and removal of the equipment); and (c) sell any or all the equipment as permitted under applicable law, applying the proceeds of the sale to payment of the expenses of retaking, repairing and selling the equipment, reasonable attorney fees and to the satisfaction of all indebtedness then due and unpaid under this Agreement. Any surplus shall be paid to Customer and any deficiency shall be paid to ALTECH by Customer.

The remedies provided herein shall be cumulative and in addition to all other remedies provided by law or equity or under the Uniform Commercial Code.

**GOVERNING LAW** - This agreement will be governed by the Laws of the State of New Jersey.

**GENERAL** - This Agreement shall only become effective and binding when either (a) it has been accepted and executed by an authorized representative of ALTECH, or (b) the equipment has been shipped to Customer, with or without acceptance in writing hereon. Notice of acceptance is hereby waived by Customer. Customer hereby acknowledges receipt of a true and complete copy hereof.

No addition to or modification of any of the Terms and Conditions of Sale as they appear herein shall be binding upon ALTECH unless signed in writing by duly authorized representative of ALTECH in Flemington, N.J.

Typographical and clerical errors in quotations, orders and acknowledgments are subject to correction.

This Agreement is not assignable without the prior written consent of ALTECH. Any attempt to assign any of the rights, duties or obligations of this Agreement without such consent is void.

If any provision or provisions of this Agreement shall be held to be invalid, illegal or unenforceable, the validity, legality and enforceability, of the remaining provisions shall not in any way be affected or impaired thereby.

ALTECH is not responsible for failure to fulfill its obligation under this Agreement due to causes beyond its control, or except as agreed herein.

THE CUSTOMER ACKNOWLEDGES THAT HE HAS READ THE AGREEMENT, UNDERSTANDS IT, AND AGREES TO BE BOUND BY ITS TERMS AND CONDITIONS. FURTHERMORE, THE CUSTOMER AGREES THAT IT IS THE COMPLETE AND EXCLUSIVE STATEMENT OF THE AGREEMENT BETWEEN THE PARTIES, WHICH SUPERSEDES ALL PROPOSALS OR PRIOR AGREEMENTS, ORAL OR WRITTEN, EXPRESSED OR IMPLIED, AND ALL OTHER COMMUNICATIONS BETWEEN THE PARTIES RELATING TO THE SUBJECT MATTER OF THIS AGREEMENT.

PUSH-IN

PCB POWER TERMINALS  
PUSH-IN

TENSION SPRING

PLUGGABLE  
PUSH-IN





### Altech Search

- Home
- Stock Check
- Distributors
- Information
- News
- Contact
- Rep/Dist Login
- Altech Mexico

### WEB TOOLS

- Altech Videos
- Product Crossings
- Request for Quote
- Sample Request
- Catalog Request
- eBook Catalog

### PRODUCT MENU

- ATEX Products
- Circuit Protection / Control
- Connectors
- Enclosures
- European Spare Parts
- Digital Panel Meters
- Foot Switches
- Interface Modules
- Panel Accessories
- Power Supplies
- Power Semi-Conductors
- Programmable Controllers
- Push Buttons & Pilot Lights
- Relays
- Sensors
- Safety Switches & Enclosures
- Solid State Relays
- Terminal Blocks
- Test & Measurement
- Power Lights

### New Products and Promotions

AS SHORT AS **2** Week Turn Around

## CUSTOM ASSEMBLY and Valued Added Services

- Imprinting
- Relay Modules
- Light Assemblies
- Interface Modules
- Component Carrier Modules
- Foot Switch Assemblies
- DIN Rail Assemblies
- Enclosure Milling

Click for your local  
ALTECH REPRESENTATIVE

**Serving the Automation & Control Industry  
Since 1984**

### CIRCUIT PROTECTION

- Circuit Protection Devices
- Busbar & Power Distribution
- Contactors, Overload Relays, Manual Motor Starters
- Motor Disconnect Switches
- European Fuses & Holders

### CONNECTORS

- Pin & Sleeve Devices
- Receptacles
- Industrial Rectangular Connectors

### ENCLOSURES

- Industrial & ATEX Enclosures
- DIN Enclosures

### FOOT SWITCHES

- Industrial
- Medical

### MODULES & RELAYS

- Interface Modules
- Safety Relays
- Industrial & Slimline Relays

Altech Corporation  
35 Royal Road  
Flemington, NJ 08822-6000  
P 908.806.9400 • F 908.806.9490  
www.altechcorp.com  
Altech Corp.® 515-082016  
Printed August 2016

