

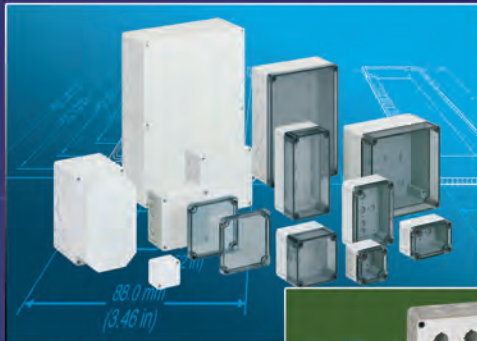
# Altech Corp.®

Serving the Automation & Control Industry since 1984



Quality  
Endorsed  
Company

Side A



30.4 mm  
(1.20 in)

73.0 mm  
(2.87 in)



Side B



89.0 mm  
(3.50 in)



89.0 mm  
(3.50 in)

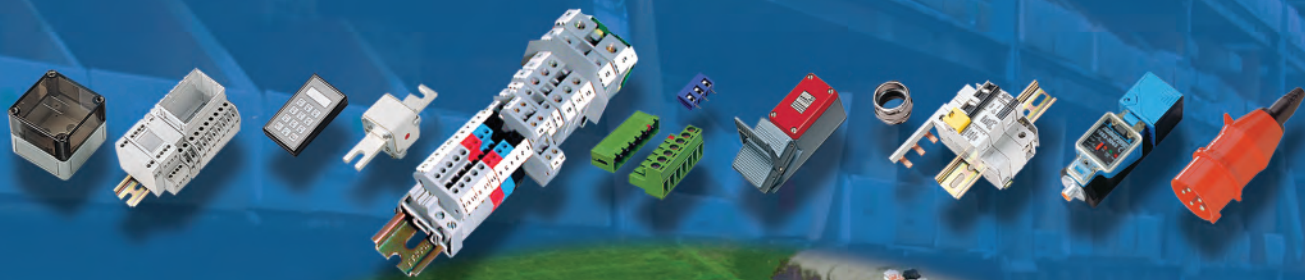
**els spelsberg**  
Industrial  
Enclosures

# Industrial Enclosures

Since 1984, Altech Corporation has grown to become a leading supplier of automation and industrial control components. Headquartered in Flemington, NJ, Altech has an experienced staff of engineering, manufacturing and sales personnel to provide the highest quality products with superior service. This is the Altech Commitment!

Altech's line of industrial enclosures are manufactured by els Spelsberg, a company well known in Europe for its quality enclosures. Their fully automated manufacturing facility produces more than 100,000 enclosures per day. At any given time, approximately one million enclosures of various sizes and types are in inventory, ready for immediate shipment to customers worldwide.

Our well trained technical experts welcome the opportunity to answer your technical questions and provide solutions to your automation and control needs. Give us a call or visit [www.altechcorp.com](http://www.altechcorp.com).



## Quality Commitment

Altech's control components meet diverse national and international standards such as UL, NEC, CSA, IEC, VDE and more. Altech provides superior customer service and delivery through Total Quality Management and Continuous Process Improvement. Altech is ISO 9001 approved. We perform these services with honesty and integrity and are committed to achieve these goals.



# Table of Contents **Altech** by **els spelsberg**



**TK Series**  
Small to medium enclosures  
50 x 52 x 35 to 360 x 254 x 165 mm  
1.97 x 2.05 x 1.38 to 14.2 x 10.0 x 6.50 in  
10-45



**EK Series**  
Small to medium size enclosures  
with transparent doors  
130 x 94 x 80 to 361 x 254 x 110 mm  
5.12 x 3.70 x 3.15 to 14.21 x 10.0 x 4.33 in  
114-120



**TG Series**  
Small to medium enclosures  
84 x 82 x 55 to 302 x 232 x 110 mm  
3.31 x 3.23 x 2.17 to 11.89 x 9.13 x 4.33 in  
46-63



**AK Series**  
Small to large size enclosures  
with transparent doors  
100 x 150 x 96 to 900 x 300 x 142 mm  
3.94 x 5.91 x 3.78 to 35.43 x 11.81 x 5.59 in  
122-136



**AL Series**  
Small to medium size enclosures  
made of aluminum  
50 x 45 x 30 to 388 x 270 x 117 mm  
1.97 x 1.77 x 1.18 to 15.28 x 10.63 x 4.61 in  
64-89



**HP Series**  
Economy junction boxes  
75 x 75 x 42 to 199 x 149 x 70 mm  
2.95 x 2.95 x 1.65 to 7.83 x 5.87 x 3.03 in  
138-145



**Abox Series**  
Small to medium junction boxes  
80 x 80 x 52 to 250 x 250 x 115 mm  
3.15 x 3.15 x 2.05 to 9.84 x 9.84 x 4.53 in  
90-98



**PB Series**  
Push button enclosures  
94 x 94 x 81 to 180 x 94 x 81 mm  
3.70 x 3.70 x 3.19 to 7.09 x 3.70 x 3.19 in  
146-147



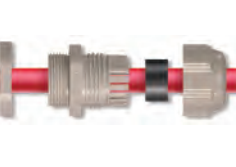
**Abox-i Series**  
Small to medium junction boxes  
for harsh environments  
80 x 80 x 52 to 250 x 250 x 115 mm  
3.15 x 3.15 x 2.05 to 9.84 x 9.84 x 4.53 in  
100-107



**Accessories**  
148-151



**AKL Series**  
Medium to large enclosures  
150 x 300 x 132 to 600 x 300 x 210 mm  
5.91 x 11.81 x 5.20 to 23.62 x 11.81 x 8.27 in  
108-113



**Strain Reliefs**  
152

Application Ideas .....4-5  
Design Features .....6-9  
Technical Annex .....153-158

Index .....159-161  
Terms and Conditions .....162

# No matter the application or condition we have your components covered.

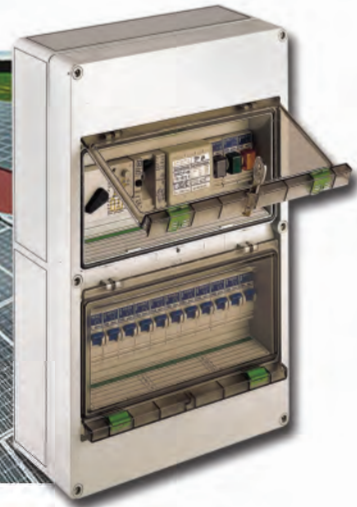
**Altech** enclosures by **els spelsberg** provide needed protection in a functional and creative way, while enhancing the value of your product with their appealing designs.

Whatever your application, you can rely on our enclosure to meet the most demanding requirements for housing and protecting components and devices. And we do it with functional, yet appealing designs that can enhance the value of your product. From light to heavy duty industrial or marine environments, our family of enclosures secure and protect control components, DIN rail mount terminal blocks and circuit breakers, switches, meters, printed circuit boards, as well as instruments and sensors.

Using state of the art machining, we can equip your enclosures with terminal blocks and other custom components to meet your special requirements.

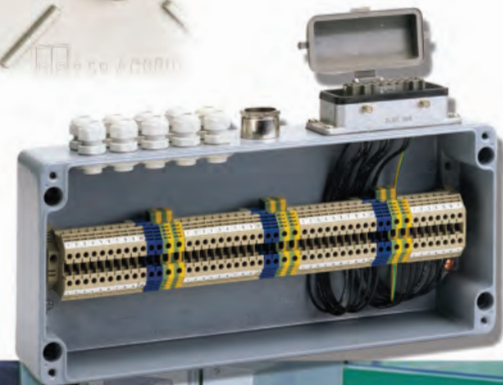


## SOLAR



## EASY

## CONNECT



## AGRICULTURE



## CUSTOMIZABLE



ALUMINUM



PRINTABLE



CONSTRUCTION



AIRPORT  
TERMINALS



WET & COLD

## BENEFITS

### Rustproof

- Polycarbonate/Polystyrene enclosures will last indefinitely without corrosion

### Visibility

- Components and devices are fully visible through transparent covers, while completely protected and insulated

### Impact Resistant

- Non-metallic enclosures withstand bumps and blows, they will not dent

### Maintenance Free

- Surface finish does not deteriorate and requires no special painting or refinishing

### Chemical resistant

- Resist weak and strong acids and alkali

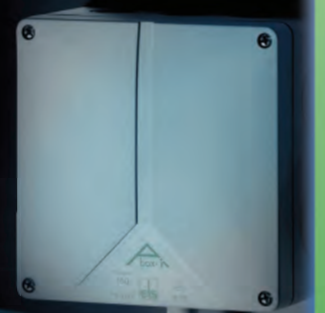
### Lightweight

- Non-metallic enclosures weigh significantly less than metal, simplifying handling

### Flexibility

- Enclosures can be easily customized

## INDUSTRIAL



*Illustrated are just a few of the applications for our enclosures.*

# DESIGN FEATURES



## Smooth or Knockout Sidewalls

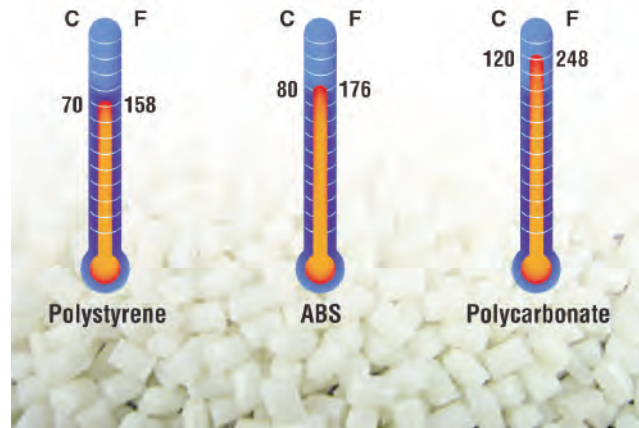
Smooth sidewalls provide for installation of custom openings for wire, cable, conduit fittings, or mounting of devices

(TK, EK Series). Sidewall knockouts provide factory molded knockouts conveniently positioned for wire, cable or conduit fittings. They are quickly and easily removed by pushing out after scoring.



## Customization

Our enclosures can be factory supplied with custom openings. Using state of the art machining, we can punch, drill, mill or cut to your most exacting specifications. We customize quickly and accurately, ... at a reasonable cost!



## Materials

Only flame retardant polystyrene, ABS or glass filled polycarbonate materials are used to meet the requirements of UL94 and VDE 0471.

Polycarbonate is suitable for temperatures up to 120°C (248°F), ABS is rated for temperatures up to 80°C (176°F) and 70°C (158°F) for Polystyrene. Polycarbonate is UV stable making it the appropriate choice for outdoor applications.



## Colors

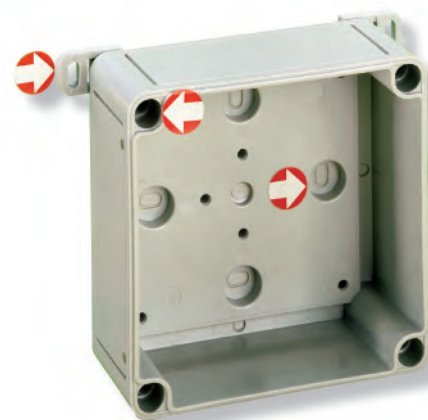
The standard color for the enclosure base is light gray. Covers are available in gray or tinted transparent (TK, EK, AK Series). Custom colors are available in production quantities upon request.

## DESIGN FEATURES



### Protection

Protection up to IP67 (NEMA 4, 4X) can be attained depending on enclosure series and fittings selected.



### Enclosure Mounting

Altech enclosures by **els** spelsberg can be mounted directly onto a panel, frame or other mounting surface through corner mounting holes, knockout holes molded into the base, or optional mounting tabs. Sealing caps for base mounted screws are included.

**Note:** Corner hole or flange mounting is required to maintain the NEMA 4X rating on TK and EK Enclosures.



### Covers

Covers are available in alternate heights, in standard gray or tinted transparent. Quick release, polyamide screws make cover removal easy.



### Enclosure Printing

Three Altech printing options are available; digital printing, screen printing and adhesive labels. Printing customizes the enclosure giving it a professional look. This service is offered even at low initial production quantities.

# DESIGN FEATURES



## Combination Kits

Enclosures can be combined to create layer units or special configurations with the use of combination kits. The combination kit ensures that the degree of protection will be maintained. Refer to page 149 for ordering information.



## EMI/RFI Coating

The TK Series Enclosures can be EMI/RFI shielded. The enclosures are internally vacuum coated with conducting metal. This coating effectively protects valuable equipment from electromagnetic interference and electrostatic discharge.



## Hinge Kits

Hinges maximize accessibility. They are supplied as kits, complete with mounting instructions, hardware and a mounting template. Hinges do not compromise NEMA or IEC ratings when installed to factory guidelines or when factory installed. Refer to page 150 for ordering information.



## TG Series Unique Design

The TG series incorporates design features to make work faster, easier and more efficient. All TG Enclosures have integral cover retainers. This captive lid often eliminates the need for additional hinge sets while keeping the lid close at hand. Quick turn screws are optional on the TG series. These screws feature 1/4 turn functionality for fast, reliable access to the enclosure. A simple 1/4 turn releases the screw, pushing the screw back in and another 1/4 turn secures it.



## DESIGN FEATURES



### Seals

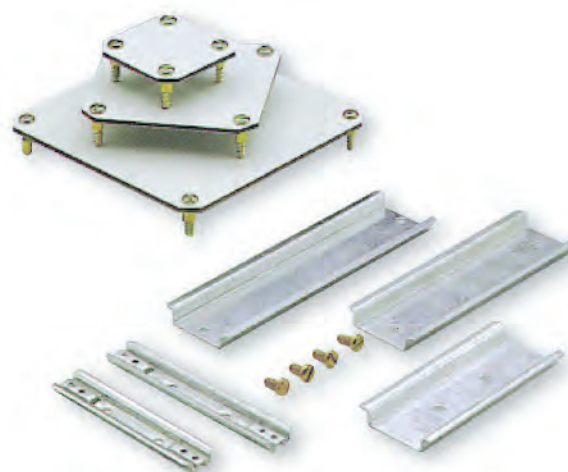
A groove and lip type seal design is used on most series to provide the highest possible degree of protection. The seamless polyurethane seals are automatically injected into the grooves, insuring consistent quality.

Having excellent memory characteristics, our seals will not dry out, crack or deteriorate.



### Fittings

Fittings are an important part of the enclosure's sealing system. To satisfy the appropriate NEMA and/or IEC requirements, the proper fittings must be selected. For our wide selection of Pg, metric and NPT fittings, refer to pages 150-152.



### Mounting Plates and DIN Rails

Mounting plates and DIN rails are supplied as kits complete with screws and spacers where needed. Mounting plates are used to attach components and devices having specific hole patterns that do not match standard base mounting provisions. Refer to pages 149-151 for specifying and ordering information.



### Function Guarantee Fire Protection

WKE Series junction boxes protect electrical installations during a fire for critical systems such as emergency lighting, ventilation systems and lifts. Flame protection is provided for 30 to 90 minutes, depending on model, and water ingress protection up to IP65. Typical applications include tunnels, mining operations, high rise buildings and other areas where evacuation route power must be maintained for life saving escape routes and rescue equipment. Please consult Altech for more information on these specialty products.



# TK Series

Designed for tough industrial environments and a wide variety of applications, TK Enclosures are available with standard gray or tinted transparent covers in several heights. Sidewalls are supplied smooth or with knockouts. Precision molded from impact and flame resistant materials, they offer functionality and appealing solutions for diverse application requirements.

- 18 different enclosures with up to 3 different cover heights
- IP66 (NEMA 4X)
- Polystyrene or Polycarbonate
- Gray or tinted transparent covers
- Smooth sidewalls or sidewalls with knockouts
- Four cover mounting screws
- Tongue and groove with polyurethane gasket (CFC free)
- Gasket inserted by robots
- HF - EMC models available
- Knockout mounting holes in enclosure base
- Screw fastening cover design requires six turns to lock
- Dust and moisture proof
- Non flammable and halogen free

# The TK Choice

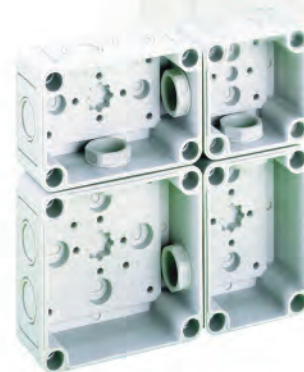
Sample application.



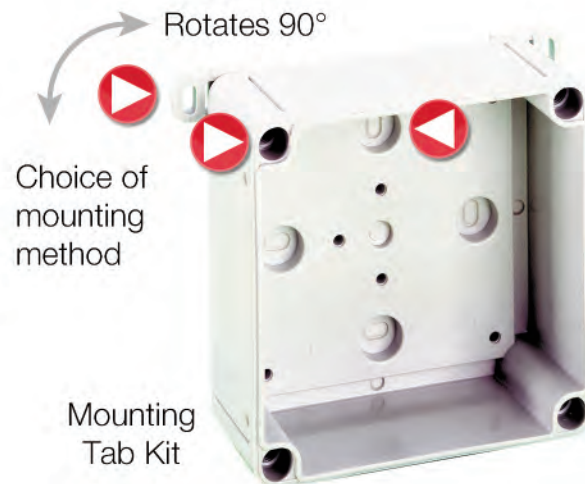
Different cover heights.



Combinable



External hinges



# TK 55/TK75 – Polycarbonate – 50 x 52 mm (1.97 x 2.05 in.) / 65 x 50 mm (2.56 x 1.97 in.)

## Standard Features

- **Protection Level:** IP66 (NEMA Type: 4X with gray cover, 12K with transparent cover)
- **Technical:** Smooth Sidewalls  
1 Sidewall Knockout or Integral Cable Gland (5-10mm cable diameter)  
Gray or Clear Transparent Cover
- **Enclosure Materials:** Polycarbonate
- **Gasket Material:** Polyurethane
- **Color:** Light Gray
- **Material**  
**Temperature Range:** Polycarbonate  
-40°C to 120°C (-40°F to 248°F)
- **Accessories:** See section below



### TK55 - 50 x 52 mm

#### Polycarbonate

Ordering Information	Height mm (in)	Cat. No.	Type	Cover Color	Std. Pk.
☐ Enclosure - smooth sidewall	35 mm (1.38 in)	120-455	PC 55-4-o	gray	5
☐ Enclosure - smooth sidewall	35 mm (1.38 in)	130-455	PC 55-4-to	trans.	5
☐ Enclosure - metric knockout	35 mm (1.38 in)	127-455	PC 55-4-m	gray	5
☐ Enclosure - metric knockout	35 mm (1.38 in)	137-455	PC 55-4-tm	trans.	5
☐ Enclosure - Integral Cable Gland	35 mm (1.38 in)	129-455	PC 55-4-v	gray	5
☐ Enclosure - Integral Cable Gland	35 mm (1.38 in)	139-455	PC 55-4-tv	trans.	5

### TK75 - 65 x 50 mm

#### Polycarbonate

Ordering Information	Height mm (in)	Cat. No.	Type	Cover Color	Std. Pk.
☐ Enclosure - smooth sidewall	35 mm (1.38 in)	120-475	PC 75-4-o	gray	5
☐ Enclosure - smooth sidewall	35 mm (1.38 in)	130-475	PC 75-4-to	trans.	5
☐ Enclosure - metric knockout	35 mm (1.38 in)	127-475	PC 75-4-m	gray	5
☐ Enclosure - metric knockout	35 mm (1.38 in)	137-475	PC 75-4-tm	trans.	5
☐ Enclosure - Integral Cable Gland	35 mm (1.38 in)	129-475	PC 75-4-v	gray	5
☐ Enclosure - Integral Cable Gland	35 mm (1.38 in)	139-475	PC 75-4-tv	trans.	5
☐ Enclosure - 2 x Integral Cable Gland	35 mm (1.38 in)	128-475	PC 75-4-2v	gray	5
☐ Enclosure - 2 x Integral Cable Gland	35 mm (1.38 in)	138-475	PC 75-4-2tv	trans.	5

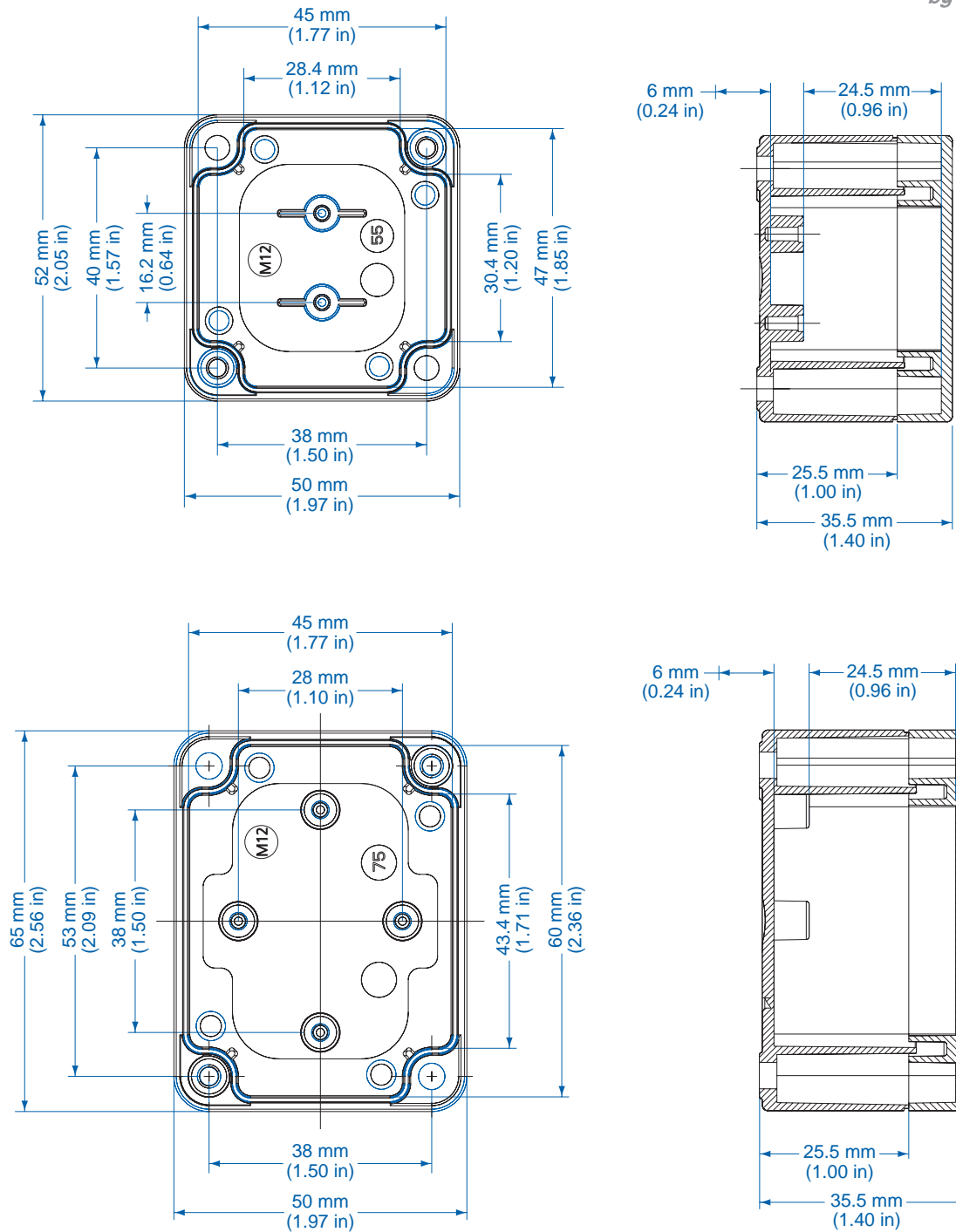
### Accessories

Ordering Information	Cat. No.	Type	Std. Pk.
Mounting Plate (TK55)	195-055	TKMPI-55	5
Mounting Plate (TK75)	195-075	TKMPI-75	5
PCB Bracket	194-110	MP/LPH	2
Mounting Bracket	194-002	MB	1

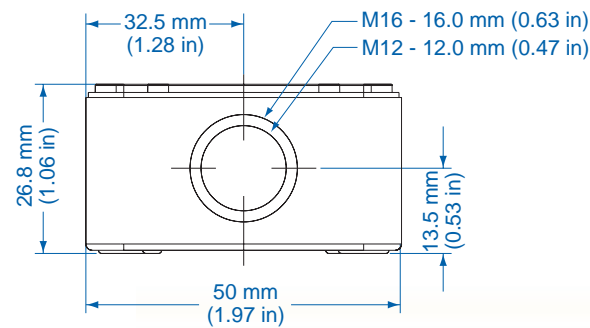
Please refer to pages 149-152 for additional accessories and detailed information.

\* Only parts without integral cable glands are UL listed.

Dimensions



**Knockout Positions**  
(one side only)



## TK 77 – Polystyrene and Polycarbonate – 65 x 65 mm (2.56 x 2.56 in.)

### Standard Features

- **Protection Level:** IP66 (NEMA Type: 4X with gray cover, 12K with transparent cover)
- **Technical:** Smooth or Knockout Sidewalls  
Gray or Tinted Transparent Cover  
Multiple Enclosure Mounting Options
- **UL Recognized**
- **Enclosure Materials:** Polystyrene or Polycarbonate
- **Gasket Material:** Polyurethane
- **Color:** Light Gray
- **Material**
- **Temperature Range:** Polystyrene  
-40°C to 70°C (-40°F to 158°F)  
Polycarbonate  
-40°C to 120°C (-40°F to 248°F)
- **Accessories:** See section below



### Smooth Sidewalls

Ordering Information	Height mm (in)	Polystyrene				Polycarbonate			
		Cat. No.	Type	Cover Color	Std. Pk.	Cat. No.	Type	Cover Color	Std. Pk.
☐ Enclosure - low cover	57 mm (2.24 in)	110-401	PS 77-6-o	gray	5	120-401	PC 77-6-o	gray	5
☐ Enclosure - high cover	81 mm (3.19 in)	110-901	PS 77-8-o	gray	5	120-901	PC 77-8-o	gray	5
☐ Enclosure - low cover	57 mm (2.24 in)	111-001	PS 77-6-to	trans.	5	130-001	PC 77-6-to	trans.	5
☐ Enclosure - high cover	81 mm (3.19 in)	111-501	PS 77-8-to	trans.	5	130-501	PC 77-8-to	trans.	5

### Sidewalls with Metric Knockouts

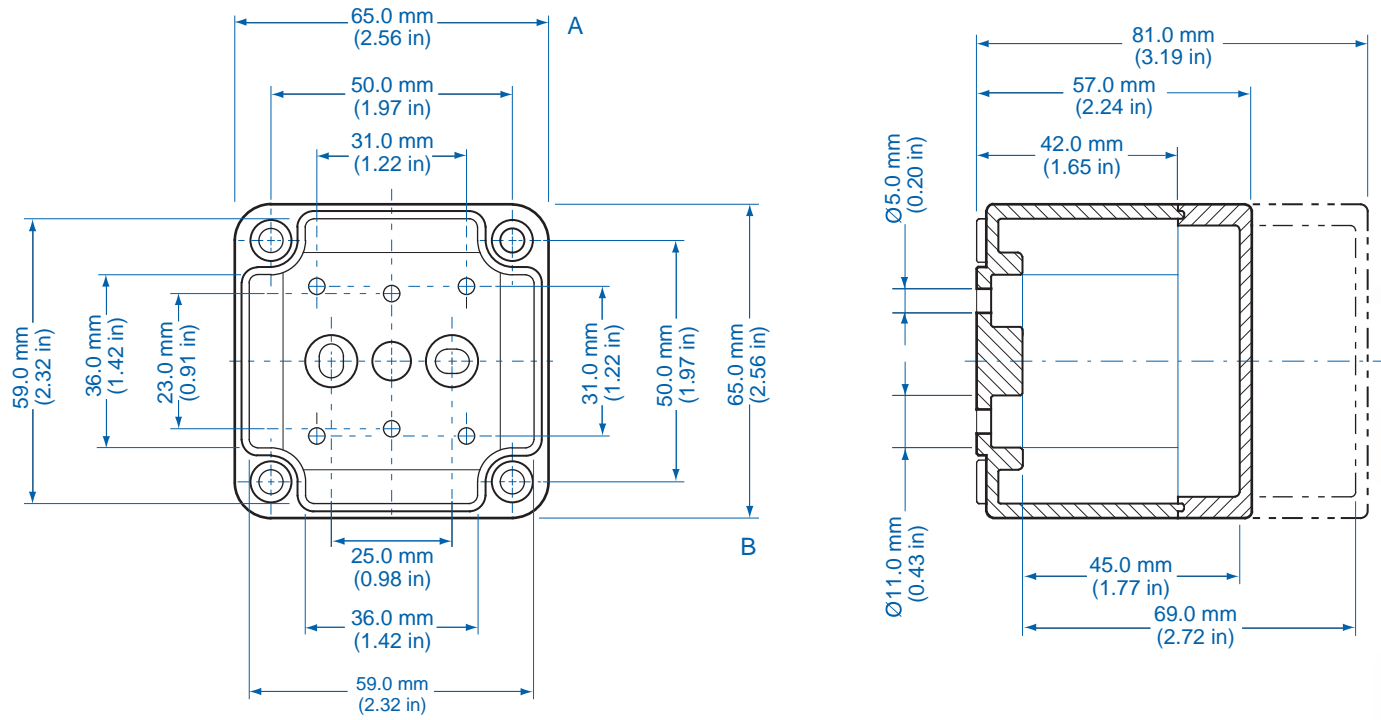
Ordering Information	Height mm (in)	Polystyrene				Polycarbonate			
		Cat. No.	Type	Cover Color	Std. Pk.	Cat. No.	Type	Cover Color	Std. Pk.
☐ Enclosure - low cover	57 mm (2.24 in)	105-401	PS 77-6-m	gray	5	127-401	PC 77-6-m	gray	5
☐ Enclosure - high cover	81 mm (3.19 in)	105-901	PS 77-8-m	gray	5	127-901	PC 77-8-m	gray	5
☐ Enclosure - low cover	57 mm (2.24 in)	106-001	PS 77-6-tm	trans.	5	137-001	PC 77-6-tm	trans.	5
☐ Enclosure - high cover	81 mm (3.19 in)	106-501	PS 77-8-tm	trans.	5	137-501	PC 77-8-tm	trans.	5

### Accessories

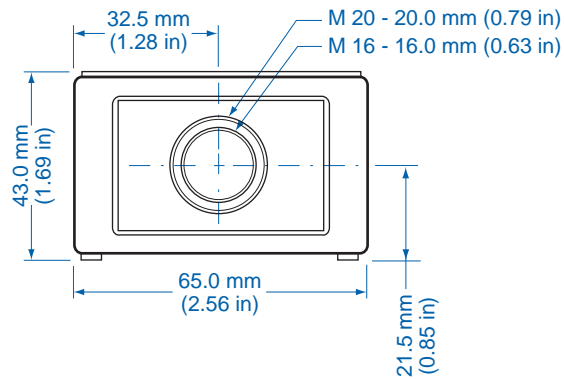
Ordering Information	Cat. No.	Type	Std. Pk.
Mounting Plate (plastic)	195-001	TKMPI-77	1
Mounting Plate (steel)	197-001	TKMPS-77	1
DIN Rail TS15-49.5mm	197-049	TS 15/49.5	1
Hinge Kit Set	190-002	HK1	1
Mounting Tab Kit	194-001	MT1	1

Please refer to pages 149-152 for additional accessories and detailed information.

Dimensions



Knockout Positions  
(all 4 sides)



## TK 97 – Polystyrene and Polycarbonate – 94 x 65 mm (3.70 x 2.56 in.)

### Standard Features

- **Protection Level:** IP66 (NEMA Type: 4X with gray cover, 12K with transparent cover)
- **Technical:** Smooth or Knockout Sidewalls  
Gray or Tinted Transparent Cover  
Multiple Enclosure Mounting Options
- **UL Recognized**  
**Enclosure Materials:** Polystyrene or Polycarbonate  
**Gasket Material:** Polyurethane  
**Color:** Light Gray  
**Material**  
**Temperature Range:** Polystyrene  
-40°C to 70°C (-40°F to 158°F)  
Polycarbonate  
-40°C to 120°C (-40°F to 248°F)
- **Accessories:** See section below



### Smooth Sidewalls

Ordering Information	Height mm (in)	Polystyrene				Polycarbonate			
		Cat. No.	Type	Cover Color	Std. Pk.	Cat. No.	Type	Cover Color	Std. Pk.
☐ Enclosure - low cover	57 mm (2.24 in)	110-402	PS 97-6-o	gray	5	120-402	PC 97-6-o	gray	5
☐ Enclosure - high cover	81 mm (3.19 in)	110-902	PS 97-8-o	gray	5	120-902	PC 97-8-o	gray	5
☐ Enclosure - low cover	57 mm (2.24 in)	111-002	PS 97-6-to	trans.	5	130-002	PC 97-6-to	trans.	5
☐ Enclosure - high cover	81 mm (3.19 in)	111-502	PS 97-8-to	trans.	5	130-502	PC 97-8-to	trans.	5

### Sidewalls with Metric Knockouts

Ordering Information	Height mm (in)	Polystyrene				Polycarbonate			
		Cat. No.	Type	Cover Color	Std. Pk.	Cat. No.	Type	Cover Color	Std. Pk.
☐ Enclosure - low cover	57 mm (2.24 in)	105-402	PS 97-6-m	gray	5	127-402	PC 97-6-m	gray	5
☐ Enclosure - high cover	81 mm (3.19 in)	105-902	PS 97-8-m	gray	5	127-902	PC 97-8-m	gray	5
☐ Enclosure - low cover	57 mm (2.24 in)	106-002	PS 97-6-tm	trans.	5	137-002	PC 97-6-tm	trans.	5
☐ Enclosure - high cover	81 mm (3.19 in)	106-502	PS 97-8-tm	trans.	5	137-502	PC 97-8-tm	trans.	5

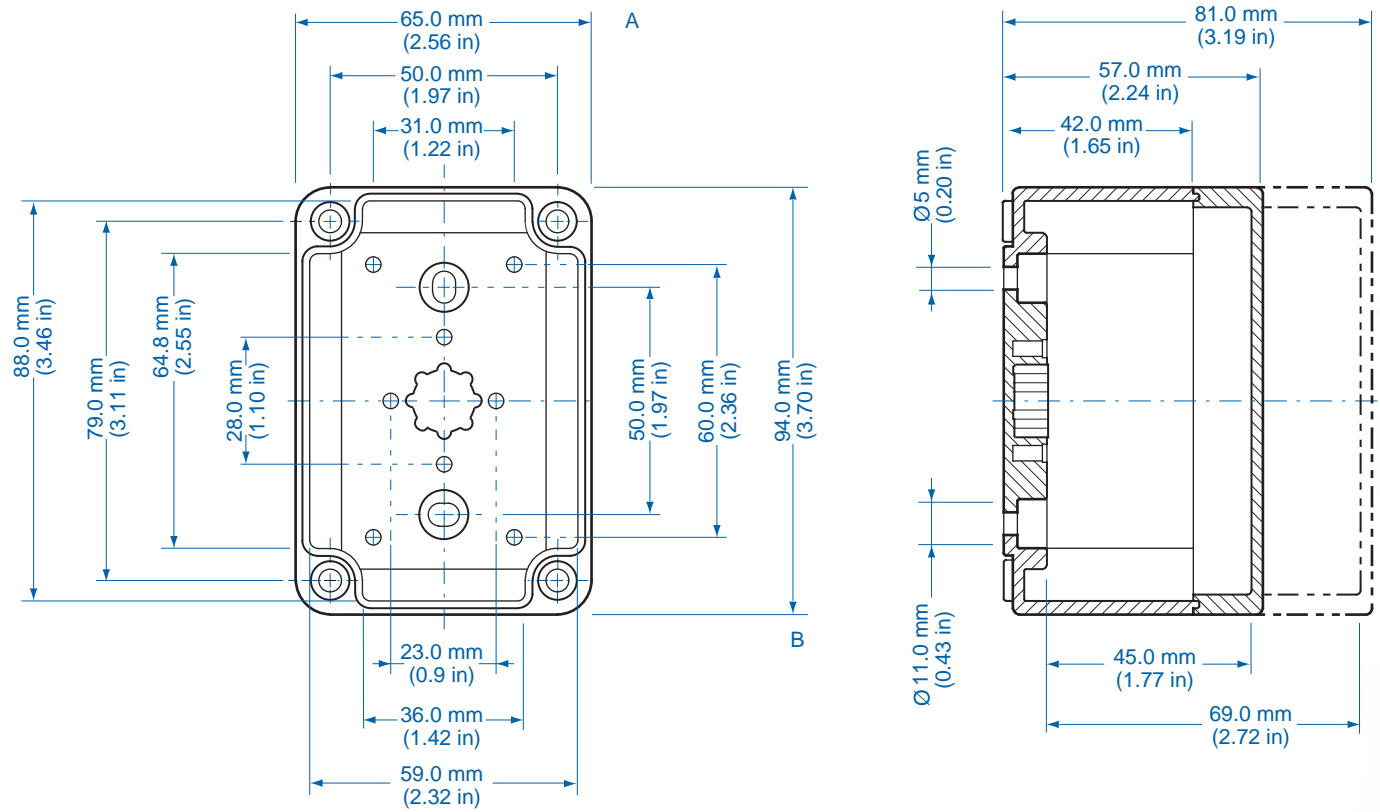
### Accessories

Ordering Information	Cat. No.	Type	Std. Pk.
Mounting Plate (plastic)	195-002	TKMPI-97	1
Mounting Plate (steel)	197-002	TKMPS-97	1
DIN Rail TS15-80mm	197-080	TS 15/80	1
Hinge Kit Set	190-002	HK1	1
Mounting Tab Kit	194-001	MT1	1

Please refer to pages 149-152 for additional accessories and detailed information.

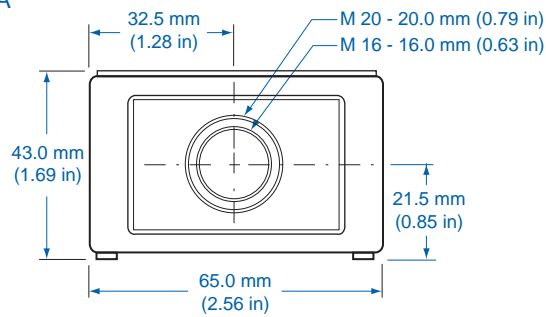


Dimensions

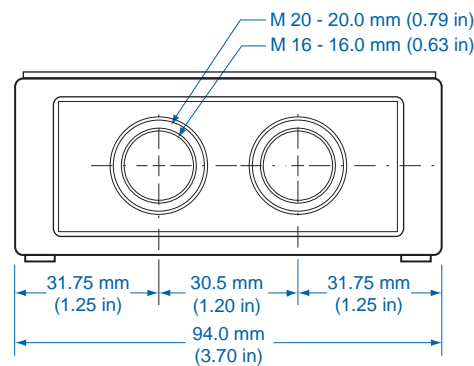


Knockout Positions

Side A



Side B



# TK 99 – Polystyrene and Polycarbonate – 94 x 94 mm (3.70 x 3.70 in.)

## Standard Features

- **Protection Level:** IP66 (NEMA Type: 4X with gray cover, 12K with transparent cover)
- **Technical:** Smooth or Knockout Sidewalls  
Gray or Tinted Transparent Cover  
Multiple Enclosure Mounting Options
- **UL Recognized**  
**Enclosure Materials:** Polystyrene or Polycarbonate  
**Gasket Material:** Polyurethane  
**Color:** Light Gray  
**Material**  
**Temperature Range:** Polystyrene  
-40°C to 70°C (-40°F to 158°F)  
Polycarbonate  
-40°C to 120°C (-40°F to 248°F)
- **Accessories:** See section below



## Smooth Sidewalls

		Polystyrene					Polycarbonate			
Ordering Information	Height mm (in)	Cat. No.	Type	Cover Color	Std. Pk.	Cat. No.	Type	Cover Color	Std. Pk.	
☐ Enclosure - low cover	57 mm (2.24 in)	110-403	PS 99-6-o	gray	4	120-403	PC 99-6-o	gray	4	
☐ Enclosure - high cover	81 mm (3.19 in)	110-903	PS 99-8-o	gray	3	120-903	PC 99-8-o	gray	3	
☐ Enclosure - low cover	57 mm (2.24 in)	111-003	PS 99-6-to	trans.	4	130-003	PC 99-6-to	trans.	4	
☐ Enclosure - high cover	81 mm (3.19 in)	111-503	PS 99-8-to	trans.	3	130-503	PC 99-8-to	trans.	3	

## Sidewalls with Metric Knockouts

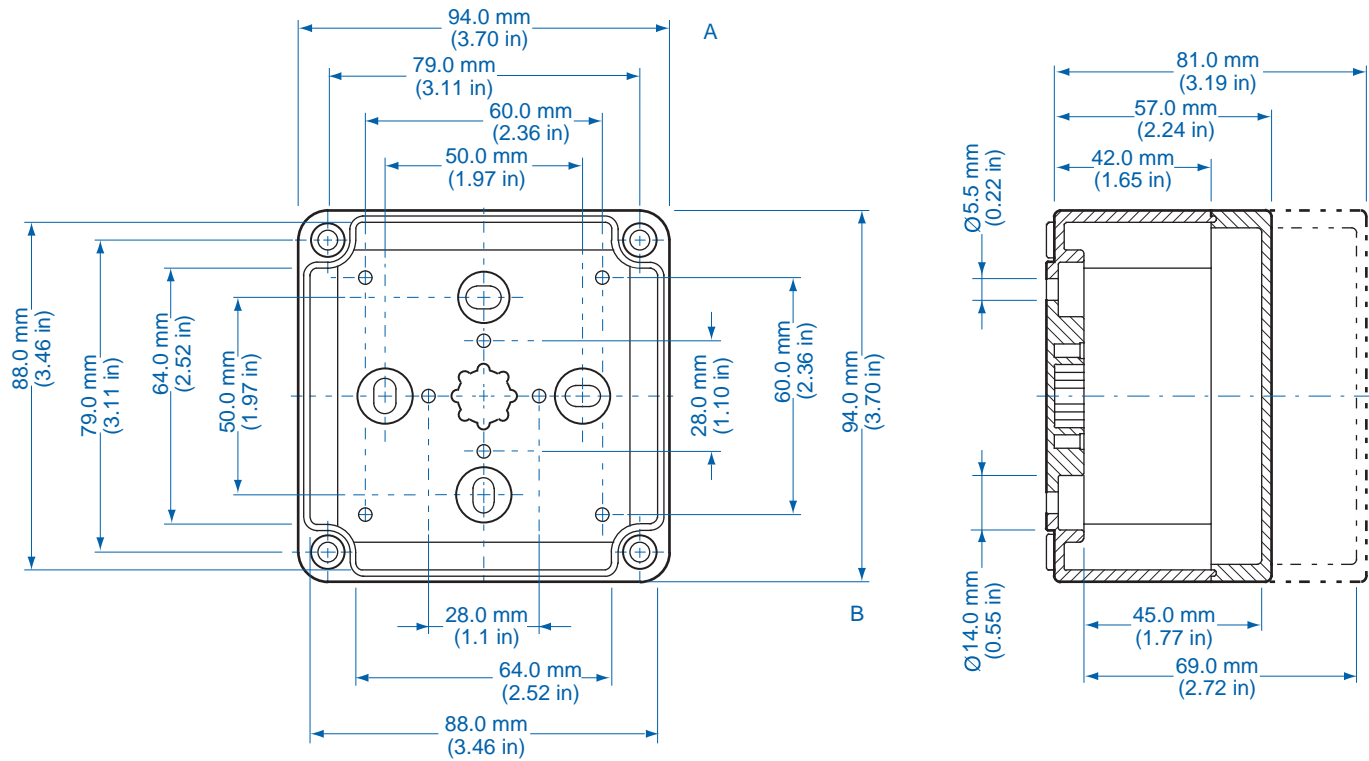
		Polystyrene					Polycarbonate			
Ordering Information	Height mm (in)	Cat. No.	Type	Cover Color	Std. Pk.	Cat. No.	Type	Cover Color	Std. Pk.	
☐ Enclosure - low cover	57 mm (2.24 in)	105-403	PS 99-6-m	gray	4	127-403	PC 99-6-m	gray	4	
☐ Enclosure - high cover	81 mm (3.19 in)	105-903	PS 99-8-m	gray	3	127-903	PC 99-8-m	gray	3	
☐ Enclosure - low cover	57 mm (2.24 in)	106-003	PS 99-6-tm	trans.	4	137-003	PC 99-6-tm	trans.	4	
☐ Enclosure - high cover	81 mm (3.19 in)	106-503	PS 99-8-tm	trans.	3	137-503	PC 99-8-tm	trans.	3	

## Accessories

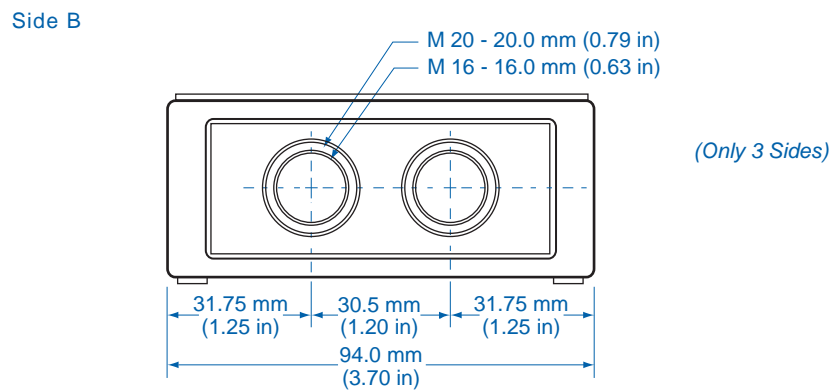
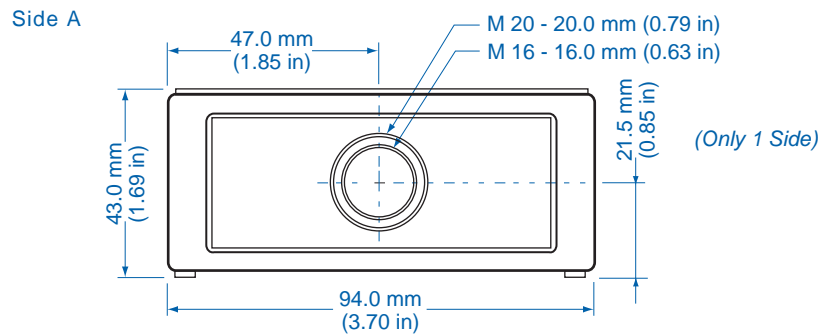
Ordering Information	Cat. No.	Type	Std. Pk.
Mounting Plate (plastic)	195-003	TKMPI-99	1
Mounting Plate (steel)	197-003	TKMPS-99	1
DIN Rail TS15 - 80 mm	197-080	TS 15/80	1
Hinge Kit Set	190-002	HK1	1
Mounting Tab Kit	194-001	MT1	1

Please refer to pages 149-152 for additional accessories and detailed information.

Dimensions



Knockout Positions



# TK 1111 – Polystyrene and Polycarbonate – 110 x 110 mm (4.33 x 4.33 in.)

## Standard Features

- **Protection Level:** IP66 (NEMA Type: 4X with gray cover, 12K with transparent cover)
- **Technical:** Smooth or Knockout Sidewalls  
Gray or Tinted Transparent Cover  
Multiple Enclosure Mounting Options
- **UL Recognized**
- **Enclosure Materials:** Polystyrene or Polycarbonate
- **Gasket Material:** Polyurethane
- **Color:** Light Gray
- **Material**
- **Temperature Range:** Polystyrene  
-40°C to 70°C (-40°F to 158°F)  
Polycarbonate  
-40°C to 120°C (-40°F to 248°F)
- **Accessories:** See section below



### Smooth Sidewalls

Ordering Information	Height mm (in)	Polystyrene					Polycarbonate			
		Cat. No.	Type	Cover Color	Std. Pk.	Cat. No.	Type	Cover Color	Std. Pk.	
☐ Enclosure - low cover	66 mm (2.60 in)	110-404	PS 1111-7-o	gray	3	120-404	PC 1111-7-o	gray	3	
☐ Enclosure - high cover	90 mm (3.54 in)	110-904	PS 1111-9-o	gray	3	120-904	PC 1111-9-o	gray	3	
☐ Enclosure - low cover	66 mm (2.60 in)	111-004	PS 1111-7-to	trans.	3	130-004	PC 1111-7-to	trans.	3	
☐ Enclosure - high cover	90 mm (3.54 in)	111-504	PS 1111-9-to	trans.	3	130-504	PC 1111-9-to	trans.	3	

### Sidewalls with Metric Knockouts

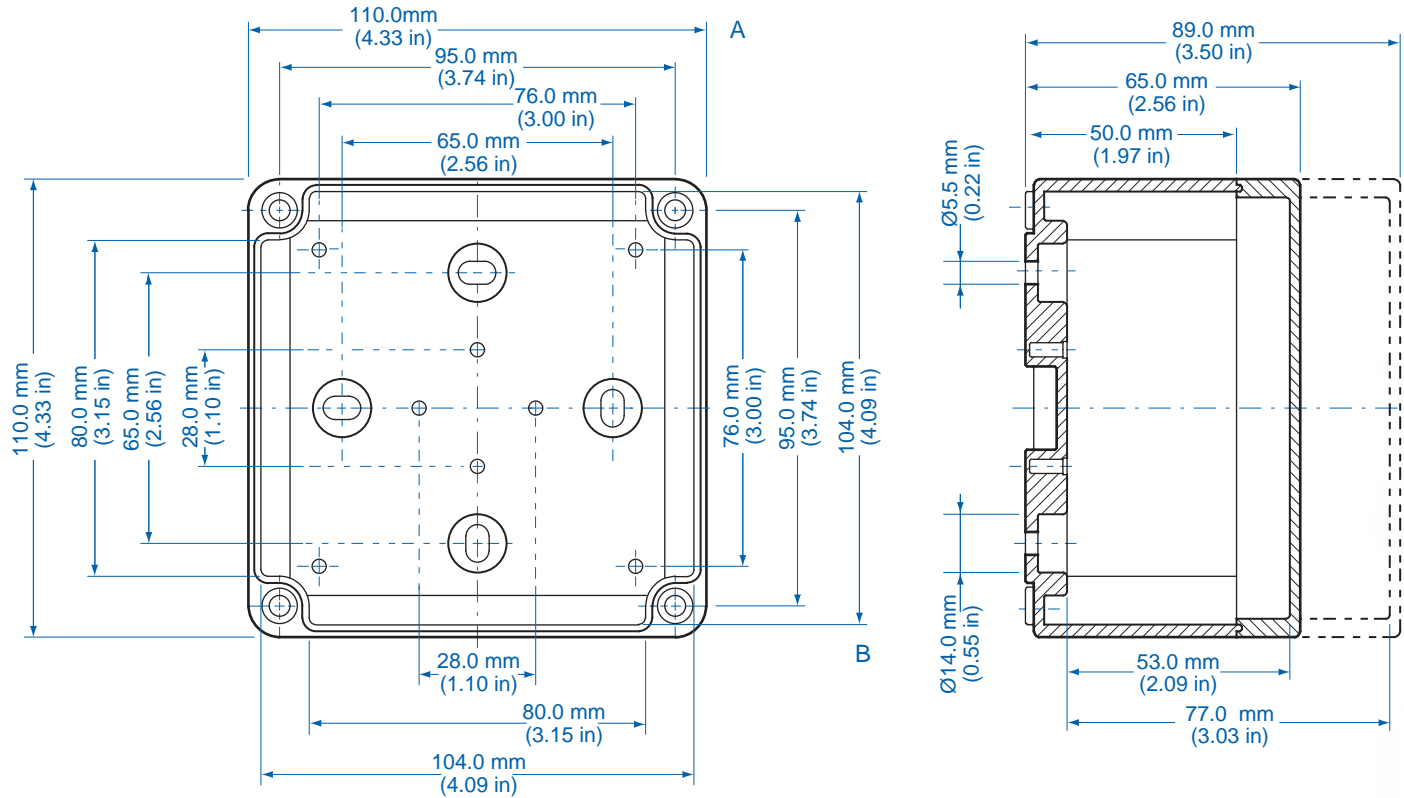
Ordering Information	Height mm (in)	Polystyrene					Polycarbonate			
		Cat. No.	Type	Cover Color	Std. Pk.	Cat. No.	Type	Cover Color	Std. Pk.	
☐ Enclosure - low cover	66 mm (2.60 in)	105-404	PS 1111-7-m	gray	3	127-404	PC 1111-7-m	gray	3	
☐ Enclosure - high cover	90 mm (3.54 in)	105-904	PS 1111-9-m	gray	3	127-904	PC 1111-9-m	gray	3	
☐ Enclosure - low cover	66 mm (2.60 in)	106-004	PS 1111-7-tm	trans.	3	137-004	PC 1111-7-tm	trans.	3	
☐ Enclosure - high cover	90 mm (3.54 in)	106-504	PS 1111-9-tm	trans.	3	137-504	PC 1111-9-tm	trans.	3	

### Accessories

Ordering Information	Cat. No.	Type	Std. Pk.
Mounting Plate (plastic)	195-004	TKMPI-1111	1
Mounting Plate (steel)	197-004	TKMPS-1111	1
DIN Rail TS35-81mm	198-081	TS 35/81	1
DIN Rail TS15-92mm	197-092	TS 15/92	1
Hinge Kit Set	190-002	HK1	1
Mounting Tab Kit	194-001	MT1	1

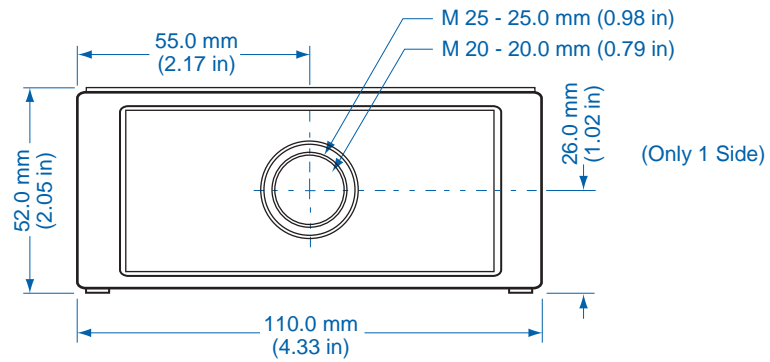
Please refer to pages 149-152 for additional accessories and detailed information.

Dimensions

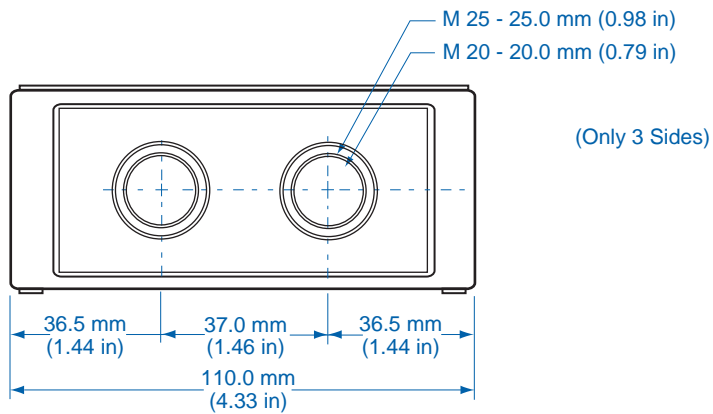


Knockout Positions

Side A



Side B



# TK 1309 – Polystyrene and Polycarbonate – 130 x 94 mm (5.12 x 3.70 in.)

## Standard Features

- **Protection Level:** IP66 (NEMA Type: 4X with gray cover, 12K with transparent cover)
- **Technical:** Smooth or Knockout Sidewalls  
Gray or Tinted Transparent Cover  
Multiple Enclosure Mounting Options
- **UL Recognized**  
**Enclosure Materials:** Polystyrene or Polycarbonate
- **Gasket Material:** Polyurethane
- **Color:** Light Gray
- **Material**  
**Temperature Range:** Polystyrene  
-40°C to 70°C (-40°F to 158°F)  
Polycarbonate  
-40°C to 120°C (-40°F to 248°F)
- **Accessories:** See section below



### Smooth Sidewalls

			Polystyrene				Polycarbonate			
Ordering Information	Height mm (in)	Cat. No.	Type	Cover Color	Std. Pk.	Cat. No.	Type	Cover Color	Std. Pk.	
☐ Enclosure - low cover	57 mm (2.24 in)	110-409	PS 1309-6-o	gray	3	120-409	PC 1309-6-o	gray	3	
☐ Enclosure - high cover	81 mm (3.19 in)	110-909	PS 1309-8-o	gray	3	120-909	PC 1309-8-o	gray	3	
☐ Enclosure - low cover	57 mm (2.24 in)	111-009	PS 1309-6-to	trans.	3	130-009	PC 1309-6-to	trans.	3	
☐ Enclosure - high cover	81 mm (3.19 in)	111-509	PS 1309-8-to	trans.	3	130-509	PC 1309-8-to	trans.	3	

### Sidewalls with Metric Knockouts

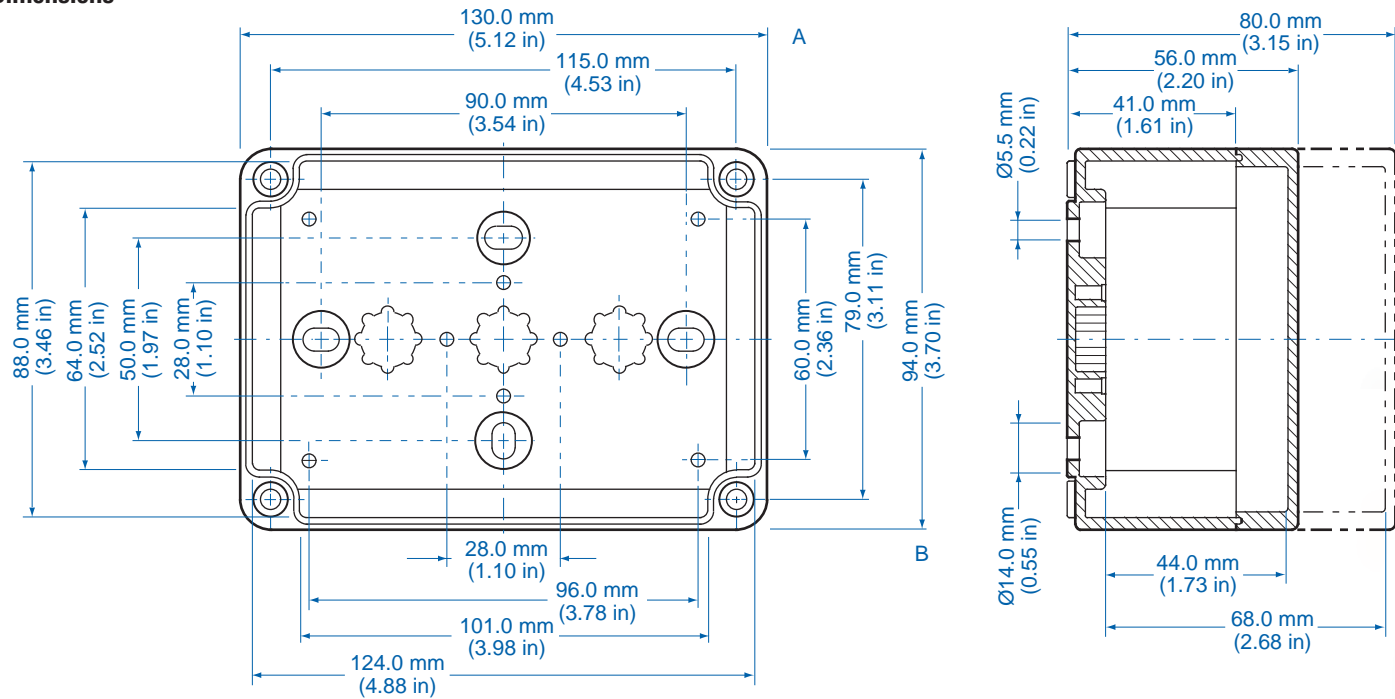
			Polystyrene				Polycarbonate			
Ordering Information	Height mm (in)	Cat. No.	Type	Cover Color	Std. Pk.	Cat. No.	Type	Cover Color	Std. Pk.	
☐ Enclosure - low cover	57 mm (2.24 in)	105-409	PS 1309-6-m	gray	3	127-409	PC 1309-6-m	gray	3	
☐ Enclosure - high cover	81 mm (3.19 in)	105-909	PS 1309-8-m	gray	3	127-909	PC 1309-8-m	gray	3	
☐ Enclosure - low cover	57 mm (2.24 in)	106-009	PS 1309-6-tm	trans.	3	137-009	PC 1309-6-tm	trans.	3	
☐ Enclosure - high cover	81 mm (3.19 in)	106-509	PS 1309-8-tm	trans.	3	137-509	PC 1309-8-tm	trans.	3	

### Accessories

Ordering Information	Cat. No.	Type	Std. Pk.
Mounting Plate (plastic)	195-009	TKMPI-1309	1
Mounting Plate (steel)	197-009	TKMPS-1309	1
DIN Rail TS35-106mm	198-106	TS 35/106	1
DIN Rail TS15-111mm	197-111	TS 15/111	1
Hinge Kit Set	190-002	HK1	1
Mounting Tab Kit	194-001	MT1	1

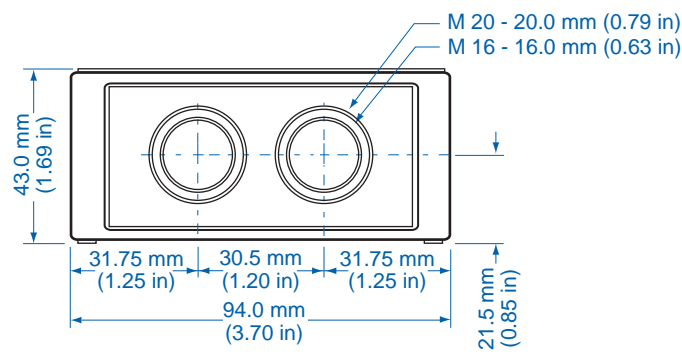
Please refer to pages 149-152 for additional accessories and detailed information.

Dimensions

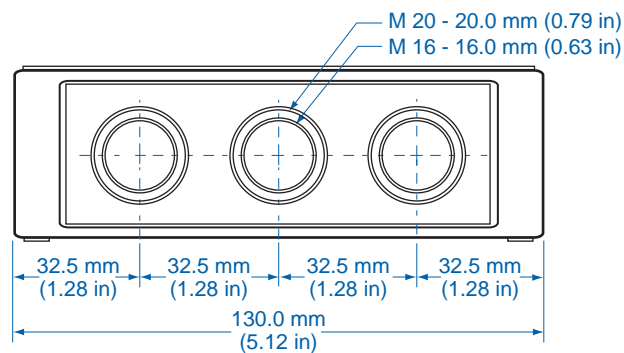


Knockout Positions

Side A



Side B



# TK 1313 – Polystyrene and Polycarbonate – 130 x 130 mm (5.12 x 5.12 in.)

## Standard Features

- **Protection Level:** IP66 (NEMA Type: 4X with gray cover, 12K with transparent cover)
- **Technical:** Smooth or Knockout Sidewalls  
Gray or Tinted Transparent Cover  
Multiple Enclosure Mounting Options
- **UL Recognized**  
**Enclosure Materials:** Polystyrene or Polycarbonate
- **Gasket Material:** Polyurethane
- **Color:** Light Gray
- **Material**  
**Temperature Range:** Polystyrene  
-40°C to 70°C (-40°F to 158°F)  
Polycarbonate  
-40°C to 120°C (-40°F to 248°F)
- **Accessories:** See section below



### Smooth Sidewalls

Ordering Information	Height mm (in)	Polystyrene				Polycarbonate			
		Cat. No.	Type	Cover Color	Std. Pk.	Cat. No.	Type	Cover Color	Std. Pk.
☐ Enclosure - low cover	75 mm (2.95 in)	110-405	PS 1313-7-o	gray	2	120-405	PC 1313-7-o	gray	2
☐ Enclosure - high cover	99 mm (3.90 in)	110-905	PS 1313-10-o	gray	2	120-905	PC 1313-10-o	gray	2
☐ Enclosure - low cover	75 mm (2.95 in)	111-005	PS 1313-7-to	trans.	2	130-005	PC 1313-7-to	trans.	2
☐ Enclosure - high cover	99 mm (3.90 in)	111-505	PS 1313-10-to	trans.	2	130-505	PC 1313-10-to	trans.	2

### Sidewalls with Metric Knockouts

Ordering Information	Height mm (in)	Polystyrene				Polycarbonate			
		Cat. No.	Type	Cover Color	Std. Pk.	Cat. No.	Type	Cover Color	Std. Pk.
☐ Enclosure - low cover	75 mm (2.95 in)	105-405	PS 1313-7-m	gray	2	127-405	PC 1313-7-m	gray	2
☐ Enclosure - high cover	99 mm (3.90 in)	105-905	PS 1313-10-m	gray	2	127-905	PC 1313-10-m	gray	2
☐ Enclosure - low cover	75 mm (2.95 in)	106-005	PS 1313-7-tm	trans.	2	137-005	PC 1313-7-tm	trans.	2
☐ Enclosure - high cover	99 mm (3.90 in)	106-505	PS 1313-10-tm	trans.	2	137-505	PC 1313-10-tm	trans.	2

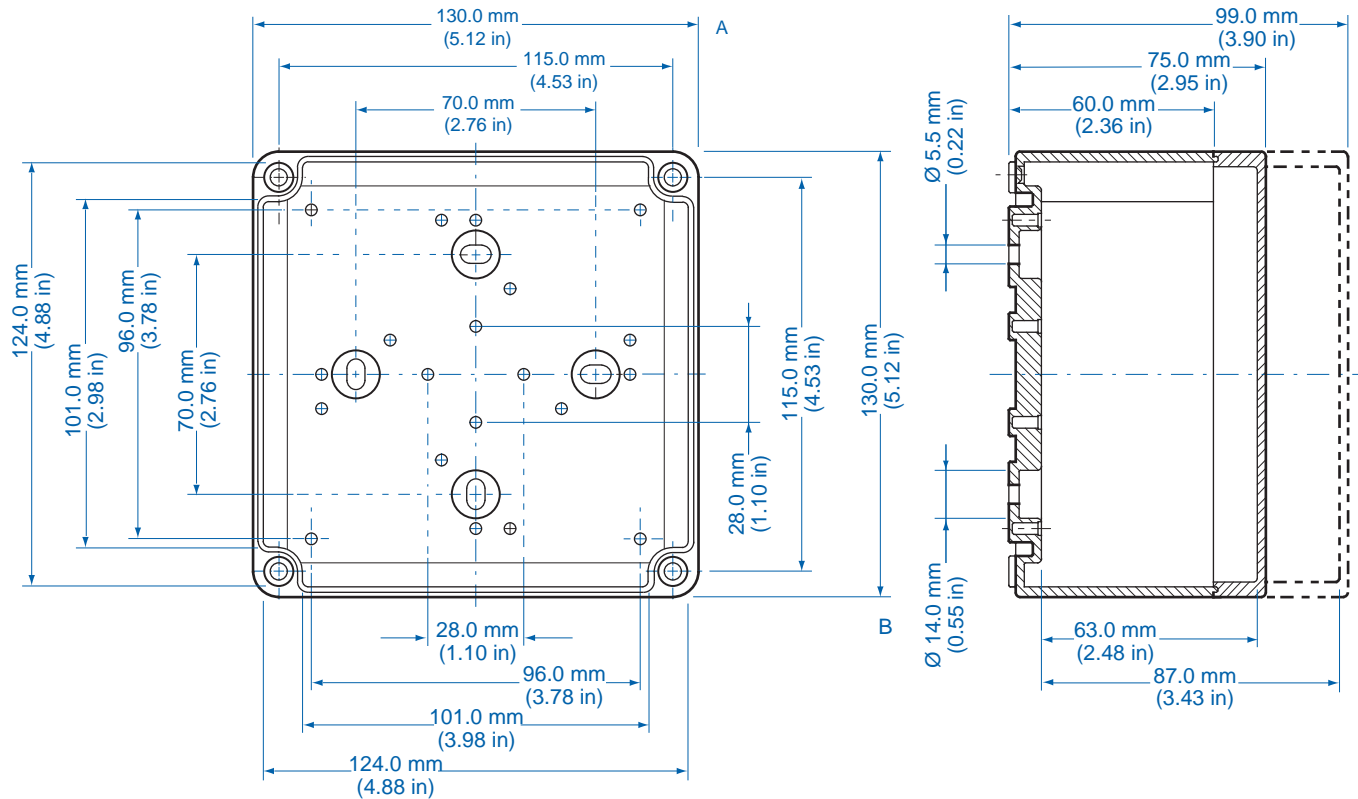
### Accessories

Ordering Information	Cat. No.	Type	Std. Pk.
Mounting Plate (plastic)	195-005	TKMPI-1313	1
Mounting Plate (steel)	197-005	TKMPS-1313	1
DIN Rail TS35-106mm	198-106	TS 35/106	1
DIN Rail TS15-111mm	197-111	TS 15/111	1
Hinge Kit Set	190-002	HK1	1
Mounting Tab Kit	194-001	MT1	1

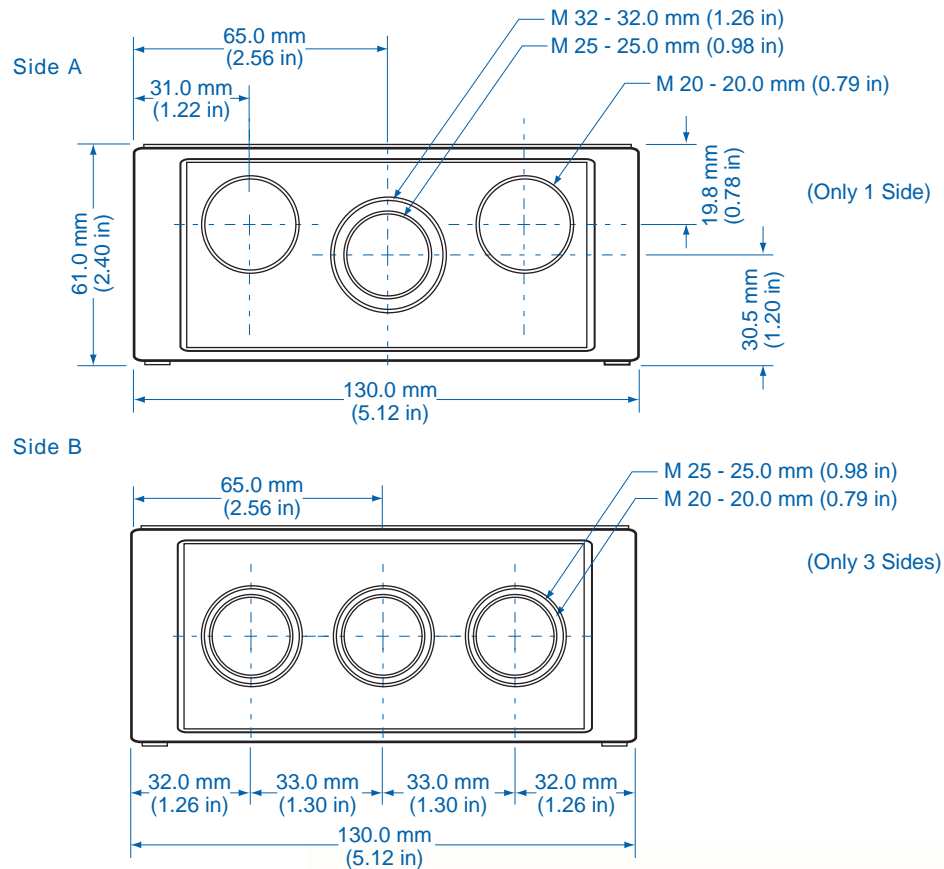
Please refer to pages 149-152 for additional accessories and detailed information.



Dimensions



Knockout Positions



# TK 1809 – Polystyrene and Polycarbonate – 180 x 94 mm (7.09 x 3.70 in.)

## Standard Features

- **Protection Level:** IP66 (NEMA Type: 4X with gray cover, 12K with transparent cover)
- **Technical:** Smooth or Knockout Sidewalls  
Gray or Tinted Transparent Cover  
Multiple Enclosure Mounting Options
- **UL Recognized**  
**Enclosure Materials:** Polystyrene or Polycarbonate
- **Gasket Material:** Polyurethane
- **Color:** Light Gray
- **Material**  
**Temperature Range:** Polystyrene  
-40°C to 70°C (-40°F to 158°F)  
Polycarbonate  
-40°C to 120°C (-40°F to 248°F)
- **Accessories:** See section below



### Smooth Sidewalls

Ordering Information	Height mm (in)	Polystyrene				Polycarbonate			
		Cat. No.	Type	Cover Color	Std. Pk.	Cat. No.	Type	Cover Color	Std. Pk.
☐ Enclosure - low cover	57 mm (2.24 in)	110-410	PS 1809-6-o	gray	2	120-410	PC 1809-6-o	gray	2
☐ Enclosure - high cover	81 mm (3.19 in)	110-910	PS 1809-8-o	gray	2	120-910	PC 1809-8-o	gray	2
☐ Enclosure - low cover	57 mm (2.24 in)	111-010	PS 1809-6-to	trans.	2	130-010	PC 1809-6-to	trans.	2
☐ Enclosure - high cover	81 mm (3.19 in)	111-510	PS 1809-8-to	trans.	2	130-510	PC 1809-8-to	trans.	2

### Sidewalls with Metric Knockouts

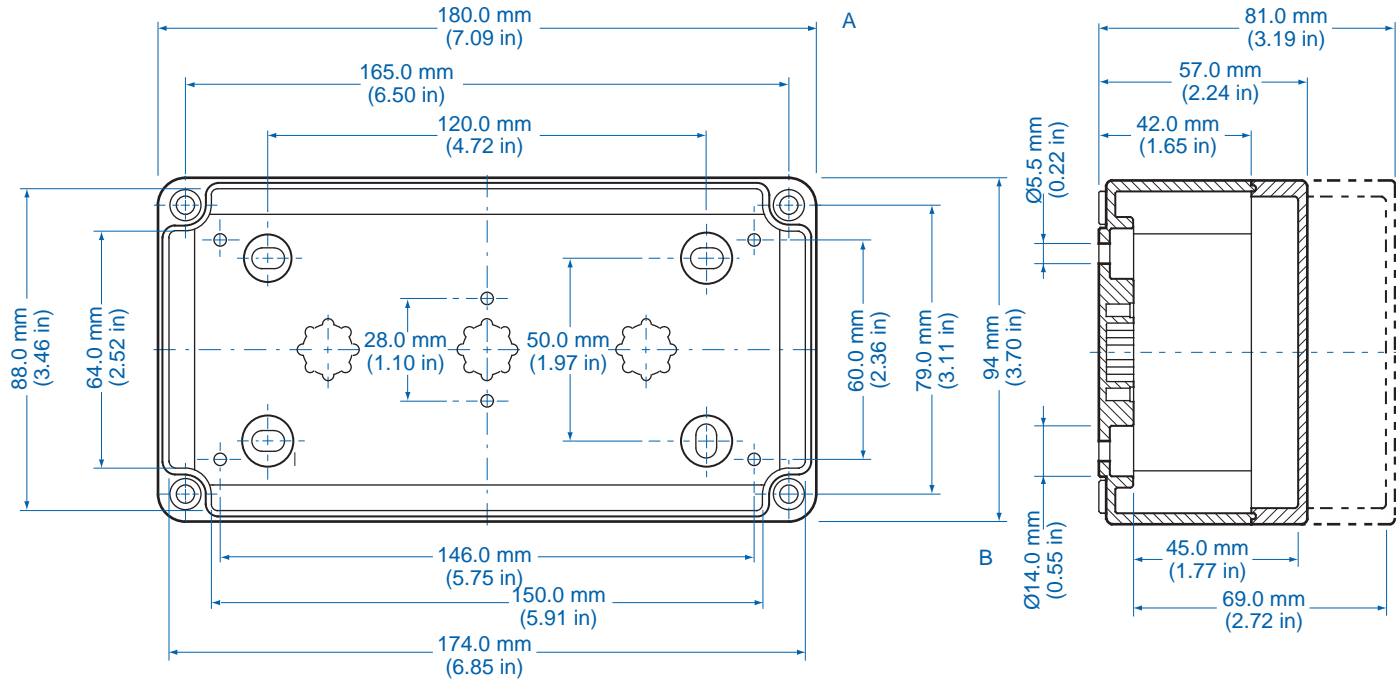
Ordering Information	Height mm (in)	Polystyrene				Polycarbonate			
		Cat. No.	Type	Cover Color	Std. Pk.	Cat. No.	Type	Cover Color	Std. Pk.
☐ Enclosure - low cover	57 mm (2.24 in)	105-410	PS 1809-6-m	gray	2	127-410	PC 1809-6-m	gray	2
☐ Enclosure - high cover	81 mm (3.19 in)	105-910	PS 1809-8-m	gray	2	127-910	PC 1809-8-m	gray	2
☐ Enclosure - low cover	57 mm (2.24 in)	106-010	PS 1809-6-tm	trans.	2	137-010	PC 1809-6-tm	trans.	2
☐ Enclosure - high cover	81 mm (3.19 in)	106-510	PS 1809-8-tm	trans.	2	137-510	PC 1809-8-tm	trans.	2

### Accessories

Ordering Information	Cat. No.	Type	Std. Pk.
Mounting Plate (plastic)	195-010	TKMPI-1809	1
Mounting Plate (steel)	197-010	TKMPS-1809	1
DIN Rail TS35-144mm	198-144	TS 35/144	1
DIN Rail TS15-154mm	197-154	TS 15/154	1
Hinge Kit Set	190-002	HK1	1
Mounting Tab Kit	194-001	MT1	1

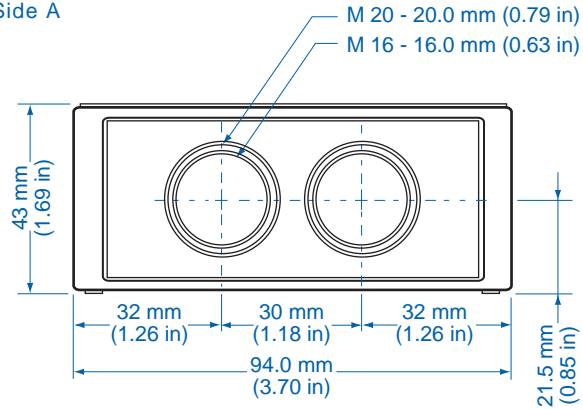
Please refer to pages 149-152 for additional accessories and detailed information.

Dimensions

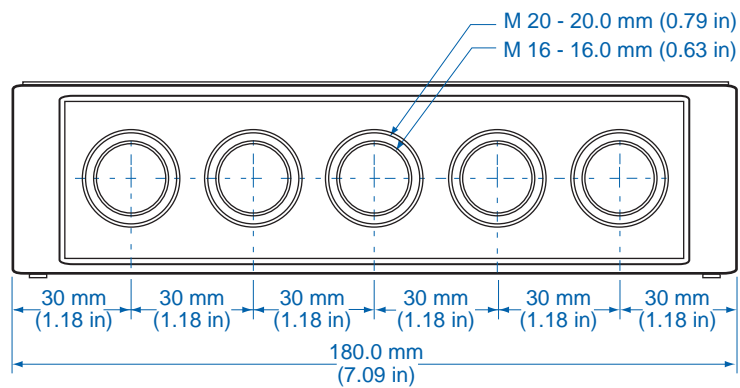


Knockout Positions

Side A



Side B



# TK 1811f – Polystyrene and Polycarbonate – 180 x 110 mm (7.09 x 4.33 in.)

## Standard Features

- **Protection Level:** IP66 (NEMA Type: 4X with gray cover, 12K with transparent cover)
- **Technical:** Smooth or Knockout Sidewalls  
Gray or Tinted Transparent Cover  
Multiple Enclosure Mounting Options
- **UL Recognized**  
**Enclosure Materials:** Polystyrene or Polycarbonate
- **Gasket Material:** Polyurethane
- **Color:** Light Gray
- **Material**  
**Temperature Range:** Polystyrene  
-40°C to 70°C (-40°F to 158°F)  
Polycarbonate  
-40°C to 120°C (-40°F to 248°F)
- **Accessories:** See section below



### Smooth Sidewalls

Ordering Information	Height mm (in)	Polystyrene				Polycarbonate			
		Cat. No.	Type	Cover Color	Std. Pk.	Cat. No.	Type	Cover Color	Std. Pk.
<input type="checkbox"/> Enclosure - low cover	63 mm (2.48 in)	110-414	PS 1811-6f-o	gray	2	120-414	PC 1811-6f-o	gray	2
<input type="checkbox"/> Enclosure - high cover	84 mm (3.31 in)	110-914	PS 1811-8f-o	gray	2	120-914	PC 1811-8f-o	gray	2
<input type="checkbox"/> Enclosure - top hat cover	137 mm (5.39 in)	109-414	PS 1811-13f-o	gray	2	121-414	PC 1811-13f-o	gray	2
<input type="checkbox"/> Enclosure - low cover	63 mm (2.48 in)	111-014	PS 1811-6f-to	trans.	2	130-014	PC 1811-6f-to	trans.	2
<input type="checkbox"/> Enclosure - high cover	84 mm (3.31 in)	111-514	PS 1811-8f-to	trans.	2	130-514	PC 1811-8f-to	trans.	2
<input type="checkbox"/> Enclosure - top hat cover	137 mm (5.39 in)	112-014	PS 1811-13f-to	trans.	2	131-014	PC 1811-13f-to	trans.	2

### Sidewalls with Metric Knockouts

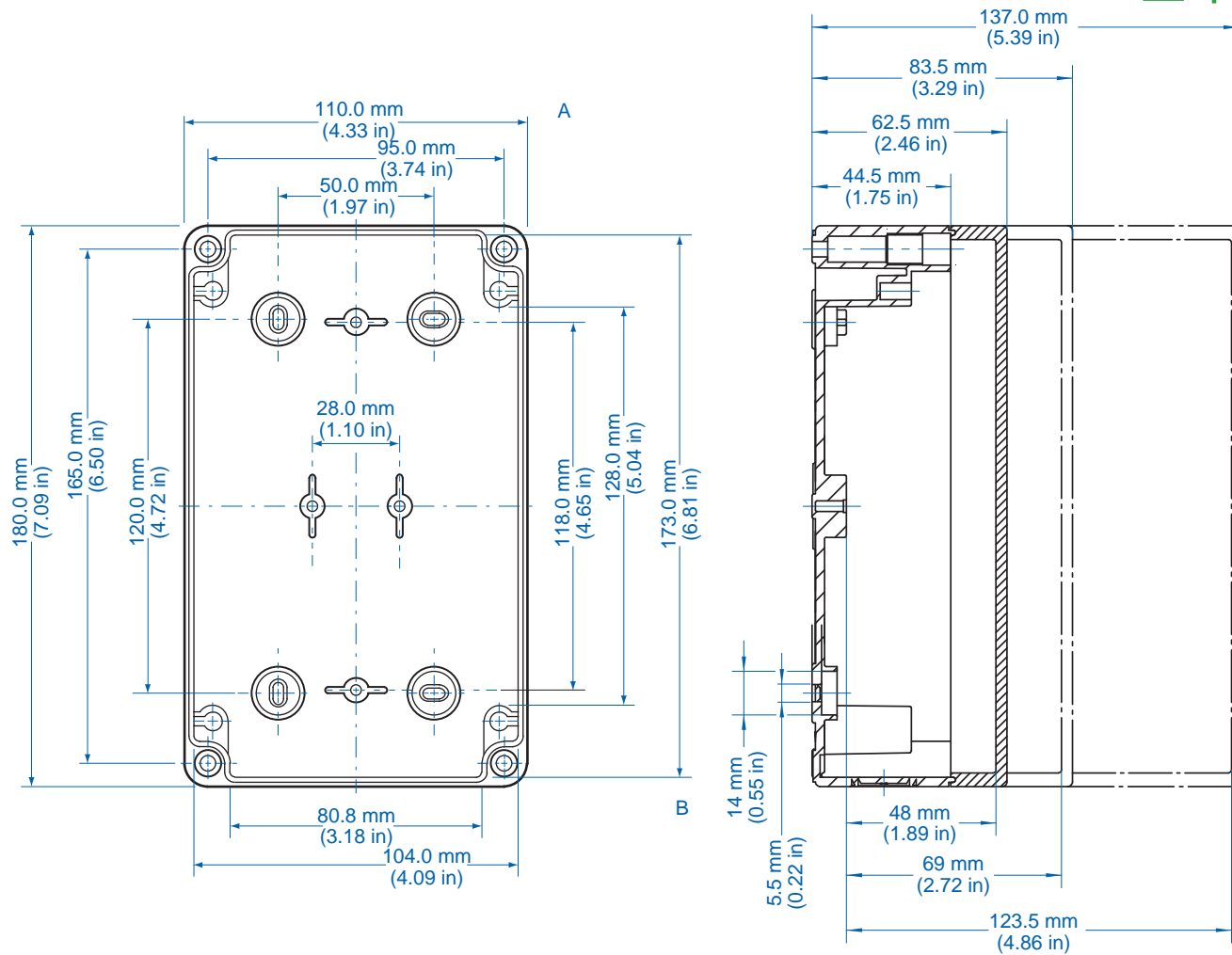
Ordering Information	Height mm (in)	Polystyrene				Polycarbonate			
		Cat. No.	Type	Cover Color	Std. Pk.	Cat. No.	Type	Cover Color	Std. Pk.
<input type="checkbox"/> Enclosure - low cover	63 mm (2.48 in)	105-414	PS 1811-6f-m	gray	2	127-414	PC 1811-6f-m	gray	2
<input type="checkbox"/> Enclosure - high cover	84 mm (3.31 in)	105-914	PS 1811-8f-m	gray	2	127-914	PC 1811-8f-m	gray	2
<input type="checkbox"/> Enclosure - top hat cover	137 mm (5.39 in)	104-414	PS 1811-13f-m	gray	2	128-414	PC 1811-13f-m	gray	2
<input type="checkbox"/> Enclosure - low cover	63 mm (2.48 in)	106-014	PS 1811-6f-tm	trans.	2	137-014	PC 1811-6f-tm	trans.	2
<input type="checkbox"/> Enclosure - high cover	84 mm (3.31 in)	106-514	PS 1811-8f-tm	trans.	2	137-514	PC 1811-8f-tm	trans.	2
<input type="checkbox"/> Enclosure - top hat cover	137 mm (5.39 in)	107-014	PS 1811-13f-tm	trans.	2	138-014	PC 1811-13f-tm	trans.	2

### Accessories

Ordering Information	Cat. No.	Type	Std. Pk.
Mounting Plate (plastic)	195-006	TKMPI-1811	1
Mounting Plate (steel)	197-006	TKMPS-1811	1
DIN Rail TS35-144mm	198-144	TS 35/144	1
Hinge Kit Set	190-005	HK2	1
Mounting Tab Kit	194-001	MT1	1

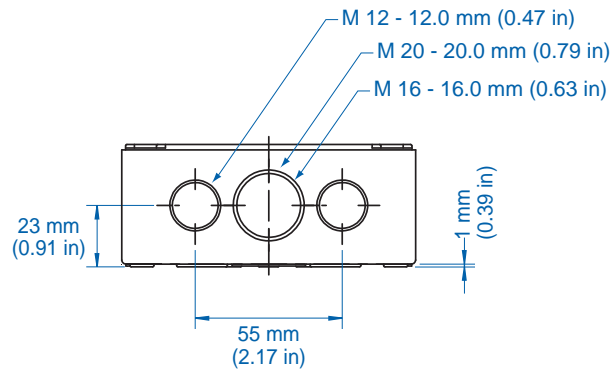
Please refer to pages 149-152 for additional accessories and detailed information.

Dimensions

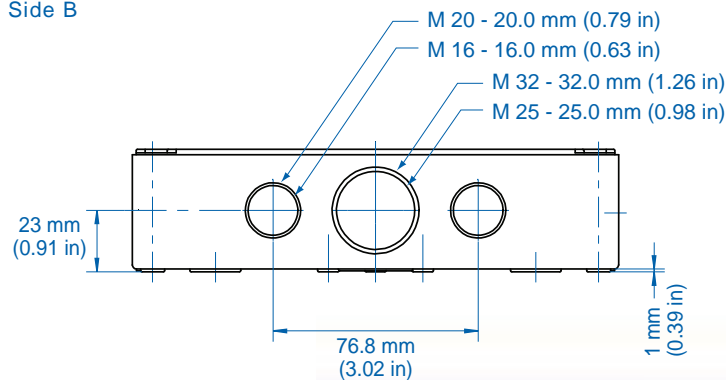


Knockout Positions

Side A



Side B



# TK 1811 – Polystyrene and Polycarbonate – 180 x 110 mm (7.09 x 4.33 in.)

## Standard Features

- **Protection Level:** IP66 (NEMA Type: 4X with gray cover, 12K with transparent cover)
- **Technical:** Smooth or Knockout Sidewalls  
Gray or Tinted Transparent Cover  
Multiple Enclosure Mounting Options
- **UL Recognized**  
**Enclosure Materials:** Polystyrene or Polycarbonate
- **Gasket Material:** Polyurethane
- **Color:** Light Gray
- **Material**  
**Temperature Range:** Polystyrene  
-40°C to 70°C (-40°F to 158°F)  
Polycarbonate  
-40°C to 120°C (-40°F to 248°F)
- **Accessories:** See section below



### Smooth Sidewalls

Ordering Information	Height mm (in)	Polystyrene				Polycarbonate			
		Cat. No.	Type	Cover Color	Std. Pk.	Cat. No.	Type	Cover Color	Std. Pk.
☐ Enclosure - low cover	90 mm (3.54 in)	110-406	PS 1811-9-o	gray	2	120-406	PC 1811-9-o	gray	2
☐ Enclosure - high cover	111 mm (4.37 in)	110-906	PS 1811-11-o	gray	2	120-906	PC 1811-11-o	gray	2
☐ Enclosure - top hat cover	165 mm (6.50 in)	109-406	PS 1811-16-o	gray	2	121-406	PC 1811-16-o	gray	2
☐ Enclosure - low cover	90 mm (3.54 in)	111-006	PS 1811-9-to	trans.	2	130-006	PC 1811-9-to	trans.	2
☐ Enclosure - high cover	111 mm (4.37 in)	111-506	PS 1811-11-to	trans.	2	130-506	PC 1811-11-to	trans.	2
☐ Enclosure - top hat cover	165 mm (6.50 in)	112-006	PS 1811-16-to	trans.	2	131-006	PC 1811-16-to	trans.	2

### Sidewalls with Metric Knockouts

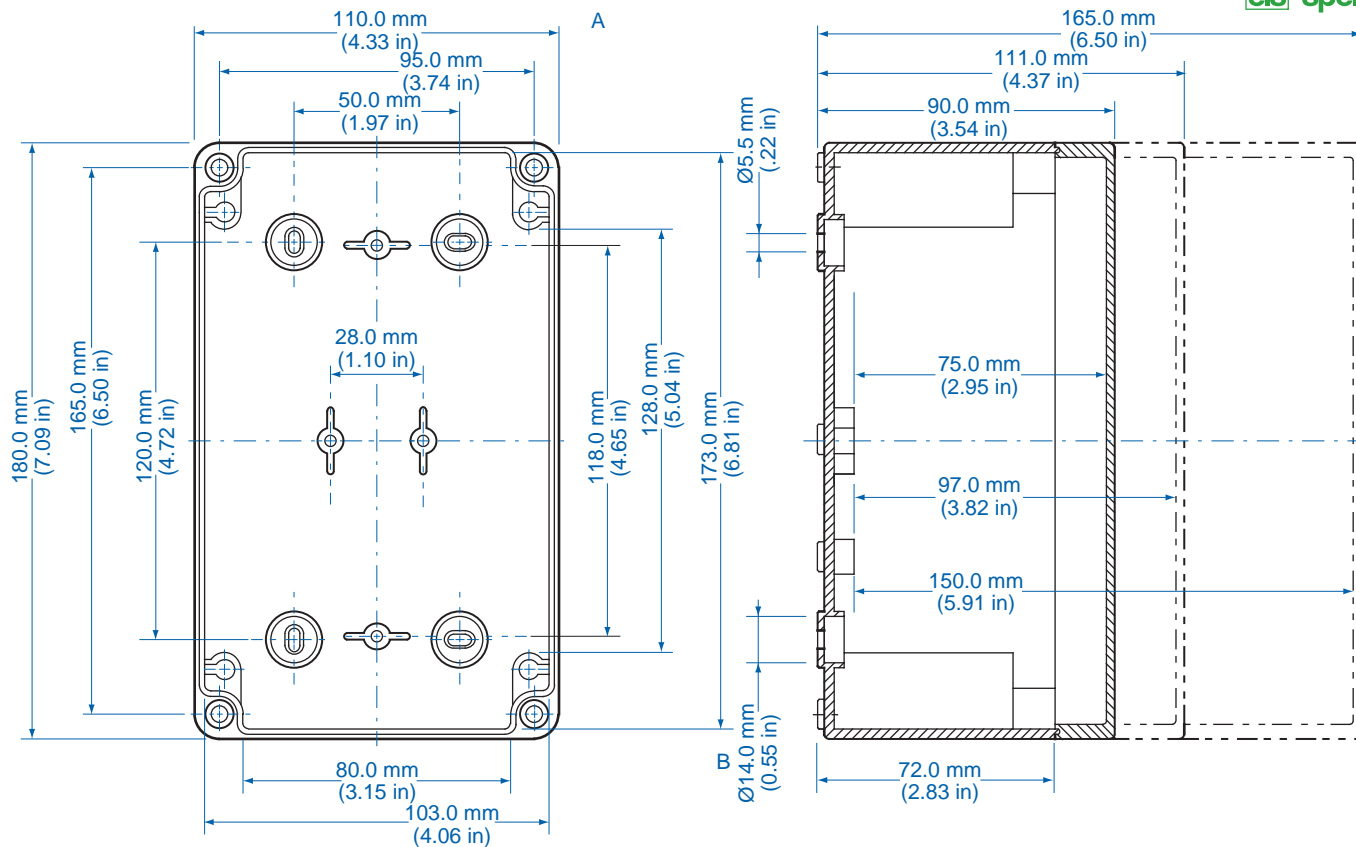
Ordering Information	Height mm (in)	Polystyrene				Polycarbonate			
		Cat. No.	Type	Cover Color	Std. Pk.	Cat. No.	Type	Cover Color	Std. Pk.
☐ Enclosure - low cover	90 mm (3.54 in)	105-406	PS 1811-9-m	gray	2	127-406	PC 1811-9-m	gray	2
☐ Enclosure - high cover	111 mm (4.37 in)	105-906	PS 1811-11-m	gray	2	127-906	PC 1811-11-m	gray	2
☐ Enclosure - top hat cover	165 mm (6.50 in)	104-406	PS 1811-16-m	gray	2	128-406	PC 1811-16-m	gray	2
☐ Enclosure - low cover	90 mm (3.54 in)	106-006	PS 1811-9-tm	trans.	2	137-006	PC 1811-9-tm	trans.	2
☐ Enclosure - high cover	111 mm (4.37 in)	106-506	PS 1811-11-tm	trans.	2	137-506	PC 1811-11-tm	trans.	2
☐ Enclosure - top hat cover	165 mm (6.50 in)	107-006	PS 1811-16-tm	trans.	2	138-006	PC 1811-16-tm	trans.	2

### Accessories

Ordering Information	Cat. No.	Type	Std. Pk.
Mounting Plate (plastic)	195-006	TKMPI-1811	1
Mounting Plate (steel)	197-006	TKMPS-1811	1
DIN Rail TS35-144mm	198-144	TS 35/144	1
Hinge Kit Set	190-005	HK2	1
Mounting Tab Kit	194-001	MT1	1

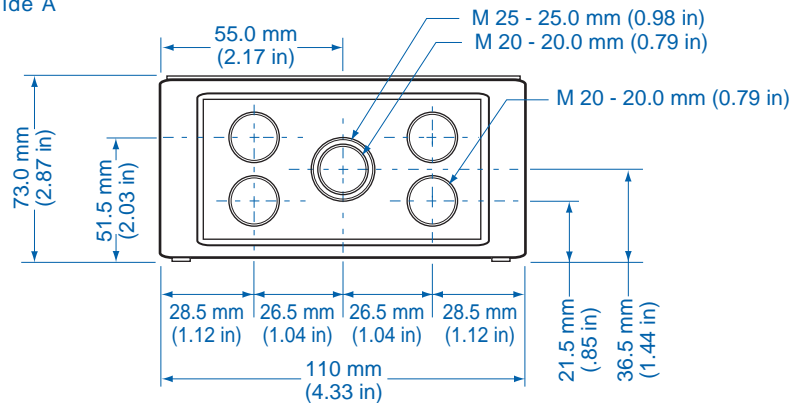
Please refer to pages 149-152 for additional accessories and detailed information.

Dimensions

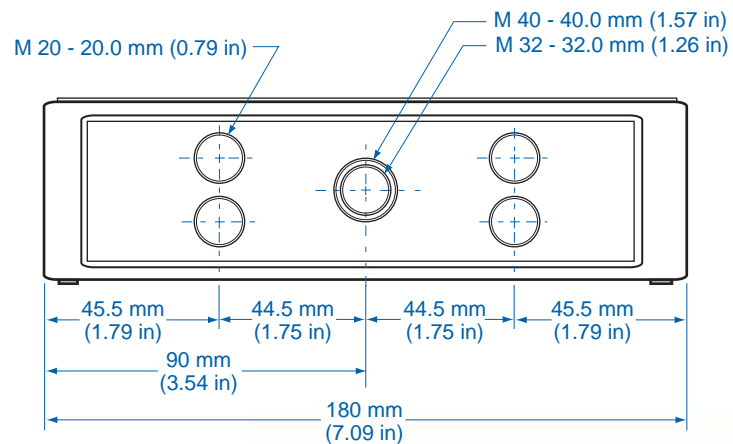


Knockout Positions

Side A



Side B





**Standard Features**

- **Protection Level:** IP66 (NEMA Type: 4X with gray cover, 12K with transparent cover)
- **Technical:** Smooth or Knockout Sidewalls  
Gray or Tinted Transparent Cover  
Multiple Enclosure Mounting Options
- **UL Recognized**  
**Enclosure Materials:** Polystyrene or Polycarbonate
- **Gasket Material:** Polyurethane
- **Color:** Light Gray
- **Material**  
**Temperature Range:** Polystyrene  
-40°C to 70°C (-40°F to 158°F)  
Polycarbonate  
-40°C to 120°C (-40°F to 248°F)
- **Accessories:** See section below



**Smooth Sidewalls**

Ordering Information	Height mm (in)	Polystyrene				Polycarbonate			
		Cat. No.	Type	Cover Color	Std. Pk.	Cat. No.	Type	Cover Color	Std. Pk.
☐ Enclosure - low cover	63 mm (2.48 in)	110-415	PS 1813-6f-o	gray	2	120-415	PC 1813-6f-o	gray	2
☐ Enclosure - high cover	84 mm (3.31 in)	110-915	PS 1813-8f-o	gray	2	120-915	PC 1813-8f-o	gray	2
☐ Enclosure - top hat cover	137 mm (5.39 in)	109-415	PS 1813-13f-o	gray	1	121-415	PC 1813-13f-o	gray	1
☐ Enclosure - low cover	63 mm (2.48 in)	111-015	PS 1813-6f-to	trans.	2	130-015	PC 1813-6f-to	trans.	2
☐ Enclosure - high cover	84 mm (3.31 in)	111-515	PS 1813-8f-to	trans.	2	130-515	PC 1813-8f-to	trans.	2
☐ Enclosure - top hat cover	137 mm (5.39 in)	112-015	PS 1813-13f-to	trans.	1	131-015	PC 1813-13f-to	trans.	1

**Sidewalls with Metric Knockouts**

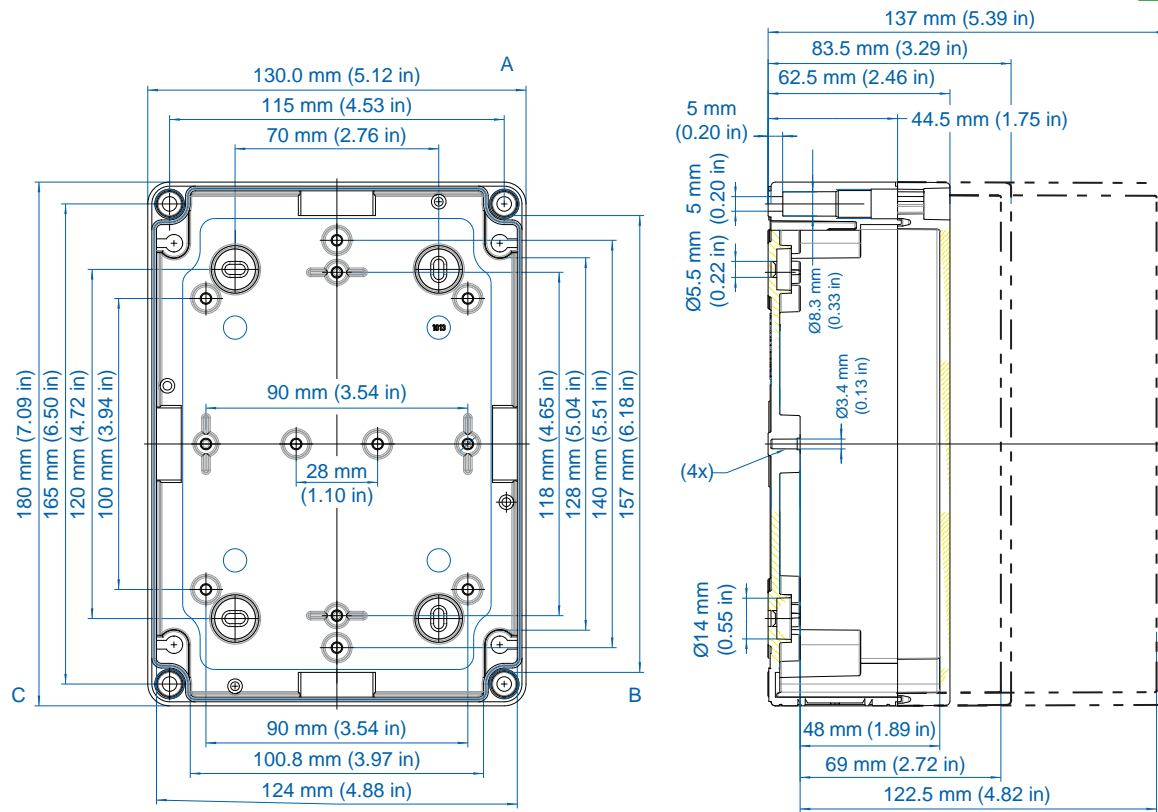
Ordering Information	Height mm (in)	Polystyrene				Polycarbonate			
		Cat. No.	Type	Cover Color	Std. Pk.	Cat. No.	Type	Cover Color	Std. Pk.
☐ Enclosure - low cover	63 mm (2.48 in)	105-415	PS 1813-6f-m	gray	2	127-415	PC 1813-6f-m	gray	2
☐ Enclosure - high cover	84 mm (3.31 in)	105-915	PS 1813-8f-m	gray	2	127-915	PC 1813-8f-m	gray	2
☐ Enclosure - top hat cover	137 mm (5.39 in)	104-415	PS 1813-13f-m	gray	1	128-415	PC 1813-13f-m	gray	1
☐ Enclosure - low cover	63 mm (2.48 in)	106-015	PS 1813-6f-tm	trans.	2	137-015	PC 1813-6f-tm	trans.	2
☐ Enclosure - high cover	84 mm (3.31 in)	106-515	PS 1813-8f-tm	trans.	2	137-515	PC 1813-8f-tm	trans.	2
☐ Enclosure - top hat cover	137 mm (5.39 in)	107-015	PS 1813-13f-tm	trans.	1	138-015	PC 1813-13f-tm	trans.	1

**Accessories**

Ordering Information	Cat. No.	Type	Std. Pk.
Mounting Plate (plastic)	195-011	TKMPI-1813	1
Mounting Plate (steel)	197-011	TKMPS-1813	1
DIN Rail TS35-144mm	198-144	TS 35/144	1
Hinge Kit Set	190-005	HK2	1
Mounting Tab Kit	194-001	MT1	1

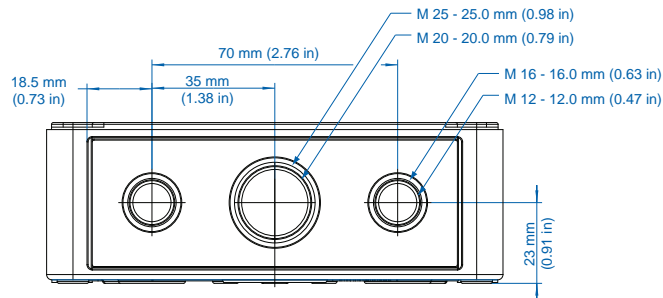
Please refer to pages 149-152 for additional accessories and detailed information.



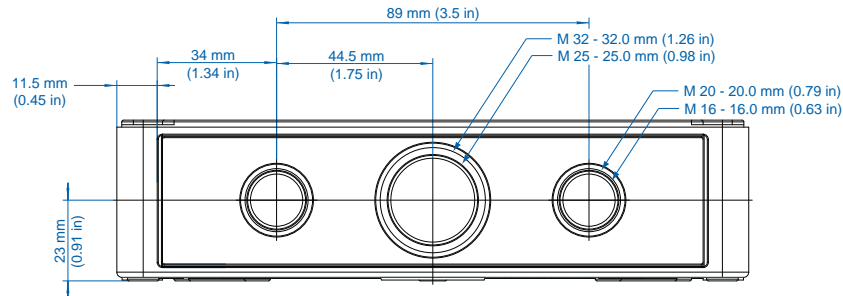


**Knockout Positions**

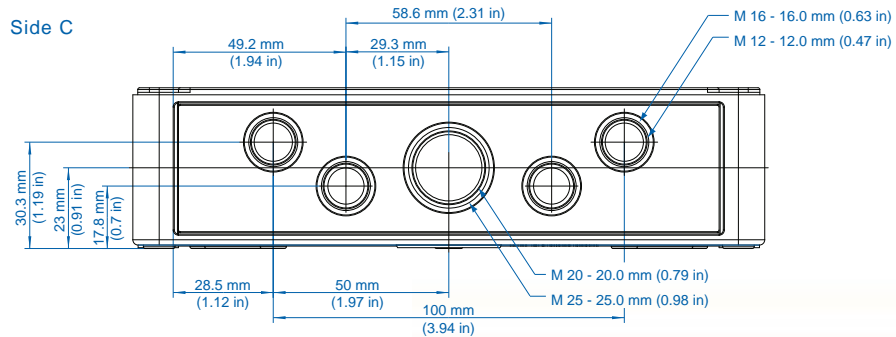
Side A (2x)



Side B



Side C





**Standard Features**

- **Protection Level:** IP66 (NEMA Type: 4X with gray cover, 12K with transparent cover)
- **Technical:** Smooth or Knockout Sidewalls  
Gray or Tinted Transparent Cover  
Multiple Enclosure Mounting Options
- **UL Recognized**  
**Enclosure Materials:** Polystyrene or Polycarbonate
- **Gasket Material:** Polyurethane
- **Color:** Light Gray
- **Material**  
**Temperature Range:** Polystyrene  
-40°C to 70°C (-40°F to 158°F)  
Polycarbonate  
-40°C to 120°C (-40°F to 248°F)
- **Accessories:** See section below



**Smooth Sidewalls**

			Polystyrene			Polycarbonate			
Ordering Information	Height mm (in)	Cat. No.	Type	Cover Color	Std. Pk.	Cat. No.	Type	Cover Color	Std. Pk.
☐ Enclosure - low cover	90 mm (3.54 in)	110-416	PS 1813-9-o	gray	2	120-416	PC 1813-9-o	gray	2
☐ Enclosure - high cover	111 mm (4.37 in)	110-916	PS 1813-11-o	gray	2	120-916	PC 1813-11-o	gray	2
☐ Enclosure - top hat cover	165 mm (6.50 in)	109-416	PS 1813-16-o	gray	1	121-416	PC 1813-16-o	gray	1
☐ Enclosure - low cover	90 mm (3.54 in)	111-016	PS 1813-9-to	trans.	2	130-016	PC 1813-9-to	trans.	2
☐ Enclosure - high cover	111 mm (4.37 in)	111-516	PS 1813-11-to	trans.	2	130-516	PC 1813-11-to	trans.	2
☐ Enclosure - top hat cover	165 mm (6.50 in)	112-016	PS 1813-16-to	trans.	1	131-016	PC 1813-16-to	trans.	1

**Sidewalls with Metric Knockouts**

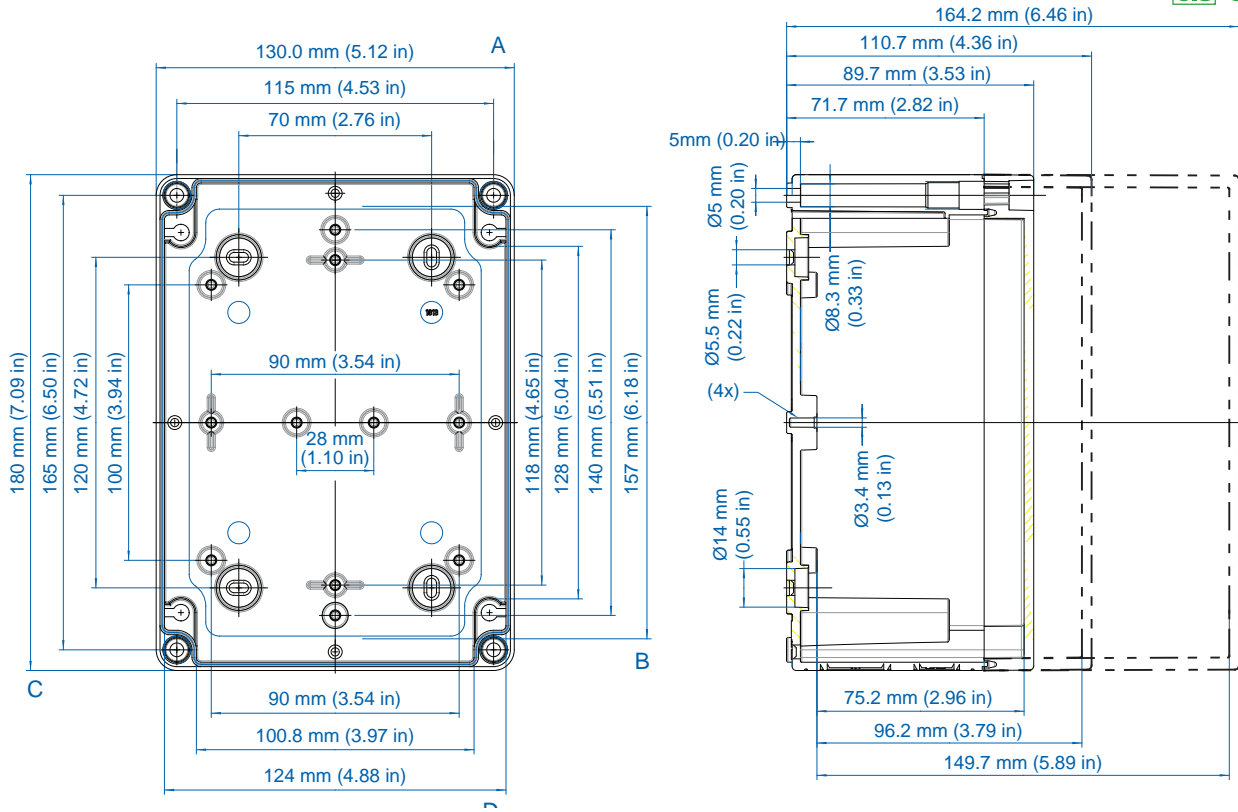
			Polystyrene			Polycarbonate			
Ordering Information	Height mm (in)	Cat. No.	Type	Cover Color	Std. Pk.	Cat. No.	Type	Cover Color	Std. Pk.
☐ Enclosure - low cover	90 mm (3.54 in)	105-416	PS 1813-9-m	gray	2	127-416	PC 1813-9-m	gray	2
☐ Enclosure - high cover	111 mm (4.37 in)	105-916	PS 1813-11-m	gray	2	127-916	PC 1813-11-m	gray	2
☐ Enclosure - top hat cover	165 mm (6.50 in)	104-416	PS 1813-16-m	gray	1	128-416	PC 1813-16-m	gray	1
☐ Enclosure - low cover	90 mm (3.54 in)	106-016	PS 1813-9-tm	trans.	2	137-016	PC 1813-9-tm	trans.	2
☐ Enclosure - high cover	111 mm (4.37 in)	106-516	PS 1813-11-tm	trans.	2	137-516	PC 1813-11-tm	trans.	2
☐ Enclosure - top hat cover	165 mm (6.50 in)	107-016	PS 1813-16-tm	trans.	1	138-016	PC 1813-16-tm	trans.	1

**Accessories**

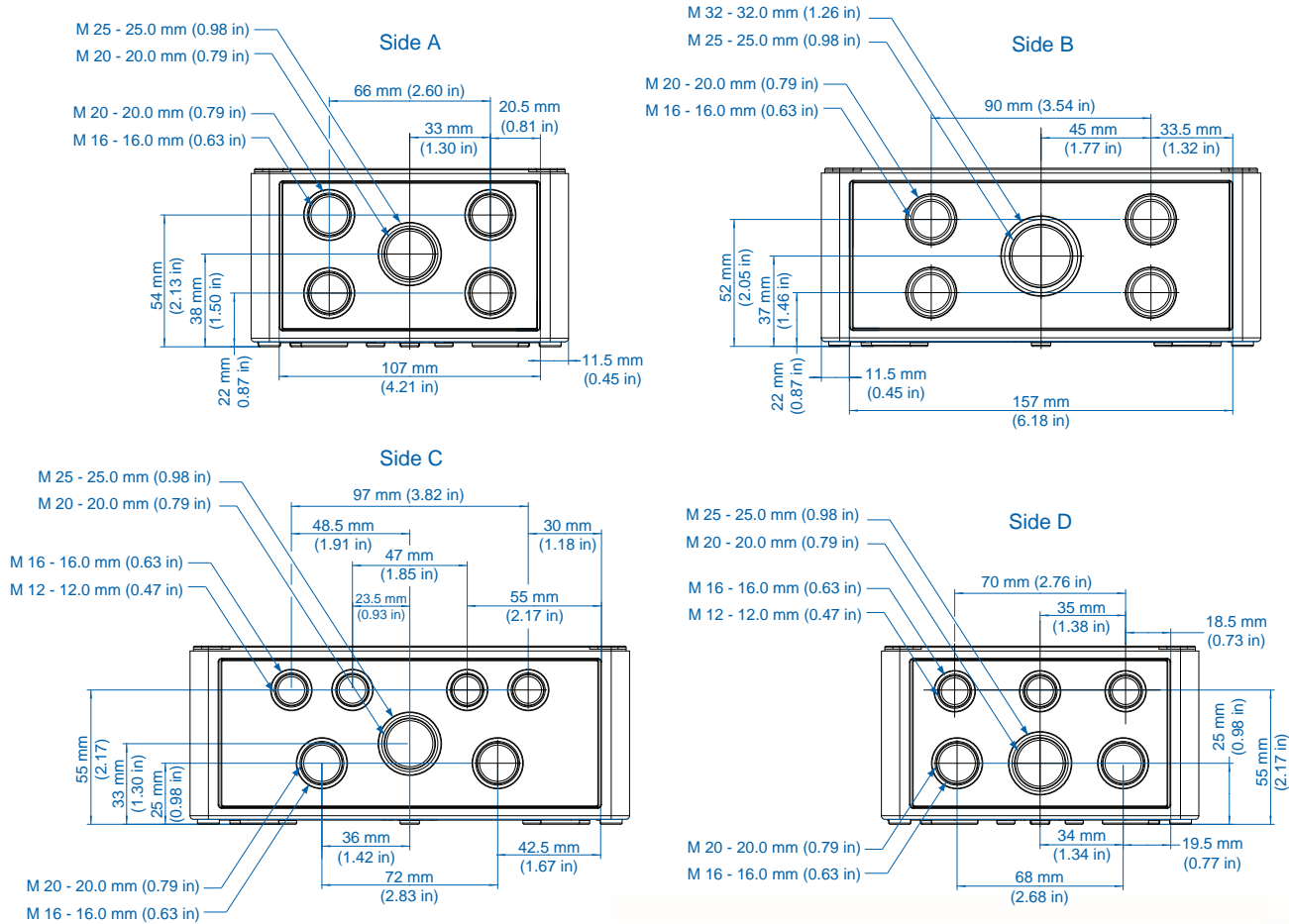
Ordering Information	Cat. No.	Type	Std. Pk.
Mounting Plate (plastic)	195-011	TKMPI-1813	1
Mounting Plate (steel)	197-011	TKMPS-1813	1
DIN Rail TS35-144mm	198-144	TS 35/144	1
Hinge Kit Set	190-005	HK2	1
Mounting Tab Kit	194-001	MT1	1

Please refer to pages 149-152 for additional accessories and detailed information.

**Dimensions**



**Knockout Positions**



# TK 1818f – Polystyrene and Polycarbonate – 182 x 180 mm (7.17 x 7.09 in.)

## Standard Features

- **Protection Level:** IP66 (NEMA Type: 4X with gray cover, 12K with transparent cover)
- **Technical:** Smooth or Knockout Sidewalls  
Gray or Tinted Transparent Cover  
Multiple Enclosure Mounting Options
- **UL Recognized**  
**Enclosure Materials:** Polystyrene or Polycarbonate
- **Gasket Material:** Polyurethane
- **Color:** Light Gray
- **Material**  
**Temperature Range:** Polystyrene  
-40°C to 70°C (-40°F to 158°F)  
Polycarbonate  
-40°C to 120°C (-40°F to 248°F)
- **Accessories:** See section below



### Smooth Sidewalls

Ordering Information	Height mm (in)	Polystyrene				Polycarbonate			
		Cat. No.	Type	Cover Color	Std. Pk.	Cat. No.	Type	Cover Color	Std. Pk.
☐ Enclosure - low cover	63 mm (2.48 in)	110-413	PS 1818-6f-o	gray	2	120-413	PC 1818-6f-o	gray	2
☐ Enclosure - high cover	84 mm (3.31 in)	110-913	PS 1818-8f-o	gray	2	120-913	PC 1818-8f-o	gray	2
☐ Enclosure - top hat cover	137 mm (5.39 in)	109-413	PS 1818-13f-o	gray	1	121-413	PC 1818-13f-o	gray	1
☐ Enclosure - low cover	63 mm (2.48 in)	111-013	PS 1818-6f-to	trans.	2	130-013	PC 1818-6f-to	trans.	2
☐ Enclosure - high cover	84 mm (3.31 in)	111-513	PS 1818-8f-to	trans.	2	130-513	PC 1818-8f-to	trans.	2
☐ Enclosure - top hat cover	137 mm (5.39 in)	112-013	PS 1818-13f-to	trans.	1	131-013	PC 1818-13f-to	trans.	1

### Sidewalls with Metric Knockouts

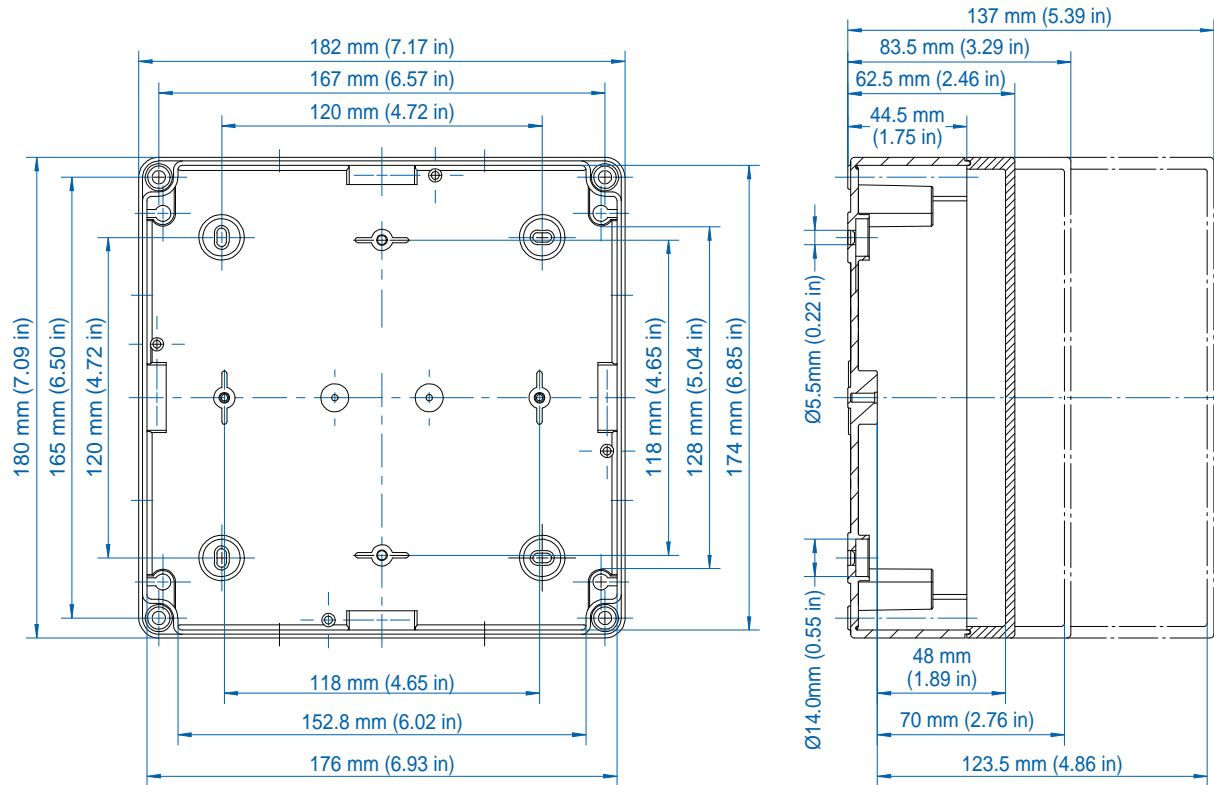
Ordering Information	Height mm (in)	Polystyrene				Polycarbonate			
		Cat. No.	Type	Cover Color	Std. Pk.	Cat. No.	Type	Cover Color	Std. Pk.
☐ Enclosure - low cover	63 mm (2.48 in)	105-413	PS 1818-6f-m	gray	2	127-413	PC 1818-6f-m	gray	2
☐ Enclosure - high cover	84 mm (3.31 in)	105-913	PS 1818-8f-m	gray	2	127-913	PC 1818-8f-m	gray	2
☐ Enclosure - top hat cover	137 mm (5.39 in)	104-413	PS 1818-13f-m	gray	1	128-413	PC 1818-13f-m	gray	1
☐ Enclosure - low cover	63 mm (2.48 in)	106-013	PS 1818-6f-tm	trans.	2	137-013	PC 1818-6f-tm	trans.	2
☐ Enclosure - high cover	84 mm (3.31 in)	106-513	PS 1818-8f-tm	trans.	2	137-513	PC 1818-8f-tm	trans.	2
☐ Enclosure - top hat cover	137 mm (5.39 in)	107-013	PS 1818-13f-tm	trans.	1	138-013	PC 1818-13f-tm	trans.	1

### Accessories

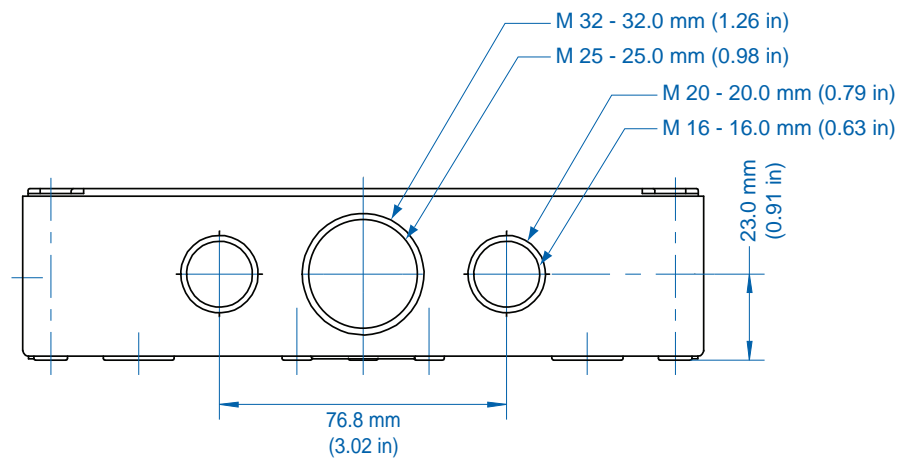
Ordering Information	Cat. No.	Type	Std. Pk.
Mounting Plate (plastic)	195-007	TKMPI-1818	1
Mounting Plate (steel)	197-007	TKMPS-1818	1
DIN Rail TS35-144mm	198-144	TS 35/144	1
Hinge Kit Set	190-005	HK2	1
Mounting Tab Kit	194-001	MT1	1

Please refer to pages 149-152 for additional accessories and detailed information.

Dimensions



Knockout Positions



# TK 1818 – Polystyrene and Polycarbonate – 182 x 180 mm (7.17 x 7.09 in.)

## Standard Features

- **Protection Level:** IP66 (NEMA Type: 4X with gray cover, 12K with transparent cover)
- **Technical:** Smooth or Knockout Sidewalls  
Gray or Tinted Transparent Cover  
Multiple Enclosure Mounting Options
- **UL Recognized**  
**Enclosure Materials:** Polystyrene or Polycarbonate
- **Gasket Material:** Polyurethane
- **Color:** Light Gray
- **Material**  
**Temperature Range:** Polystyrene  
-40°C to 70°C (-40°F to 158°F)  
Polycarbonate  
-40°C to 120°C (-40°F to 248°F)
- **Accessories:** See section below



### Smooth Sidewalls

Ordering Information			Polystyrene				Polycarbonate			
Ordering Information	Height mm (in)	Cat. No.	Type	Cover Color	Std. Pk.	Cat. No.	Type	Cover Color	Std. Pk.	
☐ Enclosure - low cover	90 mm (3.54 in)	110-407	PS 1818-9-o	gray	2	120-407	PC 1818-9-o	gray	2	
☐ Enclosure - high cover	111 mm (4.37 in)	110-907	PS 1818-11-o	gray	2	120-907	PC 1818-11-o	gray	2	
☐ Enclosure - top hat cover	165 mm (6.50 in)	109-407	PS 1818-16-o	gray	1	121-407	PC 1818-16-o	gray	1	
☐ Enclosure - low cover	90 mm (3.54 in)	111-007	PS 1818-9-to	trans.	2	130-007	PC 1818-9-to	trans.	2	
☐ Enclosure - high cover	111 mm (4.37 in)	111-507	PS 1818-11-to	trans.	2	130-507	PC 1818-11-to	trans.	2	
☐ Enclosure - top hat cover	165 mm (6.50 in)	112-007	PS 1818-16-to	trans.	1	131-007	PC 1818-16-to	trans.	1	

### Sidewalls with Metric Knockouts

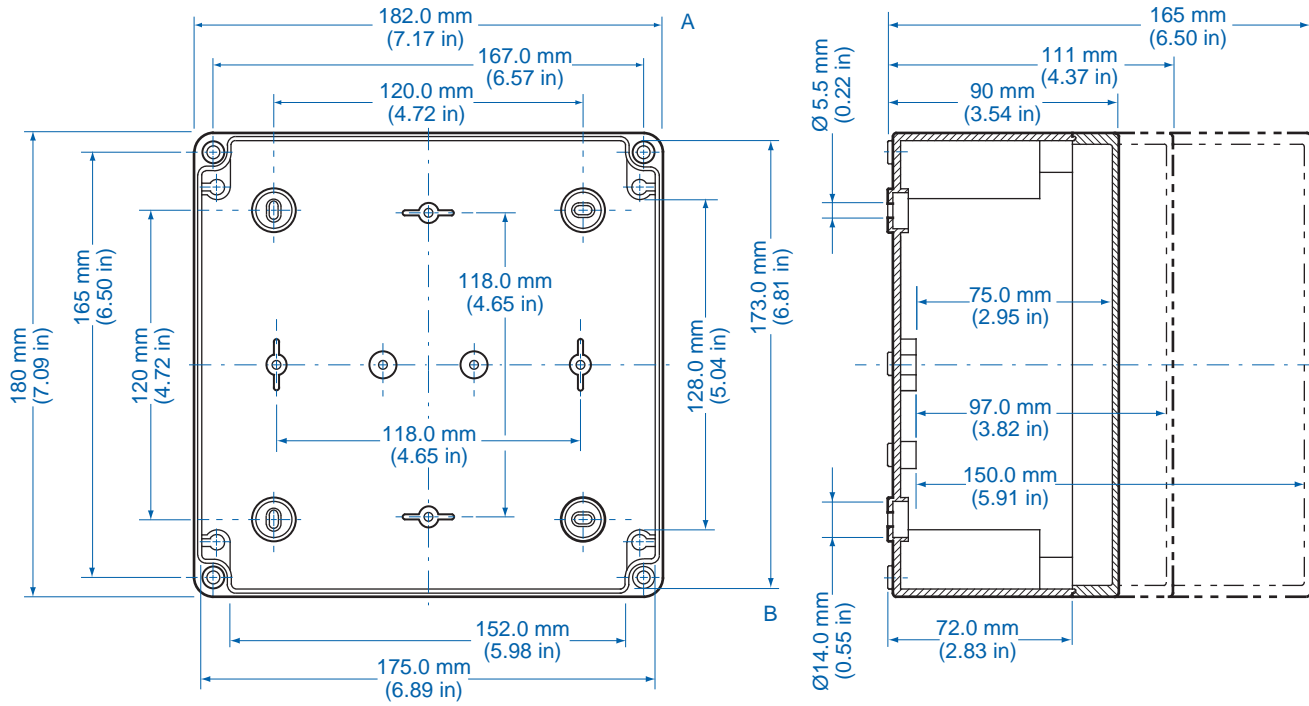
Ordering Information			Polystyrene				Polycarbonate			
Ordering Information	Height mm (in)	Cat. No.	Type	Cover Color	Std. Pk.	Cat. No.	Type	Cover Color	Std. Pk.	
☐ Enclosure - low cover	90 mm (3.54 in)	105-407	PS 1818-9-m	gray	2	127-407	PC 1818-9-m	gray	2	
☐ Enclosure - high cover	111 mm (4.37 in)	105-907	PS 1818-11-m	gray	2	127-907	PC 1818-11-m	gray	2	
☐ Enclosure - top hat cover	165 mm (6.50 in)	104-407	PS 1818-16-m	gray	1	128-407	PC 1818-16-m	gray	1	
☐ Enclosure - low cover	90 mm (3.54 in)	106-007	PS 1818-9-tm	trans.	2	137-007	PC 1818-9-tm	trans.	2	
☐ Enclosure - high cover	111 mm (4.37 in)	106-507	PS 1818-11-tm	trans.	2	137-507	PC 1818-11-tm	trans.	2	
☐ Enclosure - top hat cover	165 mm (6.50 in)	107-007	PS 1818-16-tm	trans.	1	138-007	PC 1818-16-tm	trans.	1	

### Accessories

Ordering Information	Cat. No.	Type	Std. Pk.
Mounting Plate (plastic)	195-007	TKMPI-1818	1
Mounting Plate (steel)	197-007	TKMPS-1818	1
DIN Rail TS35-144mm	198-144	TS 35/144	1
Hinge Kit Set	190-005	HK2	1
Mounting Tab Kit	194-001	MT1	1

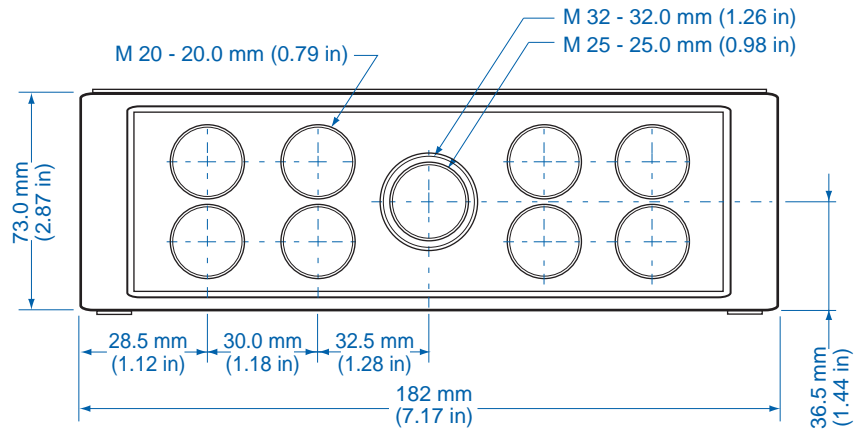
Please refer to pages 149-152 for additional accessories and detailed information.

Dimensions

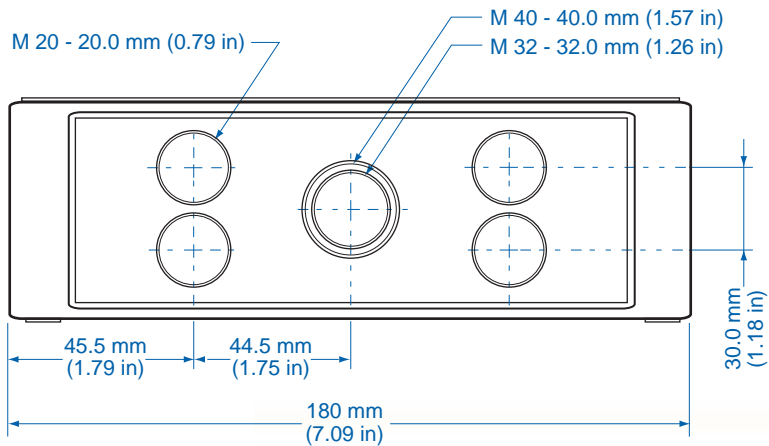


Knockout Positions

Side A



Side B



# TK 2518f – Polystyrene and Polycarbonate – 254 x 180 mm (10.0 x 7.09 in.)

## Standard Features

- **Protection Level:** IP66 (NEMA Type: 4X with gray cover, 12K with transparent cover)
- **Technical:** Smooth or Knockout Sidewalls  
Gray or Tinted Transparent Cover  
Multiple Enclosure Mounting Options
- **UL Recognized**  
**Enclosure Materials:** Polystyrene or Polycarbonate
- **Gasket Material:** Polyurethane
- **Color:** Light Gray
- **Material**  
**Temperature Range:** Polystyrene  
-40°C to 70°C (-40°F to 158°F)  
Polycarbonate  
-40°C to 120°C (-40°F to 248°F)
- **Accessories:** See section below



### Smooth Sidewalls

Ordering Information	Height mm (in)	Polystyrene				Polycarbonate			
		Cat. No.	Type	Cover Color	Std. Pk.	Cat. No.	Type	Cover Color	Std. Pk.
☐ Enclosure - low cover	63 mm (2.48 in)	110-411	PS 2518-6f-o	gray	1	120-411	PC 2518-6f-o	gray	1
☐ Enclosure - high cover	84 mm (3.31 in)	110-911	PS 2518-8f-o	gray	1	120-911	PC 2518-8f-o	gray	1
☐ Enclosure - top hat cover	137 mm (5.39 in)	109-411	PS 2518-14f-o	gray	1	121-411	PC 2518-14f-o	gray	1
☐ Enclosure - low cover	63 mm (2.48 in)	111-011	PS 2518-6f-to	trans.	1	130-011	PC 2518-6f-to	trans.	1
☐ Enclosure - high cover	84 mm (3.31 in)	111-511	PS 2518-8f-to	trans.	1	130-511	PC 2518-8f-to	trans.	1
☐ Enclosure - top hat cover	137 mm (5.39 in)	112-011	PS 2518-14f-to	trans.	1	131-011	PC 2518-14f-to	trans.	1

### Sidewalls with Metric Knockouts

Ordering Information	Height mm (in)	Polystyrene				Polycarbonate			
		Cat. No.	Type	Cover Color	Std. Pk.	Cat. No.	Type	Cover Color	Std. Pk.
☐ Enclosure - low cover	63 mm (2.48 in)	105-411	PS 2518-6f-m	gray	1	127-411	PC 2518-6f-m	gray	1
☐ Enclosure - high cover	84 mm (3.31 in)	105-911	PS 2518-8f-m	gray	1	127-911	PC 2518-8f-m	gray	1
☐ Enclosure - top hat cover	137 mm (5.39 in)	104-411	PS 2518-14f-m	gray	1	128-411	PC 2518-14f-m	gray	1
☐ Enclosure - low cover	63 mm (2.48 in)	106-011	PS 2518-6f-tm	trans.	1	137-011	PC 2518-6f-tm	trans.	1
☐ Enclosure - high cover	84 mm (3.31 in)	106-511	PS 2518-8f-tm	trans.	1	137-511	PC 2518-8f-tm	trans.	1
☐ Enclosure - top hat cover	137 mm (5.39 in)	107-011	PS 2518-14f-tm	trans.	1	138-011	PC 2518-14f-tm	trans.	1

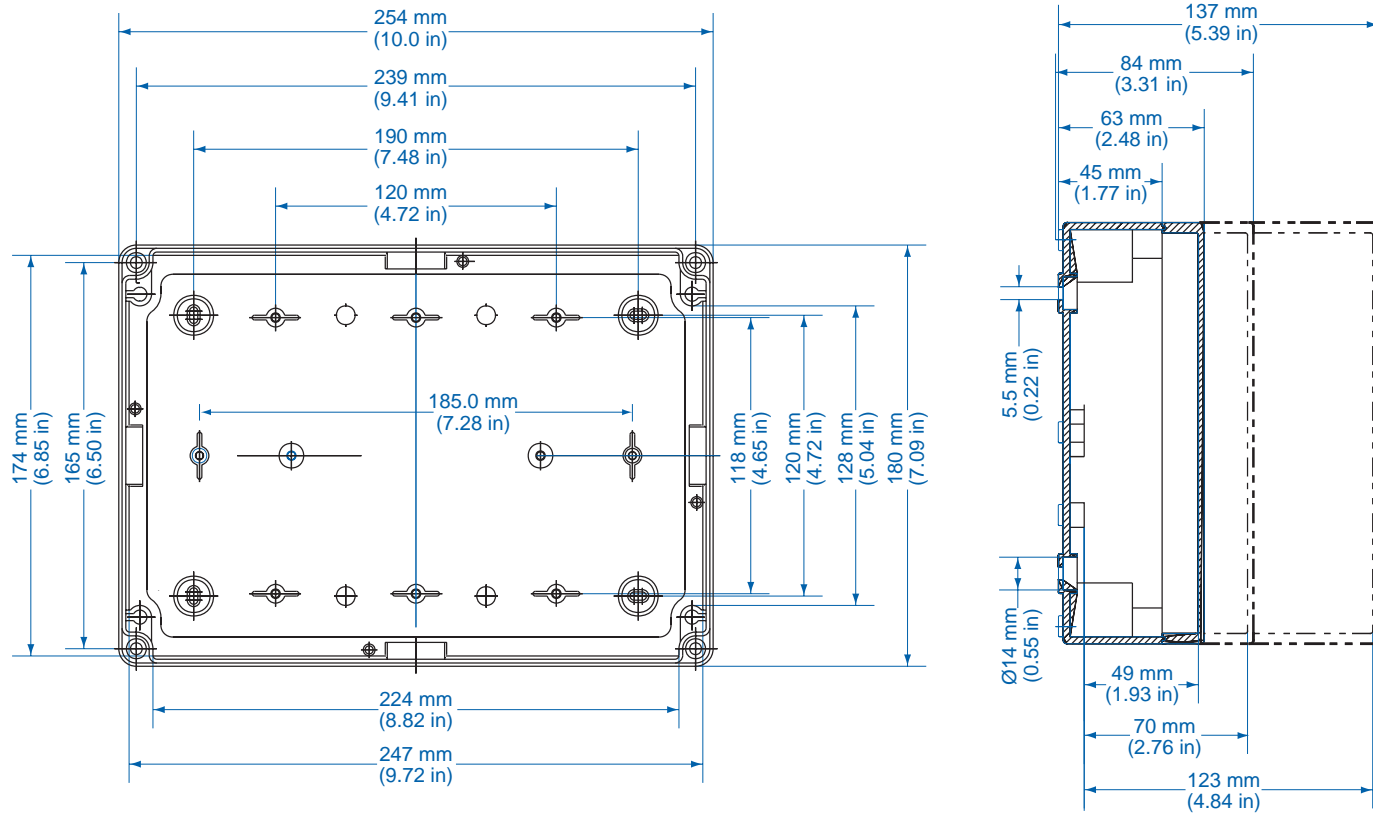
### Accessories

Ordering Information	Cat. No.	Type	Std. Pk.
Mounting Plate (plastic)	195-008	TKMPI-2518	1
Mounting Plate (steel)	197-008	TKMPS-2518	1
DIN Rail TS35-216mm	198-216	TS 35/216	1
Hinge Kit Set	190-005	HK2	1
Mounting Tab Kit	194-001	MT1	1

Please refer to pages 149-152 for additional accessories and detailed information.

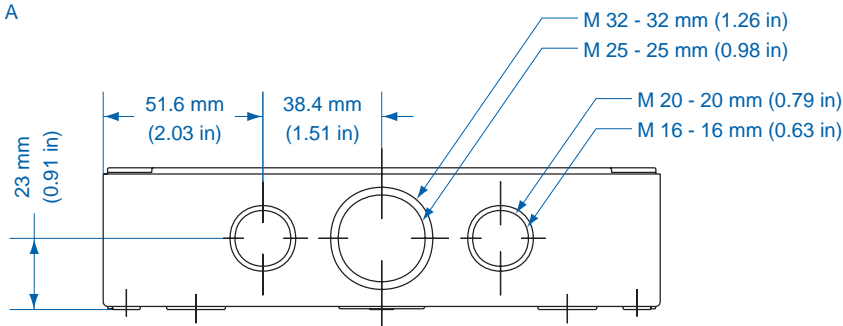


Dimensions

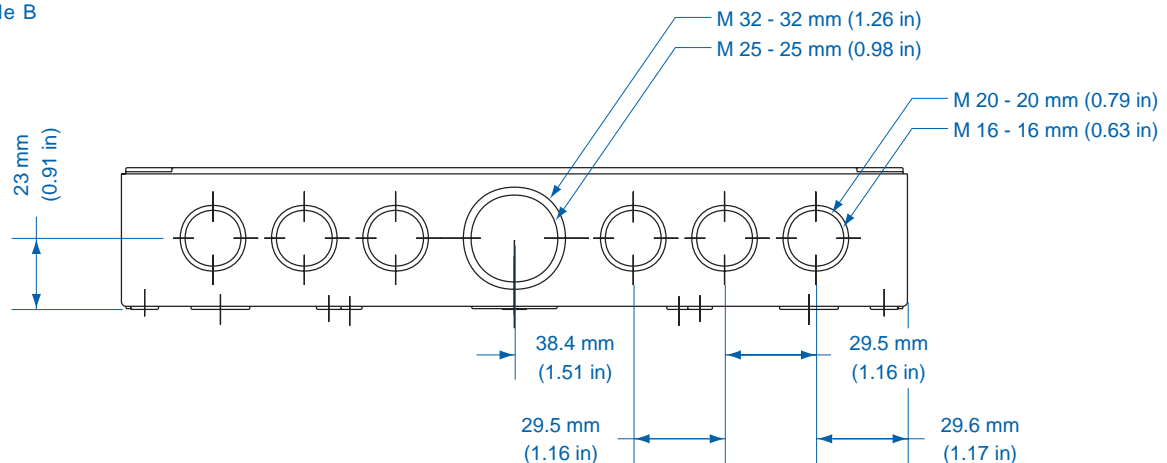


Knockout Positions

Side A



Side B



# TK 2518 – Polystyrene and Polycarbonate – 254 x 180 mm (10.0 x 7.09 in.)

## Standard Features

- **Protection Level:** IP66 (NEMA Type: 4X with gray cover, 12K with transparent cover)
- **Technical:** Smooth or Knockout Sidewalls  
Gray or Tinted Transparent Cover  
Multiple Enclosure Mounting Options
- **UL Recognized**  
**Enclosure Materials:** Polystyrene or Polycarbonate
- **Gasket Material:** Polyurethane
- **Color:** Light Gray
- **Material**  
**Temperature Range:** Polystyrene  
-40°C to 70°C (-40°F to 158°F)  
Polycarbonate  
-40°C to 120°C (-40°F to 248°F)
- **Accessories:** See section below



### Smooth Sidewalls

Ordering Information	Height mm (in)	Polystyrene				Polycarbonate			
		Cat. No.	Type	Cover Color	Std. Pk.	Cat. No.	Type	Cover Color	Std. Pk.
Enclosure - low cover	90 mm (3.54 in)	110-408	PS 2518-9-o	gray	1	120-408	PC 2518-9-o	gray	1
Enclosure - high cover	111 mm (4.37 in)	110-908	PS 2518-11-o	gray	1	120-908	PC 2518-11-o	gray	1
Enclosure - top hat cover	165 mm (6.50 in)	109-408	PS 2518-16-o	gray	1	121-408	PC 2518-16-o	gray	1
Enclosure - low cover	90 mm (3.54 in)	111-008	PS 2518-9-to	trans.	1	130-008	PC 2518-9-to	trans.	1
Enclosure - high cover	111 mm (4.37 in)	111-508	PS 2518-11-to	trans.	1	130-508	PC 2518-11-to	trans.	1
Enclosure - top hat cover	165 mm (6.50 in)	112-008	PS 2518-16-to	trans.	1	131-008	PC 2518-16-to	trans.	1

### Sidewalls with Metric Knockouts

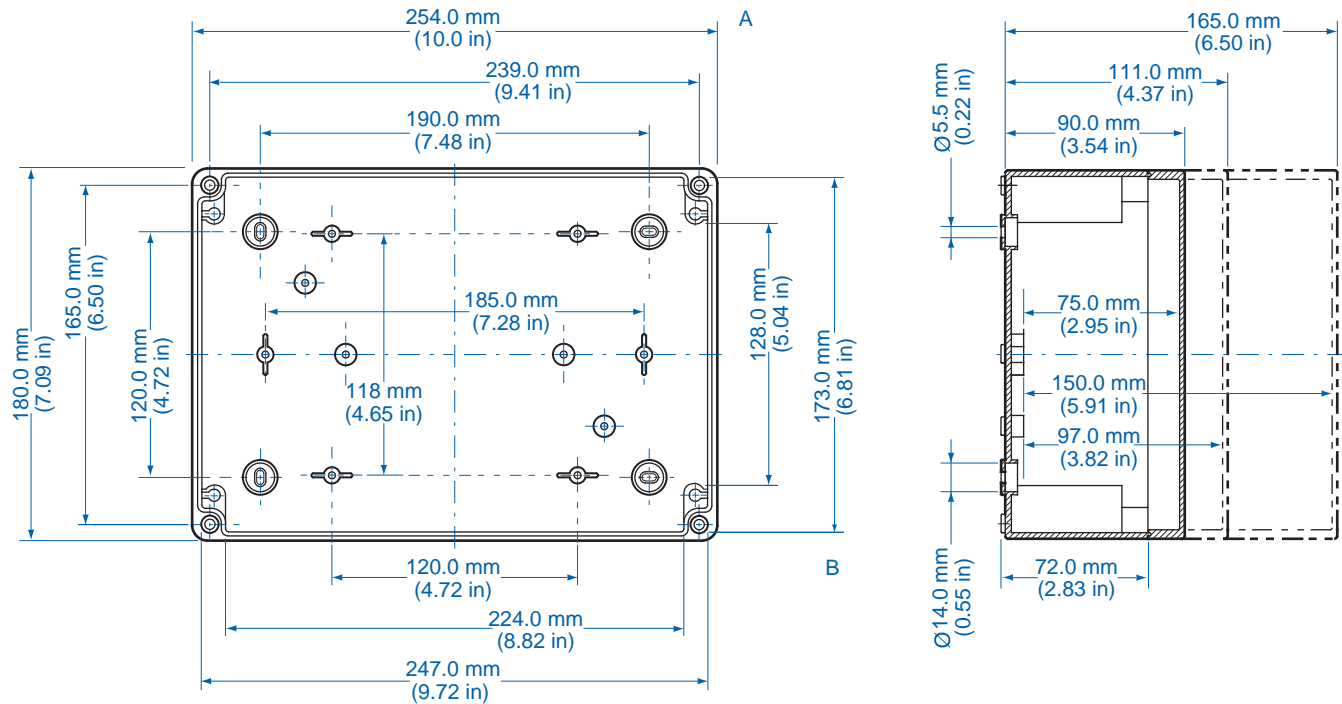
Ordering Information	Height mm (in)	Polystyrene				Polycarbonate			
		Cat. No.	Type	Cover Color	Std. Pk.	Cat. No.	Type	Cover Color	Std. Pk.
Enclosure - low cover	90 mm (3.54 in)	105-408	PS 2518-9-m	gray	1	127-408	PC 2518-9-m	gray	1
Enclosure - high cover	111 mm (4.37 in)	105-908	PS 2518-11-m	gray	1	127-908	PC 2518-11-m	gray	1
Enclosure - top hat cover	165 mm (6.50 in)	104-408	PS 2518-16-m	gray	1	128-408	PC 2518-16-m	gray	1
Enclosure - low cover	90 mm (3.54 in)	106-008	PS 2518-9-tm	trans.	1	137-008	PC 2518-9-tm	trans.	1
Enclosure - high cover	111 mm (4.37 in)	106-508	PS 2518-11-tm	trans.	1	137-508	PC 2518-11-tm	trans.	1
Enclosure - top hat cover	165 mm (6.50 in)	107-008	PS 2518-16-tm	trans.	1	138-008	PC 2518-16-tm	trans.	1

### Accessories

Ordering Information	Cat. No.	Type	Std. Pk.
Mounting Plate (plastic)	195-008	TKMPI-2518	1
Mounting Plate (steel)	197-008	TKMPS-2518	1
DIN Rail TS35-216mm	198-216	TS 35/216	1
Hinge Kit Set	190-005	HK2	1
Mounting Tab Kit	194-001	MT1	1

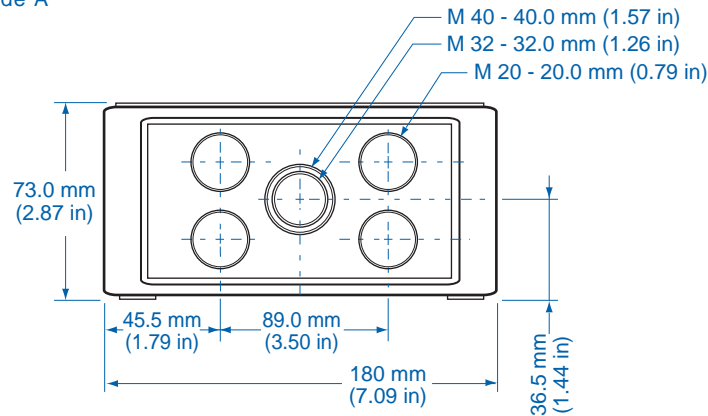
Please refer to pages 149-152 for additional accessories and detailed information.

Dimensions

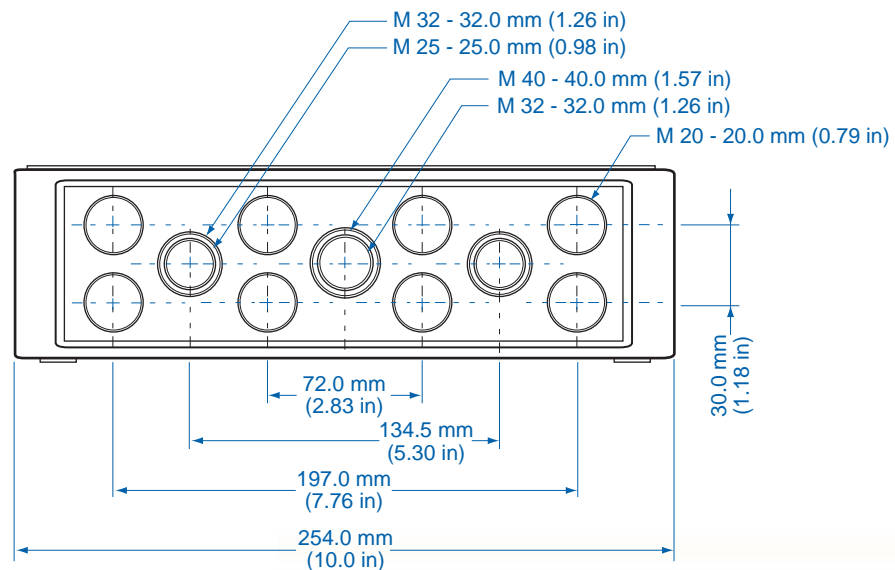


Knockout Positions

Side A



Side B



# TK 3625 – Polystyrene and Polycarbonate – 360 x 254 mm (14.2 x 10.0 in.)

## Standard Features

- **Protection Level:** IP66 (NEMA Type: 4X with gray cover, 12K with transparent cover)
- **Technical:** Smooth or Knockout Sidewalls  
Gray or Tinted Transparent Cover  
Multiple Enclosure Mounting Options
- **UL Recognized**  
**Enclosure Materials:** Polystyrene or Polycarbonate
- **Gasket Material:** Polyurethane
- **Color:** Light Gray
- **Material**  
**Temperature Range:** Polystyrene  
-40°C to 70°C (-40°F to 158°F)  
Polycarbonate  
-40°C to 120°C (-40°F to 248°F)
- **Accessories:** See section below



### Smooth Sidewalls

Ordering Information	Height mm (in)	Polystyrene				Polycarbonate			
		Cat. No.	Type	Cover Color	Std. Pk.	Cat. No.	Type	Cover Color	Std. Pk.
<input type="checkbox"/> Enclosure - low cover	111 mm (4.37 in)	110-412	PS 3625-11-o	gray	1	120-412	PC 3625-11-o	gray	1
<input type="checkbox"/> Enclosure - high cover	165 mm (6.50 in)	110-912	PS 3625-16-o	gray	1	120-912	PC 3625-16-o	gray	1
<input type="checkbox"/> Enclosure - low cover	111 mm (4.37 in)	111-012	PS 3625-11-to	trans.	1	130-012	PC 3625-11-to	trans.	1
<input type="checkbox"/> Enclosure - high cover	165 mm (6.50 in)	111-512	PS 3625-16-to	trans.	1	130-512	PC 3625-16-to	trans.	1

### Sidewalls with Metric Knockouts

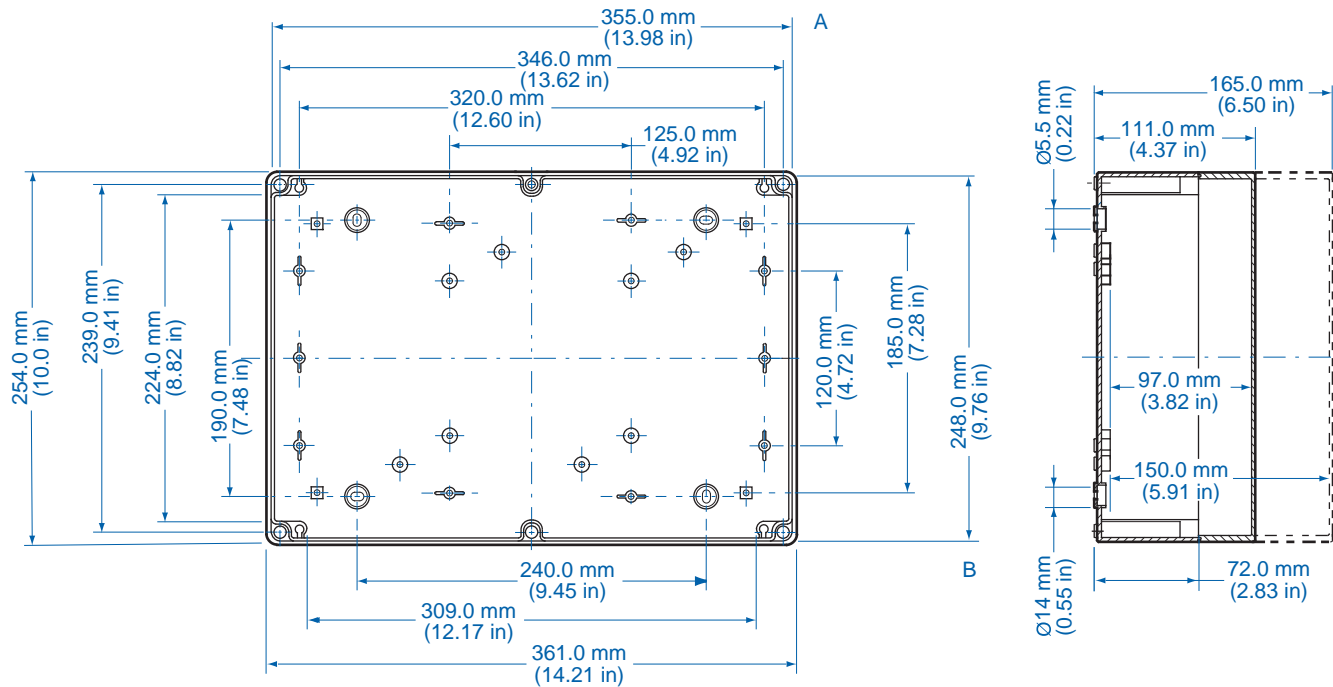
Ordering Information	Height mm (in)	Polystyrene				Polycarbonate			
		Cat. No.	Type	Cover Color	Std. Pk.	Cat. No.	Type	Cover Color	Std. Pk.
<input type="checkbox"/> Enclosure - low cover	111 mm (4.37 in)	105-412	PS 3625-11-m	gray	1	127-412	PC 3625-11-m	gray	1
<input type="checkbox"/> Enclosure - high cover	165 mm (6.50 in)	105-912	PS 3625-16-m	gray	1	127-912	PC 3625-16-m	gray	1
<input type="checkbox"/> Enclosure - low cover	111 mm (4.37 in)	106-012	PS 3625-11-tm	trans.	1	137-012	PC 3625-11-tm	trans.	1
<input type="checkbox"/> Enclosure - high cover	165 mm (6.50 in)	106-512	PS 3625-16-tm	trans.	1	137-512	PC 3625-16-tm	trans.	1

### Accessories

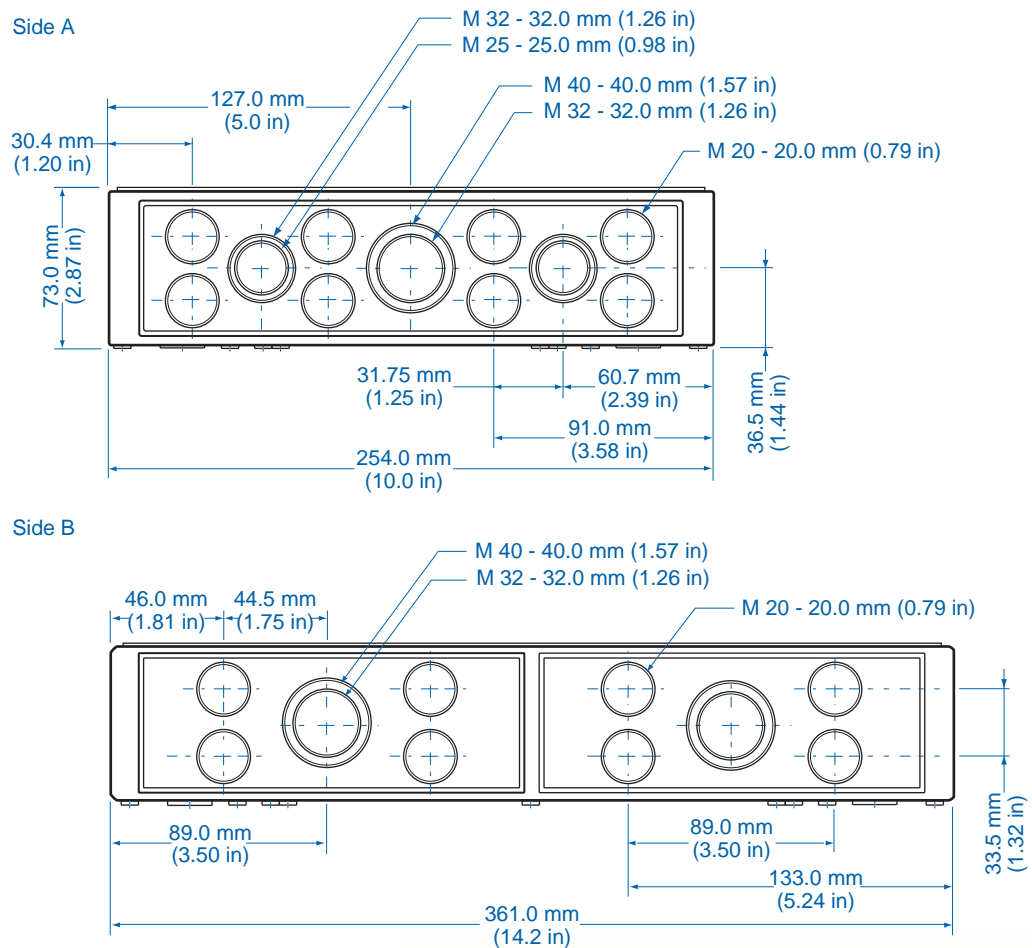
Ordering Information	Cat. No.	Type	Std. Pk.
Mounting Plate (plastic)	195-012	TKMPI-3625	1
Mounting Plate (steel)	197-012	TKMPS-3625	1
DIN Rail TS35-336mm	198-336	TS 35/ 336	1
Hinge Kit Set	190-005	HK2	1
Mounting Tab Kit	194-001	MT1	1

Please refer to pages 149-152 for additional accessories and detailed information.

Dimensions



Knockout Positions





**NEW**  
**NEW**

# TG Series

Featuring an attractive, high-gloss finish, the TG enclosure series is manufactured from high-quality plastics, with a choice of ABS or Polycarbonate for unsurpassed industrial quality. These high quality materials are impact and flame resistant as well as being halogen free. Rated to protection class IP 67, they are not only dustproof but also reliably protect installed electrical or electronic equipment against ingress of water during short-term submersion. The TG series therefore satisfies the most demanding applications and provides sure protection in harsh industrial environments even for highly sensitive electronics.

- 16 sizes available
- IP67 (NEMA TYPE 4X)
- ABS or Polycarbonate
- Gray or transparent covers
- Smooth Sidewalls
- Stainless Steel cover screws  
(choice of standard screws or 1/4 turn quick release screws)
- Integral cover retainers
- Integral mounting studs in base
- Recessed cover for label inlays or membrane keypads
- Flame resistant and halogen free

## The TG Advantage



Quick Turn Screws  
Open or Close with 1/4 Turn

Enclosure Printing.  
Digital printing, screen printing  
and adhesive labels.

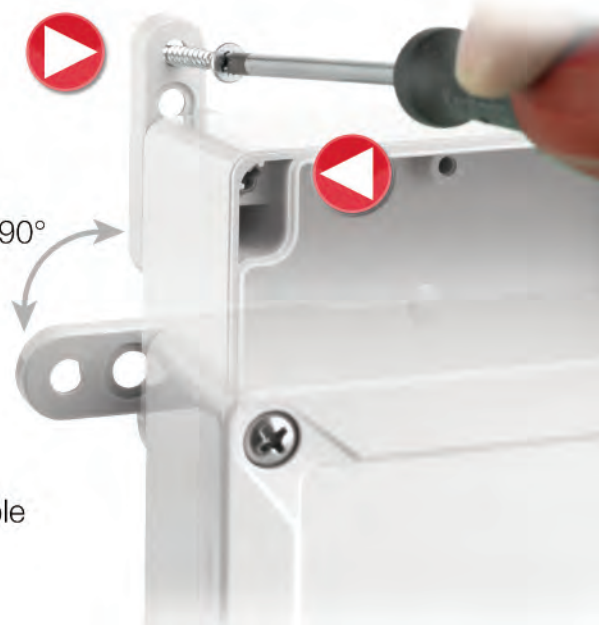


Integrated  
cover retainer.

Rotates 90°

Internal hinges available  
on some models.

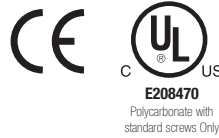
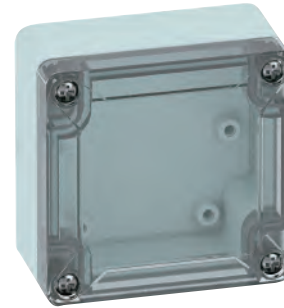
Enclosure mounts through corner  
holes or with optional mounting kit.



# TG88-6 – ABS and Polycarbonate – 84 x 82 x 55 mm (3.31 x 3.23 x 2.17 in.)

## Standard Features

- **Protection Level:** IP67 (NEMA 4X)
- **Technical:**
  - Smooth Sidewalls
  - Gray or Transparent Cover
  - Standard or Quick Turn Screws
  - 60 x 58 x 0.4 mm Recess in Cover
  - Integrated Cover Retainer
- **UL Recognized Enclosure Materials:** ABS or Polycarbonate
- **Transparent Cover Material:** Polycarbonate
- **Gasket Material:** Polyurethane
- **Color:** Light Gray
- **Material Temperature Range:**
  - ABS: -40°C to 80°C (-40°F to 176°F)
  - Polycarbonate: -40°C to 120°C (-40°F to 248°F)
- **Accessories:** See section below



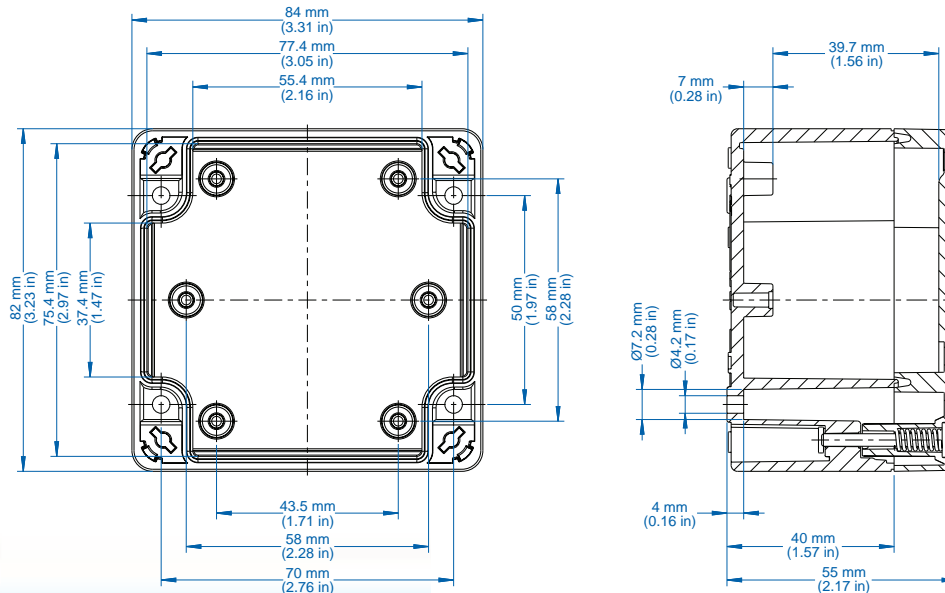
## TG

Ordering Information	Cat. No. w/ Standard Screws	Cat. No. w/ Quick Turn Screws	Type	Length	Dimensions mm (in) Width	Height	Std. Pk.
<b>ABS</b>							
Gray cover	100-403-91	100-403-01	TGABS88-6-o	84 mm (3.31 in.)	82 mm (3.23 in.)	55 mm (2.17 in.)	1
Transparent cover	101-003-91	101-003-01	TGABS88-6-to	84 mm (3.31 in.)	82 mm (3.23 in.)	55 mm (2.17 in.)	1
<b>Polycarbonate</b>							
Gray cover	200-403-91	200-403-01	TGPC88-6-o	84 mm (3.31 in.)	82 mm (3.23 in.)	55 mm (2.17 in.)	1
Transparent cover	201-003-91	201-003-01	TGPC88-6-to	84 mm (3.31 in.)	82 mm (3.23 in.)	55 mm (2.17 in.)	1

## Accessories

Ordering Information	Cat. No.	Type	Std. Pk.
Mounting Plate (plastic)	186-003	TGMPI-88	1
Mounting Plate (steel)	187-003	TGMPS-88	1
DIN Rail – TS35-68	198-068	NS35-68	1
DIN Rail - TS15-68	197-069	TS15-68	1
Mounting Tab Kit	182-002	TGABL	1

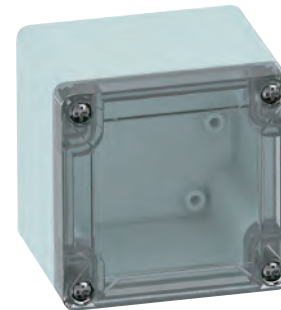
Please refer to pages 149-152 additional accessories and detailed information





**Standard Features**

- **Protection Level:** IP67 (NEMA 4X)
- **Technical:** Smooth Sidewalls  
Gray or Transparent Cover  
Standard or Quick Turn Screws  
60 x 58 x 0.4 mm Recess in Cover  
Integrated Cover Retainer
- **UL Recognized Enclosure Materials:** ABS or Polycarbonate
- **Transparent Cover Material:** Polycarbonate
- **Gasket Material:** Polyurethane
- **Color:** Light Gray
- **Material Temperature Range:** ABS  
-40°C to 80°C (-40°F to 176°F)  
Polycarbonate  
-40°C to 120°C (-40°F to 248°F)
- **Accessories:** See section below



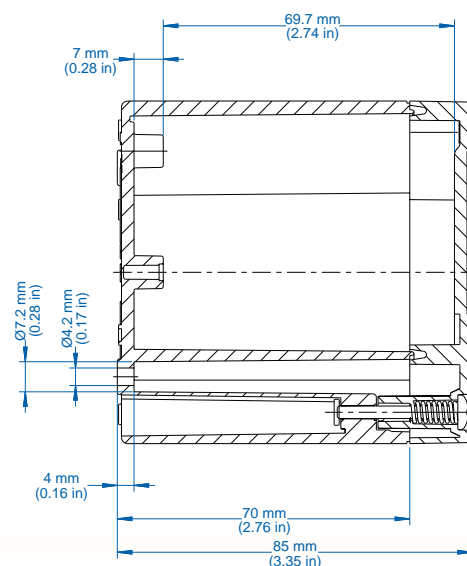
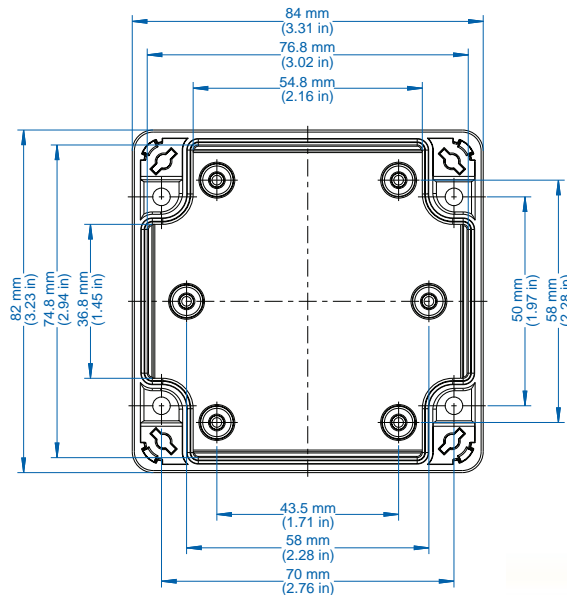
**TG**

Ordering Information	Cat. No. w/ Standard Screws	Cat. No. w/ Quick Turn Screws	Type	Length	Dimensions mm (in) Width	Height	Std. Pk.
<b>ABS</b>							
Gray cover	100-903-91	100-903-01	TGABS88-9-o	84 mm (3.31 in.)	82 mm (3.23 in.)	85 mm (3.35 in.)	1
Transparent cover	101-503-91	101-503-01	TGABS88-9-to	84 mm (3.31 in.)	82 mm (3.23 in.)	85 mm (3.35 in.)	1
<b>Polycarbonate</b>							
Gray cover	200-903-91	200-903-01	TGPC88-9-o	84 mm (3.31 in.)	82 mm (3.23 in.)	85 mm (3.35 in.)	1
Transparent cover	201-503-91	201-503-01	TGPC88-9-to	84 mm (3.31 in.)	82 mm (3.23 in.)	85 mm (3.35 in.)	1

**Accessories**

Ordering Information	Cat. No.	Type	Std. Pk.
Mounting Plate (plastic)	186-003	TGMPI-88	1
Mounting Plate (steel)	187-003	TGMPS-88	1
DIN Rail – TS35-68	198-068	NS35-68	1
DIN Rail - TS15-68	197-069	TS15-68	1
Mounting Tab Kit	182-002	TGABL	1

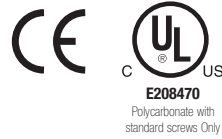
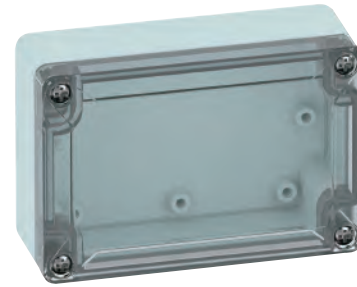
Please refer to pages 149-152 additional accessories and detailed information



# TG1208-6 – ABS and Polycarbonate – 122 x 82 x 55 mm (4.80 x 3.23 x 2.17 in.)

## Standard Features

- **Protection Level:** IP67 (NEMA 4X)
- **Technical:** Smooth Sidewalls  
Gray or Transparent Cover  
Standard or Quick Turn Screws  
98 x 58 x 0.4 mm Recess in Cover  
Integrated Cover Retainer
- **UL Recognized Enclosure Materials:** ABS or Polycarbonate
- **Transparent Cover Material:** Polycarbonate
- **Gasket Material:** Polyurethane
- **Color:** Light Gray
- **Material Temperature Range:** ABS  
-40°C to 80°C (-40°F to 176°F)  
Polycarbonate  
-40°C to 120°C (-40°F to 248°F)
- **Accessories:** See section below



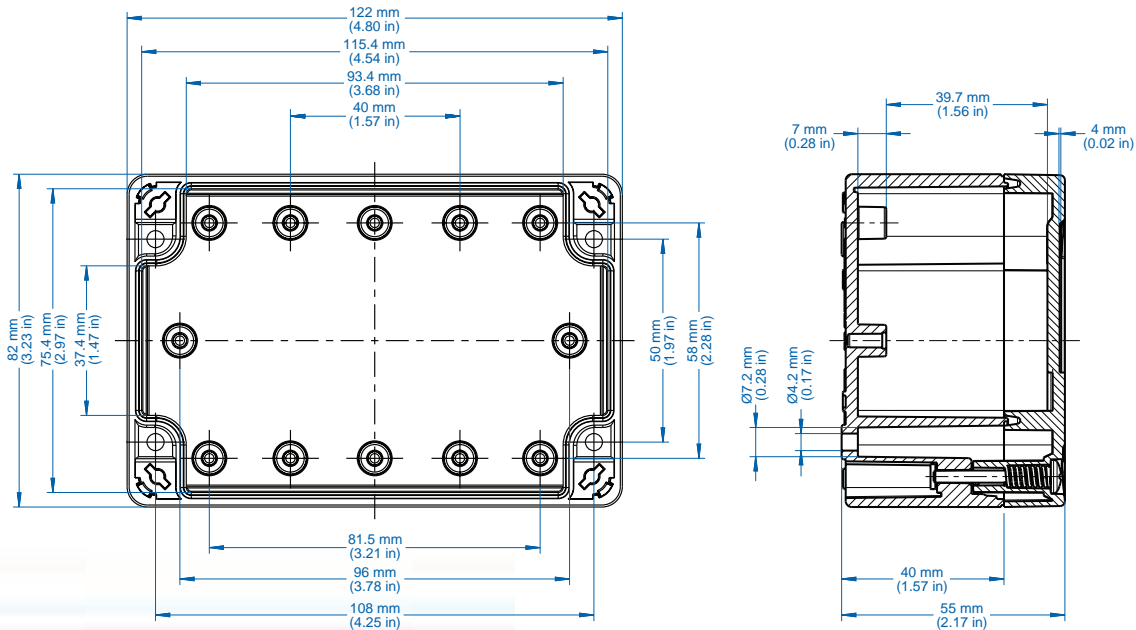
## TG

Ordering Information	Cat. No. w/ Standard Screws	Cat. No. w/ Quick Turn Screws	Type	Length	Dimensions mm (in) Width	Height	Std. Pk.
<b>ABS</b>							
Gray cover	100-404-91	100-404-01	TGABS1208-6-o	122 mm (4.80 in.)	82 mm (3.23 in.)	55 mm (2.17 in.)	1
Transparent cover	101-004-91	101-004-01	TGABS1208-6-to	122 mm (4.80 in.)	82 mm (3.23 in.)	55 mm (2.17 in.)	1
<b>Polycarbonate</b>							
Gray cover	200-404-91	200-404-01	TGPC1208-6-o	122 mm (4.80 in.)	82 mm (3.23 in.)	55 mm (2.17 in.)	1
Transparent cover	201-004-91	201-004-01	TGPC1208-6-to	122 mm (4.80 in.)	82 mm (3.23 in.)	55 mm (2.17 in.)	1

## Accessories

Ordering Information	Cat. No.	Type	Std. Pk.
Mounting Plate (plastic)	186-004	TGMPI-1208	1
Mounting Plate (steel)	187-004	TGMPS-1208	1
DIN Rail – TS35-106	198-107	NS35-106/2	1
DIN Rail - TS15-106	197-107	TS15-106/2	1
Mounting Tab Kit	182-002	TGABL	1

Please refer to pages 149-152 additional accessories and detailed information

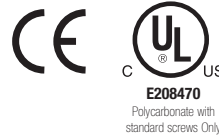


**Standard Features**

- **Protection Level:** IP67 (NEMA 4X)
- **Technical:** Smooth Sidewalls  
Gray or Transparent Cover  
Standard or Quick Turn Screws  
98 x 58 x 0.4 mm Recess in Cover  
Integrated Cover Retainer

- **UL Recognized Enclosure Materials:** ABS or Polycarbonate
- **Transparent Cover Material:** Polycarbonate
- **Gasket Material:** Polyurethane
- **Color:** Light Gray
- **Material Temperature Range:** ABS  
-40°C to 80°C (-40°F to 176°F)  
Polycarbonate  
-40°C to 120°C (-40°F to 248°F)

- **Accessories:** See section below



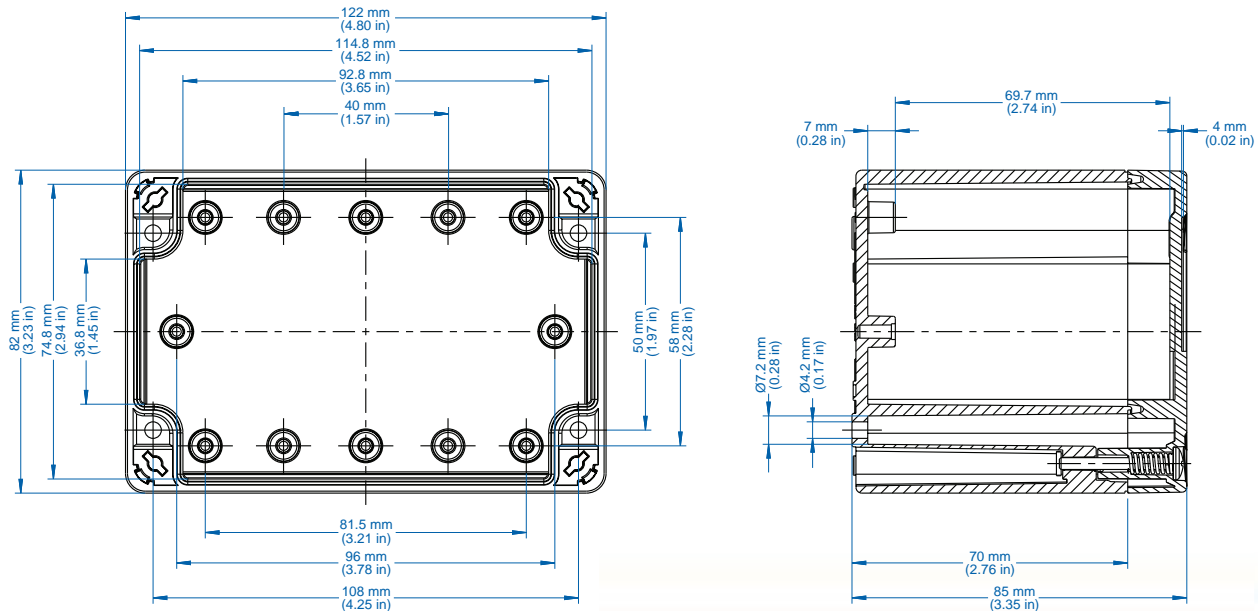
**TG**

Ordering Information	Cat. No. w/ Standard Screws	Cat. No. w/ Quick Turn Screws	Type	Length	Dimensions mm (in) Width	Height	Std. Pk.
<b>ABS</b>							
Gray cover	100-904-91	100-904-01	TGABS1208-9-o	122 mm (4.80 in.)	82 mm (3.23 in.)	85 mm (3.35 in.)	1
Transparent cover	101-504-91	101-504-01	TGABS1208-9-to	122 mm (4.80 in.)	82 mm (3.23 in.)	85 mm (3.35 in.)	1
<b>Polycarbonate</b>							
Gray cover	200-904-91	200-904-01	TGPC1208-9-o	122 mm (4.80 in.)	82 mm (3.23 in.)	85 mm (3.35 in.)	1
Transparent cover	201-504-91	201-504-01	TGPC1208-9-to	122 mm (4.80 in.)	82 mm (3.23 in.)	85 mm (3.35 in.)	1

**Accessories**

Ordering Information	Cat. No.	Type	Std. Pk.
Mounting Plate (plastic)	186-004	TGMPI-1208	1
Mounting Plate (steel)	187-004	TGMPS-1208	1
DIN Rail – TS35-106	198-107	NS35-106/2	1
DIN Rail - TS15-106	197-107	TS15-106/2	1
Mounting Tab Kit	182-002	TGABL	1

Please refer to pages 149-152 additional accessories and detailed information



# TG1212-6 – ABS and Polycarbonate – 124 x 122 x 55 mm (4.88 x 4.80 x 2.17 in.)

## Standard Features

- **Protection Level:** IP67 (NEMA 4X)
- **Technical:**
  - Smooth Sidewalls
  - Gray or Transparent Cover
  - Standard or Quick Turn Screws
  - 97 x 95 x 0.4 mm Recess in Cover
  - Integrated Cover Retainer
- **UL Recognized Enclosure Materials:** ABS or Polycarbonate
- **Transparent Cover Material:** Polycarbonate
- **Gasket Material:** Polyurethane
- **Color:** Light Gray
- **Material Temperature Range:**
  - ABS: -40°C to 80°C (-40°F to 176°F)
  - Polycarbonate: -40°C to 120°C (-40°F to 248°F)
- **Accessories:** See section below



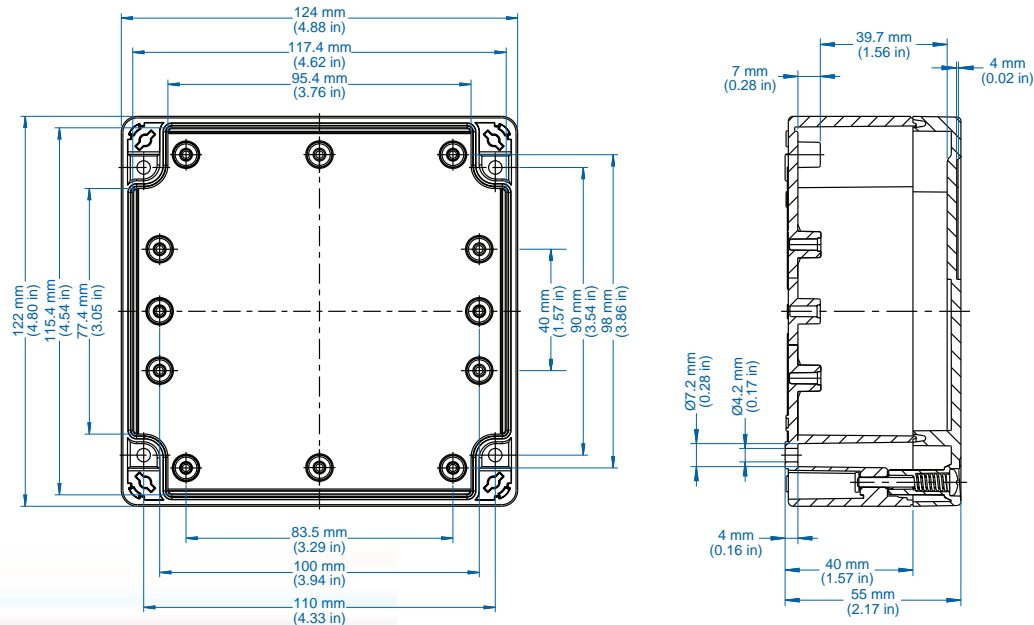
## TG

Ordering Information	Cat. No. w/ Standard Screws	Cat. No. w/ Quick Turn Screws	Type	Length	Dimensions mm (in) Width	Height	Std. Pk.
<b>ABS</b>							
Gray cover	100-405-91	100-405-01	TGABS1212-6-o	124 mm (4.88 in.)	122 mm (4.80 in.)	55 mm (2.17 in.)	1
Transparent cover	101-005-91	101-005-01	TGABS1212-6-to	124 mm (4.88 in.)	122 mm (4.80 in.)	55 mm (2.17 in.)	1
<b>Polycarbonate</b>							
Gray cover	200-405-91	200-405-01	TGPC1212-6-o	124 mm (4.88 in.)	122 mm (4.80 in.)	55 mm (2.17 in.)	1
Transparent cover	201-005-91	201-005-01	TGPC1212-6-to	124 mm (4.88 in.)	122 mm (4.80 in.)	55 mm (2.17 in.)	1

## Accessories

Ordering Information	Cat. No.	Type	Std. Pk.
Mounting Plate (plastic)	186-005	TGMPI-1212	1
Mounting Plate (steel)	187-005	TGMPS-1212	1
DIN Rail – TS35-110	198-110	NS35-110	1
DIN Rail - TS15-110	197-110	TS15-110	1
Internal Hinge Kit Set (longside)	182-001	TGISS	1
Mounting Tab Kit	182-002	TGABL	1

Please refer to pages 149-152 additional accessories and detailed information



**Standard Features**

- **Protection Level:** IP67 (NEMA 4X)
- **Technical:** Smooth Sidewalls  
Gray or Transparent Cover  
Standard or Quick Turn Screws  
97 x 95 x 0.4 mm Recess in Cover  
Integrated Cover Retainer
- **UL Recognized Enclosure Materials:** ABS or Polycarbonate
- **Transparent Cover Material:** Polycarbonate
- **Gasket Material:** Polyurethane
- **Color:** Light Gray
- **Material Temperature Range:** ABS  
-40°C to 80°C (-40°F to 176°F)  
Polycarbonate  
-40°C to 120°C (-40°F to 248°F)
- **Accessories:** See section below



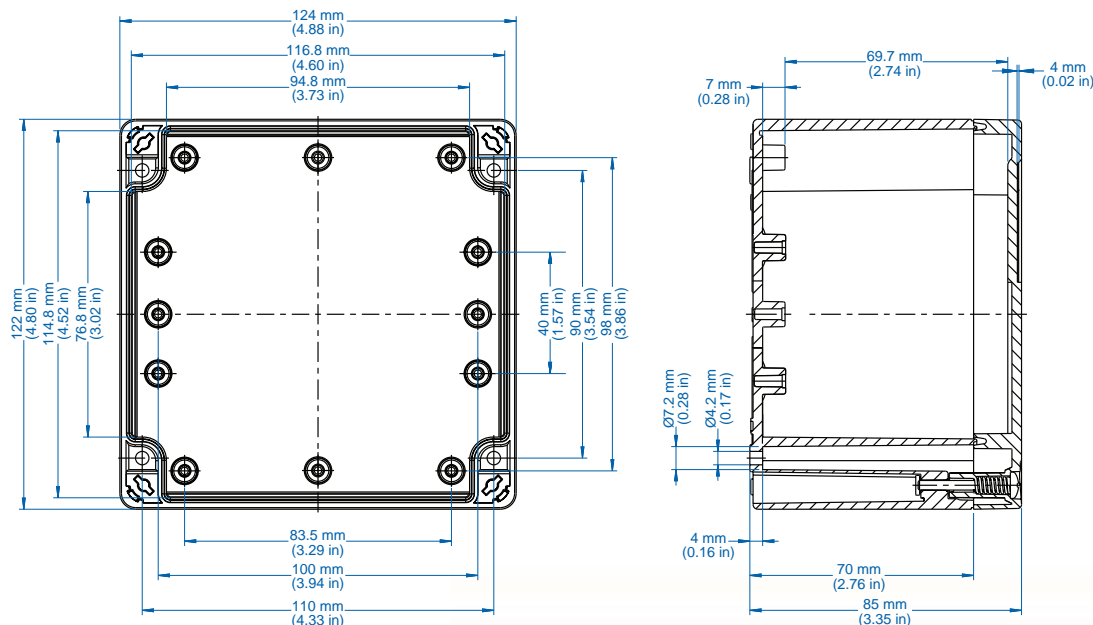
**TG**

Ordering Information	Cat. No. w/ Standard Screws	Cat. No. w/ Quick Turn Screws	Type	Length	Dimensions mm (in) Width	Height	Std. Pk.
<b>ABS</b>							
Gray cover	100-905-91	100-905-01	TGABS1212-9-o	124 mm (4.88 in.)	122 mm (4.80 in.)	85 mm (3.35 in.)	1
Transparent cover	101-505-91	101-505-01	TGABS1212-9-to	124 mm (4.88 in.)	122 mm (4.80 in.)	85 mm (3.35 in.)	1
<b>Polycarbonate</b>							
Gray cover	200-905-91	200-905-01	TGPC1212-9-o	124 mm (4.88 in.)	122 mm (4.80 in.)	85 mm (3.35 in.)	1
Transparent cover	201-505-91	201-505-01	TGPC1212-9-to	124 mm (4.88 in.)	122 mm (4.80 in.)	85 mm (3.35 in.)	1

**Accessories**

Ordering Information	Cat. No.	Type	Std. Pk.
Mounting Plate (plastic)	186-005	TGMPI-1212	1
Mounting Plate (steel)	187-005	TGMPS-1212	1
DIN Rail – TS35-110	198-110	NS35-110	1
DIN Rail - TS15-110	197-110	TS15-110	1
Internal Hinge Kit Set (longside)	182-001	TGISS	1
Mounting Tab Kit	182-002	TGABL	1

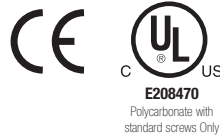
Please refer to pages 149-152 additional accessories and detailed information



# TG1608-6 – ABS and Polycarbonate – 162 x 82 x 55 mm (6.38 x 3.23 x 2.17 in.)

## Standard Features

- **Protection Level:** IP67 (NEMA 4X)
- **Technical:** Smooth Sidewalls  
Gray or Transparent Cover  
Standard or Quick Turn Screws  
138 x 58 x 0.4 mm Recess in Cover  
Integrated Cover Retainer
- **UL Recognized Enclosure Materials:** ABS or Polycarbonate
- **Transparent Cover Material:** Polycarbonate
- **Gasket Material:** Polyurethane
- **Color:** Light Gray
- **Material Temperature Range:** ABS  
-40°C to 80°C (-40°F to 176°F)  
Polycarbonate  
-40°C to 120°C (-40°F to 248°F)
- **Accessories:** See section below



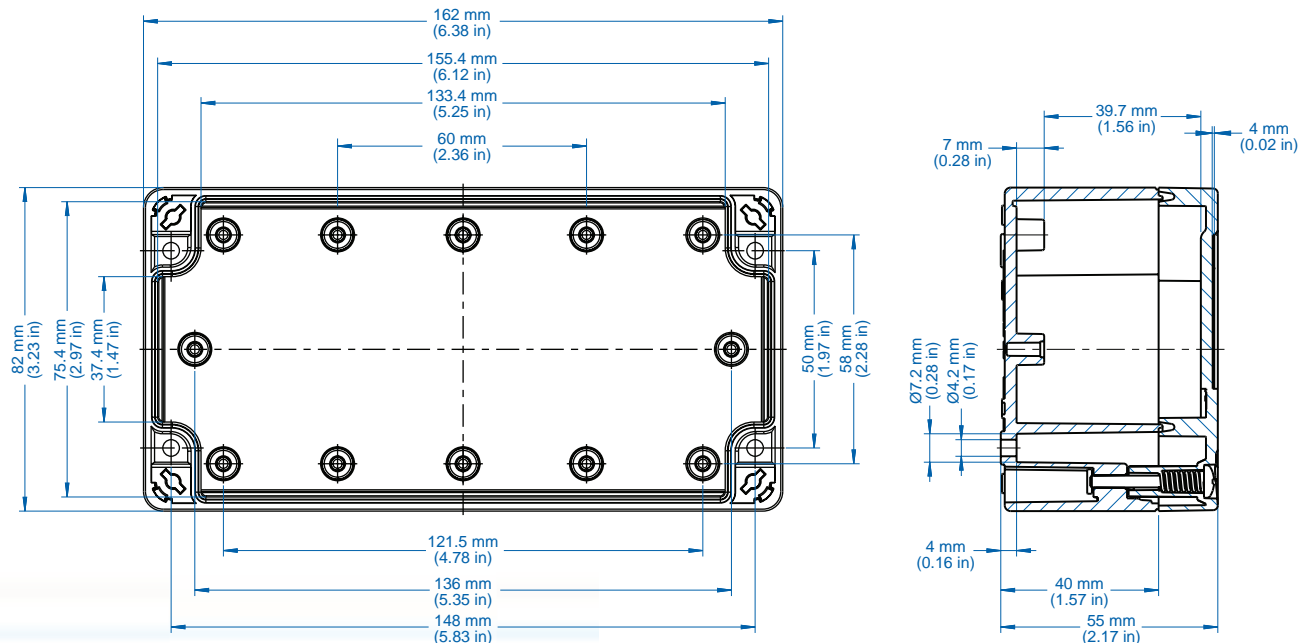
## TG

Ordering Information	Cat. No. w/ Standard Screws	Cat. No. w/ Quick Turn Screws	Type	Length	Dimensions mm (in) Width	Height	Std. Pk.
<b>ABS</b>							
Gray cover	100-406-91	100-406-01	TGABS1608-6-o	162 mm (6.38 in.)	82 mm (3.23 in.)	55 mm (2.17 in.)	1
Transparent cover	101-006-91	101-006-01	TGABS1608-6-to	162 mm (6.38 in.)	82 mm (3.23 in.)	55 mm (2.17 in.)	1
<b>Polycarbonate</b>							
Gray cover	200-406-91	200-406-01	TGPC1608-6-o	162 mm (6.38 in.)	82 mm (3.23 in.)	55 mm (2.17 in.)	1
Transparent cover	201-006-91	201-006-01	TGPC1608-6-to	162 mm (6.38 in.)	82 mm (3.23 in.)	55 mm (2.17 in.)	1

## Accessories

Ordering Information	Cat. No.	Type	Std. Pk.
Mounting Plate (plastic)	186-006	TGMPI-1608	1
Mounting Plate (steel)	187-006	TGMPS-1608	1
DIN Rail – TS35-146	198-146	NS35-146	1
DIN Rail - TS15-146	197-146	TS15-146	1
Mounting Tab Kit	182-002	TGABL	1

Please refer to pages 149-152 additional accessories and detailed information



**Standard Features**

- **Protection Level:** IP67 (NEMA 4X)
- **Technical:** Smooth Sidewalls  
Gray or Transparent Cover  
Standard or Quick Turn Screws  
138 x 58 x 0.4 mm Recess in Cover  
Integrated Cover Retainer
- **UL Recognized Enclosure Materials:** ABS or Polycarbonate
- **Transparent Cover Material:** Polycarbonate
- **Gasket Material:** Polyurethane
- **Color:** Light Gray
- **Material Temperature Range:** ABS  
-40°C to 80°C (-40°F to 176°F)  
Polycarbonate  
-40°C to 120°C (-40°F to 248°F)
- **Accessories:** See section below



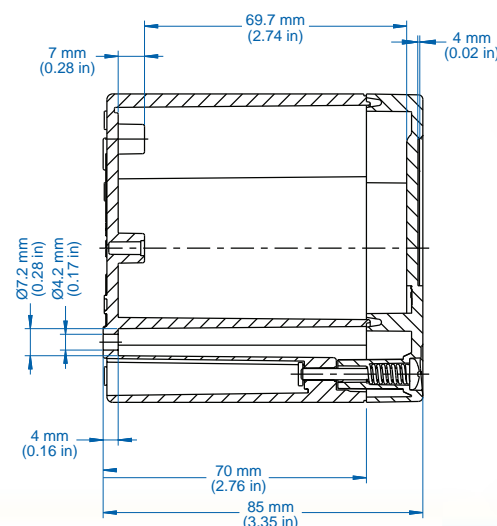
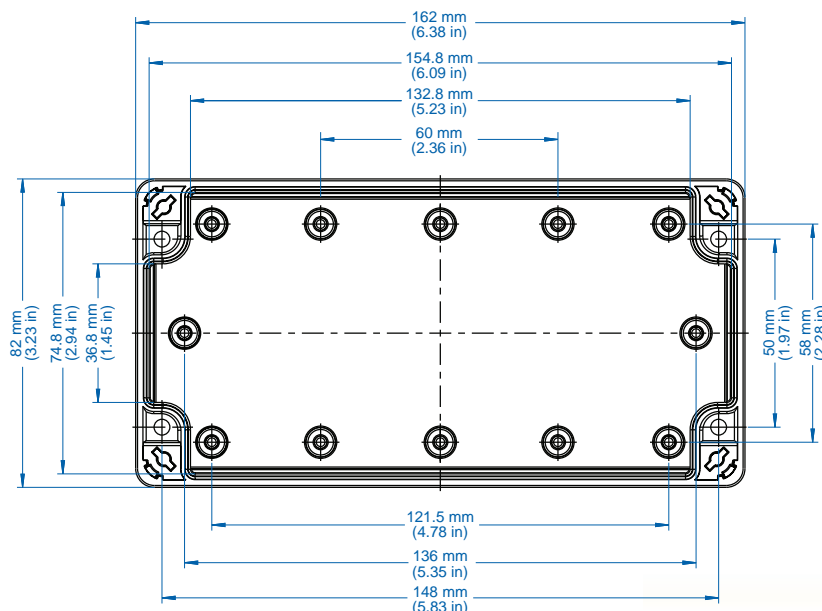
**TG**

Ordering Information	Cat. No. w/ Standard Screws	Cat. No. w/ Quick Turn Screws	Type	Length	Dimensions mm (in) Width	Height	Std. Pk.
<b>ABS</b>							
Gray cover	100-906-91	100-906-01	TGABS1608-9-o	162 mm (6.38 in.)	82 mm (3.23 in.)	85 mm (3.35 in.)	1
Transparent cover	101-506-91	101-506-01	TGABS1608-9-to	162 mm (6.38 in.)	82 mm (3.23 in.)	85 mm (3.35 in.)	1
<b>Polycarbonate</b>							
Gray cover	200-906-91	200-906-01	TGPC1608-9-o	162 mm (6.38 in.)	82 mm (3.23 in.)	85 mm (3.35 in.)	1
Transparent cover	201-506-91	201-506-01	TGPC1608-9-to	162 mm (6.38 in.)	82 mm (3.23 in.)	85 mm (3.35 in.)	1

**Accessories**

Ordering Information	Cat. No.	Type	Std. Pk.
Mounting Plate (plastic)	186-006	TGMPI-1608	1
Mounting Plate (steel)	187-006	TGMPS-1608	1
DIN Rail – TS35-146	198-146	NS35-146	1
DIN Rail - TS15-146	197-146	TS15-146	1
Mounting Tab Kit	182-002	TGABL	1

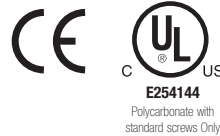
Please refer to pages 149-152 additional accessories and detailed information



# TG1612-9 – ABS and Polycarbonate – 162 x 122 x 90 mm (6.38 x 4.80 x 3.54 in.)

## Standard Features

- **Protection Level:** IP67 (NEMA 4X)
- **Technical:**
  - Smooth Sidewalls
  - Gray or Transparent Cover
  - Standard or Quick Turn Screws
  - 135 x 95 x 0.4 mm Recess in Cover
  - Integrated Cover Retainer
- **UL Recognized Enclosure Materials:** ABS or Polycarbonate
- **Transparent Cover Material:** Polycarbonate
- **Gasket Material:** Polyurethane
- **Color:** Light Gray
- **Material Temperature Range:**
  - ABS: -40°C to 80°C (-40°F to 176°F)
  - Polycarbonate: -40°C to 120°C (-40°F to 248°F)
- **Accessories:** See section below



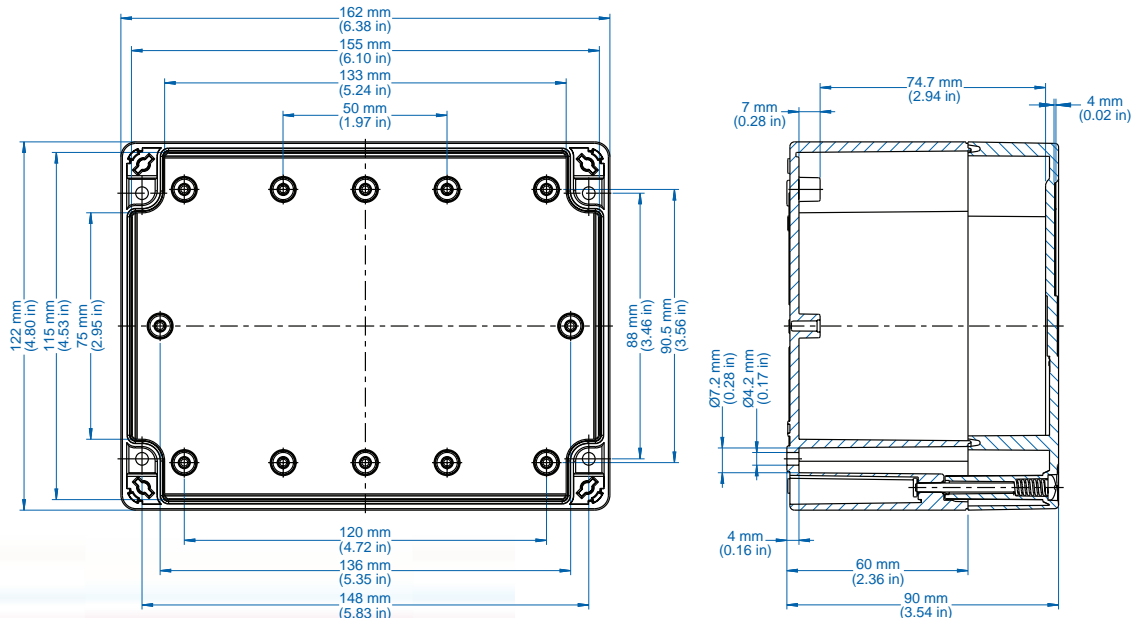
## TG

Ordering Information	Cat. No. w/ Standard Screws	Cat. No. w/ Quick Turn Screws	Type	Length	Dimensions mm (in)			Std. Pk.
					Width	Height		
<b>ABS</b>								
Gray cover	100-407-91	100-407-01	TGABS1612-6-o	162 mm (6.38 in.)	122 mm (4.80 in.)	90 mm (3.54 in.)	1	
Transparent cover	101-007-91	101-007-01	TGABS1612-6-to	162 mm (6.38 in.)	122 mm (4.80 in.)	90 mm (3.54 in.)	1	
<b>Polycarbonate</b>								
Gray cover	200-407-91	200-407-01	TGPC1612-6-o	162 mm (6.38 in.)	122 mm (4.80 in.)	90 mm (3.54 in.)	1	
Transparent cover	201-007-91	201-007-01	TGPC1612-6-to	162 mm (6.38 in.)	122 mm (4.80 in.)	90 mm (3.54 in.)	1	

## Accessories

Ordering Information	Cat. No.	Type	Std. Pk.
Mounting Plate (plastic)	186-007	TGMPI-1612	1
Mounting Plate (steel)	187-007	TGMPS-1612	1
DIN Rail – TS35-146	198-146	NS35-146	1
DIN Rail - TS15-146	197-146	TS15-146	1
Internal Hinge Kit Set (longside)	182-001	TGISS	1
Mounting Tab Kit	182-002	TGABL	1

Please refer to pages 149-152 additional accessories and detailed information





**Standard Features**

- **Protection Level:** IP67 (NEMA 4X)
- **Technical:** Smooth Sidewalls  
Gray or Transparent Cover  
Standard or Quick Turn Screws  
175 x 95 x 0.4 mm Recess in Cover  
Integrated Cover Retainer

- **UL Recognized Enclosure Materials:** ABS or Polycarbonate
- **Transparent Cover Material:** Polycarbonate
- **Gasket Material:** Polyurethane
- **Color:** Light Gray
- **Material Temperature Range:** ABS  
-40°C to 80°C (-40°F to 176°F)  
Polycarbonate  
-40°C to 120°C (-40°F to 248°F)

- **Accessories:** See section below



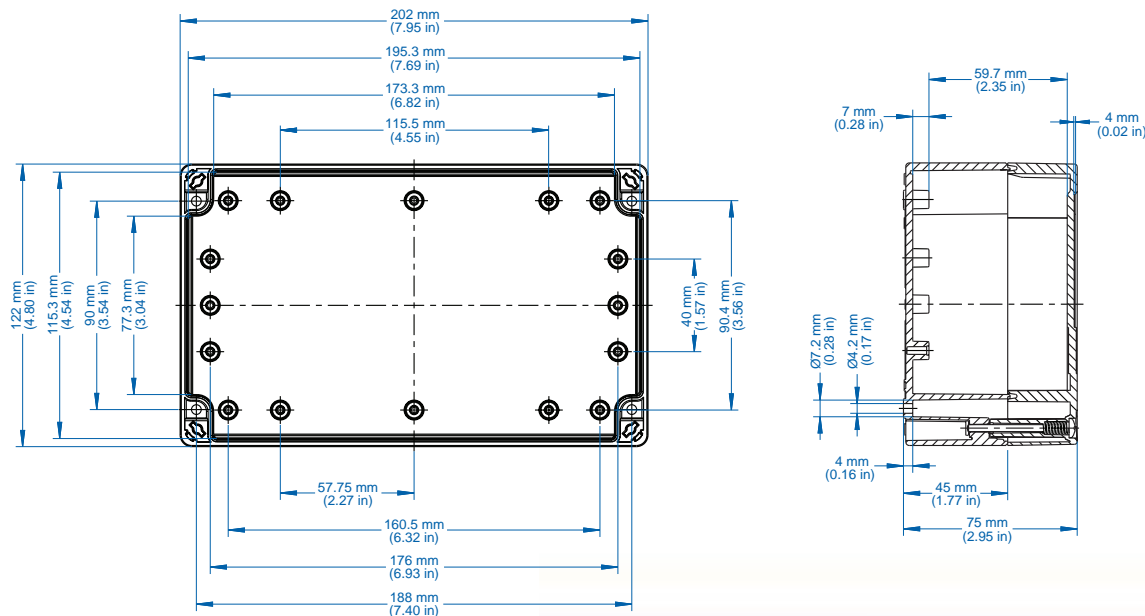
**TG**

Ordering Information	Cat. No. w/ Standard Screws	Cat. No. w/ Quick Turn Screws	Type	Length	Dimensions mm (in)		Std. Pk.
					Width	Height	
<b>ABS</b>							
Gray cover	100-408-91	100-408-01	TGABS2012-8-o	202 mm (7.95 in.)	122 mm (4.80 in.)	75 mm (2.95 in.)	1
Transparent cover	101-008-91	101-008-01	TGABS2012-8-to	202 mm (7.95 in.)	122 mm (4.80 in.)	75 mm (2.95 in.)	1
<b>Polycarbonate</b>							
Gray cover	200-408-91	200-408-01	TGPC2012-8-o	202 mm (7.95 in.)	122 mm (4.80 in.)	75 mm (2.95 in.)	1
Transparent cover	201-008-91	201-008-01	TGPC2012-8-to	202 mm (7.95 in.)	122 mm (4.80 in.)	75 mm (2.95 in.)	1

**Accessories**

Ordering Information	Cat. No.	Type	Std. Pk.
Mounting Plate (plastic)	186-008	TGMPI-2012	1
Mounting Plate (steel)	187-008	TGMPS-2012	1
DIN Rail – TS35-186	198-186	NS35-186	1
DIN Rail - TS15-186	197-186	TS15-186	1
Internal Hinge Kit Set (longside)	182-001	TGISS	1
Mounting Tab Kit	182-002	TGABL	1

Please refer to pages 149-152 additional accessories and detailed information



# TG2012-9 – ABS and Polycarbonate – 202 x 122 x 90 mm (7.95 x 4.80 x 3.54 in.)

## Standard Features

- **Protection Level:** IP67 (NEMA 4X)
- **Technical:** Smooth Sidewalls  
Gray or Transparent Cover  
Standard or Quick Turn Screws  
175 x 95 x 0.4 mm Recess in Cover  
Integrated Cover Retainer

- **UL Recognized Enclosure Materials:** ABS or Polycarbonate
- **Transparent Cover Material:** Polycarbonate
- **Gasket Material:** Polyurethane
- **Color:** Light Gray
- **Material Temperature Range:** ABS  
-40°C to 80°C (-40°F to 176°F)  
Polycarbonate  
-40°C to 120°C (-40°F to 248°F)

- **Accessories:** See section below



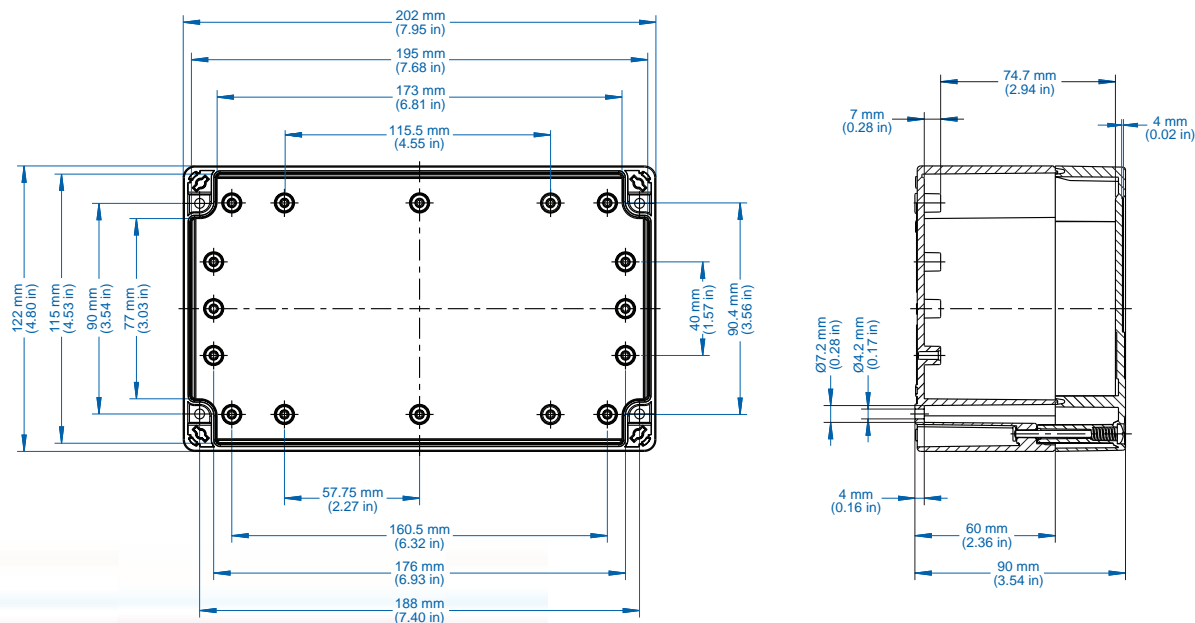
## TG

Ordering Information	Cat. No. w/ Standard Screws	Cat. No. w/ Quick Turn Screws	Type	Length	Dimensions mm (in)		Std. Pk.
					Width	Height	
<b>ABS</b>							
Gray cover	100-908-91	100-908-01	TGABS2012-9-o	202 mm (7.95 in.)	122 mm (4.80 in.)	90 mm (3.54 in.)	1
Transparent cover	101-508-91	101-508-01	TGABS2012-9-to	202 mm (7.95 in.)	122 mm (4.80 in.)	90 mm (3.54 in.)	1
<b>Polycarbonate</b>							
Gray cover	200-908-91	200-908-01	TGPC2012-9-o	202 mm (7.95 in.)	122 mm (4.80 in.)	90 mm (3.54 in.)	1
Transparent cover	201-508-91	201-508-01	TGPC2012-9-to	202 mm (7.95 in.)	122 mm (4.80 in.)	90 mm (3.54 in.)	1

## Accessories

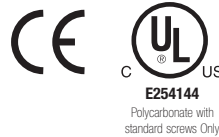
Ordering Information	Cat. No.	Type	Std. Pk.
Mounting Plate (plastic)	186-008	TGMPI-2012	1
Mounting Plate (steel)	187-008	TGMPS-2012	1
DIN Rail – TS35-186	198-186	NS35-186	1
DIN Rail - TS15-186	197-186	TS15-186	1
Internal Hinge Kit Set (longside)	182-001	TGISS	1
Mounting Tab Kit	182-002	TGABL	1

Please refer to pages 149-152 additional accessories and detailed information



**Standard Features**

- **Protection Level:** IP67 (NEMA 4X)
- **Technical:** Smooth Sidewalls  
Gray or Transparent Cover  
Standard or Quick Turn Screws  
175 x 125 x 0.4 mm Recess in Cover  
Integrated Cover Retainer
- **UL Recognized Enclosure Materials:** ABS or Polycarbonate
- **Transparent Cover Material:** Polycarbonate
- **Gasket Material:** Polyurethane
- **Color:** Light Gray
- **Material Temperature Range:** ABS  
-40°C to 80°C (-40°F to 176°F)  
Polycarbonate  
-40°C to 120°C (-40°F to 248°F)
- **Accessories:** See section below



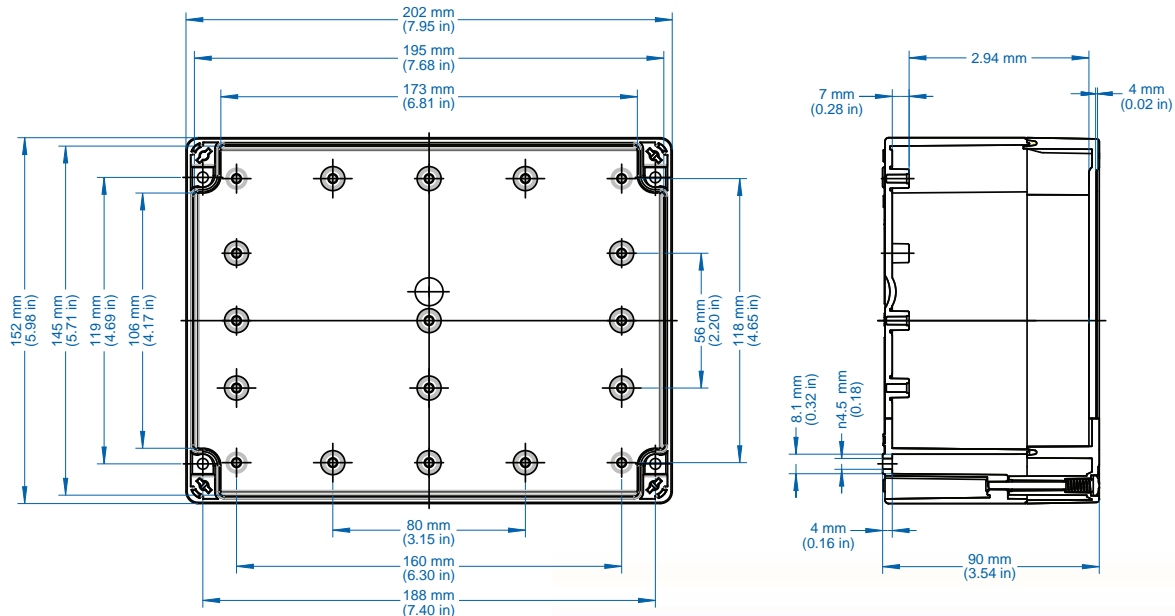
**TG**

Ordering Information	Cat. No. w/ Standard Screws	Cat. No. w/ Quick Turn Screws	Type	Length	Dimensions mm (in) Width	Height	Std. Pk.
<b>ABS</b>							
Gray cover	100-409-91	100-409-01	TGABS2015-9-o	202 mm (7.95 in.)	152 mm (5.98 in.)	90 mm (3.54 in.)	1
Transparent cover	101-009-91	101-009-01	TGABS2015-9-to	202 mm (7.95 in.)	152 mm (5.98 in.)	90 mm (3.54 in.)	1
<b>Polycarbonate</b>							
Gray cover	200-409-91	200-409-01	TGPC2015-9-o	202 mm (7.95 in.)	152 mm (5.98 in.)	90 mm (3.54 in.)	1
Transparent cover	201-009-91	201-009-01	TGPC2015-9-to	202 mm (7.95 in.)	152 mm (5.98 in.)	90 mm (3.54 in.)	1

**Accessories**

Ordering Information	Cat. No.	Type	Std. Pk.
Mounting Plate (plastic)	186-009	TGMPI-2015	1
Mounting Plate (steel)	187-009	TGMPS-2015	1
DIN Rail – TS35-170	198-170	NS35-170	1
DIN Rail - TS15-170	197-170	TS15-170	1
Internal Hinge Kit Set	182-001	TGISS	1
Mounting Tab Kit	182-002	TGABL	1

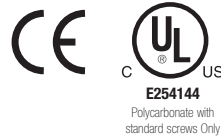
Please refer to pages 149-152 additional accessories and detailed information



# TG2516-9 – ABS and Polycarbonate – 252 x 162 x 90 mm (9.92 x 6.38 x 3.54 in.)

## Standard Features

- **Protection Level:** IP67 (NEMA 4X)
- **Technical:**
  - Smooth Sidewalls
  - Gray or Transparent Cover
  - Standard or Quick Turn Screws
  - 225 x 135 x 0.4 mm Recess in Cover
  - Integrated Cover Retainer
- **UL Recognized Enclosure Materials:** ABS or Polycarbonate
- **Transparent Cover Material:** Polycarbonate
- **Gasket Material:** Polyurethane
- **Color:** Light Gray
- **Material Temperature Range:**
  - ABS: -40°C to 80°C (-40°F to 176°F)
  - Polycarbonate: -40°C to 120°C (-40°F to 248°F)
- **Accessories:** See section below



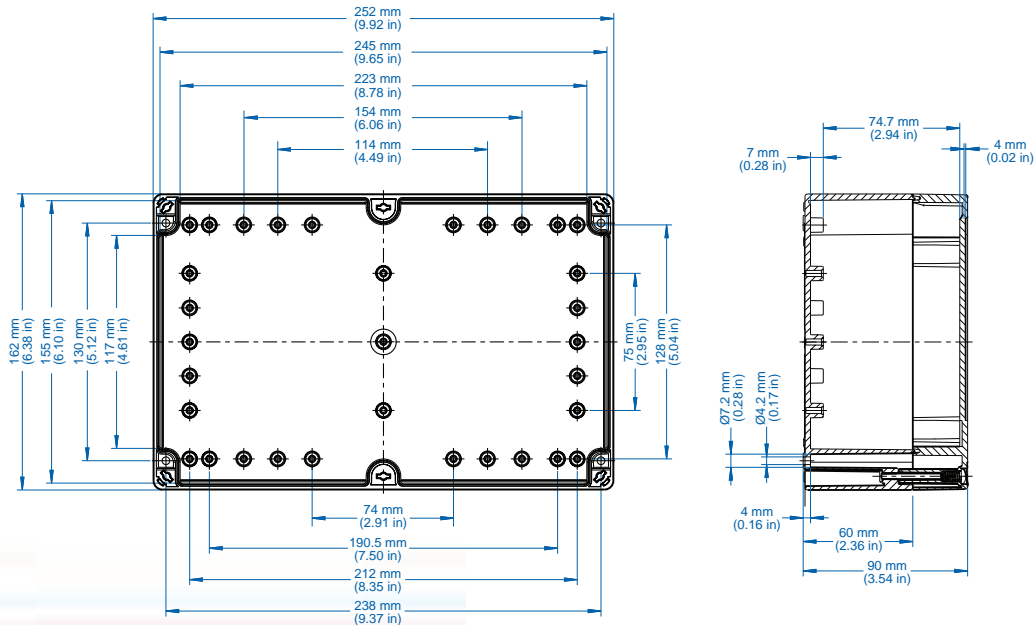
## TG

Ordering Information	Cat. No. w/ Standard Screws	Cat. No. w/ Quick Turn Screws	Type	Length	Dimensions mm (in) Width	Height	Std. Pk.
<b>ABS</b>							
Gray cover	100-412-91	100-412-01	TGABS2516-9-o	252 mm (9.92 in.)	162 mm (6.38 in.)	90 mm (3.54 in.)	1
Transparent cover	101-012-91	101-012-01	TGABS2516-9-to	252 mm (9.92 in.)	162 mm (6.38 in.)	90 mm (3.54 in.)	1
<b>Polycarbonate</b>							
Gray cover	200-412-91	200-412-01	TGPC2516-9-o	252 mm (9.92 in.)	162 mm (6.38 in.)	90 mm (3.54 in.)	1
Transparent cover	201-012-91	201-012-01	TGPC2516-9-to	252 mm (9.92 in.)	162 mm (6.38 in.)	90 mm (3.54 in.)	1

## Accessories

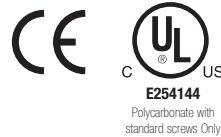
Ordering Information	Cat. No.	Type	Std. Pk.
Mounting Plate (plastic)	186-012	TGMPI-2516	1
Mounting Plate (steel)	187-012	TGMPS-2516	1
DIN Rail – TS35-222	198-222	NS35-222	1
DIN Rail - TS15-222	197-222	TS15-222	1
Internal Hinge Kit Set	182-001	TGISS	1
Mounting Tab Kit	182-002	TGABL	1

Please refer to pages 149-152 additional accessories and detailed information



**Standard Features**

- **Protection Level:** IP67 (NEMA 4X)
- **Technical:** Smooth Sidewalls  
Gray or Transparent Cover  
Standard or Quick Turn Screws  
225 x 135 x 0.4 mm Recess in Cover  
Integrated Cover Retainer
- **UL Recognized Enclosure Materials:** ABS or Polycarbonate
- **Transparent Cover Material:** Polycarbonate
- **Gasket Material:** Polyurethane
- **Color:** Light Gray
- **Material Temperature Range:** ABS  
-40°C to 80°C (-40°F to 176°F)  
Polycarbonate  
-40°C to 120°C (-40°F to 248°F)
- **Accessories:** See section below



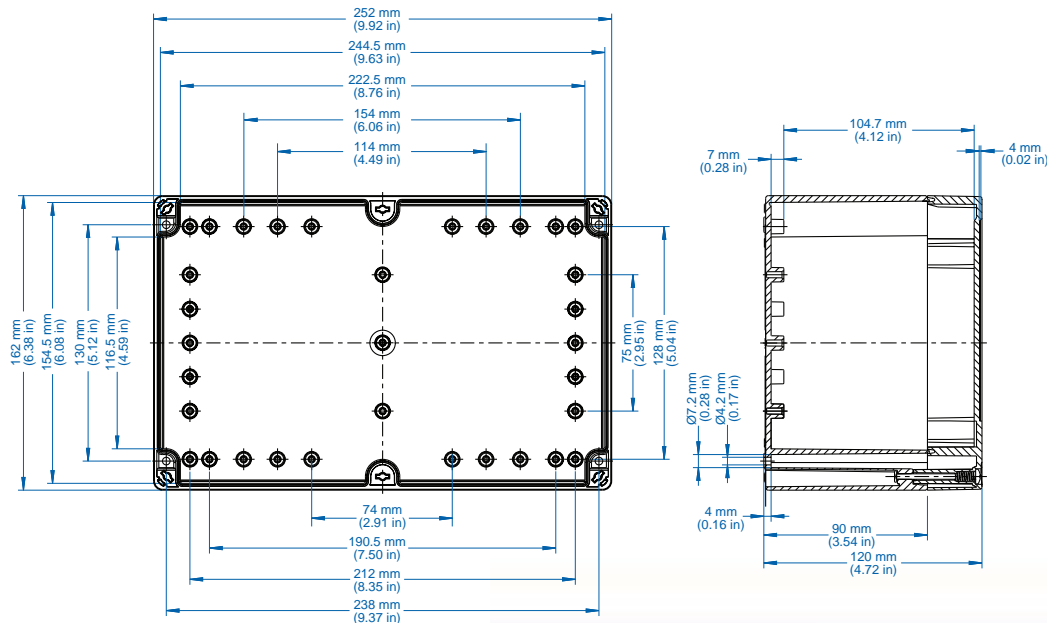
**TG**

Ordering Information	Cat. No. w/ Standard Screws	Cat. No. w/ Quick Turn Screws	Type	Length	Dimensions mm (in) Width	Height	Std. Pk.
<b>ABS</b>							
Gray cover	100-912-91	100-912-01	TGABS2516-12-o	252 mm (9.92 in.)	162 mm (6.38 in.)	120 mm (4.72 in.)	1
Transparent cover	101-512-91	101-512-01	TGABS2516-12-to	252 mm (9.92 in.)	162 mm (6.38 in.)	120 mm (4.72 in.)	1
<b>Polycarbonate</b>							
Gray cover	200-912-91	200-912-01	TGPC2516-12-o	252 mm (9.92 in.)	162 mm (6.38 in.)	120 mm (4.72 in.)	1
Transparent cover	201-512-91	201-512-01	TGPC2516-12-to	252 mm (9.92 in.)	162 mm (6.38 in.)	120 mm (4.72 in.)	1

**Accessories**

Ordering Information	Cat. No.	Type	Std. Pk.
Mounting Plate (plastic)	186-012	TGMPI-2516	1
Mounting Plate (steel)	187-012	TGMPS-2516	1
DIN Rail – TS35-222	198-222	NS35-222	1
DIN Rail - TS15-222	197-222	TS15-222	1
Internal Hinge Kit Set	182-001	TGISS	1
Mounting Tab Kit	182-002	TGABL	1

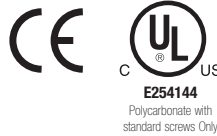
Please refer to pages 149-152 additional accessories and detailed information



# TG3023-9 – ABS and Polycarbonate – 302 x 232 x 90 mm (11.89 x 9.13 x 3.54 in.)

## Standard Features

- **Protection Level:** IP67 (NEMA 4X)
- **Technical:** Smooth Sidewalls  
Gray or Transparent Cover  
Standard or Quick Turn Screws  
275 x 205 x 0.4 mm Recess in Cover  
Integrated Cover Retainer
- **UL Recognized Enclosure Materials:** ABS or Polycarbonate
- **Transparent Cover Material:** Polycarbonate
- **Gasket Material:** Polyurethane
- **Color:** Light Gray
- **Material Temperature Range:** ABS  
-40°C to 80°C (-40°F to 176°F)  
Polycarbonate  
-40°C to 120°C (-40°F to 248°F)
- **Accessories:** See section below



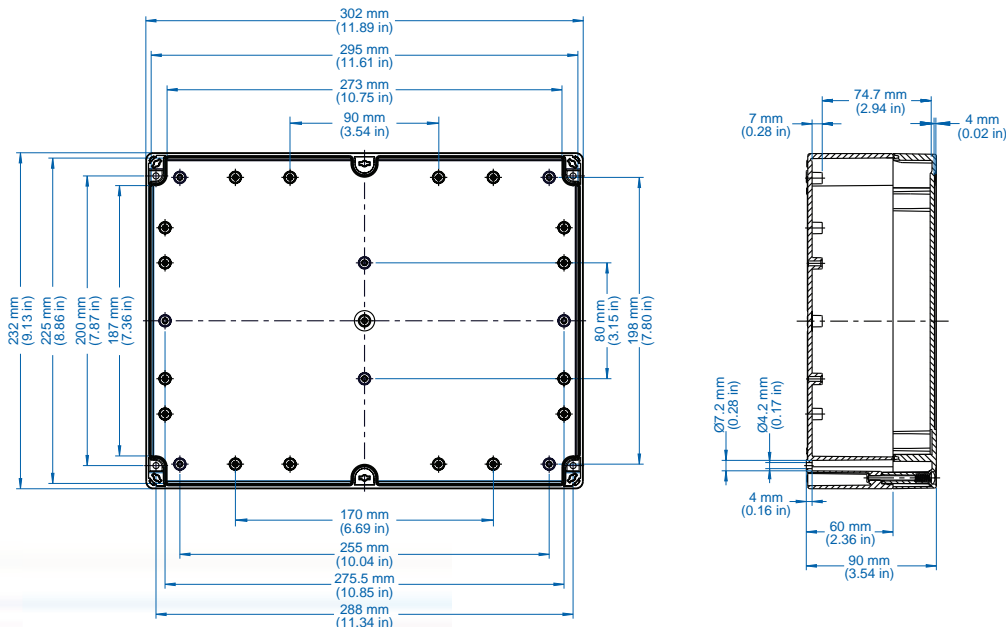
## TG

Ordering Information	Cat. No. w/ Standard Screws	Cat. No. w/ Quick Turn Screws	Type	Length	Dimensions mm (in) Width	Height	Std. Pk.
<b>ABS</b>							
Gray cover	100-413-91	100-413-01	TGABS3023-9-o	302 mm (11.89 in.)	232 mm (9.13 in.)	90 mm (3.54 in.)	1
Transparent cover	101-013-91	101-013-01	TGABS3023-9-to	302 mm (11.89 in.)	232 mm (9.13 in.)	90 mm (3.54 in.)	1
<b>Polycarbonate</b>							
Gray cover	200-413-91	200-413-01	TGPC3023-9-o	302 mm (11.89 in.)	232 mm (9.13 in.)	90 mm (3.54 in.)	1
Transparent cover	201-013-91	201-013-01	TGPC3023-9-to	302 mm (11.89 in.)	232 mm (9.13 in.)	90 mm (3.54 in.)	1

## Accessories

Ordering Information	Cat. No.	Type	Std. Pk.
Mounting Plate (plastic)	186-013	TGMPI-3023	1
Mounting Plate (steel)	187-013	TGMPS-3023	1
DIN Rail – TS35-285	198-285	NS35-285	1
DIN Rail - TS15-285	197-285	TS15-285	1
Internal Hinge Kit Set	182-001	TGISS	1
Mounting Tab Kit	182-002	TGABL	1

Please refer to pages 149-152 additional accessories and detailed information



**Standard Features**

- **Protection Level:** IP67 (NEMA 4X)
- **Technical:** Smooth Sidewalls  
Gray or Transparent Cover  
Standard or Quick Turn Screws  
275 x 205 x 0.4 mm Recess in Cover  
Integrated Cover Retainer
- **UL Recognized Enclosure Materials:** ABS or Polycarbonate
- **Transparent Cover Material:** Polycarbonate
- **Gasket Material:** Polyurethane
- **Color:** Light Gray
- **Material Temperature Range:** ABS  
-40°C to 80°C (-40°F to 176°F)  
Polycarbonate  
-40°C to 120°C (-40°F to 248°F)
- **Accessories:** See section below



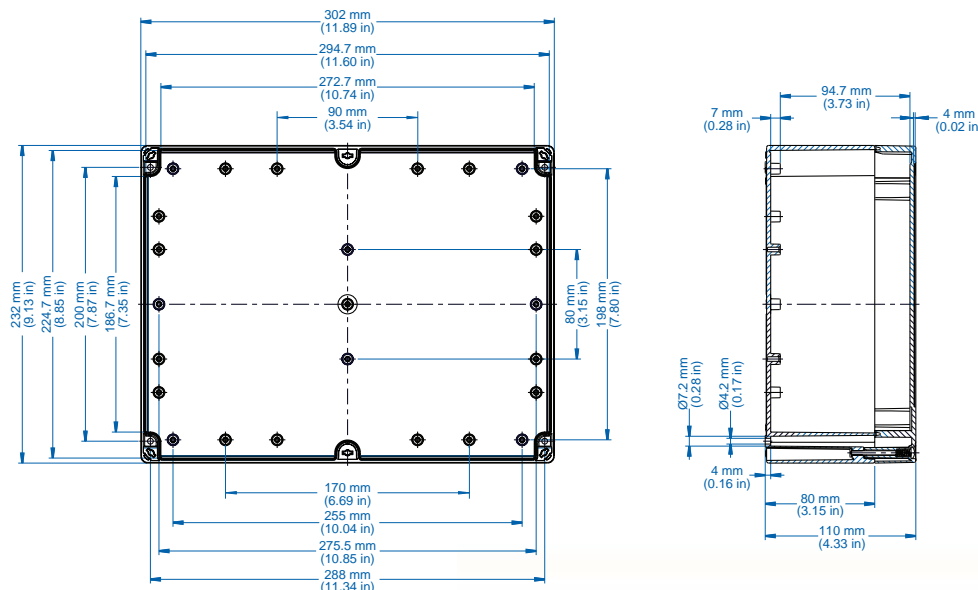
**TG**

Ordering Information	Cat. No. w/ Standard Screws	Cat. No. w/ Quick Turn Screws	Type	Length	Dimensions mm (in) Width	Height	Std. Pk.
<b>ABS</b>							
Gray cover	100-913-91	100-913-01	TGABS3023-11-o	302 mm (11.89 in.)	232 mm (9.13 in.)	110 mm (4.33 in.)	1
Transparent cover	101-513-91	101-513-01	TGABS3023-11-to	302 mm (11.89 in.)	232 mm (9.13 in.)	110 mm (4.33 in.)	1
<b>Polycarbonate</b>							
Gray cover	200-913-91	200-913-01	TGPC3023-11-o	302 mm (11.89 in.)	232 mm (9.13 in.)	110 mm (4.33 in.)	1
Transparent cover	201-513-91	201-513-01	TGPC3023-11-to	302 mm (11.89 in.)	232 mm (9.13 in.)	110 mm (4.33 in.)	1

**Accessories**

Ordering Information	Cat. No.	Type	Std. Pk.
Mounting Plate (plastic)	186-013	TGMPI-3023	1
Mounting Plate (steel)	187-013	TGMPS-3023	1
DIN Rail – TS35-285	198-285	NS35-285	1
DIN Rail - TS15-285	197-285	TS15-285	1
Internal Hinge Kit Set	182-001	TGISS	1
Mounting Tab Kit	182-002	TGABL	1

Please refer to pages 149-152 additional accessories and detailed information





# AL Series

The enclosures of the AL Series are constructed of cast aluminum material. The enclosure base and cover are connected with pre-mounted, stainless steel cover screws (compatible with both Phillips and straight blade screwdrivers). The foam seal in the key/slot system guarantees an IP66 ingress protection and long lasting service life. A high quality coating covers and protects the enclosure from weather and corrosion. Several international safety certificates insure the overall quality of the AL Series.

8 new enclosure sizes have been added to the AL series. These enclosures are called TK AL enclosures because the sizes were taken from the most popular sizes in the TK enclosure series. The inside dimensions match those of the comparable TK version. These new enclosures were also designed with UL approvals in mind. UL approval is currently pending on these parts but they will soon have UL listing with a NEMA 4X Type rating in early 2015.

The complete series of 24 enclosures ranges from 50 x 45 x 30 mm to 388 x 270 x 117 mm.

The exterior of the enclosure is protected by powder coating (silver-gray - RAL 7001) and combines an elegant appearance with outstanding protection against corrosion.

The enclosure material (Al Si 12) ensures both a high degree of impact resistance (>7Nm, DIN 50014) and continued operation in extreme temperatures.

The advantages of the AL Series include:

- IP66 protection, which is necessary for industry approval.
- High degree of resistance to chemicals and other damaging materials.
- Protection against electromagnetic interference (EMI).



The specially designed AL Series accessories make the AL Enclosures flexible and highly secure.

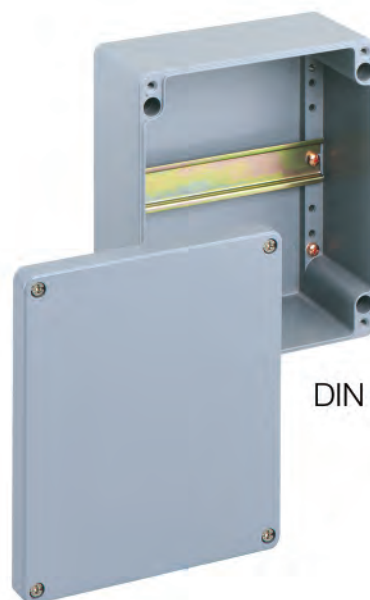
The external mounting tabs allow for solid and safe wall mounting of the AL Enclosures. The installation of the clamps to the enclosure can be varied up to 90 degrees.

Through the use of external hinges, the covers of the AL Series can be converted into hinged doors. This is especially useful when devices such as push-button systems are integrated into the enclosure. The external hinges, constructed of cast aluminum can be swiveled up to 150 degrees.

With the help of the steel mounting plates, even large and heavy components can be securely mounted. The mounting plates are available from enclosures AL 88-6 and larger.



External Hinges\*

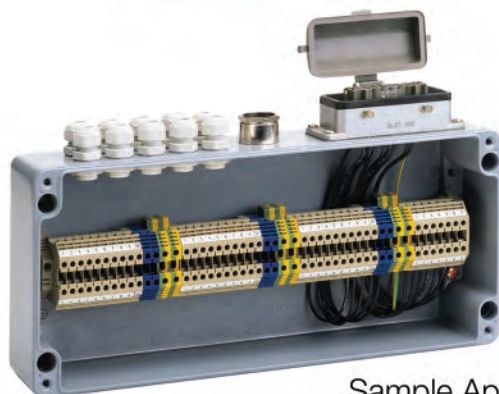


DIN Rail\*

Sample Application



External Mounting Tabs\*



Sample Application

\* sold separately

## AL 55-3 – Aluminum – 50 x 45 mm (1.97 x 1.77 in.)

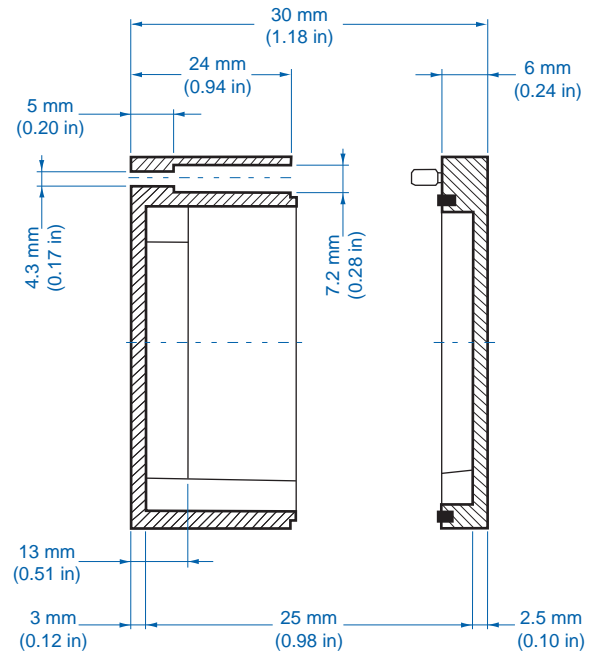
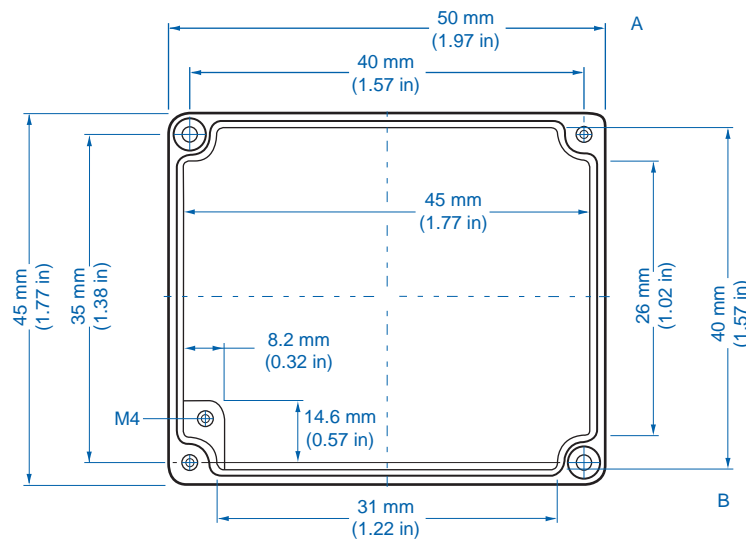
### Standard Features

- **Protection Level:** IP66
- **Technical:** Smooth Sidewalls
- **Enclosure Material:** Cast Aluminum, Al Si 12
- **Gasket Material:** Polyurethane
- **Temperature Range:** -35°C to 80°C (-31°F to 176°F)
- **Color:** Silver Gray, RAL 7001
- **Accessories:** See section below



### Aluminum

Ordering Information	Cat. No.	Type	Length	Dimensions mm (in)		Std. Pk.
				Width	Height	
Enclosure	150-001	AL 55-3	50 mm (1.97 in)	45 mm (1.77 in)	30 mm (1.18 in)	1



**Standard Features**

- **Protection Level:** IP66
- **Technical:** Smooth Sidewalls
- **Enclosure Material:** Cast Aluminum, Al Si 12
- **Gasket Material:** Polyurethane
- **Temperature Range:** -35°C to 80°C (-31°F to 176°F)
- **Color:** Silver Gray, RAL 7001
- **Accessories:** See section below



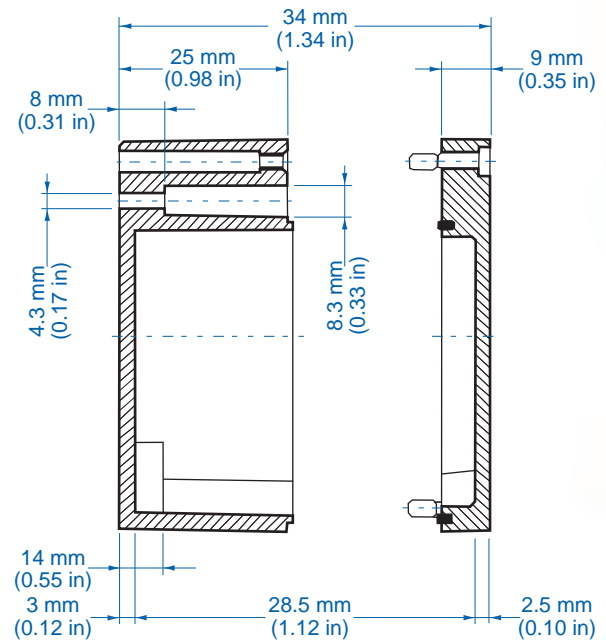
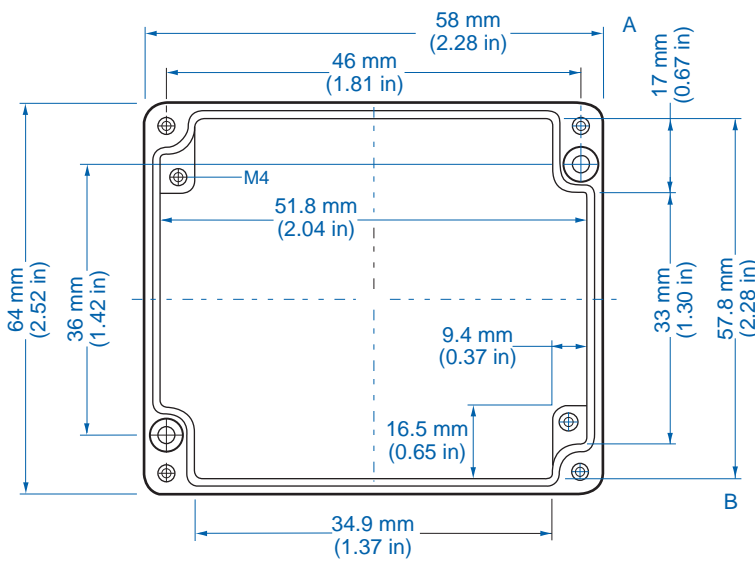
**Aluminum**

Ordering Information	Cat. No.	Type	Length	Dimensions mm (in)		Std. Pk.
				Width	Height	
Enclosure	150-002	AL 66-3	64 mm (2.52 in)	58 mm (2.28 in)	34 mm (1.34 in)	1

**Accessories**

Ordering Information	Cat. No.	Type	Std. Pk.
Mounting Tab Kit - small	154-004	MT-AL1	1

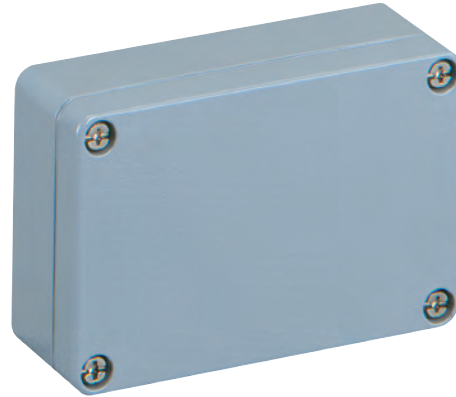
Please refer to pages 149-152 for additional accessories and detailed information.



## AL 1006-3 – Aluminum – 98 x 64 mm (3.86 x 2.52 in.)

### Standard Features

- **Protection Level:** IP66
- **Technical:** Smooth Sidewalls
- **Enclosure Material:** Cast Aluminum, Al Si 12
- **Gasket Material:** Polyurethane
- **Temperature Range:** -35°C to 80°C (-31°F to 176°F)
- **Color:** Silver Gray, RAL 7001
- **Accessories:** See section below



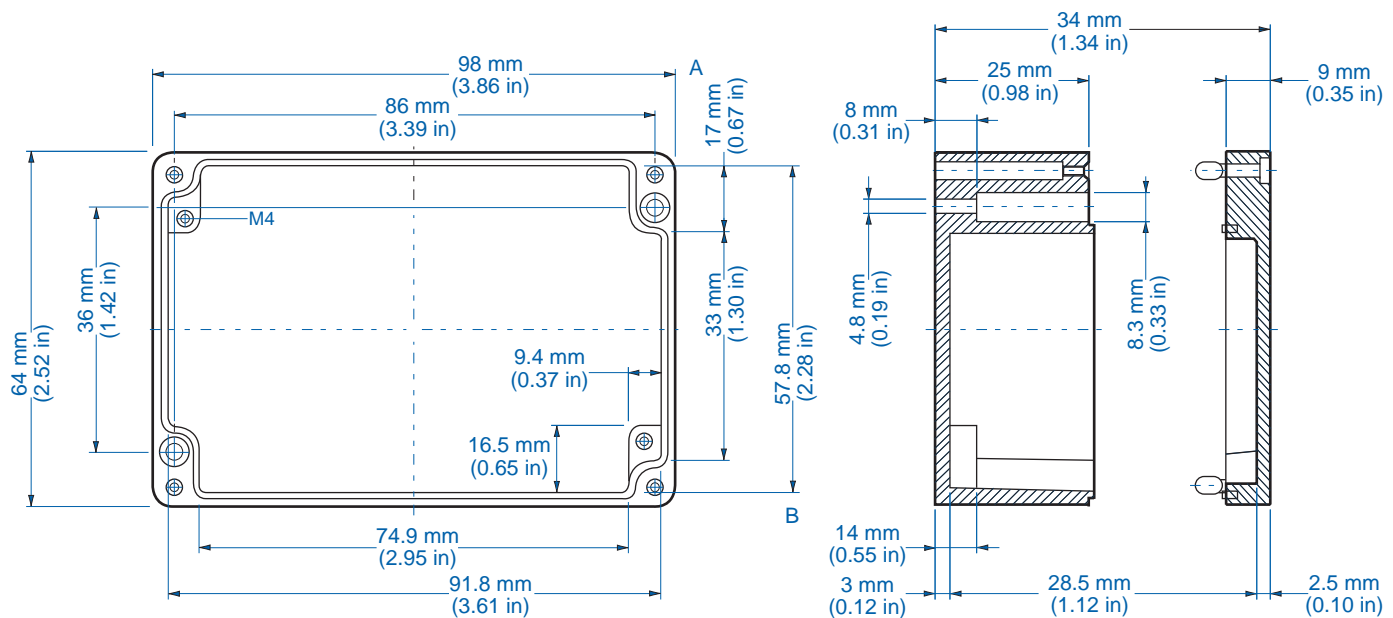
### Aluminum

Ordering Information	Cat. No.	Type	Length	Dimensions mm (in)		Std. Pk.
				Width	Height	
Enclosure	150-003	AL 1006-3	98 mm (3.86 in)	64 mm (2.52 in)	34 mm (1.34 in)	1

### Accessories

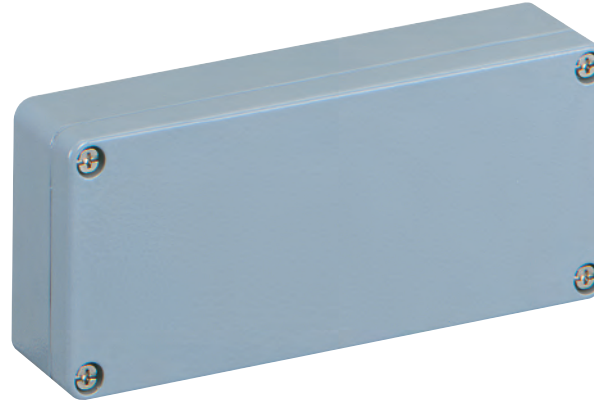
Ordering Information	Cat. No.	Type	Std. Pk.
Mounting Tab Kit - small	154-004	MT-AL1	1

Please refer to pages 149-152 for additional accessories and detailed information.



**Standard Features**

- **Protection Level:** IP66
- **Technical:** Smooth Sidewalls
- **Enclosure Material:** Cast Aluminum, Al Si 12
- **Gasket Material:** Polyurethane
- **Temperature Range:** -35°C to 80°C (-31°F to 176°F)
- **Color:** Silver Gray, RAL 7001
- **Accessories:** See section below



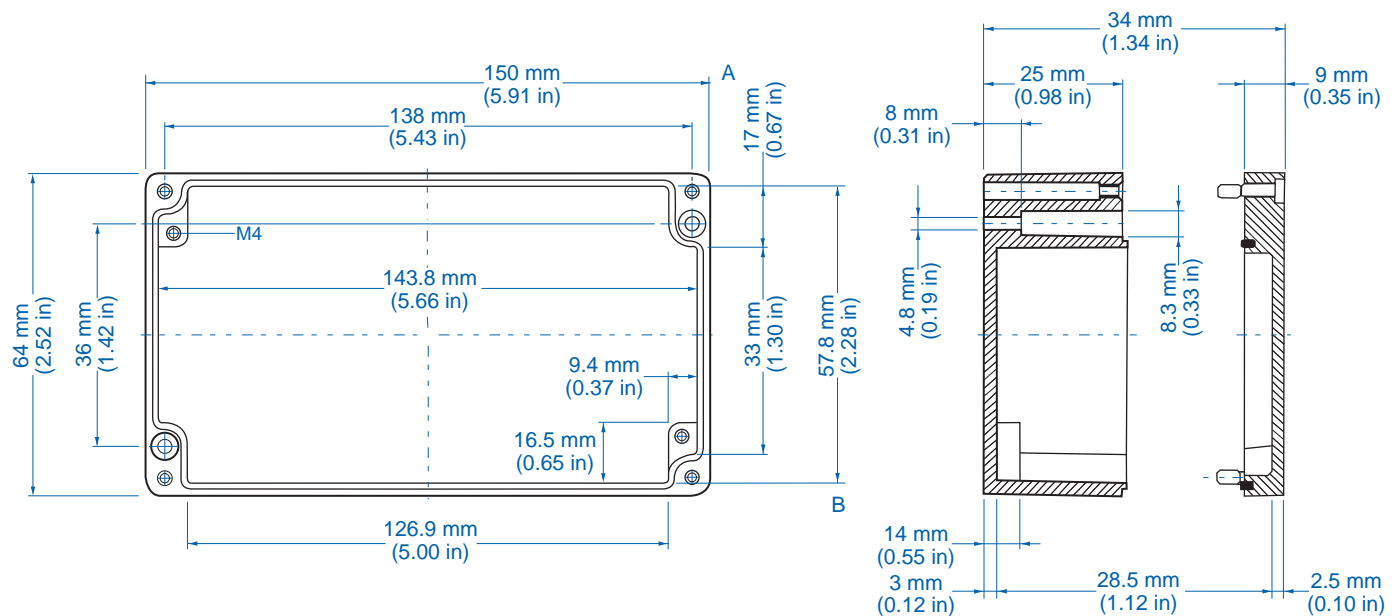
**Aluminum**

Ordering Information	Cat. No.	Type	Length	Dimensions mm (in)		Std. Pk.
				Width	Height	
Enclosure	150-004	AL 1506-3	150 mm (5.91 in)	64 mm (2.52 in)	34 mm (1.34 in)	1

**Accessories**

Ordering Information	Cat. No.	Type	Std. Pk.
Mounting Tab Kit- small	154-004	MT-AL1	1

Please refer to pages 149-152 for additional accessories and detailed information.



## AL 88-6 – Aluminum – 80 x 75 mm (3.15 x 2.95 in.)

### Standard Features

- **Protection Level:** IP66
- **Technical:** Smooth Sidewalls
- **Enclosure Material:** Cast Aluminum, Al Si 12
- **Gasket Material:** Polyurethane
- **Temperature Range:** -35°C to 80°C (-31°F to 176°F)
- **Color:** Silver Gray, RAL 7001
- **Accessories:** See section below



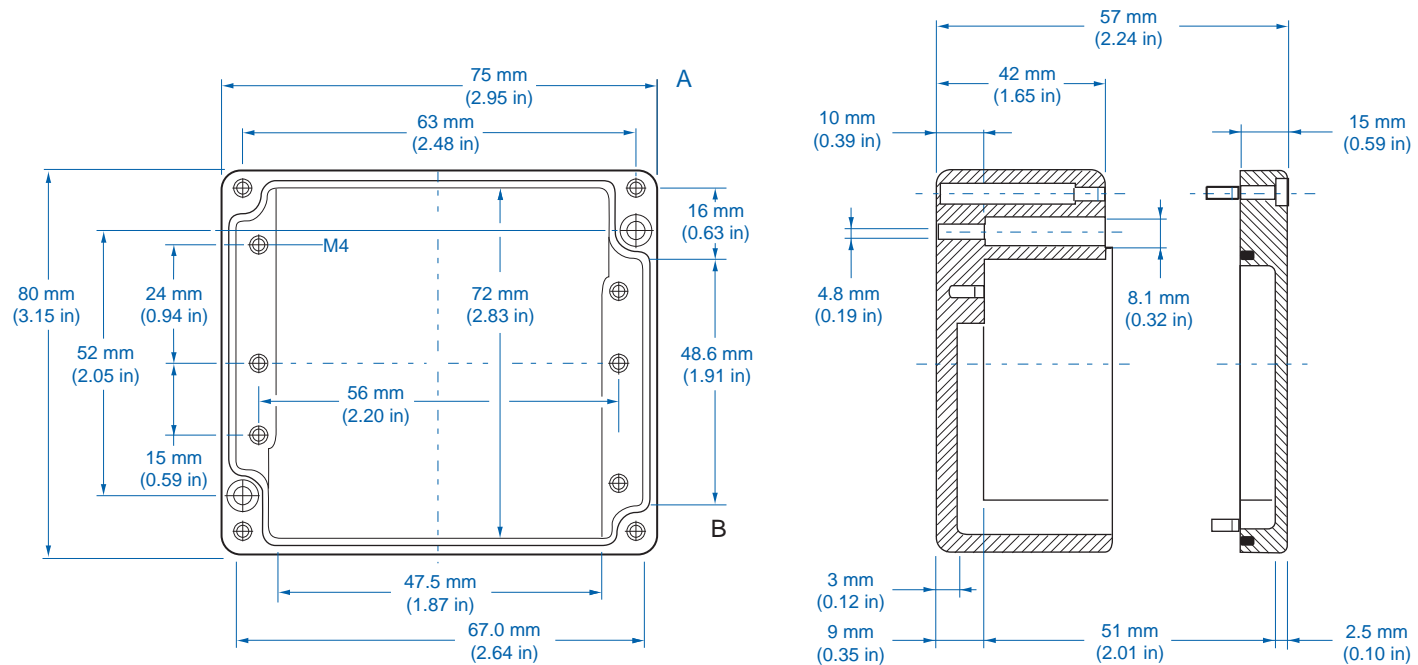
### Aluminum

Ordering Information	Cat. No.	Type	Length	Dimensions mm (in)		Std. Pk.
				Width	Height	
Enclosure	150-005	AL 88-6	80 mm (3.15 in)	75 mm (2.95 in)	57 mm (2.24 in)	1

### Accessories

Ordering Information	Cat. No.	Type	Std. Pk.
Mounting Plate	155-005	ALMPS-88	1
Mounting Tab Kit - small	154-004	MT-AL1	1

Please refer to pages 149-152 for additional accessories and detailed information.





**Standard Features**

- **Protection Level:** IP66
- **Technical:** Smooth Sidewalls
- **Enclosure Material:** Cast Aluminum, Al Si 12
- **Gasket Material:** Silicone
- **Temperature Range:** -35°C to 80°C (-31°F to 176°F)
- **Color:** Silver Gray, RAL 7001
- **Accessories:** See section below



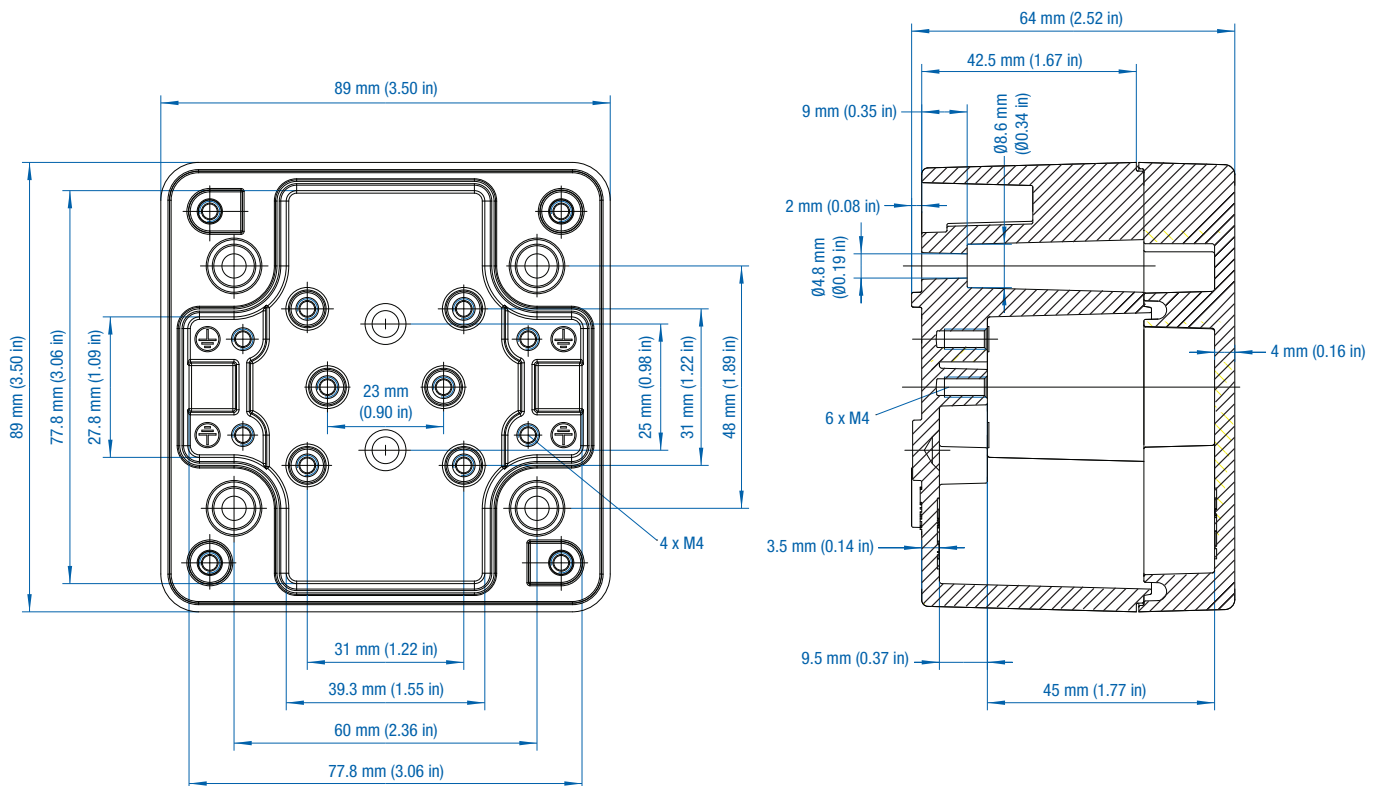
**Aluminum**

Ordering Information	Cat. No.	Type	Length	Dimensions mm (in)		Std. Pk.
				Width	Height	
Enclosure	151-001	TKAL77-6	89 mm (3.50 in)	89 mm (3.50 in)	64 mm (2.52 in)	1

**Accessories**

Ordering Information	Cat. No.	Type	Std. Pk.
Mounting Plate (plastic)	195-001	TKMPI-77	1
Mounting Plate (steel)	197-001	TKMPS-77	1
DIN Rail TS15-49.5 mm	197-049	TS15/49.5	1
Mounting Tab Kit - small	154-004	MT-AL1	1

Please refer to pages 149-152 for additional accessories and detailed information.



## AL 1308-6 – Aluminum – 125 x 80 mm (4.92 x 3.15 in.)

### Standard Features

- **Protection Level:** IP66
- **Technical:** Smooth Sidewalls
- **Enclosure Material:** Cast Aluminum, Al Si 12
- **Gasket Material:** Polyurethane
- **Temperature Range:** -35°C to 80°C (-31°F to 176°F)
- **Color:** Silver Gray, RAL 7001
- **Accessories:** See section below



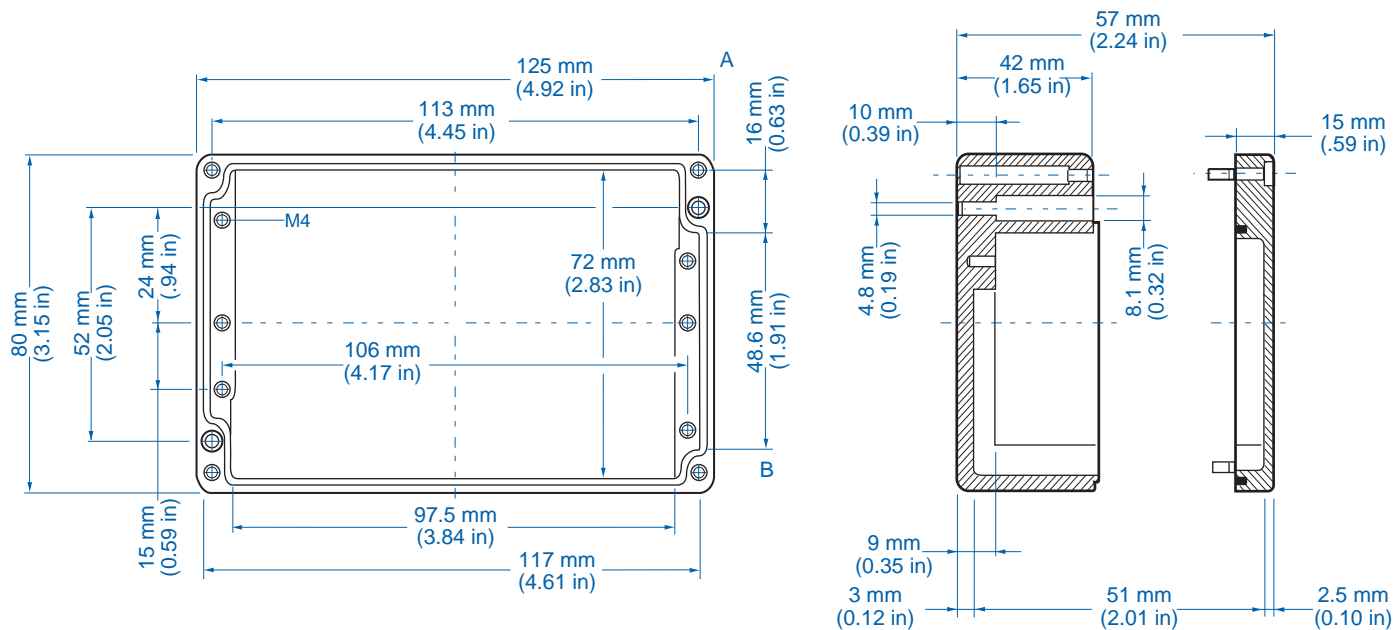
### Aluminum

Ordering Information	Cat. No.	Type	Length	Dimensions mm (in)		Std. Pk.
				Width	Height	
Enclosure	150-006	AL 1308-6	125 mm (4.92 in)	80 mm (3.15 in)	57 mm (2.24 in)	1

### Accessories

Ordering Information	Cat. No.	Type	Std. Pk.
Mounting Plate	155-006	ALMPS-1308	1
Mounting Tab Kit - small	154-004	MT-AL1	1

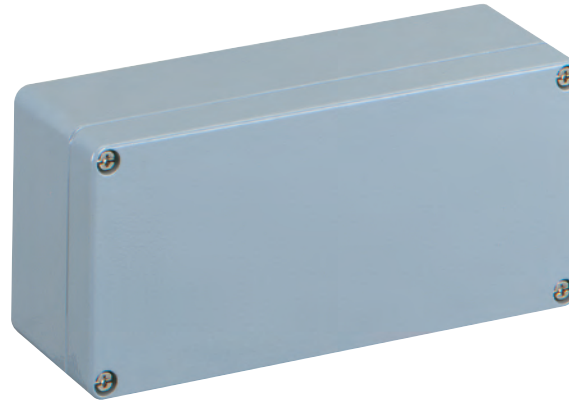
Please refer to pages 149-152 for additional accessories and detailed information.





**Standard Features**

- **Protection Level:** IP66
- **Technical:** Smooth Sidewalls
- **Enclosure Material:** Cast Aluminum, Al Si 12
- **Gasket Material:** Polyurethane
- **Temperature Range:** -35°C to 80°C (-31°F to 176°F)
- **Color:** Silver Gray, RAL 7001
- **Accessories:** See section below



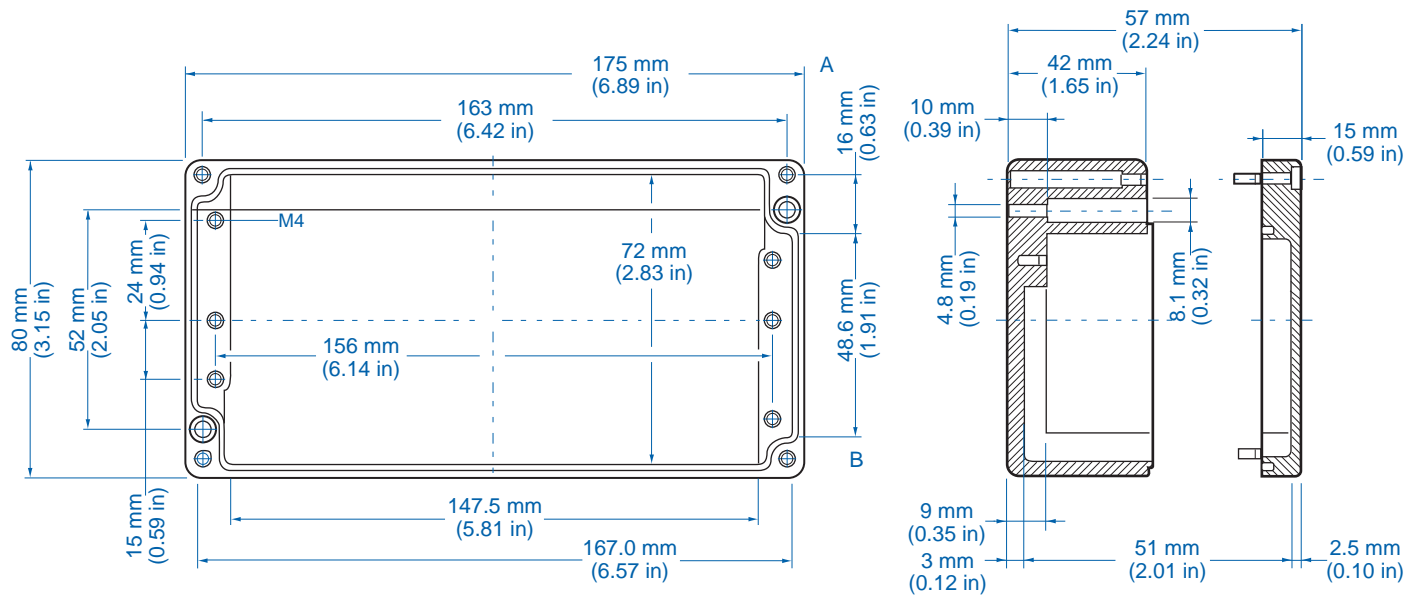
**Aluminum**

Ordering Information	Cat. No.	Type	Length	Dimensions mm (in)		Std. Pk.
				Width	Height	
Enclosure	150-007	AL 1808-6	175 mm (6.89 in)	80 mm (3.15 in)	57 mm (2.24 in)	1

**Accessories**

Ordering Information	Cat. No.	Type	Std. Pk.
Mounting Plate	155-007	ALMPS-1808	1
Mounting Tab Kit - small	154-004	MT-AL1	1

Please refer to pages 149-152 for additional accessories and detailed information.



# AL 1010-8 – Aluminum – 100 x 100 mm (3.94 x 3.94 in.)

## Standard Features

- **Protection Level:** IP66
- **Technical:** Smooth Sidewalls
- **Enclosure Material:** Cast Aluminum, Al Si 12
- **Gasket Material:** Polyurethane
- **Temperature Range:** -35°C to 80°C (-31°F to 176°F)
- **Color:** Silver Gray, RAL 7001
- **Accessories:** See section below



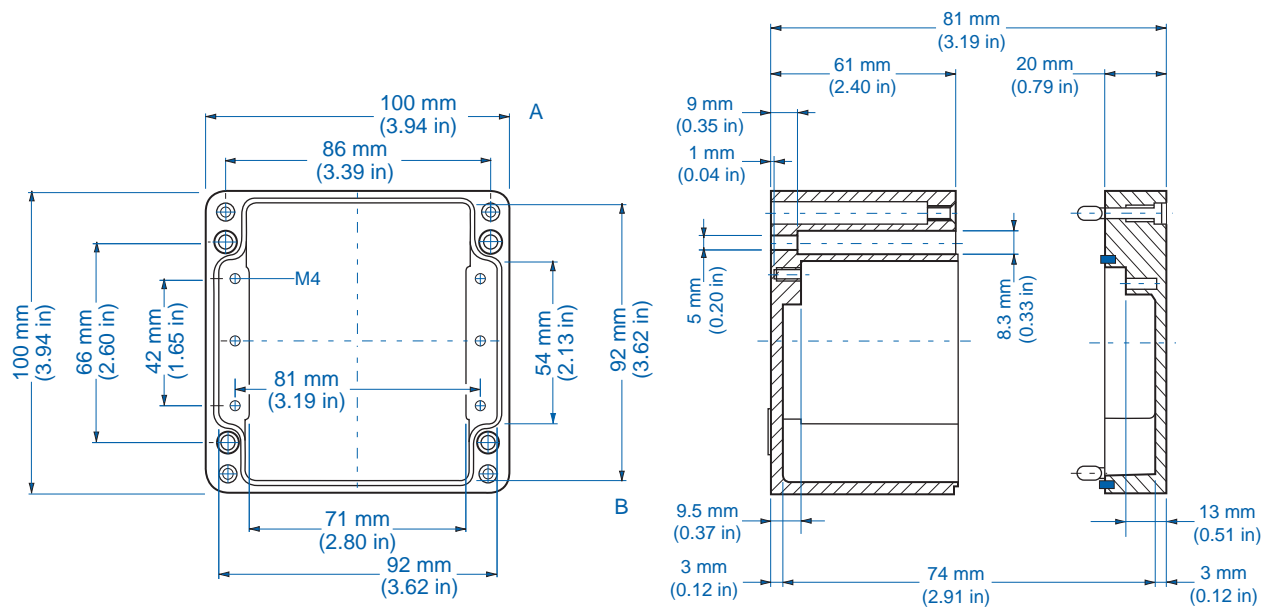
## Aluminum

Ordering Information	Cat. No.	Type	Length	Dimensions mm (in)		Std. Pk.
				Width	Height	
Enclosure	150-008	AL 1010-8	100 mm (3.94 in)	100 mm (3.94 in)	80 mm (3.15 in)	1

## Accessories

Ordering Information	Cat. No.	Type	Std. Pk.
Mounting Plate	155-008	ALMPS-1010	1
Hinge Kit Set	154-210	HK-AL	1
Mounting Tab Kit - small	154-004	MT-AL1	1

Please refer to pages 149-152 for additional accessories and detailed information.





**Standard Features**

- **Protection Level:** IP66
- **Technical:** Smooth Sidewalls
- **Enclosure Material:** Cast Aluminum, Al Si 12
- **Gasket Material:** Silicone
- **Temperature Range:** -35°C to 80°C (-31°F to 176°F)
- **Color:** Silver Gray, RAL 7001
- **Accessories:** See section below



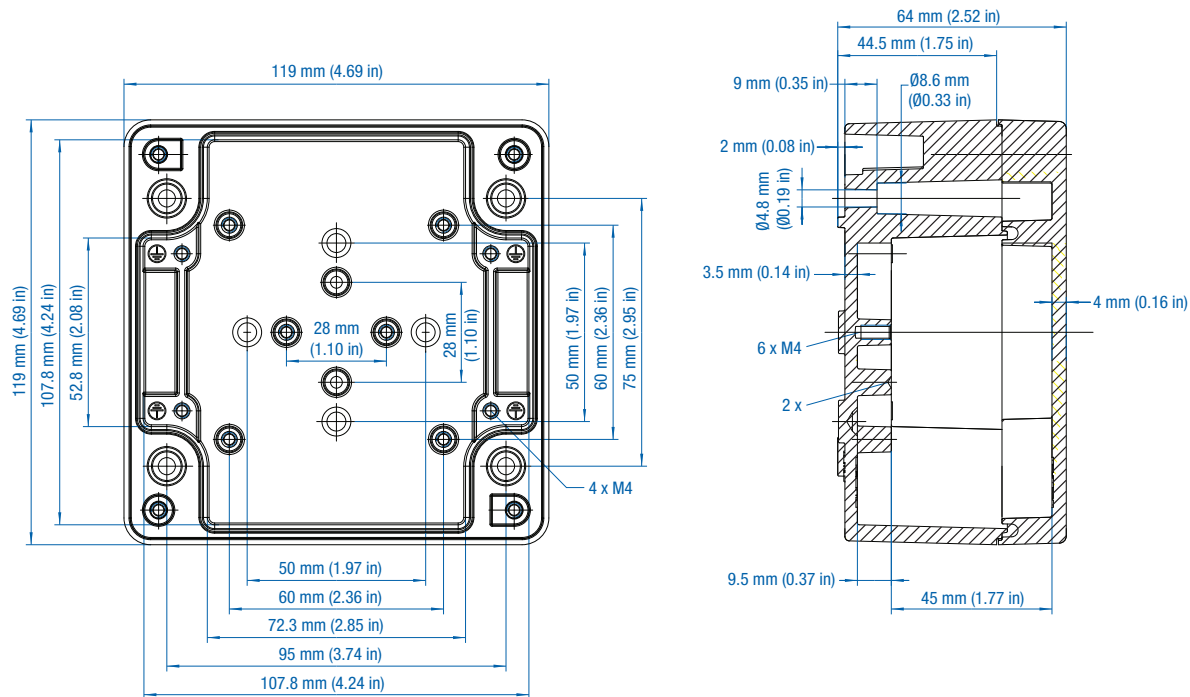
**Aluminum**

Ordering Information	Cat. No.	Type	Length	Dimensions mm (in)		Std. Pk.
				Width	Height	
Enclosure	151-003	TKAL99-6	119 mm (4.69 in)	119 mm (4.69 in)	64 mm (2.52 in)	1

**Accessories**

Ordering Information	Cat. No.	Type	Std. Pk.
Mounting Plate (plastic)	195-003	TKMPI-99	1
Mounting Plate (steel)	197-003	TKMPS-99	1
DIN Rail TS15-80 mm	197-080	TS15/80	1
Mounting Tab Kit - small	154-004	MT-AL1	1

Please refer to pages 149-152 for additional accessories and detailed information.



## AL 1212-8 – Aluminum – 122 x 120 mm (4.80 x 4.72 in.)

### Standard Features

- **Protection Level:** IP66
- **Technical:** Smooth Sidewalls
- **Enclosure Material:** Cast Aluminum, Al Si 12
- **Gasket Material:** Polyurethane
- **Temperature Range:** -35°C to 80°C (-31°F to 176°F)
- **Color:** Silver Gray, RAL 7001
- **Accessories:** See section below



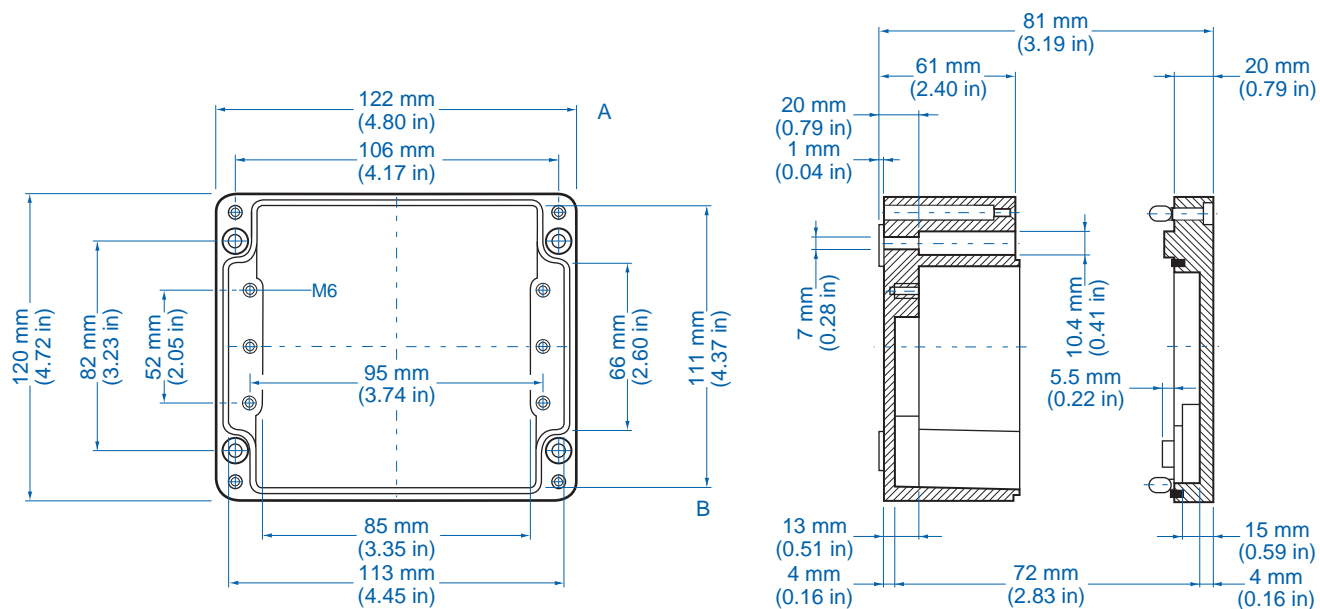
### Aluminum

Ordering Information	Cat. No.	Type	Length	Dimensions mm (in)		Std. Pk.
				Width	Height	
Enclosure	150-009	AL 1212-8	122 mm (4.80 in)	120 mm (4.72 in)	80 mm (3.15 in)	1

### Accessories

Ordering Information	Cat. No.	Type	Std. Pk.
Mounting Plate	155-009	ALMPS-1212	1
Hinge Kit Set	154-210	HK-AL	1
DIN Rail TS 35 - 35 x 110 mm	162-009	TS35/110	1
Mounting Tab Kit - large	154-006	MT-AL2	1

Please refer to pages 149-152 for additional accessories and detailed information.





**Standard Features**

- **Protection Level:** IP66
- **Technical:** Smooth Sidewalls
- **Enclosure Material:** Cast Aluminum, Al Si 12
- **Gasket Material:** Silicone
- **Temperature Range:** -35°C to 80°C (-31°F to 176°F)
- **Color:** Silver Gray, RAL 7001
- **Accessories:** See section below



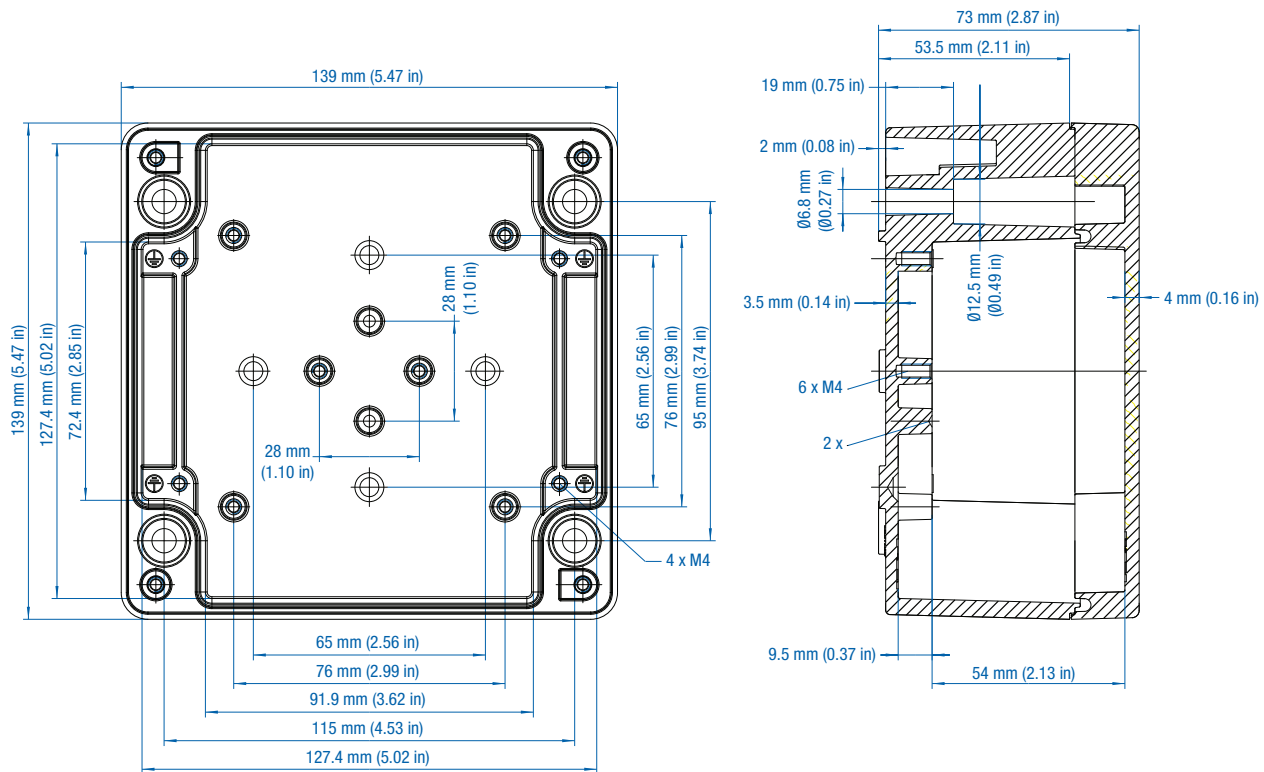
**Aluminum**

Ordering Information	Cat. No.	Type	Length	Dimensions mm (in)		Std. Pk.
				Width	Height	
Enclosure	151-004	TKAL1111-7	139 mm (5.47 in)	139 mm (5.47 in)	73 mm (2.87 in)	1

**Accessories**

Ordering Information	Cat. No.	Type	Std. Pk.
Mounting Plate (plastic)	195-004	TKMPI-1111	1
Mounting Plate (steel)	197-004	TKMPS-1111	1
DIN Rail TS 35 - 81 mm	198-081	TS35/81	1
DIN Rail TS 15 - 92 mm	197-092	TS15/92	1
Mounting Tab Kit - large	154-006	MT-AL2	1

Please refer to pages 149-152 for additional accessories and detailed information.



# TKAL1313-7 – Aluminum – 154 x 154 mm (6.06 x 6.06 in.)



## Standard Features

- **Protection Level:** IP66
- **Technical:** Smooth Sidewalls
- **Enclosure Material:** Cast Aluminum, Al Si 12
- **Gasket Material:** Silicone
- **Temperature Range:** -35°C to 80°C (-31°F to 176°F)
- **Color:** Silver Gray, RAL 7001
- **Accessories:** See section below



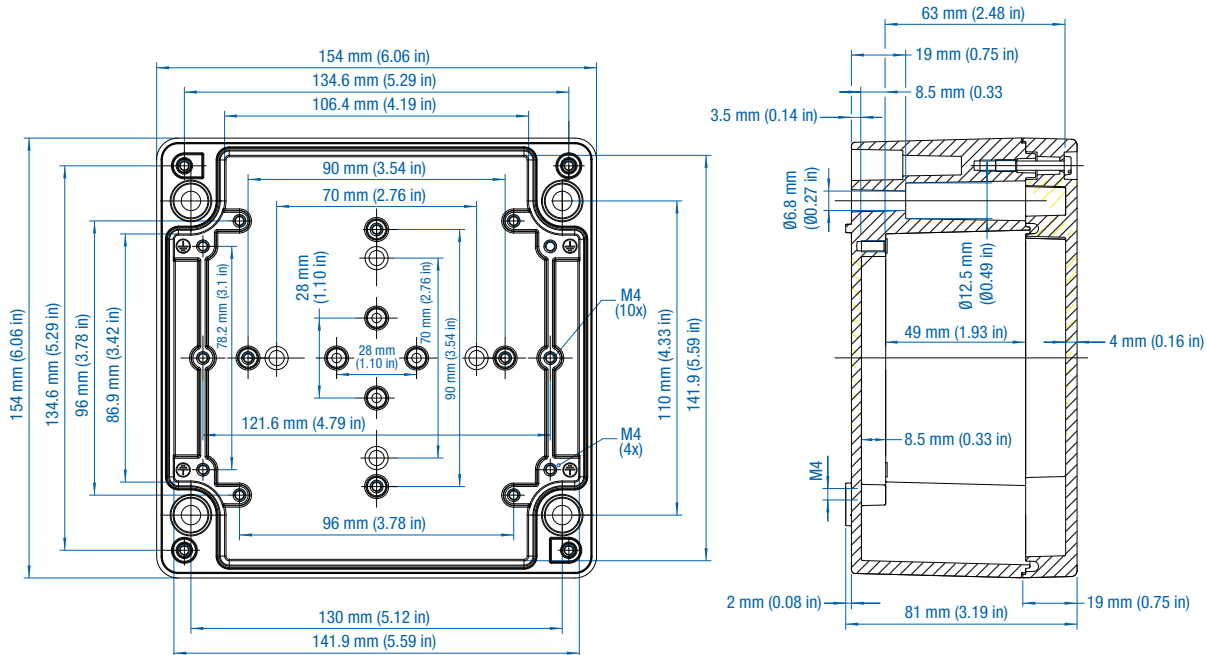
## Aluminum

Ordering Information	Cat. No.	Type	Length	Dimensions mm (in) Width	Height	Std. Pk.
Enclosure	151-005	TKAL1313-7	154 mm (6.06 in)	154 mm (6.06 in)	81 mm (3.19 in)	1

## Accessories

Ordering Information	Cat. No.	Type	Std. Pk.
Mounting Plate (plastic)	195-005	TKMPI-1313	1
Mounting Plate (steel)	197-005	TKMPS-1313	1
Hinge Kit Set	154-210	HK-AL	1
DIN Rail TS 35 - 106 mm	198-106	TS35/106	1
DIN Rail TS 15 - 111 mm	197-111	TS15/111	1
Mounting Tab Kit - large	154-006	MT-AL2	1

Please refer to pages 149-152 for additional accessories and detailed information.





**Standard Features**

- **Protection Level:** IP66
- **Technical:** Smooth Sidewalls
- **Enclosure Material:** Cast Aluminum, Al Si 12
- **Gasket Material:** Silicone
- **Temperature Range:** -35°C to 80°C (-31°F to 176°F)
- **Color:** Silver Gray, RAL 7001
- **Accessories:** See section below



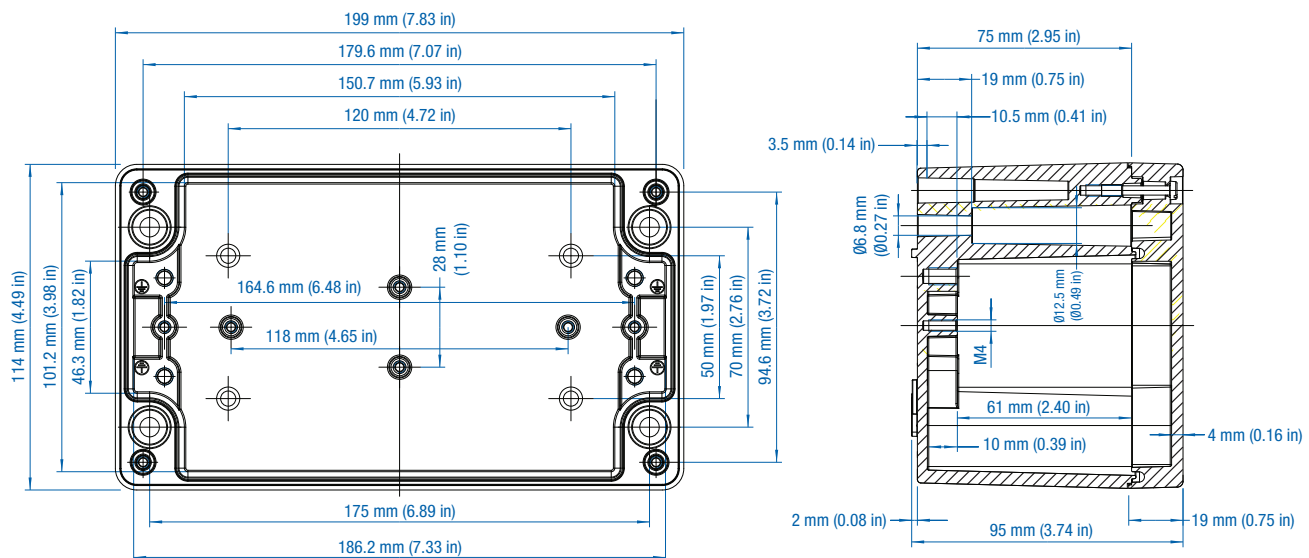
**Aluminum**

Ordering Information	Cat. No.	Type	Length	Dimensions mm (in)		Std. Pk.
				Width	Height	
Enclosure	151-006	TKAL1811-9	199 mm (7.83 in)	114 mm (4.49 in)	95 mm (3.74 in)	1

**Accessories**

Ordering Information	Cat. No.	Type	Std. Pk.
Mounting Plate (plastic)	195-006	TKMPI-1811	1
Mounting Plate (steel)	197-006	TKMPS-1811	1
Hinge Kit Set	154-210	HK-AL	1
DIN Rail TS 35 - 144 mm	198-144	TS35/144	1
Mounting Tab Kit - large	154-006	MT-AL2	1

Please refer to pages 149-152 for additional accessories and detailed information.



## AL 2212-8 – Aluminum – 220 x 120 mm (8.66 x 4.72 in.)

### Standard Features

- **Protection Level:** IP66
- **Technical:** Smooth Sidewalls
- **Enclosure Material:** Cast Aluminum, Al Si 12
- **Gasket Material:** Polyurethane
- **Temperature Range:** -35°C to 80°C (-31°F to 176°F)
- **Color:** Silver Gray, RAL 7001
- **Accessories:** See section below



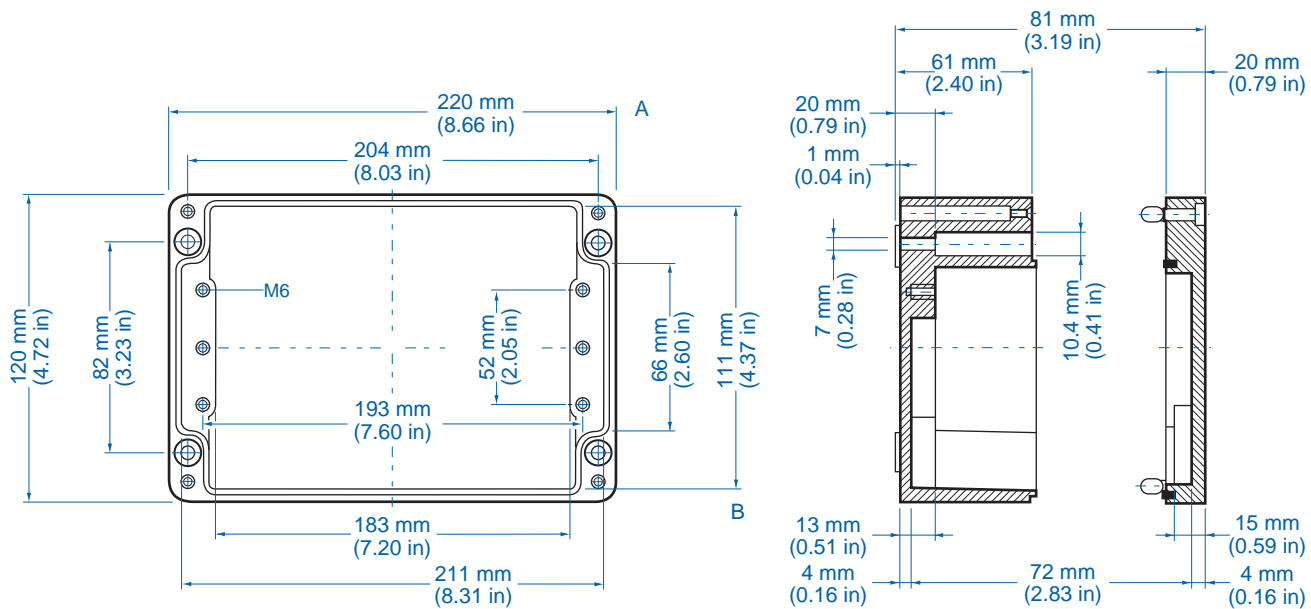
### Aluminum

Ordering Information	Cat. No.	Type	Length	Dimensions mm (in)		Std. Pk.
				Width	Height	
Enclosure	150-010	AL 2212-8	220 mm (8.66 in)	120 mm (4.72 in)	80 mm (3.15 in)	1

### Accessories

Ordering Information	Cat. No.	Type	Std. Pk.
Mounting Plate	155-010	ALMPS-2212	1
Hinge Kit Set	154-210	HK-AL	1
DIN Rail TS 35 - 35 x 208mm	162-010	TS35/208	1
Mounting Tab Kit - large	154-006	MT-AL2	1

Please refer to pages 149-152 for additional accessories and detailed information.





**Standard Features**

- **Protection Level:** IP66
- **Technical:** Smooth Sidewalls
- **Enclosure Material:** Cast Aluminum, Al Si 12
- **Gasket Material:** Polyurethane
- **Temperature Range:** -35°C to 80°C (-31°F to 176°F)
- **Color:** Silver Gray, RAL 7001
- **Accessories:** See section below



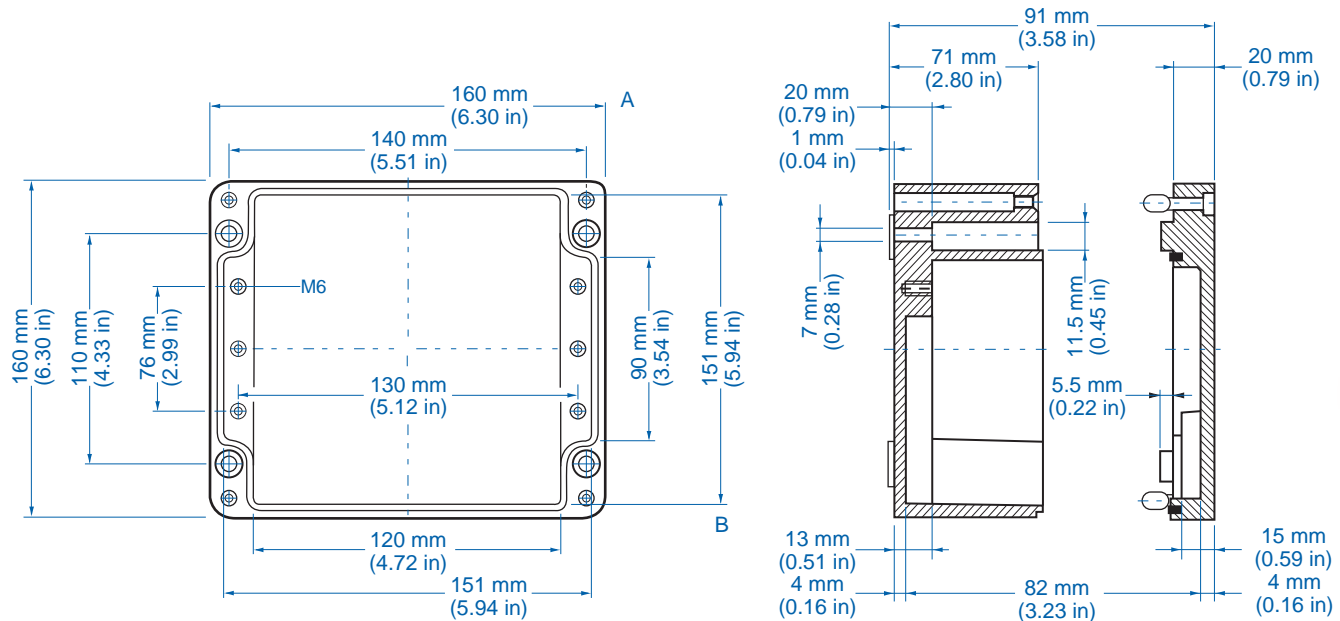
**Aluminum**

Ordering Information	Cat. No.	Type	Length	Dimensions mm (in)			Std. Pk.
				Width	Height		
Enclosure	150-011	AL 1616-9	160 mm (6.30 in)	160 mm (6.30 in)	90 mm (3.54 in)	1	

**Accessories**

Ordering Information	Cat. No.	Type	Std. Pk.
Mounting Plate	155-011	ALMPS-1616	1
Hinge Kit Set	154-210	HK-AL	1
DIN Rail TS 35 - 35 x 145mm	162-011	TS35/145	1
Mounting Tab Kit - large	154-006	MT-AL2	1

Please refer to pages 149-152 for additional accessories and detailed information.



# TKAL1818-9 – Aluminum – 199 x 199 mm (7.83 x 7.83 in.)



## Standard Features

- **Protection Level:** IP66
- **Technical:** Smooth Sidewalls
- **Enclosure Material:** Cast Aluminum, Al Si 12
- **Gasket Material:** Silicone
- **Temperature Range:** -35°C to 80°C (-31°F to 176°F)
- **Color:** Silver Gray, RAL 7001
- **Accessories:** See section below



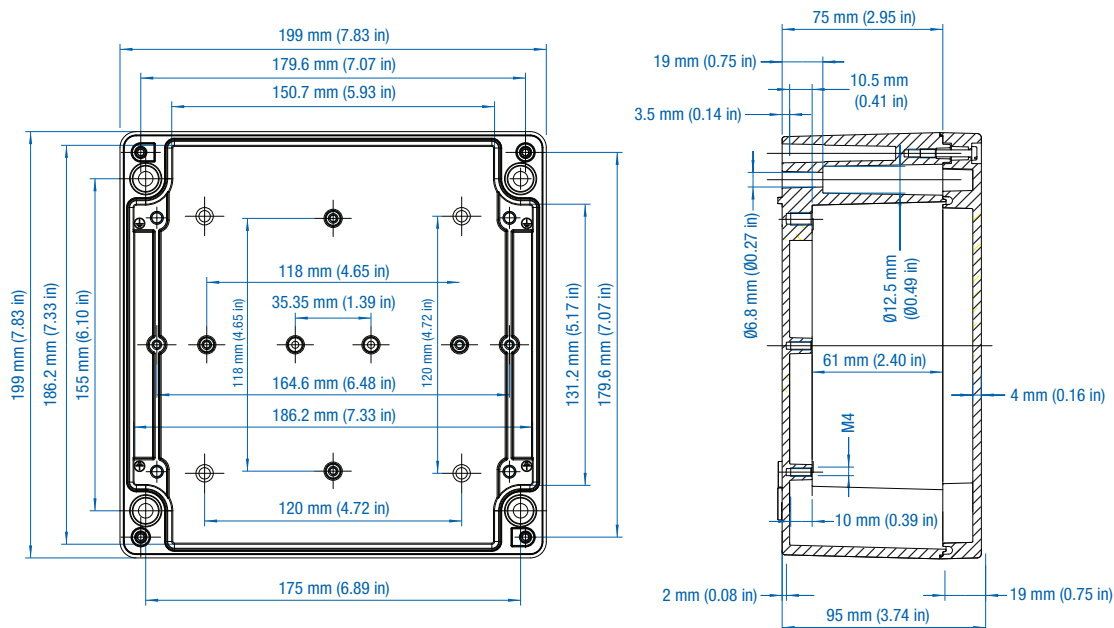
## Aluminum

Ordering Information	Cat. No.	Type	Length	Dimensions mm (in)		Std. Pk.
				Width	Height	
Enclosure	151-007	TKAL1818-9	199 mm (7.83 in)	199 mm (7.83 in)	95 mm (3.74 in)	1

## Accessories

Ordering Information	Cat. No.	Type	Std. Pk.
Mounting Plate (plastic)	195-007	TKMPI-1818	1
Mounting Plate (steel)	197-007	TKMPS-1818	1
Hinge Kit Set	154-210	HK-AL	1
DIN Rail TS 35 - 144 mm	198-144	TS35/144	1
Mounting Tab Kit - large	154-006	MT-AL2	1

Please refer to pages 149-152 for additional accessories and detailed information.



**Standard Features**

- **Protection Level:** IP66
- **Technical:** Smooth Sidewalls
- **Enclosure Material:** Cast Aluminum, Al Si 12
- **Gasket Material:** Polyurethane
- **Temperature Range:** -35°C to 80°C (-31°F to 176°F)
- **Color:** Silver Gray, RAL 7001
- **Accessories:** See section below



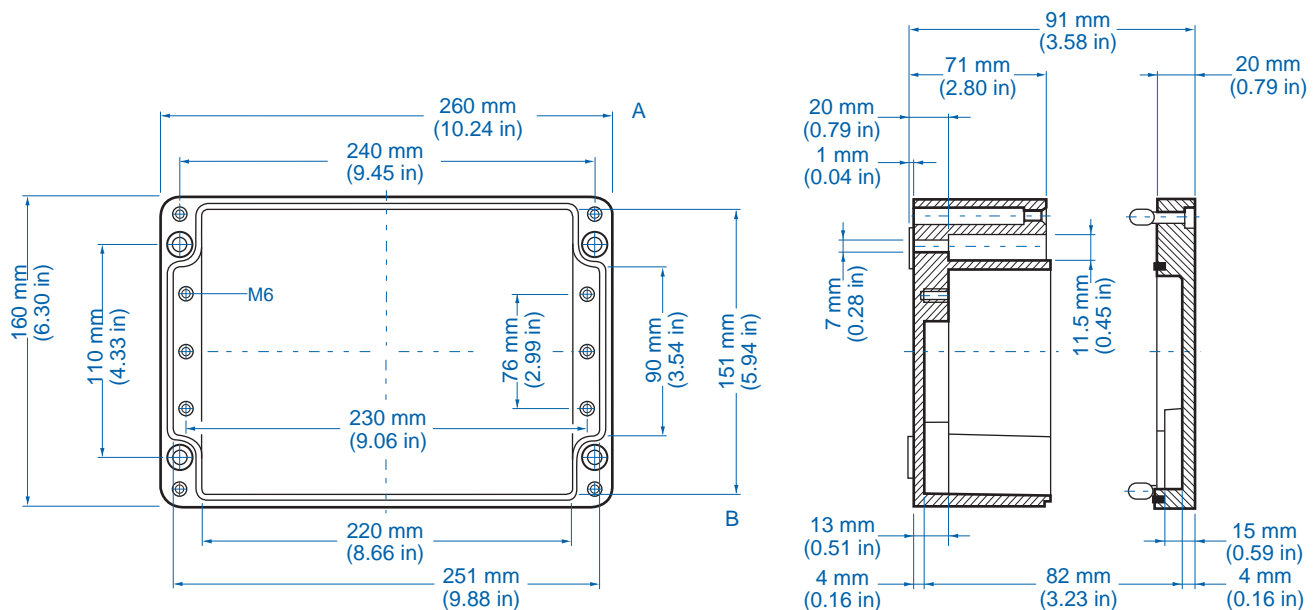
**Aluminum**

Ordering Information	Cat. No.	Type	Length	Dimensions mm (in)		Std. Pk.
				Width	Height	
Enclosure	150-012	AL 2616-9	260 mm (10.24 in)	160 mm (6.30 in)	90 mm (3.54 in)	1

**Accessories**

Ordering Information	Cat. No.	Type	Std. Pk.
Mounting Plate	155-012	ALMPS-2616	1
Hinge Kit Set	154-210	HK-AL	1
DIN Rail TS 35 - 35 x 245mm	162-012	TS35/245	1
Mounting Tab Kit - large	154-006	MT-AL2	1

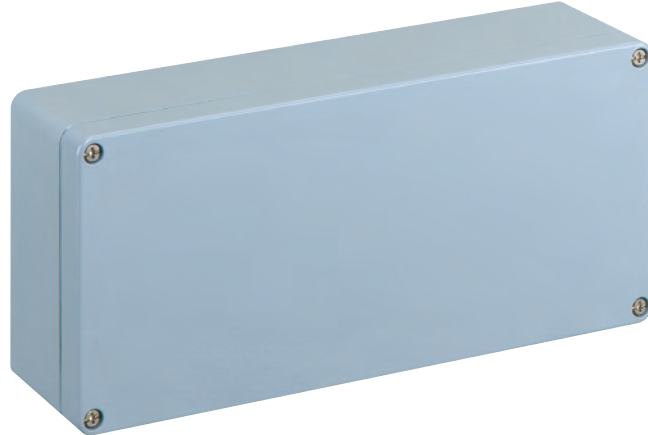
Please refer to pages 149-152 for additional accessories and detailed information.



## AL 3616-9 – Aluminum – 360 x160 mm (14.17 x 6.30 in.)

### Standard Features

- **Protection Level:** IP66
- **Technical:** Smooth Sidewalls
- **Enclosure Material:** Cast Aluminum, Al Si 12
- **Gasket Material:** Polyurethane
- **Temperature Range:** -35°C to 80°C (-31°F to 176°F)
- **Color:** Silver Gray, RAL 7001
- **Accessories:** See section below



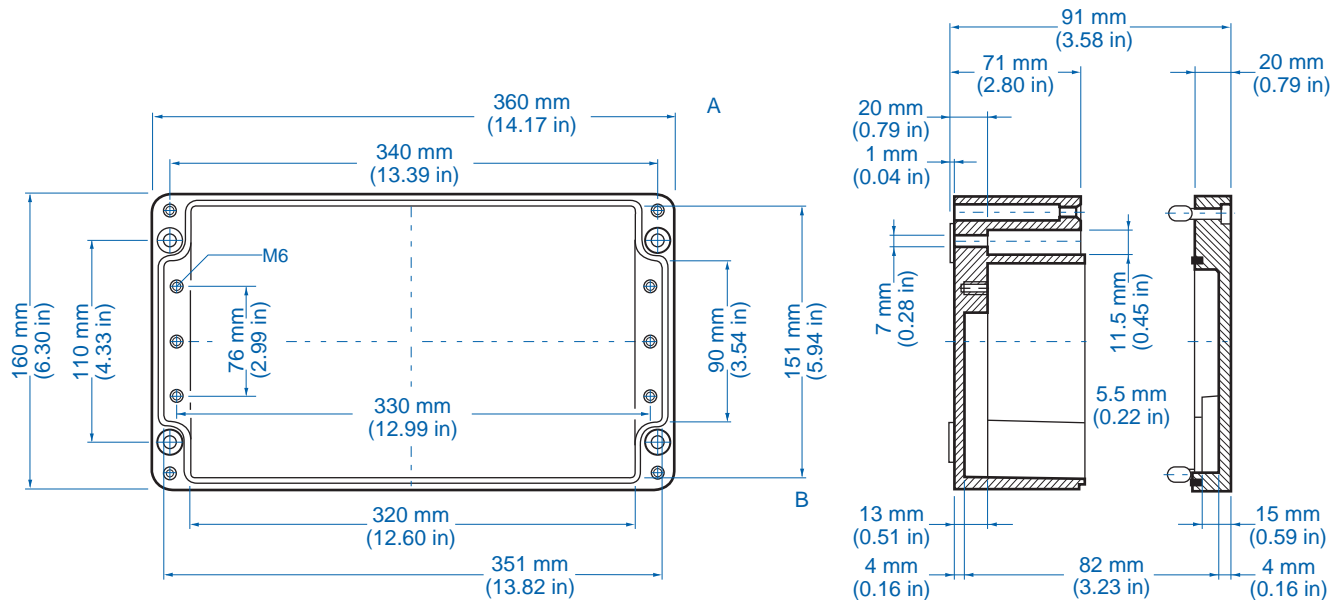
### Aluminum

Ordering Information	Cat. No.	Type	Length	Dimensions mm (in)		Std. Pk.
				Width	Height	
Enclosure	150-013	AL 3616-9	360 mm (14.17 in)	160 mm (6.30 in)	90 mm (3.54 in)	1

### Accessories

Ordering Information	Cat. No.	Type	Std. Pk.
Mounting Plate	155-013	ALMPS-3616	1
Hinge Kit Set	154-210	HK-AL	1
DIN Rail TS 35 - 35 x 345mm	162-013	TS35/345	1
Mounting Tab Kit - large	154-006	MT-AL2	1

Please refer to pages 149-152 for additional accessories and detailed information.



**Standard Features**

- **Protection Level:** IP66
- **Technical:** Smooth Sidewalls
- **Enclosure Material:** Cast Aluminum, Al Si 12
- **Gasket Material:** Polyurethane
- **Temperature Range:** -35°C to 80°C (-31°F to 176°F)
- **Color:** Silver Gray, RAL 7001
- **Accessories:** See section below



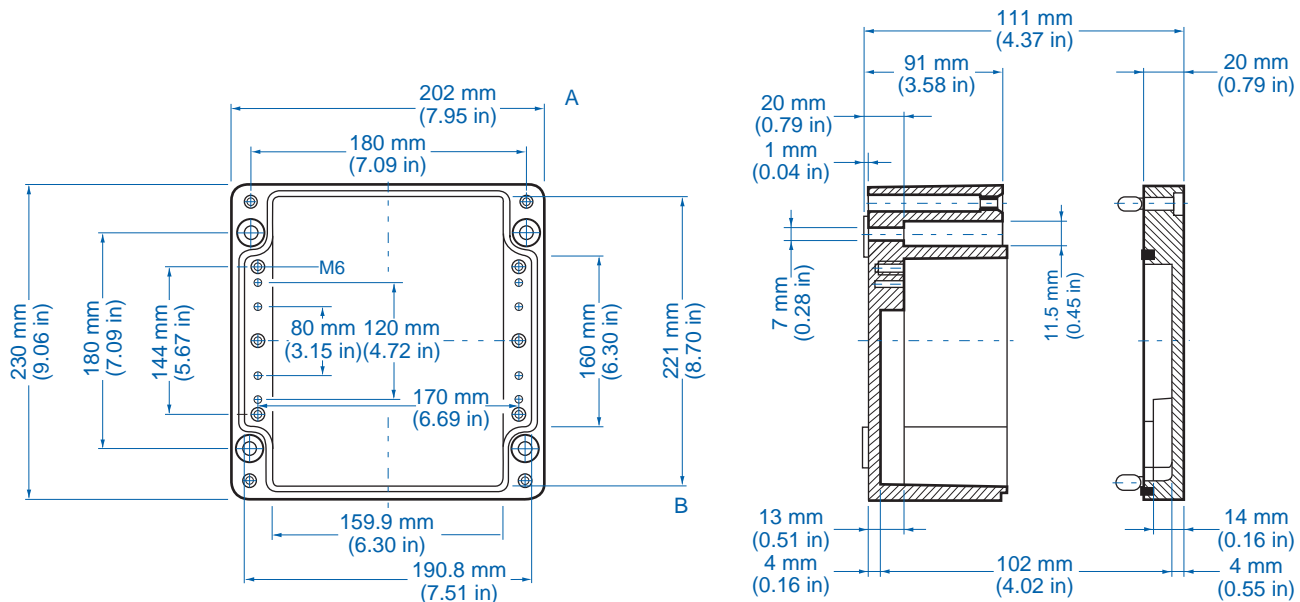
**Aluminum**

Ordering Information	Cat. No.	Type	Length	Dimensions mm (in)		Std. Pk.
				Width	Height	
Enclosure	150-014	AL 2023-11	202 mm (7.95 in)	230 mm (9.06 in)	111 mm (4.37 in)	1

**Accessories**

Ordering Information	Cat. No.	Type	Std. Pk.
Mounting Plate	155-014	ALMPS-2023	1
Hinge Kit Set	154-210	HK-AL	1
DIN Rail TS 35 - 35 x 186mm	162-014	TS35/186	1
Mounting Tab Kit - large	154-006	MT-AL2	1

Please refer to pages 149-152 for additional accessories and detailed information.





**Standard Features**

- **Protection Level:** IP66
- **Technical:** Smooth Sidewalls
- **Enclosure Material:** Cast Aluminum, Al Si 12
- **Gasket Material:** Silicone
- **Temperature Range:** -35°C to 80°C (-31°F to 176°F)
- **Color:** Silver Gray, RAL 7001
- **Accessories:** See section below



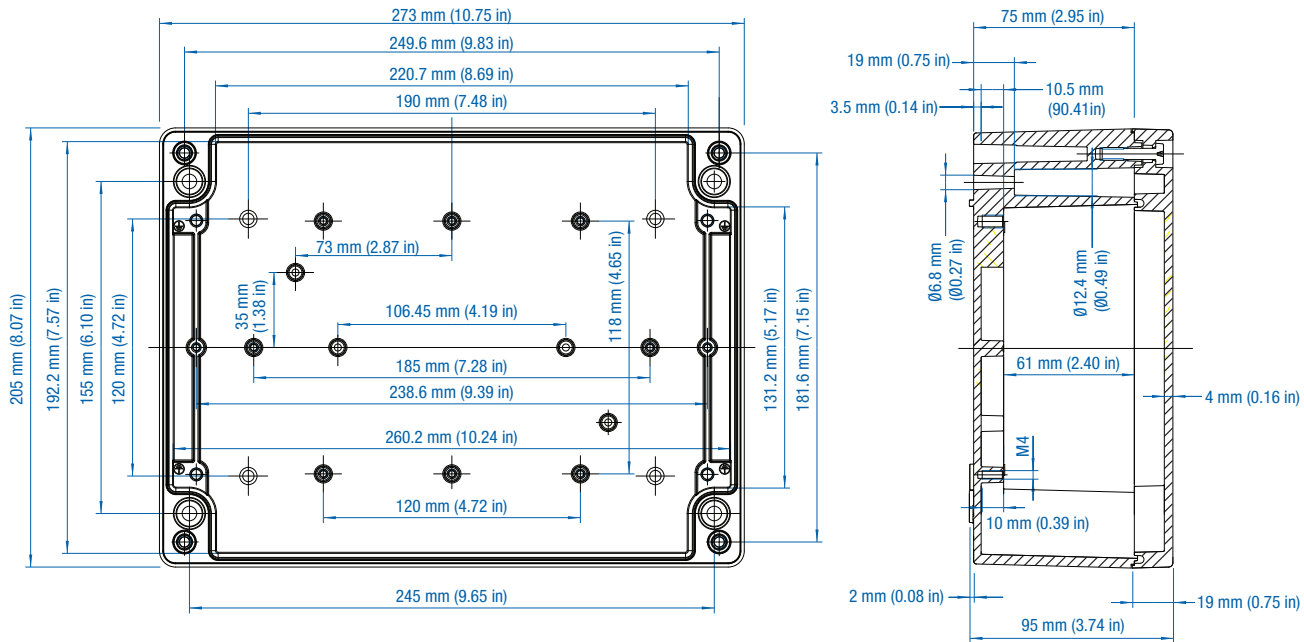
**Aluminum**

Ordering Information	Cat. No.	Type	Length	Dimensions mm (in)	Width	Height	Std. Pk.
Enclosure	151-008	TKAL2518-9	273 mm (10.75 in)	205 mm (8.07 in)	205 mm (8.07 in)	95 mm (3.74 in)	1

**Accessories**

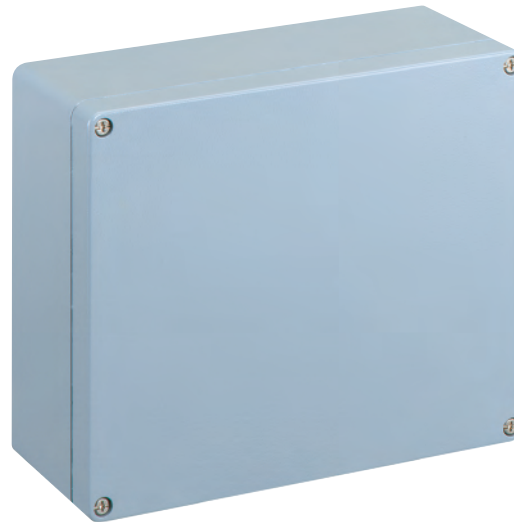
Ordering Information	Cat. No.	Type	Std. Pk.
Mounting Plate (plastic)	195-008	TKMPI-2518	1
Mounting Plate (steel)	197-008	TKMPS-2518	1
Hinge Kit Set	154-210	HK-AL	1
DIN Rail TS 35 - 216 mm	198-216	TS35/216	1
Mounting Tab Kit - large	154-006	MT-AL2	1

Please refer to pages 149-152 for additional accessories and detailed information.



**Standard Features**

- **Protection Level:** IP66
- **Technical:** Smooth Sidewalls
- **Enclosure Material:** Cast Aluminum, Al Si 12
- **Gasket Material:** Polyurethane
- **Temperature Range:** -35°C to 80°C (-31°F to 176°F)
- **Color:** Silver Gray, RAL 7001
- **Accessories:** See section below



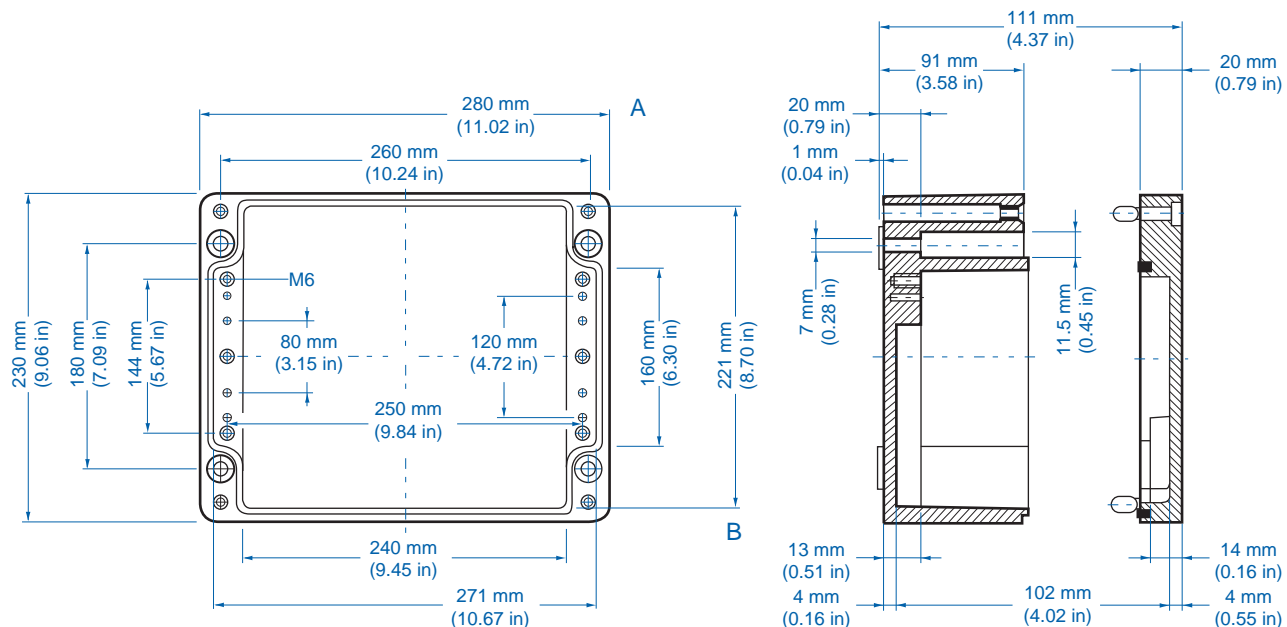
**Aluminum**

Ordering Information	Cat. No.	Type	Length	Dimensions mm (in)		Std. Pk.
				Width	Height	
Enclosure	150-015	AL 2823-11	280 mm (11.02 in)	230 mm (9.06 in)	111 mm (4.37 in)	1

**Accessories**

Ordering Information	Cat. No.	Type	Std. Pk.
Mounting Plate	155-015	ALMPS-2823	1
Hinge Kit Set	154-210	HK-AL	1
DIN Rail TS 35 - 35 x 266mm	162-015	TS35/266	1
Mounting Tab Kit - large	154-006	MT-AL2	1

Please refer to pages 149-152 for additional accessories and detailed information.



## AL 3323-11 – Aluminum – 330 x 230 mm (12.99 x 9.06 in.)

### Standard Features

- **Protection Level:** IP66
- **Technical:** Smooth Sidewalls
- **Enclosure Material:** Cast Aluminum, Al Si 12
- **Gasket Material:** Polyurethane
- **Temperature Range:** -35°C to 80°C (-31°F to 176°F)
- **Color:** Silver Gray, RAL 7001
- **Accessories:** See section below



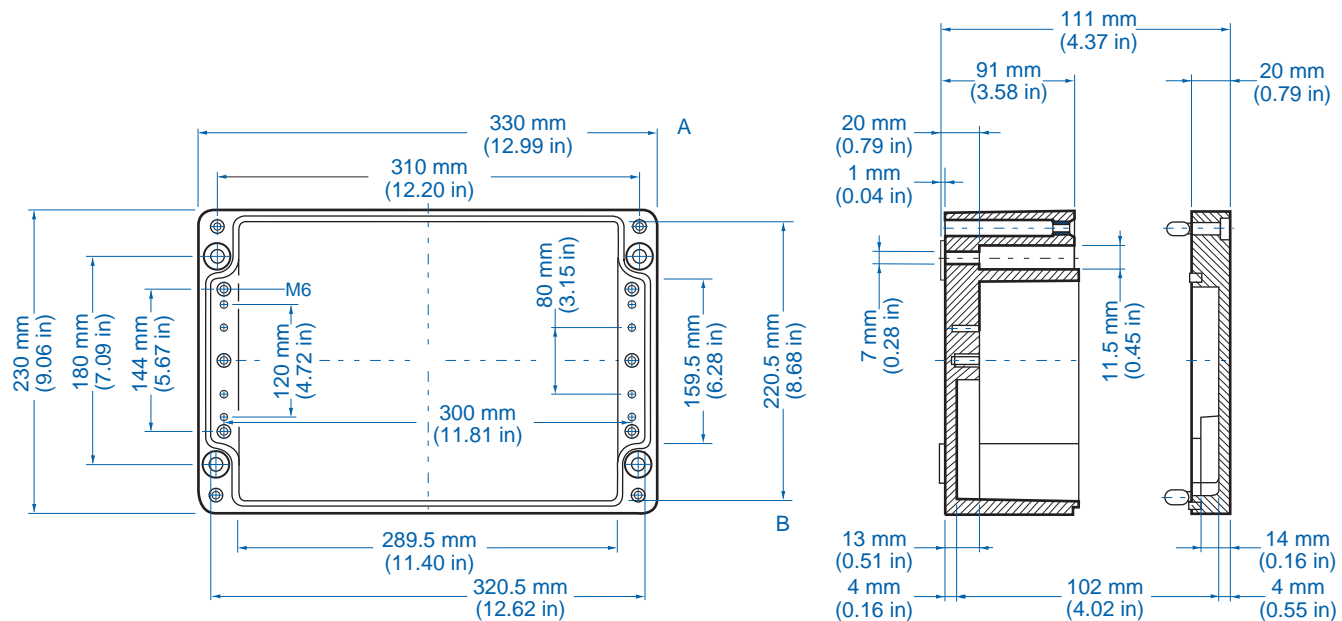
### Aluminum

Ordering Information	Cat. No.	Type	Length	Dimensions mm (in) Width	Height	Std. Pk.
Enclosure	150-016	AL 3323-11	330 mm (12.99 in)	230 mm (9.06 in)	111 mm (4.37 in)	1

### Accessories

Ordering Information	Cat. No.	Type	Std. Pk.
Mounting Plate	155-016	ALMPS-3323	1
Hinge Kit Set	154-210	HK-AL	1
DIN Rail TS 35 - 35 x 316mm	162-016	TS35/316	1
Mounting Tab Kit - large	154-006	MT-AL2	1

Please refer to pages 149-152 for additional accessories and detailed information.







**Standard Features**

- **Protection Level:** IP66
- **Technical:** Smooth Sidewalls
- **Enclosure Material:** Cast Aluminum, Al Si 12
- **Gasket Material:** Silicone
- **Temperature Range:** -35°C to 80°C (-31°F to 176°F)
- **Color:** Silver Gray, RAL 7001
- **Accessories:** See section below



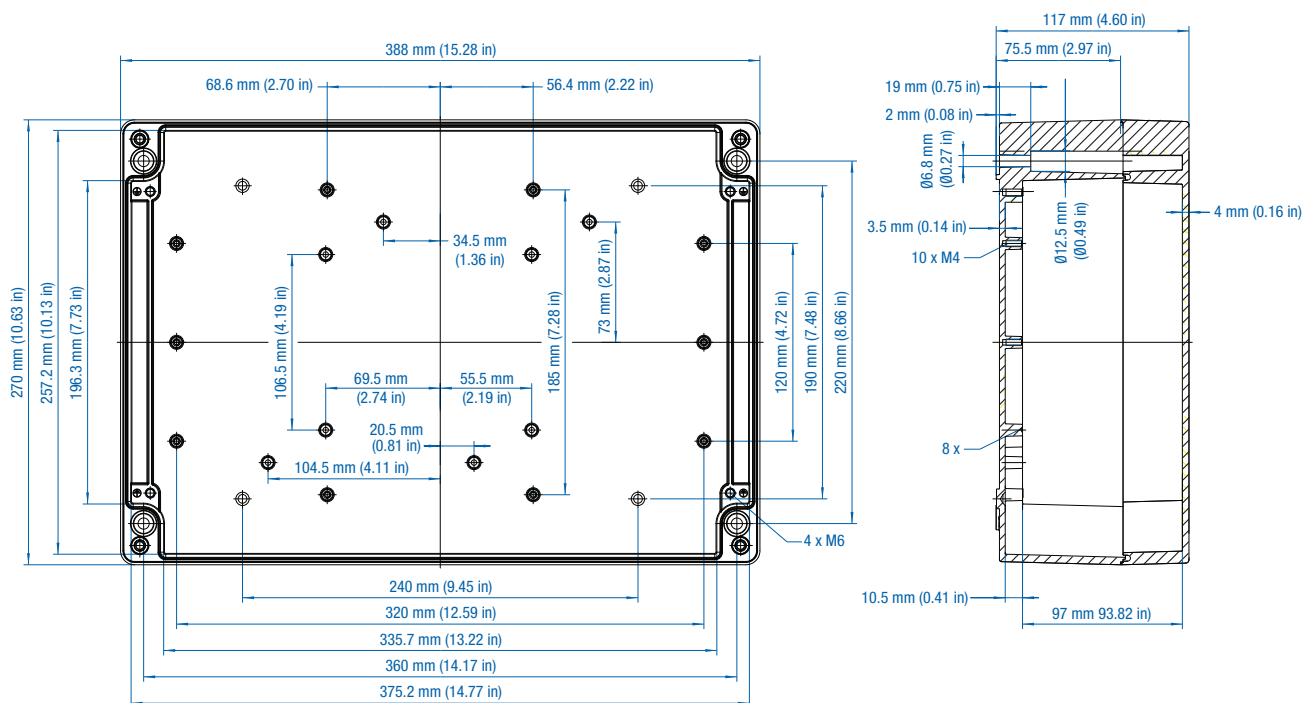
**Aluminum**

Ordering Information	Cat. No.	Type	Length	Dimensions mm (in)	Width	Height	Std. Pk.
Enclosure	151-012	TKAL3625-11	388 mm (15.28 in)	270 mm (10.63 in)	270 mm (10.63 in)	117 mm (4.61 in)	1

**Accessories**

Ordering Information	Cat. No.	Type	Std. Pk.
Mounting Plate (plastic)	195-012	TKMPI-3625	1
Mounting Plate (steel)	197-012	TKMPS-3625	1
Hinge Kit Set	154-210	HK-AL	1
DIN Rail TS 35 - 336 mm	198-336	TS35/336	1
Mounting Tab Kit - large	154-006	MT-AL2	1

Please refer to pages 149-152 for additional accessories and detailed information.





# Abox Series

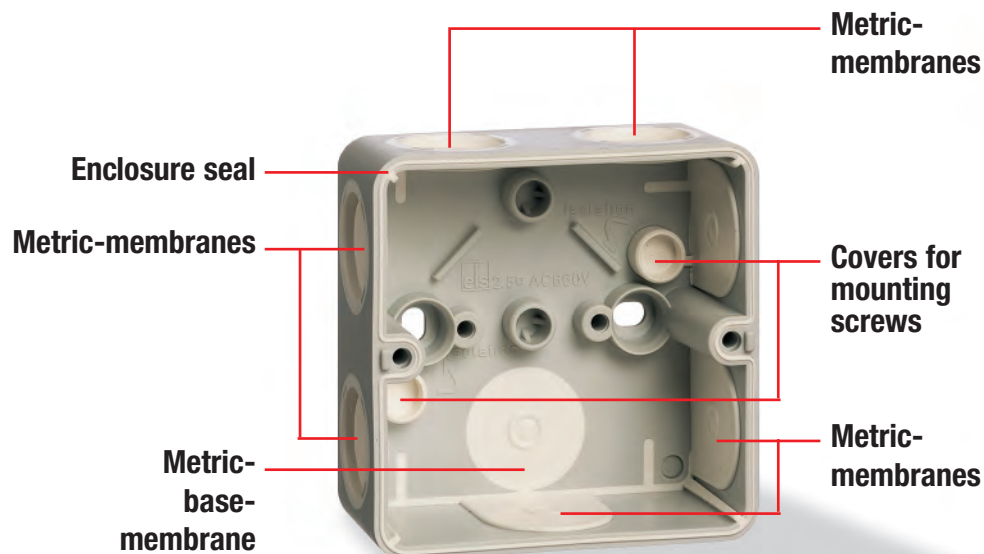
The Abox family consists of six enclosures that feature an attractive modern design and shape that allow for optimum use of installation space. Each enclosure has either membranes or knockouts on each sidewall and on the backside.

Two of the six enclosures in this family feature "Dual Molding Technology". This feature incorporates rubber membranes molded right into the polystyrene body. This allows the user to simply push wires through the membrane or cut them out to install a cable gland. These access holes can accommodate metric cable glands and entry spouts.

Abox Enclosures are available in sizes ranging from 80 x 80 x 52 mm (3.15 x 3.15 x 2.05 in.) to 250 x 250 x 115 mm (9.84 x 9.84 x 4.53 in.).

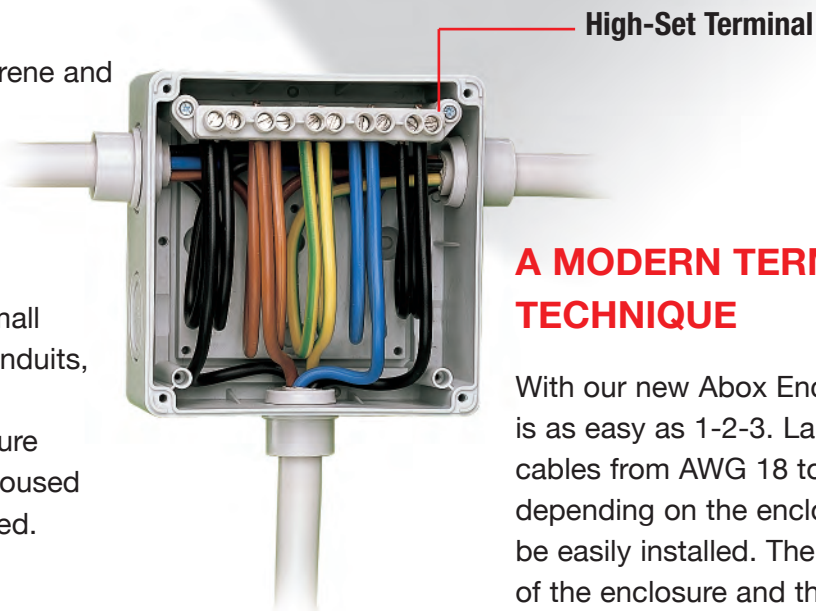
Most enclosures in the family can maintain IP65 protection with the use of complementary IP65 cable glands. The dual membrane models are IP65, without the addition of cable glands.

- Two to four high grade self tapping screws secure the lid
- Tongue and groove sealing system with polyurethane gasket
- Made from non-flammable Polystyrene



## CONVENIENCE AND RELIABILITY

Abox Enclosures are manufactured in Polystyrene and are approved by several international test agencies. The unique design of Metric-Membranes allows for installation of large or small cables, cable glands, conduits, and entry spouts while ensuring that the enclosure remains sealed and all housed components are protected.



## A MODERN TERMINAL TECHNIQUE

With our new Abox Enclosures wiring is as easy as 1-2-3. Large numbers of cables from AWG 18 to AWG 2 depending on the enclosure size, can be easily installed. The square shape of the enclosure and the domed cover provide ample room for even the toughest wiring job.

# Abox 025 – Polystyrene – 80 x 80 mm (3.15 x 3.15 in.)

## Standard Features

- **Protection Level:** IP65
- **Technical:** Self Sealing Soft Elastic Membranes  
Suitable for Metric Entry
- **Sealing Area:** M20 - 2 to 16mm
- **UL Recognized**
- **Enclosure Material:** Polystyrene
- **Gasket Material:** Polyurethane
- **Color:** Light Gray or White
- **Material**
- **Temperature Range:** Polystyrene  
-40°C to 70°C (-40°F to 158°F)
- **Accessories:** See section below



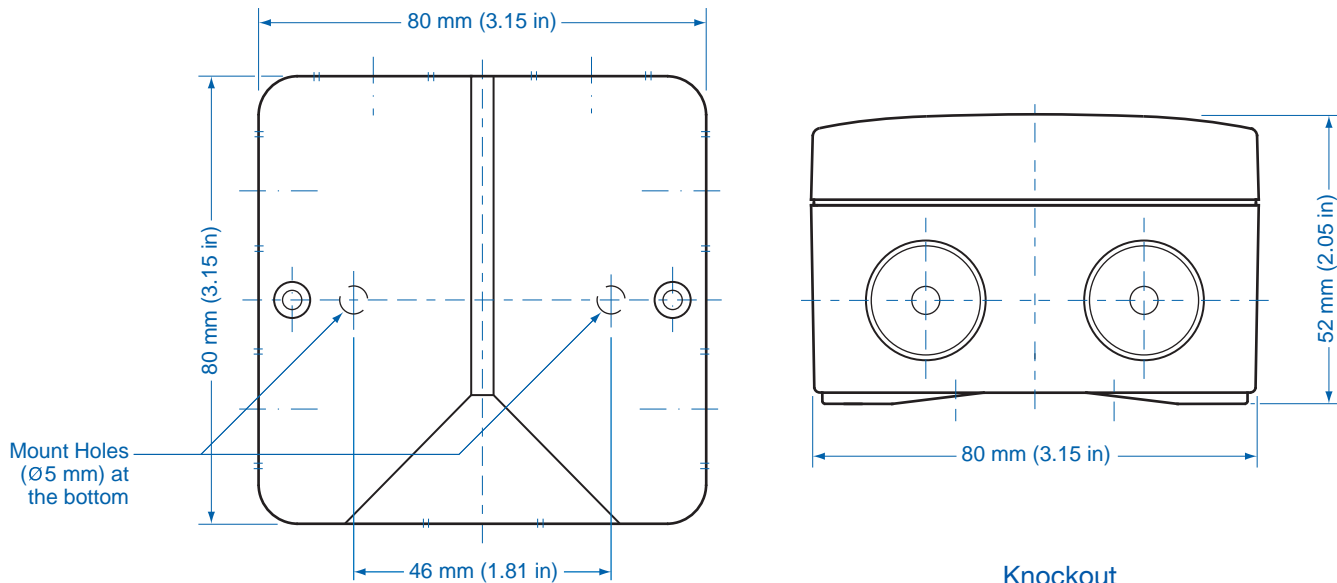
## Abox

Ordering Information	Cat. No.	Color	Terminal	Length	Dimensions mm (in) Width	Height	Std. Pk.
Enclosure with terminals	802-407	gray	2.5 mm <sup>2</sup> - 5 pole	80 mm (3.15 in)	80 mm (3.15 in)	52 mm (2.05 in)	3
Enclosure with terminals	802-107	white	2.5 mm <sup>2</sup> - 5 pole	80 mm (3.15 in)	80 mm (3.15 in)	52 mm (2.05 in)	3
Enclosure - empty	802-907	gray	NA	80 mm (3.15 in)	80 mm (3.15 in)	52 mm (2.05 in)	3
Enclosure - empty	802-607	white	NA	80 mm (3.15 in)	80 mm (3.15 in)	52 mm (2.05 in)	3

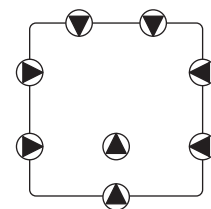
## Accessories

Ordering Information	Cat. No.	Type	Std. Pk.
Terminal (base mount)	840-004	2.5/4 mm <sup>2</sup> - 5 pole	10

Please refer to pages 149-152 for additional accessories and detailed information.

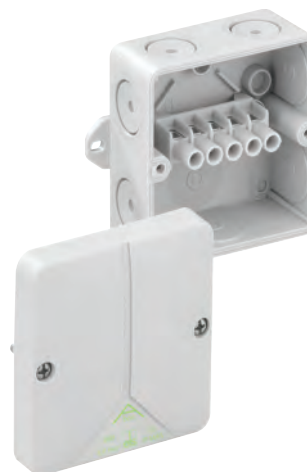


### Knockout Detail



**Standard Features**

- **Protection Level:** IP65
- **Technical:** Self Sealing Soft Elastic Membranes  
Suitable for Metric Entry
- **Sealing Area:** M20 - 2 to 16mm
- **UL Recognized**
- **Enclosure Material:** Polystyrene
- **Gasket Material:** Polyurethane
- **Color:** Light Gray or White
- **Material**
- **Temperature Range:** Polystyrene  
-40°C to 70°C (-40°F to 158°F)
- **Accessories:** See section below



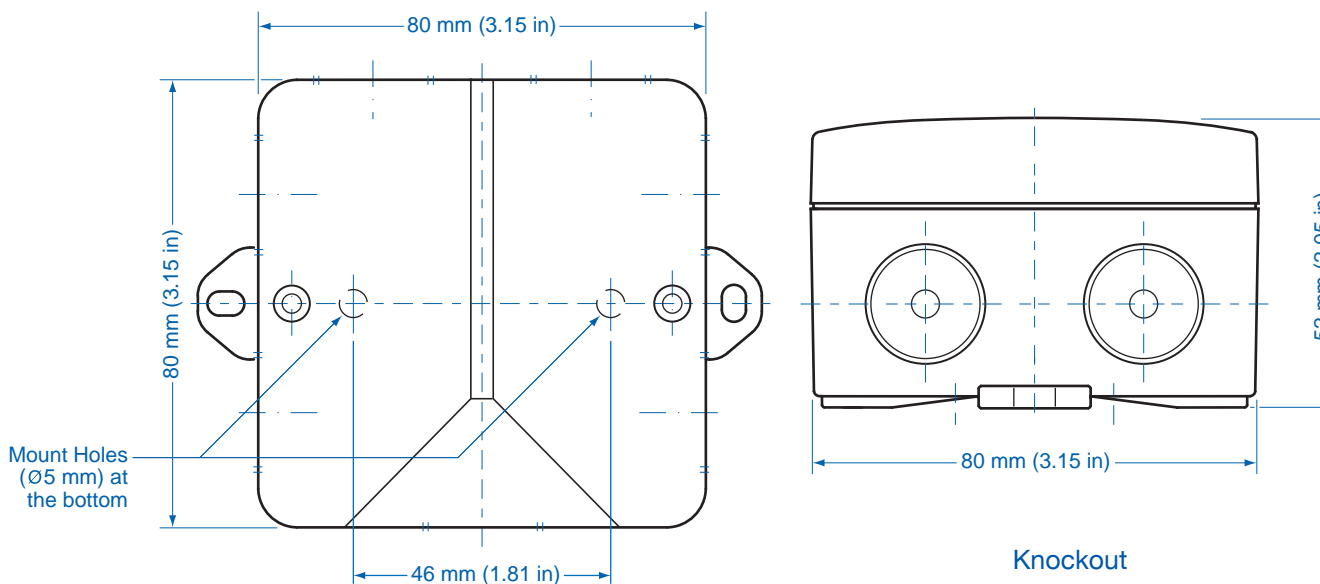
**Abox**

Ordering Information	Cat. No.	Color	Terminal	Length	Dimensions mm (in)		Std. Pk.
					Width	Height	
Enclosure with terminals	803-407	gray	2.5 mm <sup>2</sup> - 5 pole	80 mm (3.15 in)	80 mm (3.15 in)	52 mm (2.05 in)	3
Enclosure with terminals	803-107	white	2.5 mm <sup>2</sup> - 5 pole	80 mm (3.15 in)	80 mm (3.15 in)	52 mm (2.05 in)	3
Enclosure - empty	803-907	gray	NA	80 mm (3.15 in)	80 mm (3.15 in)	52 mm (2.05 in)	3
Enclosure - empty	803-607	white	NA	80 mm (3.15 in)	80 mm (3.15 in)	52 mm (2.05 in)	3

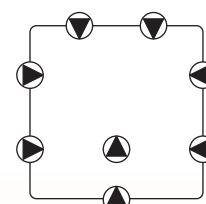
**Accessories**

Ordering Information	Cat. No.	Type	Std. Pk.
Terminal (base mount)	840-004	2.5/4 mm <sup>2</sup> - 5 pole	10

Please refer to pages 149-152 for additional accessories and detailed information.



**Knockout Detail**



# Abox 040 – Polystyrene – 93 x 93 mm (3.66 x 3.66 in.)

## Standard Features

- **Protection Level:** IP65
- **Technical:** Self Sealing Soft Elastic Membranes  
Suitable for Metric Entry
- **Sealing Area:** M20 - 2 to 16mm
- **UL Recognized**
- **Enclosure Material:** Polystyrene
- **Gasket Material:** Polyurethane
- **Color:** Light Gray or White
- **Material**
- **Temperature Range:** Polystyrene  
-40°C to 70°C (-40°F to 158°F)
- **Accessories:** See section below



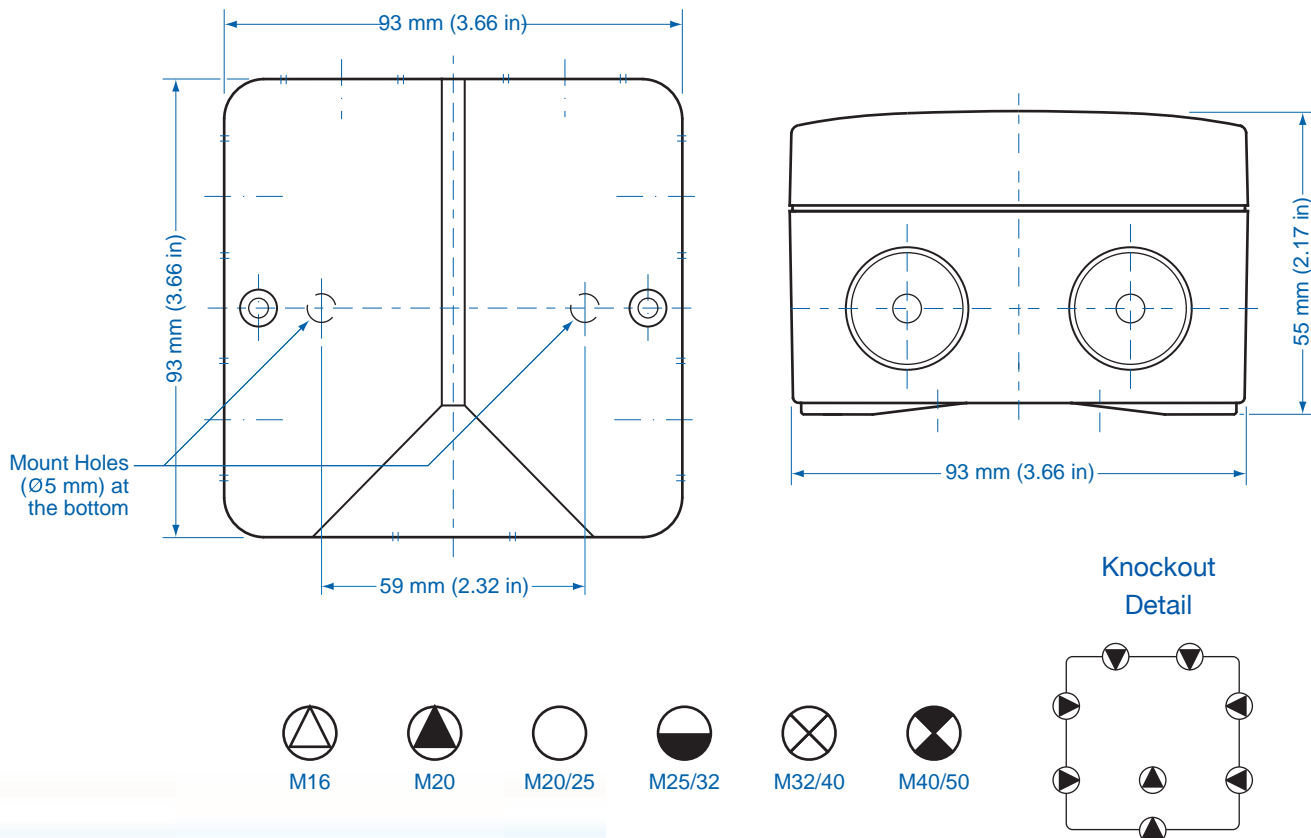
## Abox

Ordering Information	Cat. No.	Color	Terminal	Length	Dimensions mm (in)		Std. Pk.
					Width	Height	
Enclosure with terminals	804-407	gray	4 mm <sup>2</sup> - 5 pole	93 mm (3.66 in)	93 mm (3.66 in)	55 mm (2.17 in)	3
Enclosure with terminals	804-107	white	4 mm <sup>2</sup> - 5 pole	93 mm (3.66 in)	93 mm (3.66 in)	55 mm (2.17 in)	3
Enclosure - empty	804-907	gray	NA	93 mm (3.66 in)	93 mm (3.66 in)	55 mm (2.17 in)	3
Enclosure - empty	804-607	white	NA	93 mm (3.66 in)	93 mm (3.66 in)	55 mm (2.17 in)	3

## Accessories

Ordering Information	Cat. No.	Type	Std. Pk.
Terminal (base mount)	840-004	2.5/4 mm <sup>2</sup> - 5 pole 10	

Please refer to pages 149-152 for additional accessories and detailed information.



**Standard Features**

- **Protection Level:** IP54\* / IP65\*\*
- **Technical:** Knockout Sidewalls
- **UL Recognized**
- **Enclosure Material:** Polystyrene
- **Gasket Material:** Polyurethane
- **Color:** Light Gray or White
- **Material**
- **Temperature Range:** Polystyrene  
-40°C to 70°C (-40°F to 158°F)
- **Included Accessories:** (4) M25 Entry Spouts for Cables 9-18mm  
(1) M25 Sealing Plug
- **Accessories:** See section below



\* With Supplied Entry Spouts  
\*\* As Equipped or With Optional IP65 Cable Glands

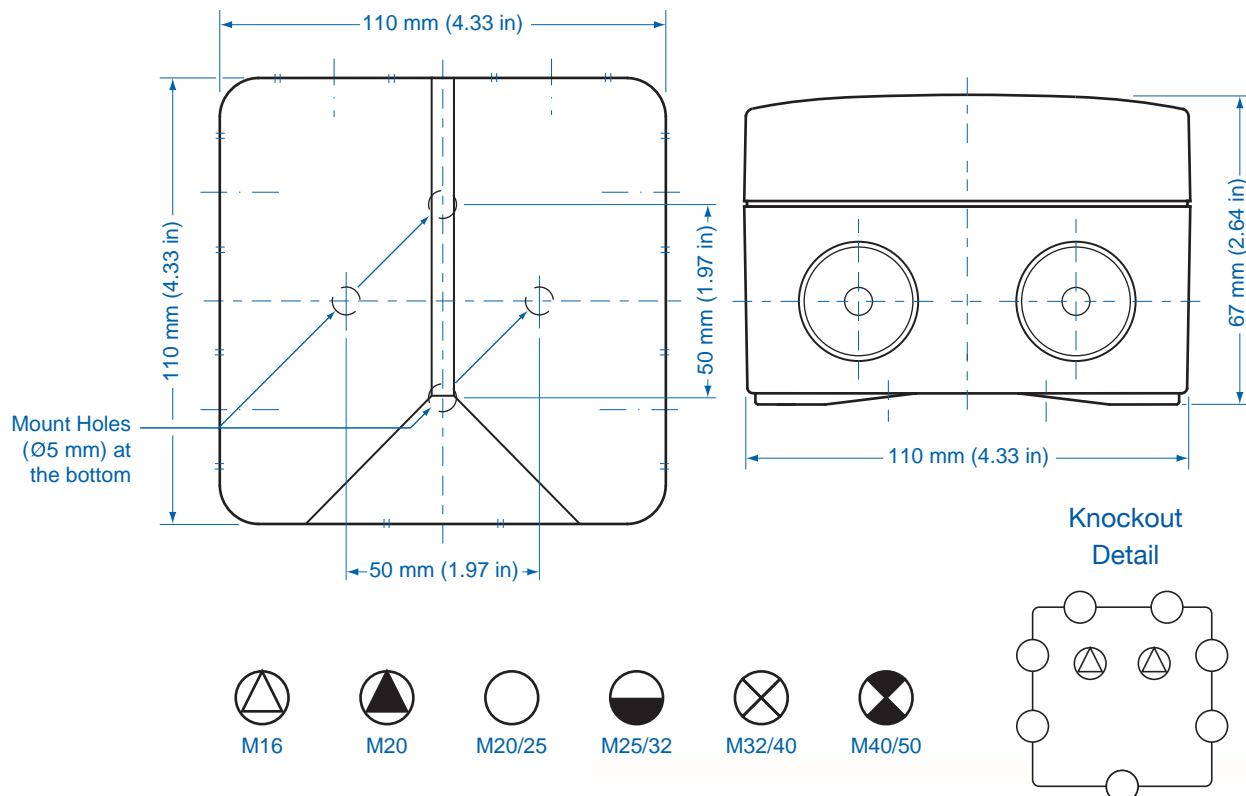
**Abox**

Ordering Information	Cat. No.	Color	Terminal	Length	Dimensions mm (in)		Std. Pk.
					Width	Height	
Enclosure with terminals	806-407	gray	6 mm <sup>2</sup> - 5 pole	110 mm (4.33 in)	110 mm (4.33 in)	67 mm (2.64 in)	2
Enclosure - empty	806-907	gray	NA	110 mm (4.33 in)	110 mm (4.33 in)	67 mm (2.64 in)	2

**Accessories**

Ordering Information	Cat. No.	Type	Std. Pk.
Mounting Plate	895-006	MP060	1
DIN Rail TS 35 – 35x81 mm	198-081	TS 35/81	1
Terminal (high-set)	840-006	6 mm <sup>2</sup> - 5 pole	5

Please refer to pages 149-152 for additional accessories and detailed information.



# Abox 100 – Polystyrene – 140 x 140 mm (5.51 x 5.51 in.)

## Standard Features

- **Protection Level:** IP54\* / IP65\*\*
- **Technical:** Knockout Sidewalls
- **UL Recognized**
- **Enclosure Material:** Polystyrene
- **Gasket Material:** Polyurethane
- **Color:** Light Gray or White
- **Material**
- **Temperature Range:** Polystyrene  
-40°C to 70°C (-40°F to 158°F)
- **Included Accessories:** (4) M32 Entry Spouts for Cables 11-23mm  
(1) M32 Sealing Plug
- **Accessories:** See section below



\* With Supplied Entry Spouts

\*\* As Equipped or With Optional IP65 Cable Glands

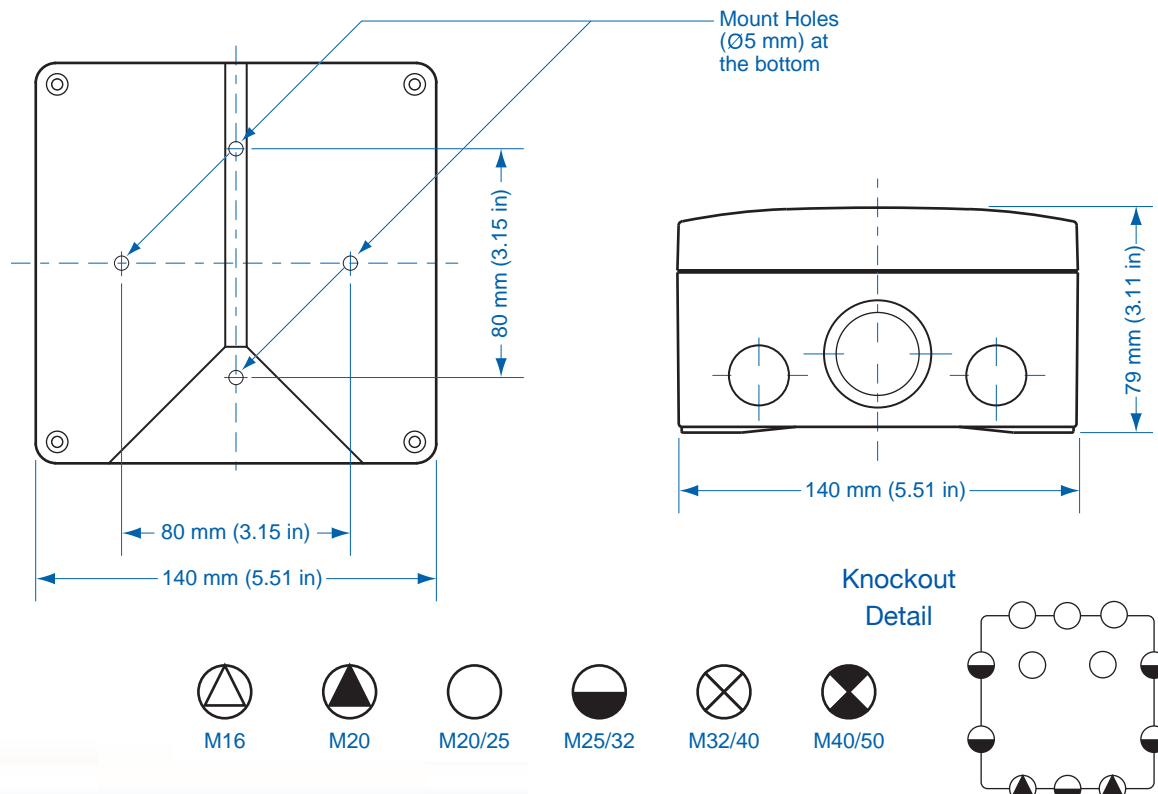
## Abox

Ordering Information.	Cat. No	Color	Terminal	Length	Dimensions mm (in) Width	Height	Std. Pk.
Enclosure with terminals	810-410	gray	10 mm <sup>2</sup> -5 pole	140 mm (5.51 in)	140 mm (5.51 in)	79 mm (3.11 in)	2
Enclosure - empty	810-910	gray	NA	140 mm (5.51 in)	140 mm (5.51 in)	79 mm (3.11 in)	2

## Accessories

Ordering Information	Cat. No.	Type	Std. Pk.
Mounting Plate	895-010	MP100	1
DIN Rail TS 35 – 35x106 mm	198-106	TS 35/106	1
Terminal (high-set)	840-010	10 mm <sup>2</sup> - 5 pole	5

Please refer to pages 149-152 for additional accessories and detailed information.





**Standard Features**

- **Protection Level:** IP54\* / IP65\*\*
- **Technical:** Knockout Sidewalls
- **UL Recognized**
- **Enclosure Material:** Polystyrene
- **Gasket Material:** Polyurethane
- **Color:** Light Gray or White
- **Material**
- **Temperature Range:** Polystyrene  
-40°C to 70°C (-40°F to 158°F)
- **Included Accessories:** (4) M40 Entry Spouts for Cables 17-30mm  
(1) M40 Sealing Plug  
(1) Tamper Kit
- **Accessories:** See section below



\* With Supplied Entry Spouts  
\*\*As Equipped or With Optional IP65 Cable Glands

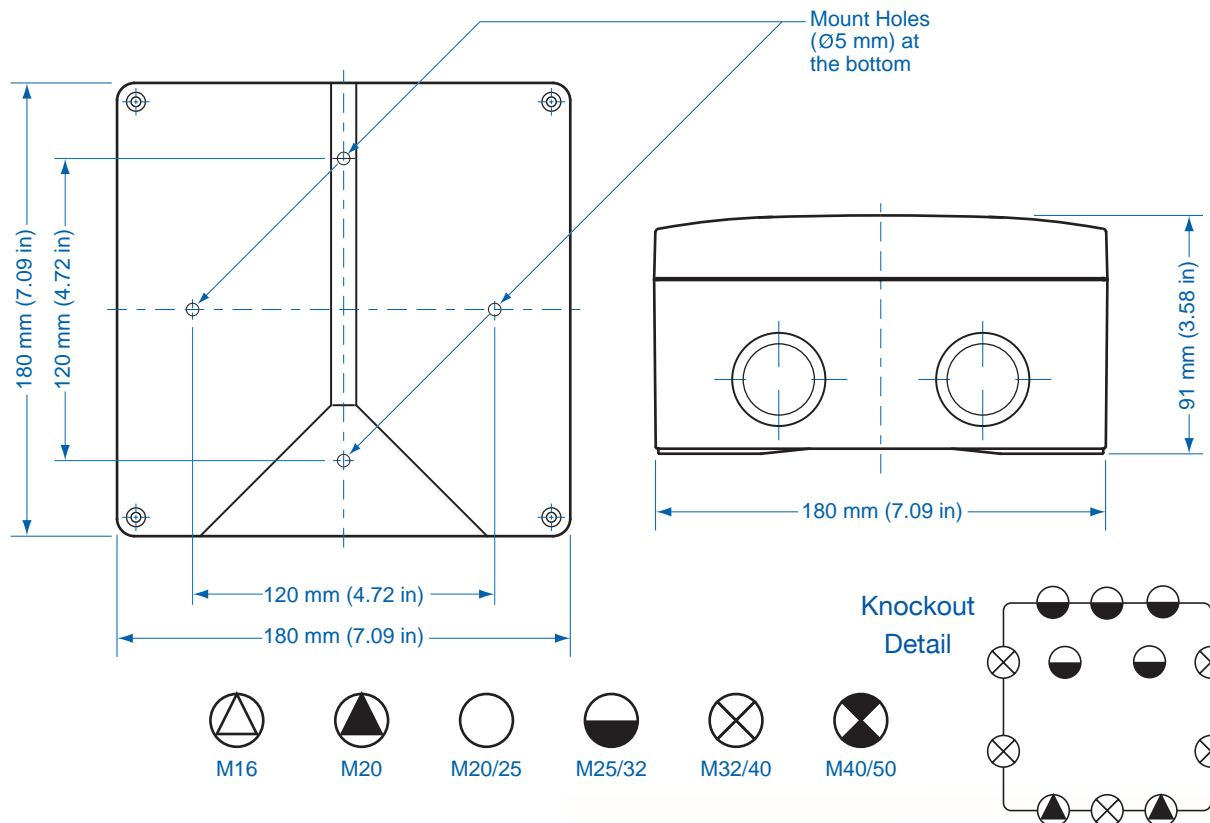
**Abox**

Ordering Information	Cat. No.	Color	Terminal	Length	Dimensions mm (in)		Std. Pk.
					Width	Height	
Enclosure with terminals	816-410	gray	16/25 mm <sup>2</sup> -5 pole	180 mm (7.09 in)	180 mm (7.09 in)	91 mm (3.58 in)	1
Enclosure - empty	816-910	gray	NA	180 mm (7.09 in)	180 mm (7.09 in)	91 mm (3.58 in)	1

**Accessories**

Ordering Information	Cat. No.	Type	Std. Pk.
Mounting Plate	895-016	MP160	1
DIN Rail TS 35 – 35x144 mm	894-016	TS 35/144	1
Terminal (high-set)	840-016	16/25mm <sup>2</sup> - 5 pole	2

Please refer to pages 149-152 for additional accessories and detailed information.



## Abox 350 – Polystyrene – 250 x 250 mm (9.84 x 9.84 in.)

### Standard Features

- **Protection Level:** IP54\* / IP65\*\*
- **Technical:** Knockout Sidewalls
- **UL Recognized**
- **Enclosure Material:** Polystyrene
- **Gasket Material:** Polyurethane
- **Color:** Light Gray or White
- **Material**
- **Temperature Range:** Polystyrene  
-40°C to 70°C (-40°F to 158°F)
- **Included Accessories:** (4) M40 Entry Spouts for Cables 17-30mm  
(1) M40 Sealing Plug  
(1) Tamper Kit
- **Accessories:** See section below



\* With Supplied Entry Spouts

\*\*As Equipped or With Optional IP65 Cable Glands

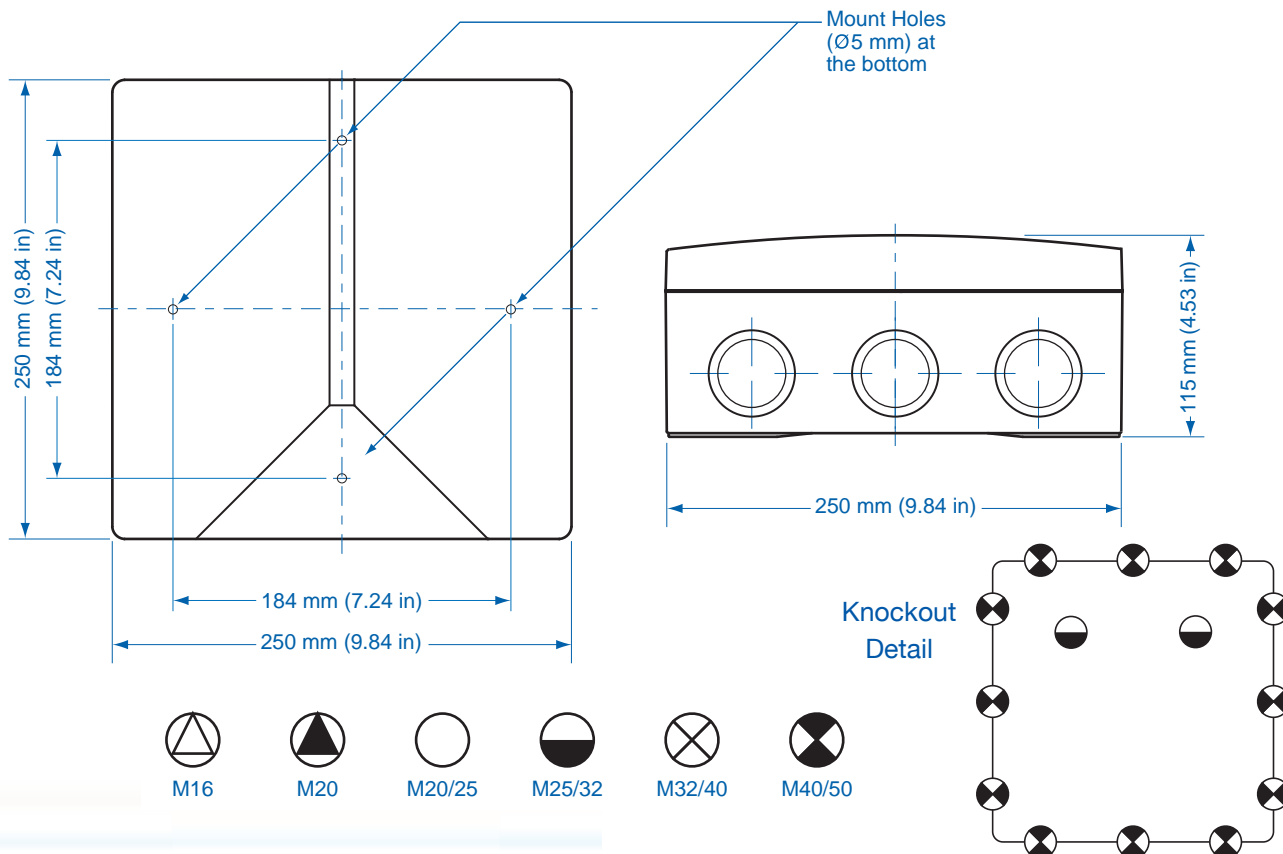
### Abox

Ordering Information	Cat. No.	Color	Terminal	Length	Dimensions mm (in)		Std. Pk.
					Width	Height	
Enclosure with terminals	835-410	gray	35/25 mm <sup>2</sup> - 5 pole	250 mm (9.84 in)	250 mm (9.84 in)	115 mm (4.53 in)	1
Enclosure - empty	835-910	gray	NA	250 mm (9.84 in)	250 mm (9.84 in)	115 mm (4.53 in)	1

### Accessories

Ordering Information	Cat. No.	Type	Std. Pk.
Mounting Plate	895-035	MP350	1
DIN Rail TS 35 – 35x216 mm	894-035	TS 35/216	1
Terminal (high-set)	840-035	35/25 mm <sup>2</sup> - 5 pole	1

Please refer to pages 149-152 for additional accessories and detailed information.



## Check Out Our latest Liquid Tight Strain Relief Catalog

including a variety of materials, accessories and conduit



Contact Altech today or download a  
catalog at [www.altechcorp.com](http://www.altechcorp.com)

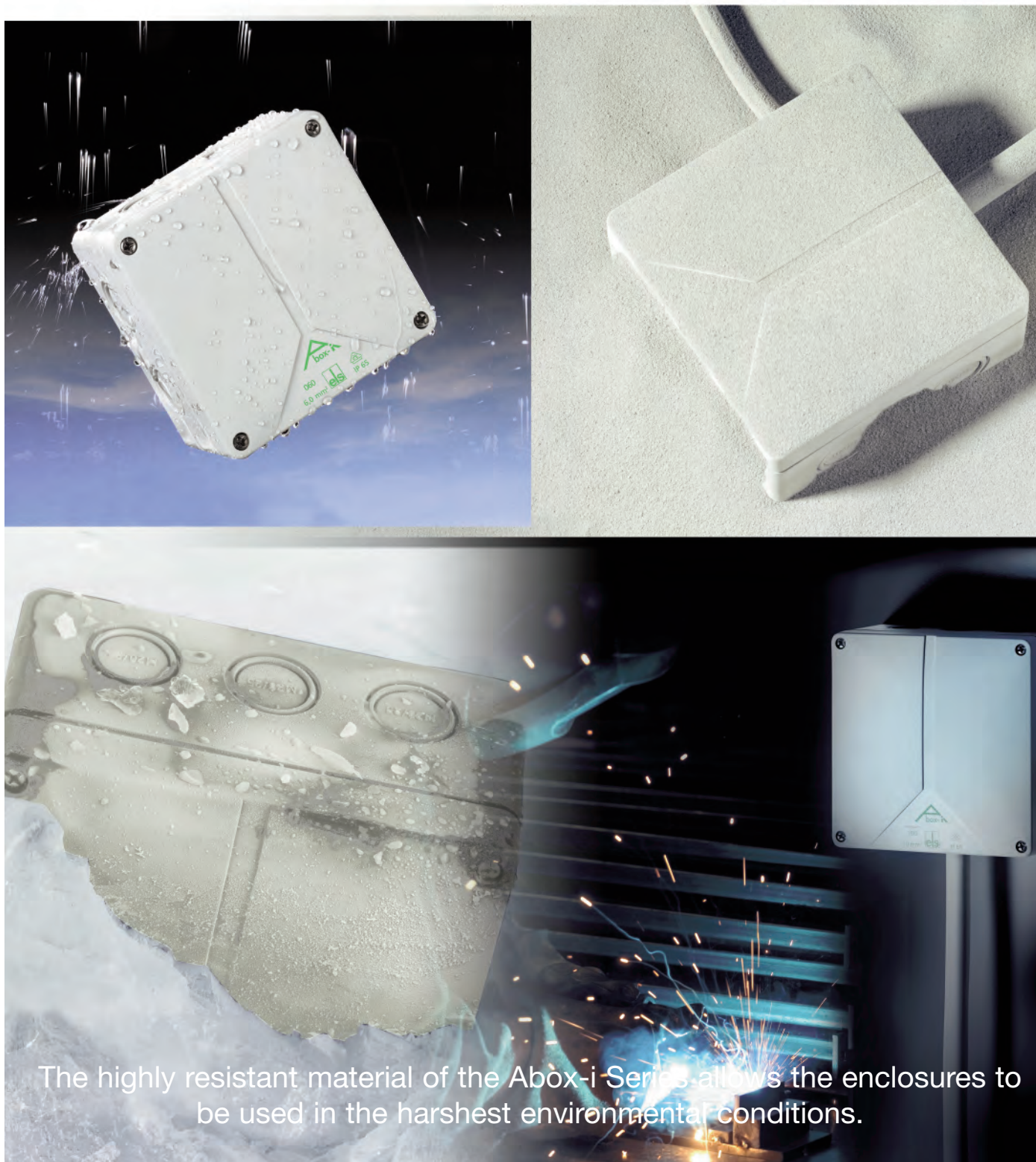


# Abox-i Series

Abox-i Series (formerly the Nautic Series) junction boxes for harsh environments are supplied complete with terminal blocks. These enclosures can be used wherever extreme conditions are encountered: offshore platforms, ocean vessels, petrochemical plants, steel mills and railways.

- Direct mount
- Glass reinforced Polycarbonate
- Integral seal
- Impervious to sea air and water
- IP65 protection
- High temperature resistance 120°C (248°F)
- High mechanical strength
- Corrosion and maintenance free
- Halogen free
- Standard knockouts
- 6 different sizes
- Contemporary styling
- UV fade resistance for optimal outdoor use
- High chemical resistance
- Wire sizes from 2.5mm<sup>2</sup> sq. to 35mm<sup>2</sup> sq. (14-2 AWG)
- Ideal for installations in high risk fire areas

## ABOX-i Harsh Conditions



The highly resistant material of the Abox-i Series allows the enclosures to be used in the harshest environmental conditions.

# Abox-i 025 – Polycarbonate – 80 x 80 mm (3.15 x 3.15 in.)

## Standard Features

- **Protection Level:** IP65
- **Technical:** Self Sealing, Soft Elastic Membranes  
Suitable for Metric Entry
- **Sealing Area:** M20 - 2 to 16mm
- **UL Recognized**
- **Enclosure Material:** Polycarbonate
- **Gasket Material:** Polyurethane
- **Color:** Light Gray
- **Material**
- **Temperature Range:** Polycarbonate  
-40°C to 120°C (-40°F to 248°F)
- **Accessories:** See section below



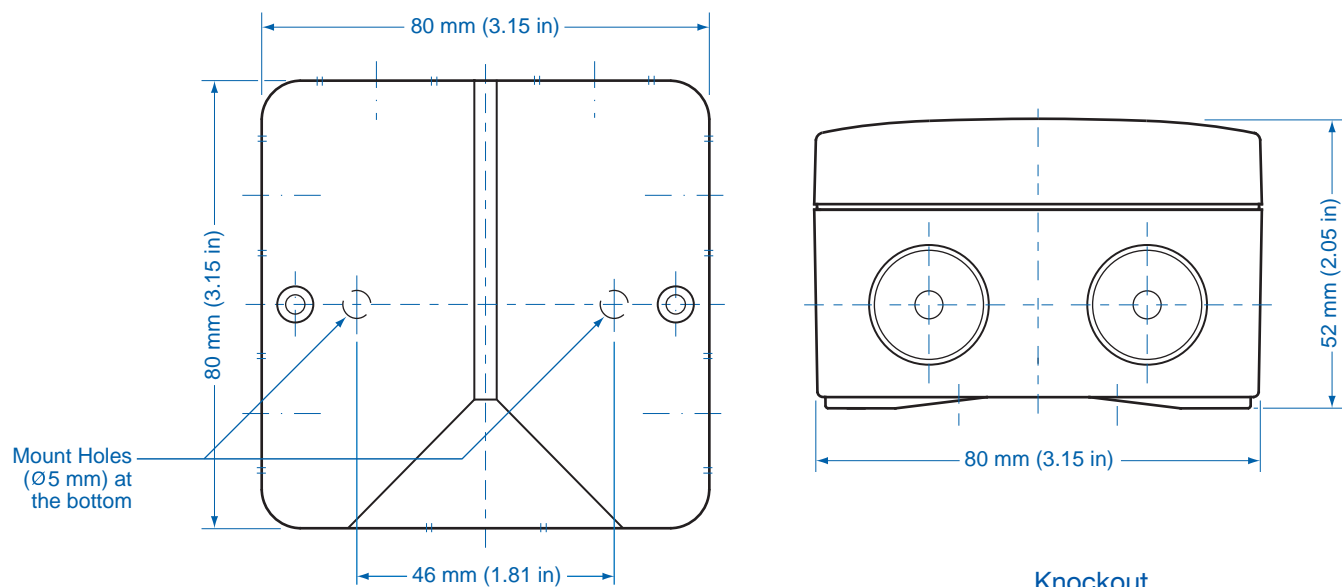
## Abox-i

Ordering Information	Cat. No.	Terminal	Length	Dimensions mm (in)		Std. Pk.
				Width	Height	
Enclosure with terminals	490-402	2.5/4 mm <sup>2</sup> - 5 pole	80 mm (3.15 in)	80 mm (3.15 in)	52 mm (2.05 in)	5
Enclosure - empty	490-902	NA	80 mm (3.15 in)	80 mm (3.15 in)	52 mm (2.05 in)	5

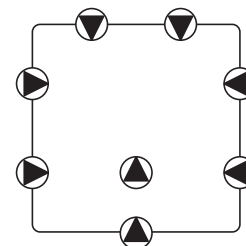
## Accessories

Ordering Information	Cat. No.	Type	Std. Pk.
Terminal (base mount)	840-004	2.5/4 mm <sup>2</sup> - 5 pole	10

Please refer to pages 149-152 for additional accessories and detailed information.



## Knockout Detail



**Standard Features**

- **Protection Level:** IP65
- **Technical:** Self Sealing, Soft Elastic Membranes  
Suitable for Metric Entry
- **Sealing Area:** M20 - 2 to 16mm
- **UL Recognized**
- **Enclosure Material:** Polycarbonate
- **Gasket Material:** Polyurethane
- **Color:** Light Gray
- **Material**
- **Temperature Range:** Polycarbonate  
-40°C to 120°C (-40°F to 248°F)
- **Accessories:** See section below



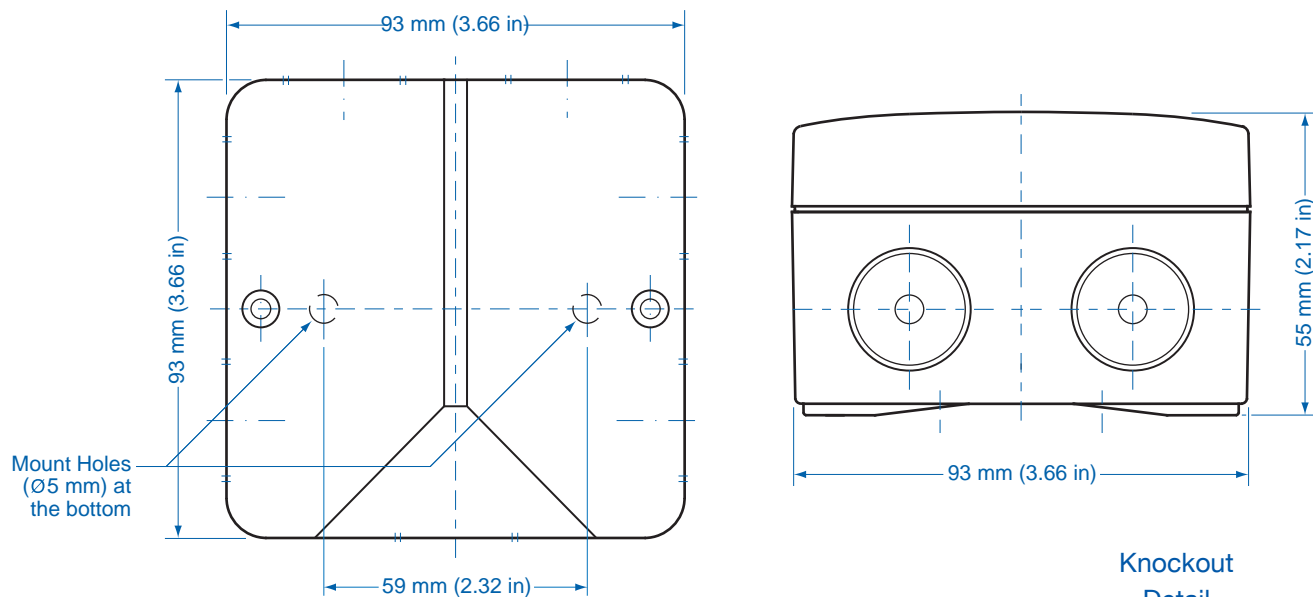
**Abox-i**

Ordering Information	Cat. No.	Terminal	Length	Dimensions mm (in) Width	Height	Std. Pk.
Enclosure with terminals	490-404	2.5/4 mm <sup>2</sup> - 5 pole	93 mm (3.66 in)	93 mm (3.66 in)	55 mm (2.17 in)	4
Enclosure - empty	490-904	NA	93 mm (3.66 in)	93 mm (3.66 in)	55 mm (2.17 in)	4

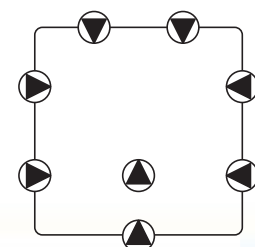
**Accessories**

Ordering Information	Cat. No.	Type	Std. Pk.
Terminal (base mount)	840-004	2.5/4 mm <sup>2</sup> - 5 pole	10

Please refer to pages 149-152 for additional accessories and detailed information.



**Knockout Detail**



# Abox-i 060 – Polycarbonate – 110 x 110 mm (4.33 x 4.33 in.)

## Standard Features

- **Protection Level:** IP65
- **Technical:** Knockout Sidewalls
- **UL Recognized**
- **Enclosure Material:** Polycarbonate
- **Gasket Material:** Polyurethane
- **Color:** Light Gray
- **Material**
- **Temperature Range:** Polycarbonate  
-40°C to 120°C (-40°F to 248°F)
- **Included Accessories:** (4) M25 Double Membrane Seals - 9-16mm
- **Accessories:** See section below



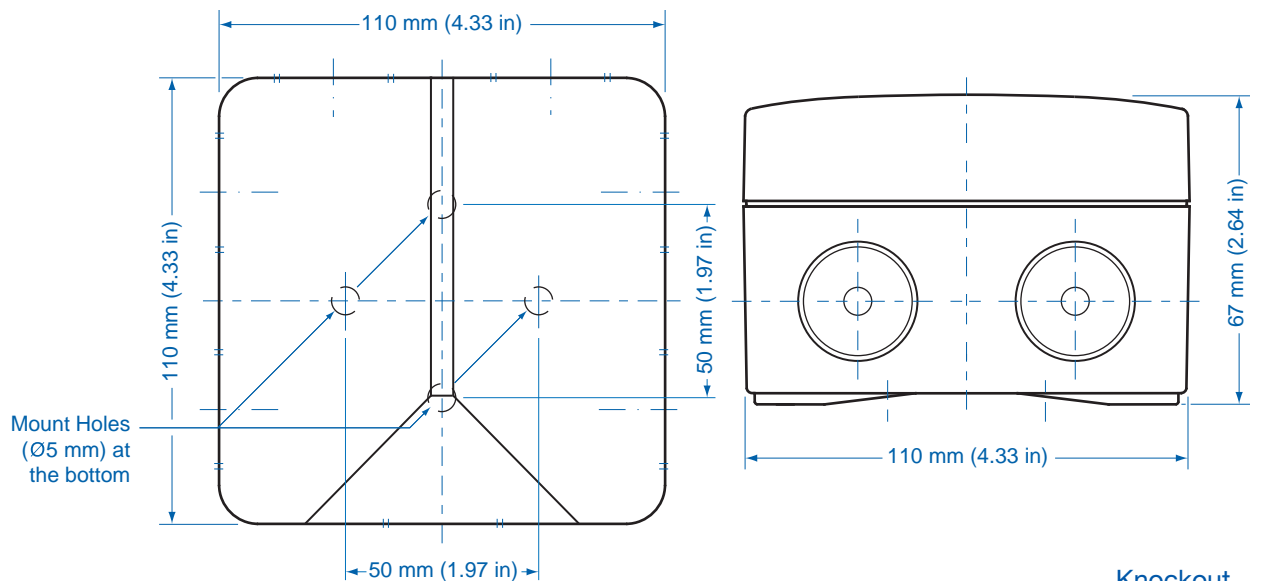
## Abox-i

Ordering Information	Cat. No.	Terminal	Length	Dimensions mm (in)		Std. Pk.
				Width	Height	
Enclosure with terminals	490-406	6mm <sup>2</sup> - 5 pole	110 mm (4.33 in)	110 mm (4.33 in)	67 mm (2.64 in)	2
Enclosure - empty	490-906	NA	110 mm (4.33 in)	110 mm (4.33 in)	67 mm (2.64 in)	2

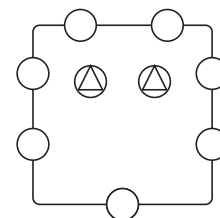
## Accessories

Ordering Information	Cat. No.	Type	Std. Pk.
Mounting Plate	895-006	MP060	1
DIN Rail TS35 -35x81mm	198-081	TS35/81	1
Terminal (high-set)	840-006	6mm <sup>2</sup> - 5 pole	5

Please refer to pages 149-152 for additional accessories and detailed information.



### Knockout Detail





**Standard Features**

- **Protection Level:** IP65
- **Technical:** Knockout Sidewalls
- **UL Recognized**
- **Enclosure Material:** Polycarbonate
- **Gasket Material:** Polyurethane
- **Color:** Light Gray
- **Material**
- **Temperature Range:** Polycarbonate  
-40°C to 120°C (-40°F to 248°F)
- **Included Accessories:** (4) M32 Double Membrane Seals - 14-21mm
- **Accessories:** See section below



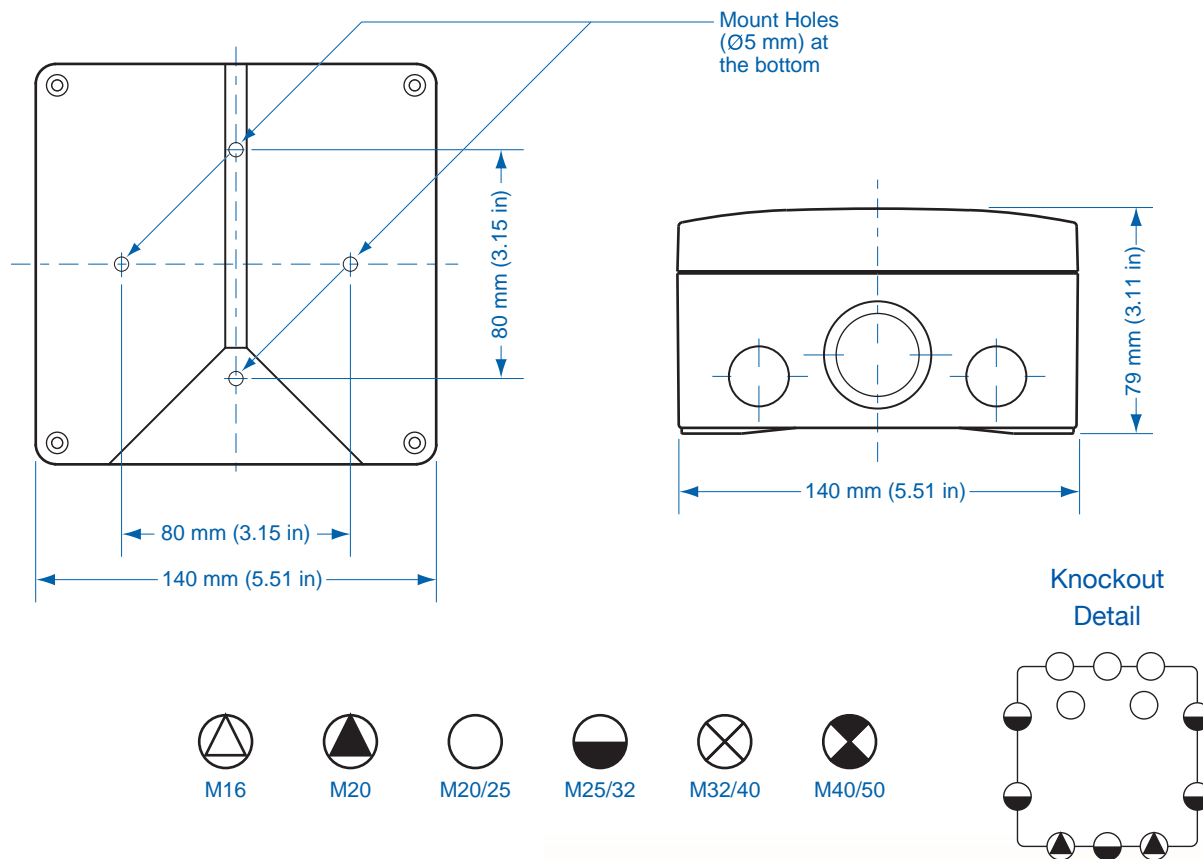
**Abox-i**

Ordering Information	Cat. No.	Terminal	Length	Dimensions mm (in) Width	Height	Std. Pk.
Enclosure with terminals	490-410	10 mm <sup>2</sup> - 5 pole	140 mm (5.51 in)	140 mm (5.51 in)	79 mm (3.11 in)	2
Enclosure - empty	490-910	NA	140 mm (5.51 in)	140 mm (5.51 in)	79 mm (3.11 in)	2

**Accessories**

Ordering Information	Cat. No.	Type	Std. Pk.
Mounting Plate	895-010	MP100	1
DIN Rail TS35 - 35x106mm	198-106	TS35/106	1
Terminal (high-set)	840-010	10 mm <sup>2</sup> - 5 pole	5

Please refer to pages 149-152 for additional accessories and detailed information.



## Abox-i 160 – Polycarbonate – 180 x 180 mm (7.09 x 7.09 in.)

### Standard Features

- **Protection Level:** IP65
- **Technical:** Knockout Sidewalls
- **UL Recognized**
- **Enclosure Material:** Polycarbonate
- **Gasket Material:** Polyurethane
- **Color:** Light Gray
- **Material**
- **Temperature Range:** Polycarbonate  
-40°C to 120°C (-40°F to 248°F)
- **Included Accessories:** Tamper Kit
- **Accessories:** See section below



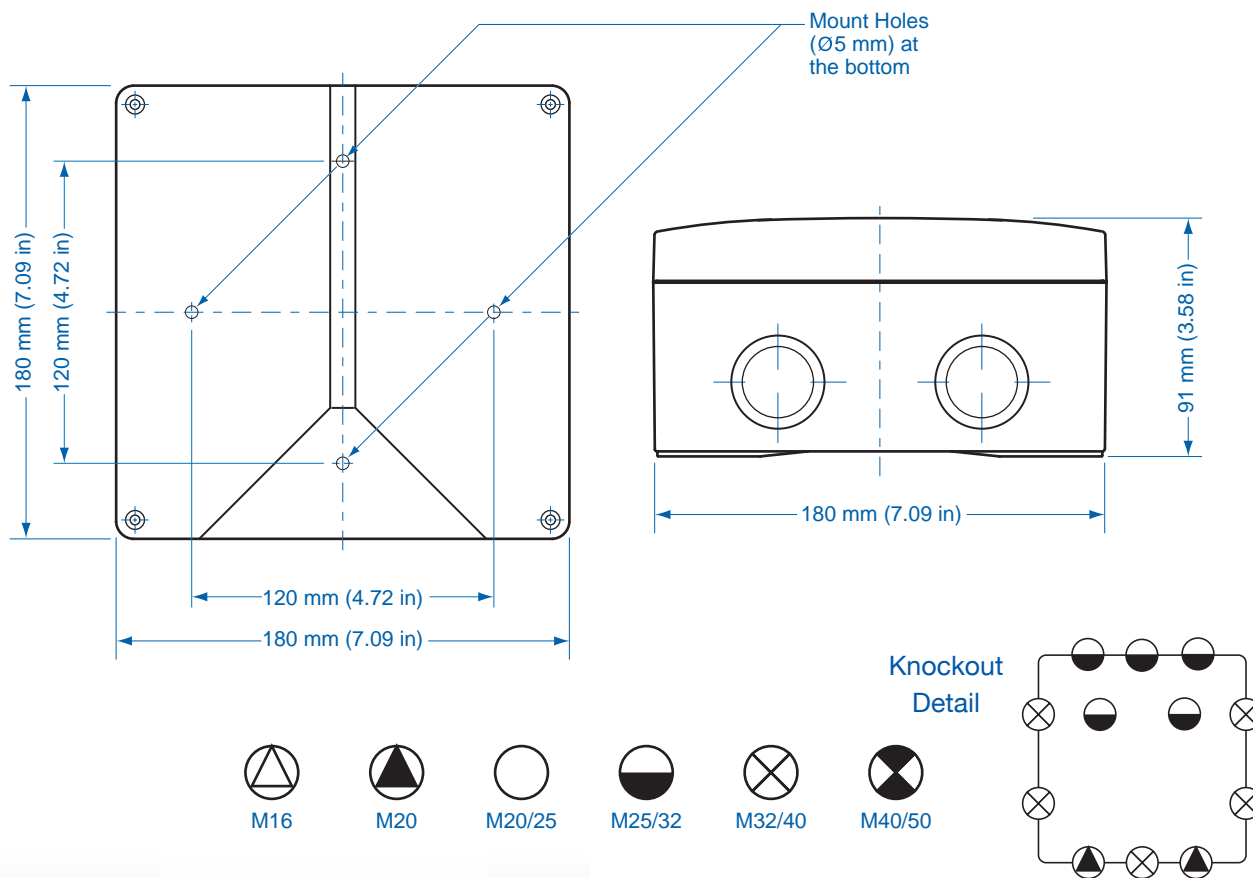
### Abox-i

Ordering Information	Cat. No.	Terminal	Length	Dimensions mm (in)		Std. Pk.
				Width	Height	
Enclosure with terminals	490-416	16/25 mm <sup>2</sup> - 5 pole	180 mm (7.09 in)	180 mm (7.09 in)	91 mm (3.58 in)	1
Enclosure - empty	490-916	NA	180 mm (7.09 in)	180 mm (7.09 in)	91 mm (3.58 in)	1

### Accessories

Ordering Information	Cat. No.	Type	Std. Pk.
Mounting Plate	895-016	MP160	1
DIN Rail TS35 - 35x144mm	894-016	TS35/144	1
Terminal (high-set)	840-016	16/25 mm <sup>2</sup> - 5 pole	2

Please refer to pages 149-152 for additional accessories and detailed information.



**Standard Features**

- **Protection Level:** IP65
- **Technical:** Knockout Sidewalls
- **UL Recognized**
- **Enclosure Material:** Polycarbonate
- **Gasket Material:** Polyurethane
- **Color:** Light Gray
- **Material**
- **Temperature Range:** Polycarbonate  
-40°C to 120°C (-40°F to 248°F)
- **Included Accessories:** Tamper Kit
- **Accessories:** See section below



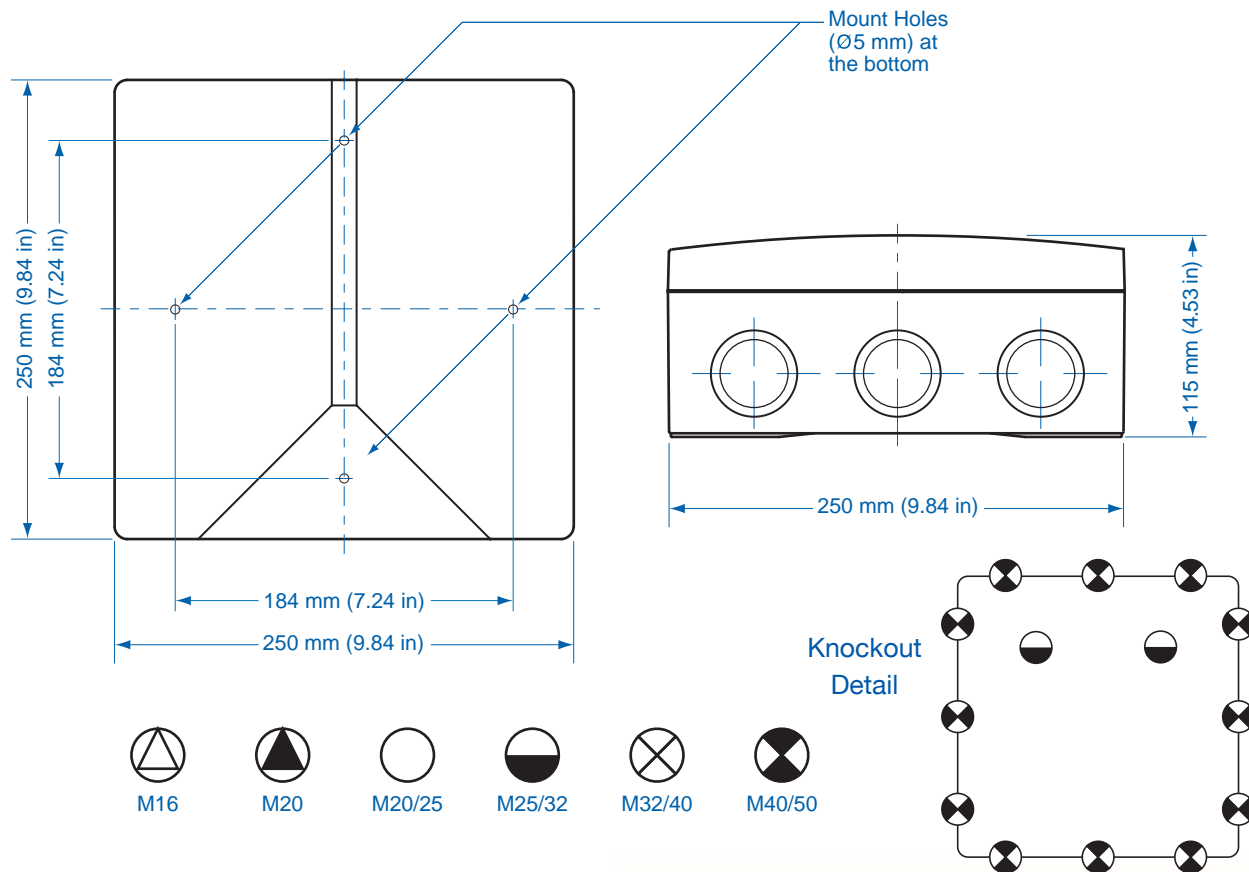
**Abox-i**

Ordering Information	Cat. No.	Terminal	Length	Dimensions mm (in)		Std. Pk.
				Width	Height	
Enclosure with terminals	490-435	35/25 mm <sup>2</sup> - 5 pole	250 mm (9.84 in)	250 mm (9.84 in)	115 mm (4.53 in)	1
Enclosure - empty	490-935	NA	250 mm (9.84 in)	250 mm (9.84 in)	115 mm (4.53 in)	1

**Accessories**

Ordering Information	Cat. No.	Type	Std. Pk.
Mounting Plate	895-035	MP350	1
DIN Rail TS35 - 35x216mm	894-035	TS35/216	1
Terminal (high-set)	840-035	35/25 mm <sup>2</sup> - 5 pole	1

Please refer to pages 149-152 for additional accessories and detailed information.



The image displays several AKL Series enclosures of various sizes and configurations. Some are shown with their doors open, revealing internal DIN rail slots and knockout patterns. The enclosures are white and have a smooth, rectangular design. Blue technical drawings and dimension lines are overlaid on the image, indicating a 150 mm (5.91 in.) center-to-center spacing for the DIN rails and a 132 mm (5.20 in.) width for one of the units. The background is a gradient of blue and green.

# AKL Series

AKL Enclosures are very similar to their door bearing cousins, the AKII. The main feature that differentiates this family from the AKII is the configuration of the covers and bases.

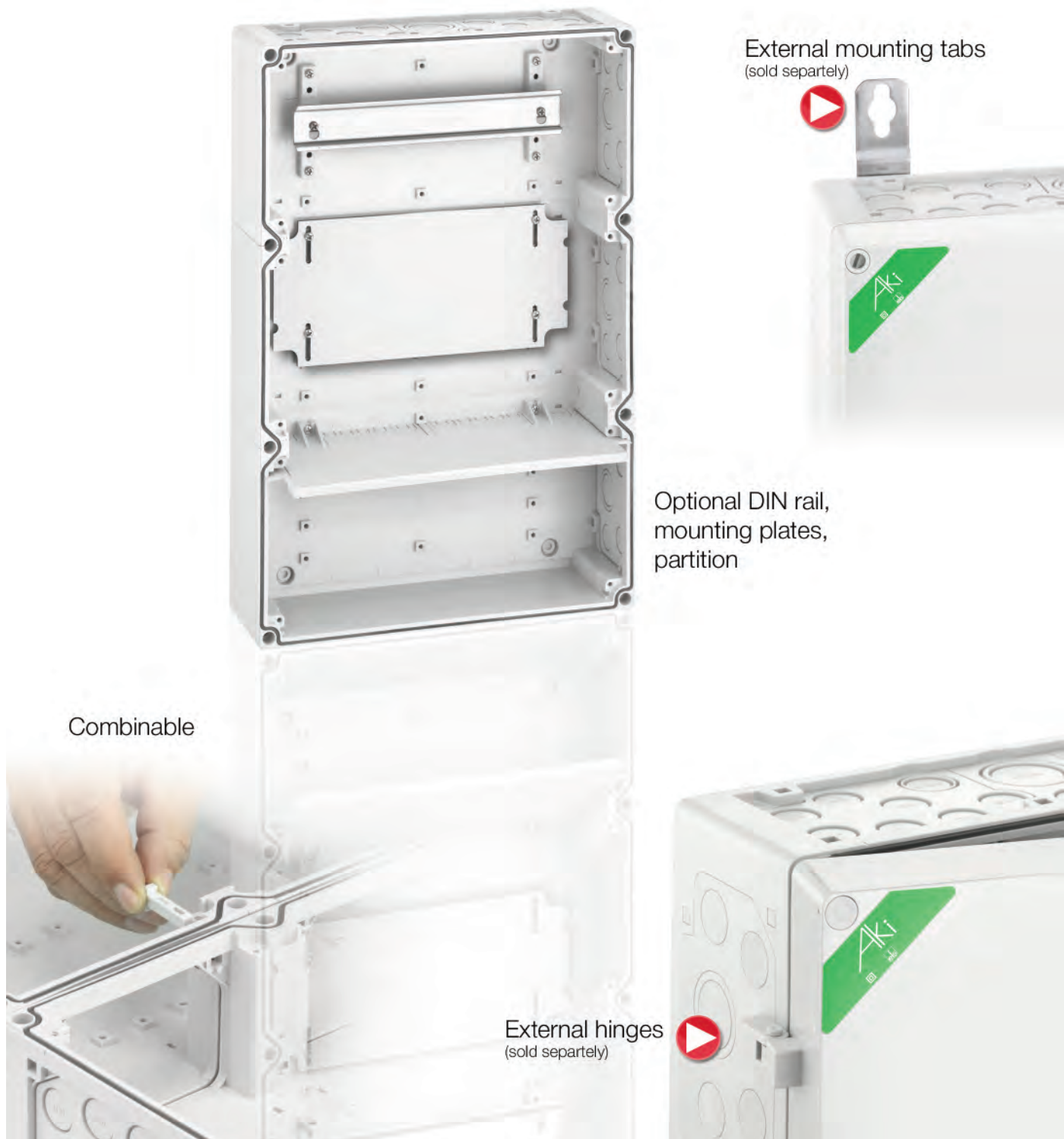
The AKL Series, like the AKII Series, features aesthetically pleasing smooth exterior walls. Knockout patterns are on the inside, except on the top where standard knockouts exist.

The AKL Series offers larger sizes, ranging from 150 x 300 x 142 mm (5.91 x 11.81 x 5.59 in.) to 600 x 300 x 210 mm (23.62 x 11.81 x 8.27 in.). Some models feature low or high covers, available in gray or tinted transparent. Standardized dimensions allow for joining multiple AKL

Enclosures or combining AKII and AKL Enclosures with a common combination kit to create larger enclosure combinations.

As with the AKII, the AKL family features the same 150 mm (5.91 in.) center to center DIN rail spacing. The standard ingress protection level when using appropriate strain reliefs is IP65.

## AKL has you covered



External mounting tabs  
(sold separately)

Optional DIN rail,  
mounting plates,  
partition

Combinable

External hinges  
(sold separately)

## AKL1 – Polystyrene and Polycarbonate – 150 x 300 mm (5.91 x 11.81 in.)

### Standard Features

- **Protection Level:** IP65
- **Technical:** Knockout Sidewalls  
Gray or Tinted Transparent Cover  
Multiple Enclosure Combination Options
- **UL Recognized Enclosure Materials:** Polystyrene or Polycarbonate
- **Transparent Cover Material:** Polycarbonate
- **Gasket Material:** Polyurethane
- **Color:** Light Gray
- **Material Temperature Range:** Polystyrene  
-40°C to 70°C (-40°F to 158°F)  
Polycarbonate  
-40°C to 120°C (-40°F to 248°F)
- **Included Accessories:** (1) M20 Double Membrane Seals  
(2) M25 Double Membrane Seals  
(2) M32 Double Membrane Seals  
(1) M40 Entry Spout
- **Accessories:** See section below



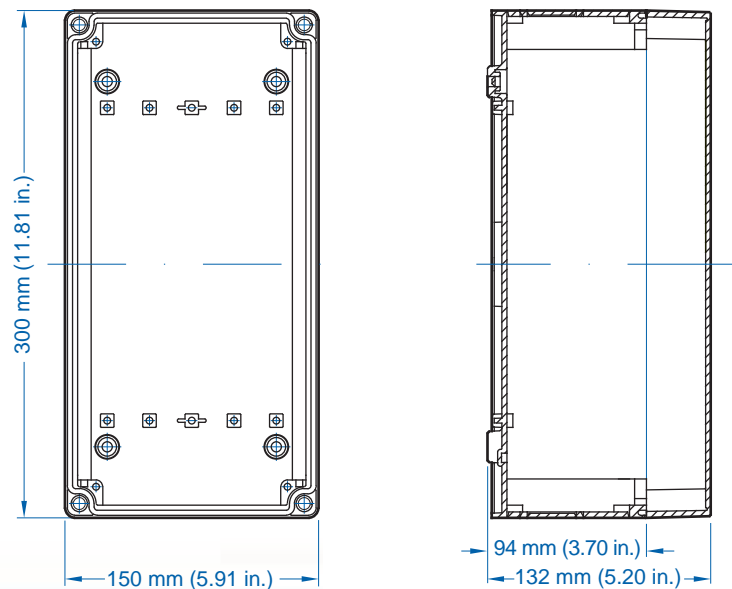
### AKL

Ordering Information	Cat. No.	Cover Type / Color	Length	Dimensions mm (in) Width	Height	Std. Pk.
<b>Polystyrene</b>						
Enclosure - low cover	740-401	AKL 1-g / gray	150 mm (5.91 in.)	300 mm (11.81 in.)	132 mm (5.20 in)	1
Transparent - low cover	744-001	AKL 1-t / trans.	150 mm (5.91 in.)	300 mm (11.81 in.)	132 mm (5.20 in)	1
<b>Polycarbonate</b>						
Enclosure - low cover	741-401	AKi 1-g / gray	150 mm (5.91 in.)	300 mm (11.81 in.)	132 mm (5.20 in)	1
Transparent - low cover	745-001	AKi 1-t / trans.	150 mm (5.91 in.)	300 mm (11.81 in.)	132 mm (5.20 in)	1

### Accessories

Ordering Information	Cat. No.	Type	Std. Pk.
Mounting Plate – 240 x 112 mm	795-001	AKMPI 1	1
DIN Rail – 216 mm Surface Mounted	795-030	NS35-216/3	1
Hinge Kit Set	190-005	HK2	1
Mounting Tab Kit (metal)	793-004	MT2	1

Please refer to pages 149-152 for additional accessories and detailed information



Please refer to page 158 for Knockout details.

## Standard Features

- **Protection Level:** IP65
- **Technical:** Knockout Sidewalls  
Gray or Tinted Transparent Cover  
Multiple Enclosure Combination Options
- **UL Recognized Enclosure Materials:** Polystyrene or Polycarbonate
- **Transparent Cover Material:** Polycarbonate
- **Gasket Material:** Polyurethane
- **Color:** Light Gray
- **Material Temperature Range:** Polystyrene  
-40°C to 70°C (-40°F to 158°F)  
Polycarbonate  
-40°C to 120°C (-40°F to 248°F)
- **Included Accessories:** (10) M20 Double Membrane Seals  
(2) M25 Double Membrane Seals  
(2) M32 Double Membrane Seals  
(1) M40 Entry Spout
- **Accessories:** See section below



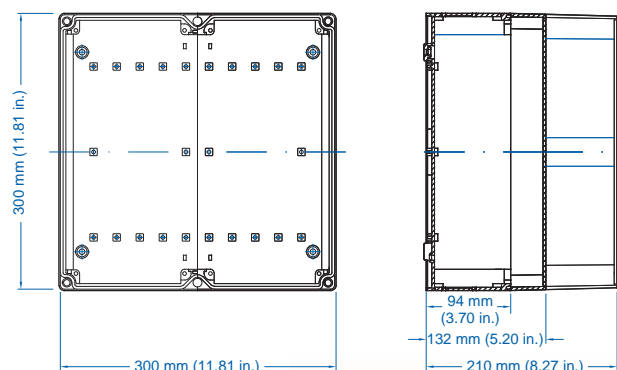
## AKL

Ordering Information	Cat. No.	Cover Type / Color	Length	Dimensions mm (in) Width	Height	Std. Pk.
<b>Polystyrene</b>						
Enclosure - low cover	740-402	AKL 2-g / gray	300 mm (11.81 in.)	300 mm (11.81 in.)	132 mm (5.20 in)	1
Enclosure - high cover	742-902	AKL 2-gh / gray	300 mm (11.81 in.)	300 mm (11.81 in.)	210 mm (8.27 in)	1
Transparent - low cover	744-002	AKL 2-t / trans.	300 mm (11.81 in.)	300 mm (11.81 in.)	132 mm (5.20 in)	1
Transparent - high cover	746-902	AKL 2-th / trans.	300 mm (11.81 in.)	300 mm (11.81 in.)	210 mm (8.27 in)	1
<b>Polycarbonate</b>						
Enclosure - low cover	741-402	AKi 2-g / gray	300 mm (11.81 in.)	300 mm (11.81 in.)	132 mm (5.20 in)	1
Enclosure - high cover	743-902	AKi 2-gh / gray	300 mm (11.81 in.)	300 mm (11.81 in.)	210 mm (8.27 in)	1
Transparent - low cover	745-002	AKi 2-t / trans.	300 mm (11.81 in.)	300 mm (11.81 in.)	132 mm (5.20 in)	1
Transparent - high cover	747-902	AKi 2-th / trans.	300 mm (11.81 in.)	300 mm (11.81 in.)	210 mm (8.27 in)	1

## Accessories

Ordering Information	Cat. No.	Type	Std. Pk.
Mounting Plate (plastic) – 240 x 240 mm	795-002	AKMPI 2	1
Mounting Plate (steel) – 240 x 240 mm	795-012	AKMPS 2	1
DIN Rail – 250 mm Clip-in	562-735	CITS35/250	1
DIN Rail – 216 mm Surface Mounted	795-030	NS35-216/3	1
Hinge Kit Set	190-005	HK2	1
Mounting Tab Kit (metal)	793-004	MT2	1

Please refer to pages 149-152 for additional accessories and detailed information.



Please refer to page 158 for Knockout details.

## AKL3 – Polystyrene and Polycarbonate – 450 x 300 mm (17.72 x 11.81 in.)

### Standard Features

- **Protection Level:** IP65
- **Technical:** Knockout Sidewalls  
Gray or Tinted Transparent Cover  
Multiple Enclosure Combination Options
- **UL Recognized Enclosure Materials:** Polystyrene or Polycarbonate
- **Transparent Cover Material:** Polycarbonate
- **Gasket Material:** Polyurethane
- **Color:** Light Gray
- **Material Temperature Range:** Polystyrene  
-40°C to 70°C (-40°F to 158°F)  
Polycarbonate  
-40°C to 120°C (-40°F to 248°F)
- **Included Accessories:** (10) M20 Double Membrane Seals  
(2) M25 Double Membrane Seals  
(2) M32 Double Membrane Seals  
(1) M40 Entry Spout
- **Accessories:** See section below



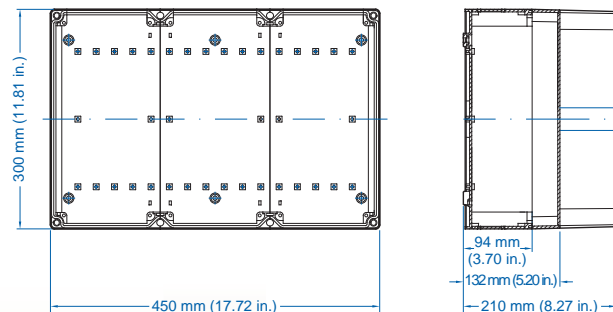
### AKL

Ordering Information	Cat. No.	Cover Type / Color	Length	Dimensions mm (in) Width	Height	Std. Pk.
<b>Polystyrene</b>						
Enclosure - low cover	740-403	AKL 3-g / gray	450 mm (17.72 in.)	300 mm (11.81 in.)	132 mm (5.20 in)	1
Enclosure - high cover	742-903	AKL 3-gh / gray	450 mm (17.72 in.)	300 mm (11.81 in.)	210 mm (8.27 in)	1
Transparent - low cover	744-003	AKL 3-t / trans.	450 mm (17.72 in.)	300 mm (11.81 in.)	132 mm (5.20 in)	1
Transparent - high cover	746-903	AKL 3-th / trans.	450 mm (17.72 in.)	300 mm (11.81 in.)	210 mm (8.27 in)	1
<b>Polycarbonate</b>						
Enclosure - low cover	741-403	AKI 3-g / gray	450 mm (17.72 in.)	300 mm (11.81 in.)	132 mm (5.20 in)	1
Enclosure - high cover	743-903	AKI 3-gh / gray	450 mm (17.72 in.)	300 mm (11.81 in.)	210 mm (8.27 in)	1
Transparent - low cover	745-003	AKI 3-t / trans.	450 mm (17.72 in.)	300 mm (11.81 in.)	132 mm (5.20 in)	1
Transparent - high cover	747-903	AKI 3-th / trans.	450 mm (17.72 in.)	300 mm (11.81 in.)	210 mm (8.27 in)	1

### Accessories

Ordering Information	Cat. No.	Type	Std. Pk.
Mounting Plate (plastic) – 240 x 390 mm	795-003	AKMPI 3	1
Mounting Plate (steel) – 240 x 390 mm	795-013	AKMPS 3	1
DIN Rail – 250 mm Clip-in	562-735	CITS35/250	1
DIN Rail – 216 mm Surface Mounted	795-030	NS35-216/3	1
Hinge Kit Set	190-005	HK2	1
Mounting Tab Kit (metal)	793-004	MT2	1

Please refer to pages 149-152 for additional accessories and detailed information.



Please refer to page 158 for Knockout details.



## Standard Features

- **Protection Level:** IP65
- **Technical:** Knockout Sidewalls  
Gray or Tinted Transparent Cover  
Multiple Enclosure Combination Options
- **UL Recognized Enclosure Materials:** Polystyrene or Polycarbonate
- **Transparent Cover Material:** Polycarbonate
- **Gasket Material:** Polyurethane
- **Color:** Light Gray
- **Material Temperature Range:** Polystyrene  
-40°C to 70°C (-40°F to 158°F)  
Polycarbonate  
-40°C to 120°C (-40°F to 248°F)
- **Included Accessories:** (10) M20 Double Membrane Seals  
(2) M25 Double Membrane Seals  
(2) M32 Double Membrane Seals  
(1) M40 Entry Spout
- **Accessories:** See section below



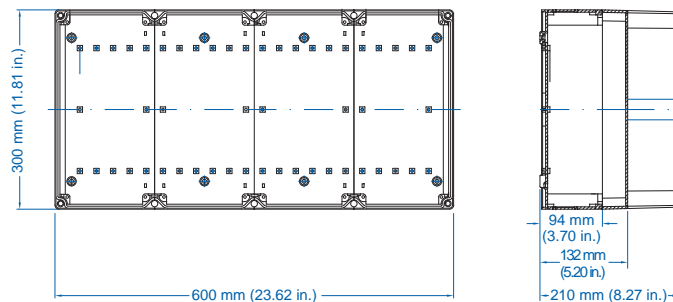
## AKL

Ordering Information	Cat. No.	Cover Type / Color	Length	Dimensions mm (in) Width	Height	Std. Pk.
<b>Polystyrene</b>						
Enclosure - low cover	740-404	AKL 4-g / gray	600 mm (23.62 in.)	300 mm (11.81 in.)	132 mm (5.20 in)	1
Enclosure - high cover	742-904	AKL 4-gh / gray	600 mm (23.62 in.)	300 mm (11.81 in.)	210 mm (8.27 in)	1
Transparent - low cover	744-004	AKL 4-t / trans.	600 mm (23.62 in.)	300 mm (11.81 in.)	132 mm (5.20 in)	1
Transparent - high cover	746-904	AKL 4-th / trans.	600 mm (23.62 in.)	300 mm (11.81 in.)	210 mm (8.27 in)	1
<b>Polycarbonate</b>						
Enclosure - low cover	741-404	AKI 4-g / gray	600 mm (23.62 in.)	300 mm (11.81 in.)	132 mm (5.20 in)	1
Enclosure - high cover	743-904	AKI 4-gh / gray	600 mm (23.62 in.)	300 mm (11.81 in.)	210 mm (8.27 in)	1
Transparent - low cover	745-004	AKI 4-t / trans.	600 mm (23.62 in.)	300 mm (11.81 in.)	132 mm (5.20 in)	1
Transparent - high cover	747-904	AKI 4-th / trans.	600 mm (23.62 in.)	300 mm (11.81 in.)	210 mm (8.27 in)	1

## Accessories

Ordering Information	Cat. No.	Type	Std. Pk.
Mounting Plate (plastic) – 240 x 540 mm	795-004	AKMPI 4	1
Mounting Plate (steel) – 240 x 540 mm	795-014	AKMPS 4	1
DIN Rail – 250 mm Clip-in	562-735	CITS35/250	1
DIN Rail – 216 mm Surface Mounted	795-030	NS35-216/3	1
Hinge Kit Set	190-005	HK2	1
Mounting Tab Kit (metal)	793-004	MT2	1

Please refer to pages 149-152 for additional accessories and detailed information.



Please refer to page 158 for Knockout details.



# EK Series

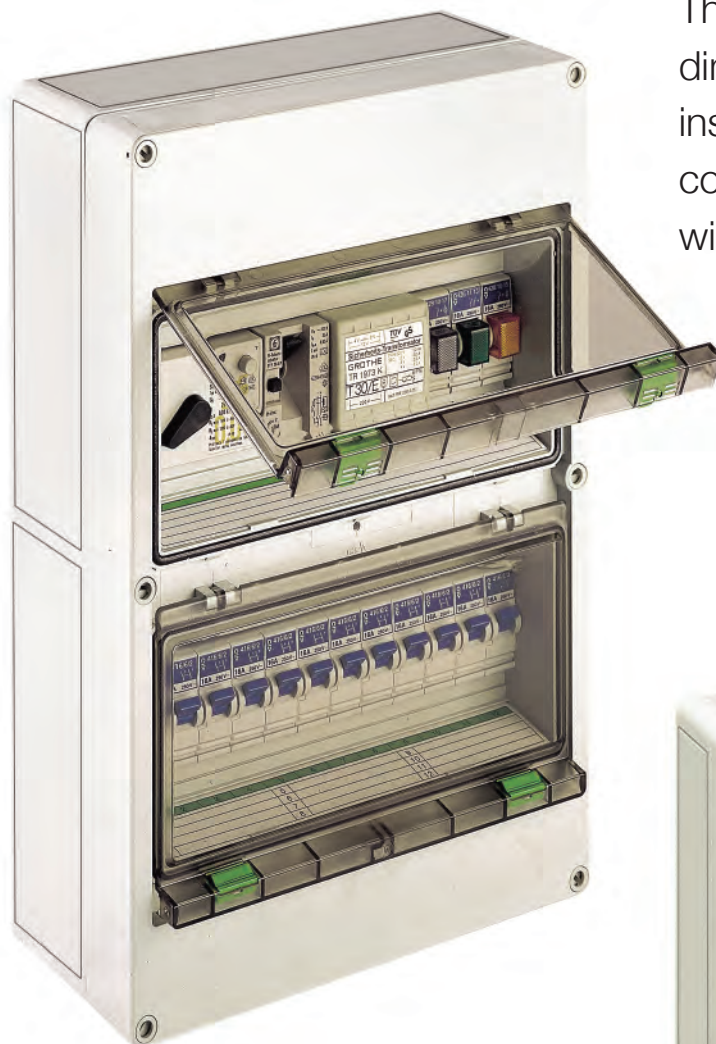
Compact EK Series Enclosures are designed to house and protect standard IEC components, such as DIN rail mount circuit breakers, switches, meters and other control devices.

The unique cover design features a shrouded cut out and transparent hinged doors, for quick access and visibility. The shrouded cut out, spanning the width of the cover, exposes mounted components for easy adjustment and isolates wiring for increased safety. The transparent hinged doors have push release latches and can be optionally equipped with a tamper seal.

- UL Listed
- Direct mount
- Small to medium size
- Polycarbonate base and cover
- Integral seals
- Dust and moisture proof
- IP65 protection
- High mechanical strength
- Corrosion and maintenance free
- Halogen free

## EK compact design

The EK Series features compact dimensions for space-efficient installation, while offering sufficient connection space for a secure wiring job.



The transparent doors make for an ideal display of timers, LEDs, circuit breakers, and other DIN rail mount devices. Access to components is quick and easy.

## EK002 – Polycarbonate – 130 x 94 mm (5.12 x 3.70 in.)

### Standard Features

- **Protection Level:** IP65 - Nema Type 4x
- **Technical:** Fits 2 Circuit Breaker Poles  
(3 if side pieces are removed)  
Smooth Sidewalls  
Tinted Transparent Door
- **Enclosure Material:** Polycarbonate
- **Door Material:** Polycarbonate
- **Gasket Material:** Polyurethane
- **Material Temperature Range:** -40°C to 120°C (-40°F to 248°F)
- **Color:** Light Gray
- **Included Accessories:** 35mm DIN Rail  
Label Strip
- **Accessories:** See section below



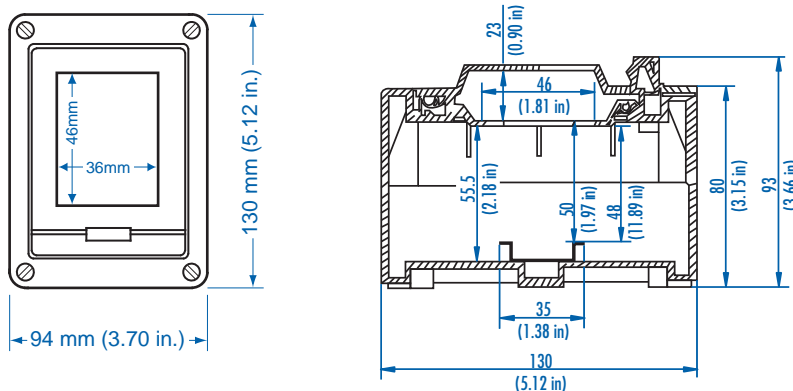
### EK

Ordering Information	Cat. No.	Type	Length	Dimensions mm (in)			Std. Pk.
				Width	Height		
Enclosure	542-502	EK002	130 mm (5.12 in)	94 mm (3.70 in)	80 mm (3.15 in)	1	

### Accessories

Ordering Information	Cat. No.	Type	Std. Pk.
Terminal	X-573	PE/N Terminal - 3 pole (1x16 / 2x6 mm <sup>2</sup> )	1
Filler Strip	799-012	108 mm piece (6 divisions)	1

Please refer to pages 149-152 for additional accessories and detailed information.



**Standard Features**

- **Protection Level:** IP65 - Nema Type 4x
- **Technical:** Fits 4 Circuit Breaker Poles  
Smooth Sidewalls  
Tinted Transparent Door
- **Enclosure Material:** Polycarbonate
- **Door Material:** Polycarbonate
- **Gasket Material:** Polyurethane
- **Material Temperature Range:** -40°C to 120°C (-40°F to 248°F)
- **Color:** Light Gray
- **Included Accessories:** 35mm DIN Rail  
Label Strip
- **Accessories:** See section below



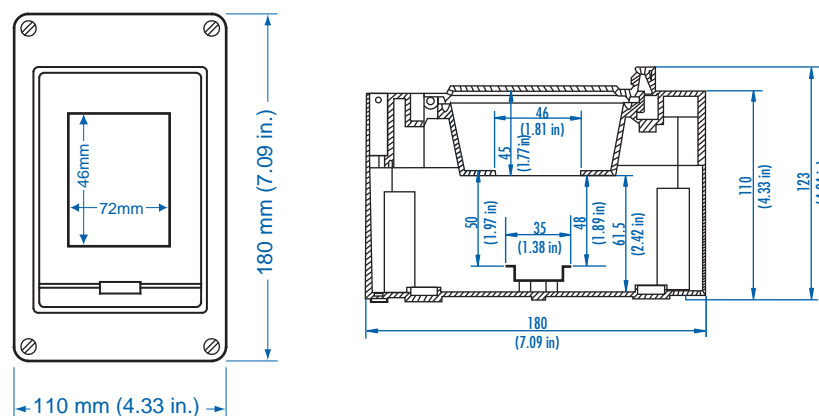
**EK**

Ordering Information	Cat. No.	Type	Length	Dimensions mm (in) Width	Height	Std. Pk.
Enclosure	542-504	EK004	180 mm (7.09 in)	110 mm (4.33 in)	110 mm (4.33 in)	1

**Accessories**

Ordering Information	Cat. No.	Type	Std. Pk.
Terminal	790-205	PE/N Terminal - 2x5 pole (2x16 / 3x6 mm <sup>2</sup> )	1
Filler Strip	799-012	108 mm piece (6 divisions)	1

Please refer to pages 149-152 for additional accessories and detailed information.



# EK008 – Polycarbonate – 180 x 182 mm (7.09 x 7.17 in.)

## Standard Features

- **Protection Level:** IP65 - Nema Type 4x
- **Technical:** Fits 8 Circuit Breaker Poles  
Smooth Sidewalls  
Tinted Transparent Door
- **Enclosure Material:** Polycarbonate
- **Door Material:** Polycarbonate
- **Gasket Material:** Polyurethane
- **Material**
- **Temperature Range:** -40°C to 120°C (-40°F to 248°F)
- **Color:** Light Gray
- **Included Accessories:** 35mm DIN Rail  
Label Strip
- **Accessories:** See section below



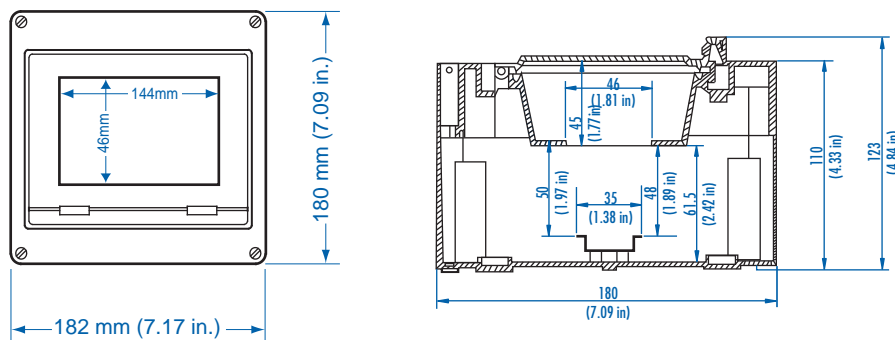
## EK

Ordering Information	Cat. No.	Type	Length	Dimensions mm (in)		Std. Pk.
				Width	Height	
Enclosure	542-508	EK008	180 mm (7.09 in)	182 mm (7.17 in)	110 mm (4.33 in)	1

## Accessories

Ordering Information	Cat. No.	Type	Std. Pk.
Terminal	790-207	PE/N Terminal - 2x7 pole (2x16 / 5x6 mm <sup>2</sup> )	1
Filler Strip	799-012	108 mm piece (6 divisions)	1

Please refer to pages 149-152 for additional accessories and detailed information.



**Standard Features**

- **Protection Level:** IP65 - Nema Type 4x
- **Technical:** Fits 12 Circuit Breaker Poles  
Smooth Sidewalls  
Tinted Transparent Door
- **Enclosure Material:** Polycarbonate
- **Door Material:** Polycarbonate
- **Gasket Material:** Polyurethane
- **Material**
- **Temperature Range:** -40°C to 120°C (-40°F to 248°F)
- **Color:** Light Gray
- **Included Accessories:** 35mm DIN Rail  
Label Strip
- **Accessories:** See section below



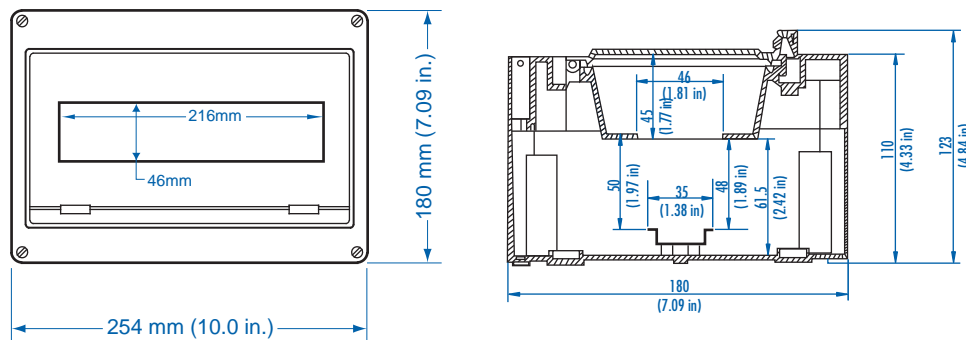
**EK**

Ordering Information	Cat. No.	Type	Length	Dimensions mm (in)		Std. Pk.
				Width	Height	
Enclosure	542-512	EK012	180 mm (7.09 in)	254 mm (10.00 in)	110 mm (4.33 in)	1

**Accessories**

Ordering Information	Cat. No.	Type	Std. Pk.
Terminal	790-211	PE/N Terminal - 2x12 pole (2x16 / 10x6 mm <sup>2</sup> )	1
Filler Strip	799-012	108 mm piece (6 divisions)	1

Please refer to pages 149-152 for additional accessories and detailed information.



# EK024 – Polycarbonate – 361 x 254 mm (14.21 x 10.00 in.)

## Standard Features

- **Protection Level:** IP65 - Nema Type 4x
- **Technical:** Fits 24 Circuit Breaker Poles (12 per section)  
Smooth Sidewalls  
Tinted Transparent Door
- **Enclosure Material:** Polycarbonate
- **Door Material:** Polycarbonate
- **Gasket Material:** Polyurethane
- **Material Temperature Range:** -40°C to 120°C (-40°F to 248°F)
- **Color:** Light Gray
- **Included Accessories:** 2 ea. 35mm DIN Rail  
2 ea. Label Strips
- **Accessories:** See section below



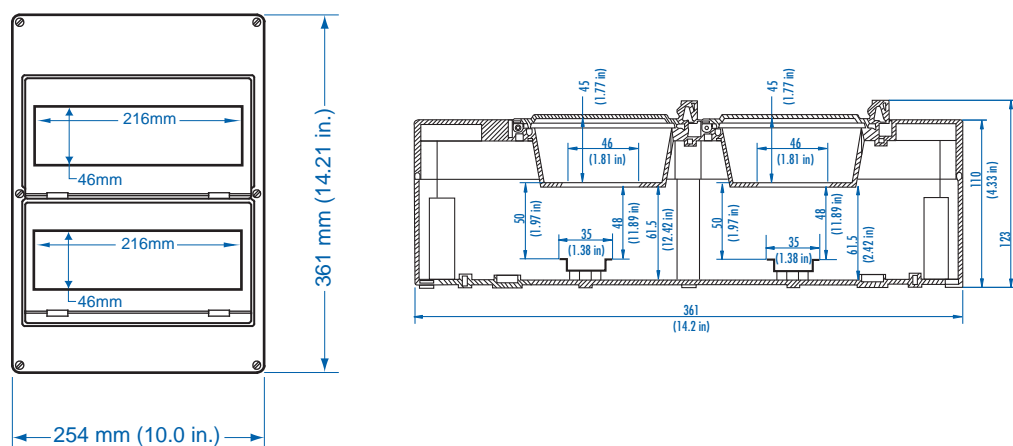
## EK

Ordering Information	Cat. No.	Type	Length	Dimensions mm (in)		Std. Pk.
				Width	Height	
Enclosure	542-524	EK024	361 mm (14.21 in)	254 mm (10.00 in)	110 mm (4.33 in)	1

## Accessories

Ordering Information	Cat. No.	Type	Std. Pk.
Terminal	X-721-02	PE/N Terminal - 2x17 pole (1x25 / 4x16 / 12x6 mm <sup>2</sup> )	1
Filler Strip	799-012	108 mm piece (6 divisions)	1

Please refer to pages 149-152 for additional accessories and detailed information.





## Check Out Our latest Circuit Protection Device Catalog

Featuring NEW UL489 Miniature Circuit Breakers and NEW UL1077 Supplementary Protectors along with the industry leading UL508 Listed Manual Motor Controllers & UL Approved Busbar Systems.



Contact Altech today or download a  
catalog at [www.altechcorp.com](http://www.altechcorp.com)



# AK Series

The AK Series are small to large enclosures designed to house and protect standard IEC components, such as DIN rail mount circuit breakers, switches, meters and other control devices. Larger than the EK Series, they offer increased capacity for mounting components and provide additional space for more convenient wiring.

The unique cover design features a shrouded cut out and transparent hinged doors for quick access and visibility. The shrouded cut out, spanning the width of the cover, exposes mounted components for easy adjustment while isolating wiring for increased safety. Doors have push release latches with reversible hinge feature to open from the left or right side. Keylocks can be added to the doors for increased security. Most enclosures are supplied with removable

terminal strip assemblies for ground / neutral distribution and DIN rails.

Equipped with pre-installed entry plugs, these enclosures provide IP65 protection. Use of appropriate sealing connector assemblies for wire, cable or conduit entry can maintain IP65 protection. Using the entry spouts provided, enclosures have IP54 protection.

- Direct mount
- Corrosion and maintenance free
- Small to large size
- Polystyrene or Polycarbonate base and cover
- Polycarbonate transparent doors
- Integral seals
- High mechanical strength
- Dust and moisture proof
- Halogen free
- Up to IP65 protection

## AK - IEC Protection

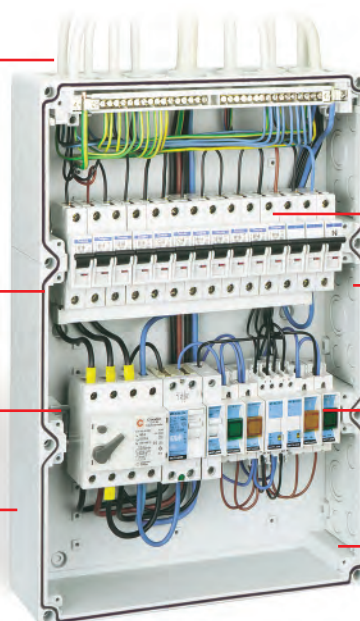


M20/Pg13.5 double membrane entry seals guarantee IP65 protection. These entries are also suited to accept threaded cord grips.

Removable sidewalls facilitate and allow enclosure combination with other AK or AKL models.

DIN Rail distance of 150 mm (5.91 in.) center to center gives room for comfortable and timely installations.

Smooth external sidewalls combine functionality with aesthetics.



Up to 14 components can be mounted to each DIN rail.

The enclosure material is impact and flame resistant Polystyrene.

Snap in 35 mm DIN rail.

The large number of pre-punched "holes" makes for easy cable installation.

# AK03 – Polystyrene and Polycarbonate - 100 x 150 mm (3.94 x 5.91 in.)

## Standard Features

- **Protection Level:** IP65
- **Technical:** Fits 3 Circuit Breaker Poles  
Knockout Sidewalls and Installed Double Membrane Seals  
Tinted Transparent Door
- **UL Recognized**
- **Enclosure Materials:** Polystyrene or Polycarbonate
- **Door Material:** Polycarbonate
- **Gasket Material:** Polyurethane
- **Material**
- **Temperature Range:** Polystyrene  
-40°C to 70°C (-40°F to 158°F)  
Polycarbonate  
-40°C to 120°C (-40°F to 248°F)
- **Color:** Light Gray
- **Included Accessories:** DIN Rail, 2x4 Pole Ground/Neutral Terminal Strip, Filler Strips, (3) M20 Double Membrane Seals



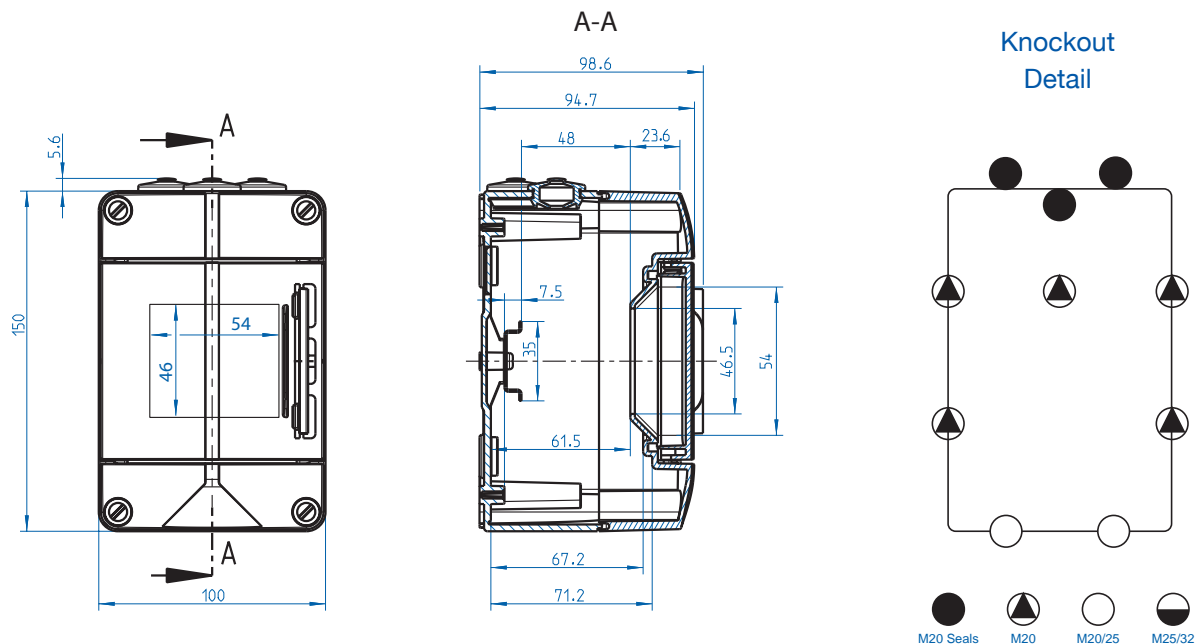
## AK03

Ordering Information	Cat. No.	Type	Length	Dimensions mm (in) Width	Height	Std. Pk.
<b>Polystyrene</b>						
Enclosure	735-403	AK03	100 mm (3.94 in)	150 mm (5.91 in)	96 mm (3.78 in)	1
<b>Polycarbonate</b>						
Enclosure	736-403	AKi03	100 mm (3.94 in)	150 mm (5.91 in)	96 mm (3.78 in)	1

## Accessories

Ordering Information	Cat. No.	Type	Std. Pk.
Key Lock	706-102	KL2	1
Terminal	790-204	PE/N Terminal - 2x4 pole (1x16 / 3x6 mm <sup>2</sup> )	1
Filler Strip	799-012	108 mm piece (6 divisions)	1

Please refer to pages 149-152 for additional accessories and detailed information.



### Standard Features

- **Protection Level:** IP65
- **Technical:** Fits 5 Circuit Breaker Poles  
Knockout Sidewalls and Installed Double Membrane Seals  
Tinted Transparent Door
- **UL Recognized**
- **Enclosure Materials:** Polystyrene or Polycarbonate
- **Door Material:** Polycarbonate
- **Gasket Material:** Polyurethane
- **Material**
- **Temperature Range:** Polystyrene  
-40°C to 70°C (-40°F to 158°F)  
Polycarbonate  
-40°C to 120°C (-40°F to 248°F)
- **Color:** Light Gray
- **Included Accessories:** DIN Rail, 2x5 Pole Ground/Neutral Terminal Strip, Filler Strips, (4) M20 Double Membrane Seals



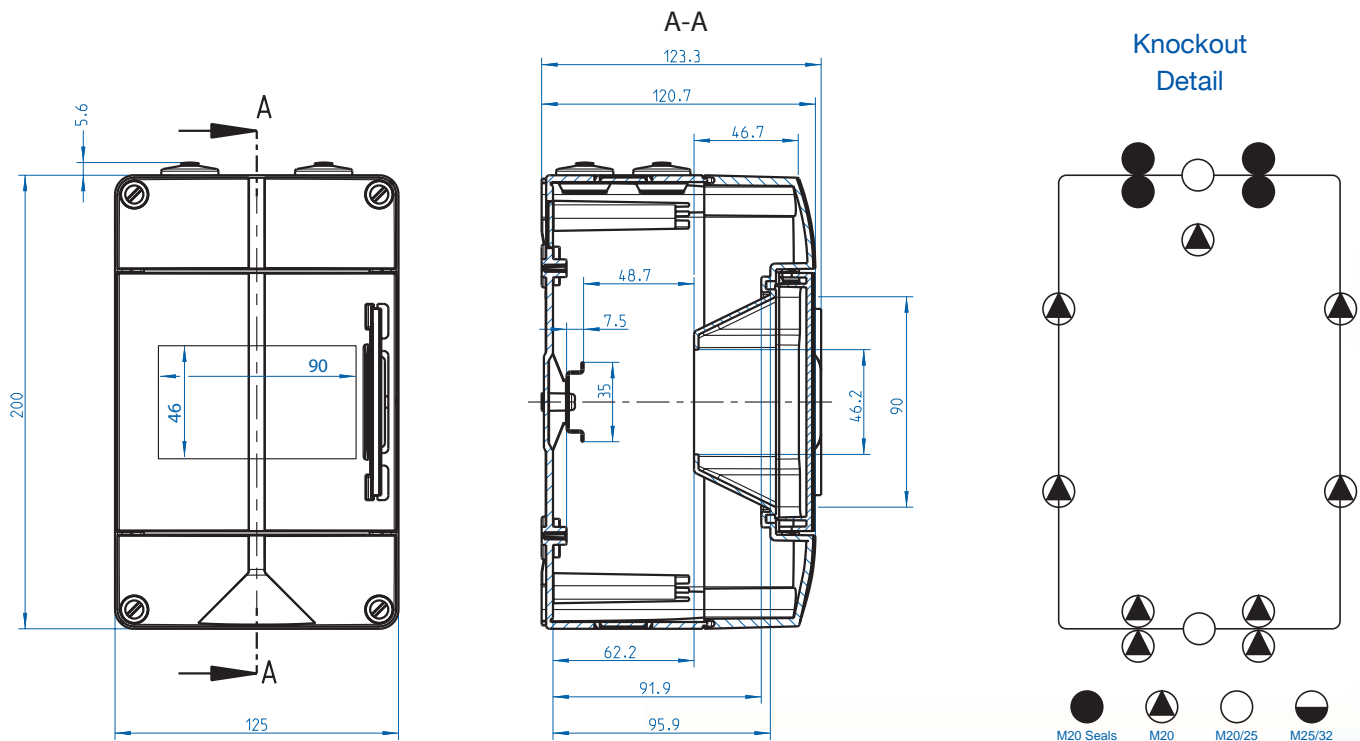
### AK05

Ordering Information	Cat. No.	Type	Length	Dimensions mm (in) Width	Height	Std. Pk.
<b>Polystyrene</b>						
Enclosure	735-405	AK05	125 mm (4.92 in)	200 mm (7.87 in)	122 mm (4.80 in)	1
<b>Polycarbonate</b>						
Enclosure	736-405	AKI05	125 mm (4.92 in)	200 mm (7.87 in)	122 mm (4.80 in)	1

### Accessories

Ordering Information	Cat. No.	Type	Std. Pk.
Key Lock	706-102	KL2	1
Terminal	790-205	PE/N Terminal - 2x5 pole (2x16 / 3x6 mm <sup>2</sup> )	1
Filler Strip	799-012	108 mm piece (6 divisions)	1

Please refer to pages 149-152 for additional accessories and detailed information.



# AK09 – Polystyrene and Polycarbonate - 200 x 200 mm (7.87 x 7.87 in.)

## Standard Features

- **Protection Level:** IP65
- **Technical:** Fits 9 Circuit Breaker Poles  
Knockout Sidewalls and Installed Double Membrane Seals  
Tinted Transparent Door
- **UL Recognized**
- **Enclosure Materials:** Polystyrene or Polycarbonate
- **Door Material:** Polycarbonate
- **Gasket Material:** Polyurethane
- **Material**
- **Temperature Range:** Polystyrene  
-40°C to 70°C (-40°F to 158°F)  
Polycarbonate  
-40°C to 120°C (-40°F to 248°F)
- **Color:** Light Gray
- **Included Accessories:** DIN Rail, 2x7 Pole Ground/Neutral Terminal Strip, Filler Strips, (6) M20 Double Membrane Seals



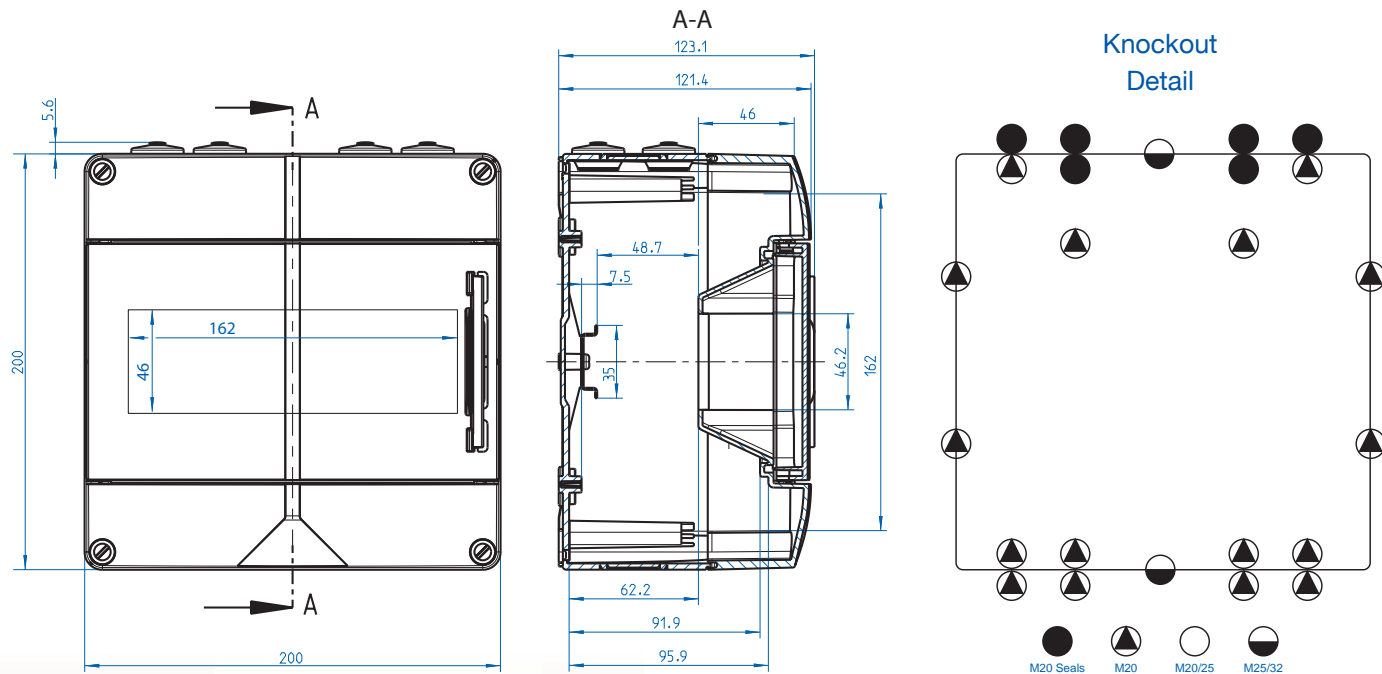
## AK09

Ordering Information	Cat. No.	Type	Length	Dimensions mm (in) Width	Height	Std. Pk.
<b>Polystyrene</b>						
Enclosure	735-409	AK09	200 mm (7.87 in)	200 mm (7.87 in)	122 mm (4.80 in)	1
<b>Polycarbonate</b>						
Enclosure	736-409	AKi09	200 mm (7.87 in)	200 mm (7.87 in)	122 mm (4.80 in)	1

## Accessories

Ordering Information	Cat. No.	Type	Std. Pk.
Key Lock	706-102	KL2	1
Terminal	790-207	PE/N Terminal - 2x7 pole (2x16 / 5x6 mm <sup>2</sup> )	1
Filler Strip	799-012	108 mm piece (6 divisions)	1

Please refer to pages 149-152 for additional accessories and detailed information.



**Standard Features**

- **Protection Level:** IP65
- **Technical:** Fits 12 Circuit Breaker Poles  
Knockout Sidewalls and Installed Double Membrane Seals  
Tinted Transparent Door
- **UL Recognized**
- **Enclosure Materials:** Polystyrene or Polycarbonate
- **Door Material:** Polycarbonate
- **Gasket Material:** Polyurethane
- **Material**
- **Temperature Range:** Polystyrene  
-40°C to 70°C (-40°F to 158°F)  
Polycarbonate  
-40°C to 120°C (-40°F to 248°F)
- **Color:** Light Gray
- **Included Accessories:** DIN Rail, 2x12 Pole Ground/Neutral Terminal Strip,  
Filler Strips, (8) M20 Double Membrane Seals



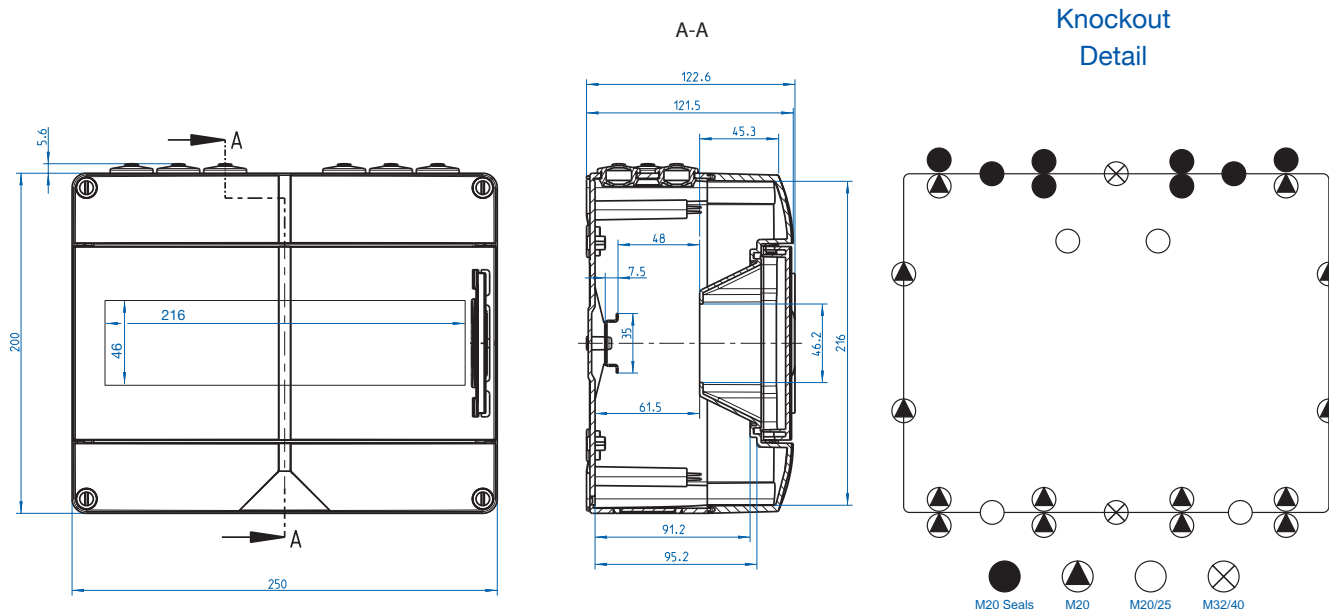
**AK12**

Ordering Information	Cat. No.	Type	Length	Dimensions mm (in) Width	Height	Std. Pk.
<b>Polystyrene</b>						
Enclosure	735-412	AK12	250 mm (9.84 in)	200 mm (7.87 in)	122 mm (4.80 in)	1
<b>Polycarbonate</b>						
Enclosure	736-412	AKi12	250 mm (9.84 in)	200 mm (7.87 in)	122 mm (4.80 in)	1

**Accessories**

Ordering Information	Cat. No.	Type	Std. Pk.
Key Lock	706-102	KL2	1
Terminal	790-211	PE/N Terminal - 2x12 pole (2x16 / 10x6 mm <sup>2</sup> )	1
Filler Strip	799-012	108 mm piece (6 divisions)	1

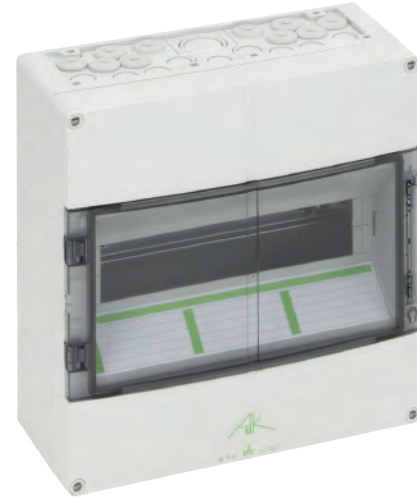
Please refer to pages 149-152 for additional accessories and detailed information.



# AK 14 – Polystyrene and Polycarbonate – 300 x 300 mm (11.81 x 11.81 in.)

## Standard Features

- **Protection Level:** IP65
- **Technical:** Fits 14 Circuit Breaker Poles  
Knockout Sidewalls and installed double membrane seals  
Tinted Transparent Door  
Multiple Enclosure Combination Option
- **UL Recognized**
- **Enclosure Materials:** Polystyrene or Polycarbonate
- **Door Material:** Polycarbonate
- **Gasket Material:** Polyurethane
- **Material**
- **Temperature Range:** Polystyrene  
-40°C to 70°C (-40°F to 158°F)  
Polycarbonate  
-40°C to 120°C (-40°F to 248°F)
- **Color:** Light Gray
- **Included Accessories:** DIN Rail, 17 Pole Ground/Neutral Terminal Strip, Cable Shield, Filler Strips, Label Strip,  
(5) M20 Double Membrane Seals, (2) M25 Double Membrane Seals,  
(1) M32 Double Membrane Seals, (1) M40 Entry Spout
- **Accessories:** See section below



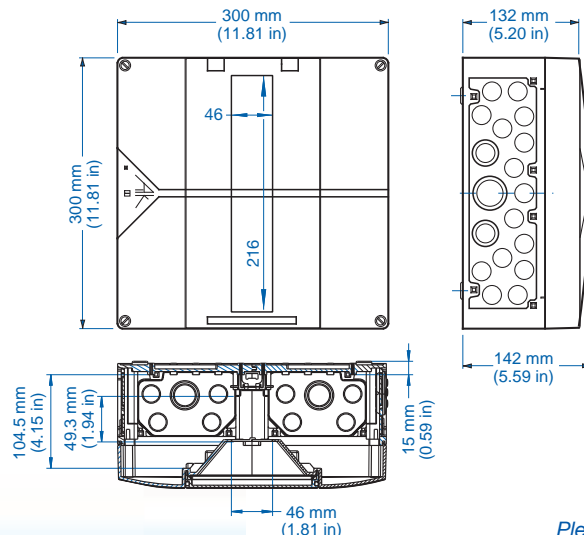
## AK 14

Ordering Information	Cat. No.	Type	Length	Dimensions mm (in) Width	Height	Std. Pk.
<b>Polystyrene</b>						
Enclosure	735-414	AK14	300 mm (11.81 in)	300 mm (11.81 in)	142 mm (5.59 in)	1
<b>Polycarbonate</b>						
Enclosure	736-414	AKi14	300 mm (11.81 in)	300 mm (11.81 in)	142 mm (5.59 in)	1

## Accessories

Ordering Information	Cat. No.	Type	Std. Pk.
Key Lock	706-102	KL2	1
Mounting Plate – 240 x 112 mm	795-001	MPI 1	1
Mounting Plate – 240 x 240 mm	795-002	MPI 2	1
DIN Rail - 216 mm Surface Mounted	795-030	NS35-216/3	1
Hinge Kit Set	190-005	HK2	1
Mounting Tab Kit (metal)	793-004	MT2	1
Filler Strip	799-012	108 mm piece (6 divisions)	1

Please refer to pages 149-152 for additional accessories and detailed information.



Please refer to page 158 for Knockout details.



## Standard Features

- **Protection Level:** IP65
- **Technical:** Fits 14 Circuit Breaker Poles  
Knockout Sidewalls and installed double membrane seals  
Tinted Transparent Door  
Multiple Enclosure Combination Option
- **UL Recognized Enclosure Materials:** Polystyrene or Polycarbonate
- **Door Material:** Polycarbonate
- **Gasket Material:** Polyurethane
- **Material Temperature Range:** Polystyrene  
-40°C to 70°C (-40°F to 158°F)  
Polycarbonate  
-40°C to 120°C (-40°F to 248°F)
- **Color:** Light Gray
- **Included Accessories:** (2) DIN Rails, Cable Shield, Filler Strips, (1) Label Strip, (15) M20 Double Membrane Seals, (2) M25 Double Membrane Seals, (1) M32 Double Membrane Seals, (1) M40 Entry Spout  
See section below
- **Accessories:** See section below



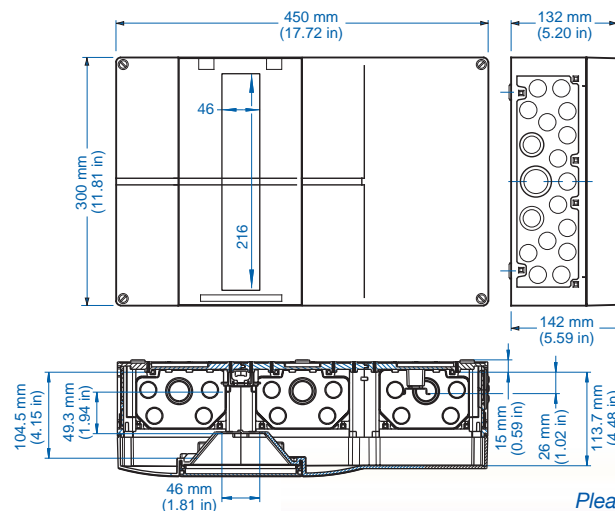
## AK 14+1

Ordering Information	Cat. No.	Type	Length	Dimensions mm (in) Width	Height	Std. Pk.
<b>Polystyrene</b>						
Enclosure	737-414	AK14+1	450 mm (17.72 in)	300 mm (11.81 in)	142 mm (5.59 in)	1
<b>Polycarbonate</b>						
Enclosure	738-414	AKi14+1	450 mm (17.72 in)	300 mm (11.81 in)	142 mm (5.59 in)	1

## Accessories

Ordering Information	Cat. No.	Type	Std. Pk.
Key Lock	706-102	KL2	1
Mounting Plate – 240 x 112 mm	795-001	MPI 1	1
Mounting Plate – 240 x 240 mm	795-002	MPI 2	1
Mounting Plate – 240 x 390 mm	795-003	MPI 3	1
DIN Rail - 216 mm Surface Mounted	795-030	NS35-216/3	1
Hinge Kit Set	190-005	HK2	1
Mounting Tab Kit (metal)	793-004	MT2	1
Filler Strip	799-012	108 mm piece (6 divisions)	1
2x17 Pole Ground/Neutral Terminal Strip (3 screw clamps 2.5-16mm <sup>2</sup> , 14 spring clamps 1.5-4mm <sup>2</sup> each)	790-317	AK14PE/N-SL	1

Please refer to pages 149-152 for additional accessories and detailed information.



Please refer to page 158 for Knockout details.

# AK 28 – Polystyrene and Polycarbonate – 450 x 300 mm (17.72 x 11.81 in.)

## Standard Features

- **Protection Level:** IP65
- **Technical:** Fits 28 Circuit Breaker Poles (14 per section)  
Knockout Sidewalls and installed double membrane seals  
Tinted Transparent Door  
Multiple Enclosure Combination Option
- **UL Recognized Enclosure Materials:** Polystyrene or Polycarbonate
- **Door Material:** Polycarbonate
- **Gasket Material:** Polyurethane
- **Material Temperature Range:** Polystyrene  
-40°C to 70°C (-40°F to 158°F)  
Polycarbonate  
-40°C to 120°C (-40°F to 248°F)
- **Color:** Light Gray
- **Included Accessories:** (2) DIN Rails, 2x27 Pole Ground/Neutral Terminal, Strip, Cable Shield, Filler Strips, (2) Label Strips, Accessory Case, (5) M20 Double Membrane Seals, (2) M25 Double Membrane Seals, (1) M32 Double Membrane Seals, (1) M40 Entry Spout
- **Accessories:** See section below



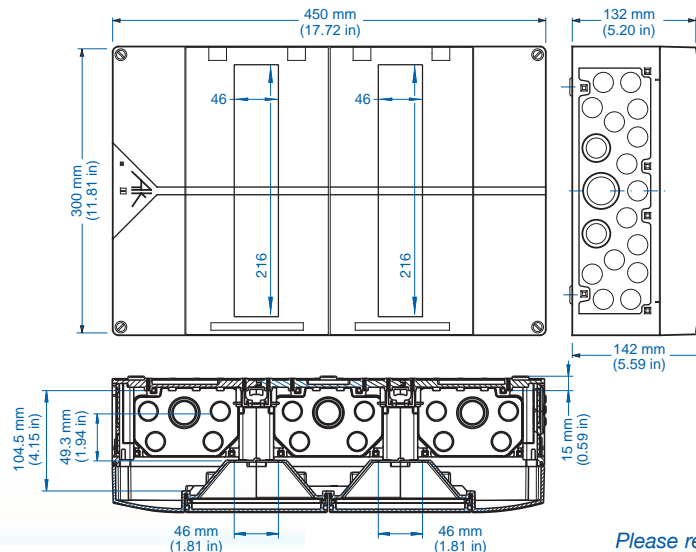
## AK 28

Ordering Information	Cat. No.	Type	Length	Dimensions mm (in) Width	Height	Std. Pk.
<b>Polystyrene</b>						
Enclosure	735-428	AK28	450 mm (17.72 in)	300 mm (11.81 in)	142 mm (5.59 in)	1
<b>Polycarbonate</b>						
Enclosure	736-428	AKi28	450 mm (17.72 in)	300 mm (11.81 in)	142 mm (5.59 in)	1

## Accessories

Ordering Information	Cat. No.	Type	Std. Pk.
Key Lock	706-102	KL2	1
Mounting Plate – 240 x 112 mm	795-001	MPI 1	1
Mounting Plate – 240 x 240 mm	795-002	MPI 2	1
Mounting Plate – 240 x 390 mm	795-003	MPI 3	1
DIN Rail - 216 mm Surface Mounted	795-030	NS35-216/3	1
Hinge Kit Set	190-005	HK2	1
Mounting Tab Kit (metal)	793-004	MT2	1
Filler Strip	799-012	108 mm piece (6 divisions)	1

Please refer to pages 149-152 for additional accessories and detailed information.



Please refer to page 158 for Knockout details.

**Standard Features**

- **Protection Level:** IP65
- **Technical:** Fits 28 Circuit Breaker Poles (14 per section)  
Knockout Sidewalls and installed double membrane seals  
Tinted Transparent Door  
Multiple Enclosure Combination Option
- **UL Recognized**
- **Enclosure Materials:** Polystyrene or Polycarbonate
- **Door Material:** Polycarbonate
- **Gasket Material:** Polyurethane
- **Material**
- **Temperature Range:** Polystyrene  
-40°C to 70°C (-40°F to 158°F)  
Polycarbonate  
-40°C to 120°C (-40°F to 248°F)
- **Color:** Light Gray
- **Included Accessories:** (3) DIN Rails, Cable Shield, Filler Strips, (2) Label Strips,  
(15) M20 Double Membrane Seals, (2) M25 Double Membrane Seals,  
(1) M32 Double Membrane Seals, (1) M40 Entry Spout
- **Accessories:** See section below



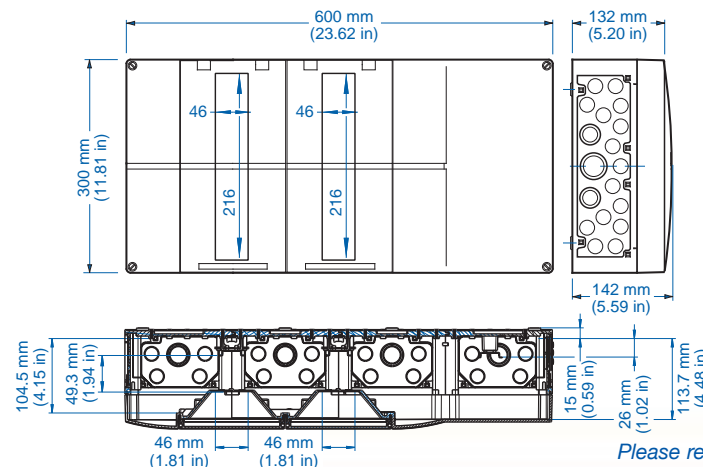
**AK 28+1**

Ordering Information	Cat. No.	Type	Length	Dimensions mm (in) Width	Height	Std. Pk.
<b>Polystyrene</b>						
Enclosure	737-428	AK28+1	600 mm (23.62 in)	300 mm (11.81 in)	142 mm (5.59 in)	1
<b>Polycarbonate</b>						
Enclosure	738-428	AKi28+1	600 mm (23.62 in)	300 mm (11.81 in)	142 mm (5.59 in)	1

**Accessories**

Ordering Information	Cat. No.	Type	Std. Pk.
Key Lock	706-102	KL2	1
Mounting Plate – 240 x 112 mm	795-001	MPI 1	1
Mounting Plate – 240 x 240 mm	795-002	MPI 2	1
Mounting Plate – 240 x 390 mm	795-003	MPI 3	1
Mounting Plate – 240 x 540 mm	795-004	MPI 4	1
DIN Rail - 216 mm Surface Mounted	795-030	NS35-216/3	1
Hinge Kit Set	190-005	HK2	1
Mounting Tab Kit (metal)	793-004	MT2	1
Filler Strip	799-012	108 mm piece (6 divisions)	1
2x27 Pole Ground/Neutral Terminal Strip (6 screw clamps 2.5-16mm <sup>2</sup> , 21 spring clamps 1.5-4mm <sup>2</sup> each)	790-327	AK28PE/N-SL	1

Please refer to pages 149-152 for additional accessories and detailed information.



Please refer to page 158 for Knockout details.

## AK 42 – Polystyrene and Polycarbonate – 600 x 300 mm (23.62 x 11.81 in.)

### Standard Features

- **Protection Level:** IP65
- **Technical:** Fits 42 Circuit Breaker Poles (14 per section)  
Knockout Sidewalls and installed double membrane seals  
Tinted Transparent Door  
Multiple Enclosure Combination Option
- **UL Recognized**
- **Enclosure Materials:** Polystyrene or Polycarbonate
- **Door Material:** Polycarbonate
- **Gasket Material:** Polyurethane
- **Material**
- **Temperature Range:** Polystyrene  
-40°C to 70°C (-40°F to 158°F)  
Polycarbonate  
-40°C to 120°C (-40°F to 248°F)
- **Color:** Light Gray
- **Included Accessories:** (3) DIN Rails, 2x27 Pole Ground/Neutral Terminal, Strip, Cable Shield, Filler Strips, (3) Label Strips, Accessory Case, (15) M20 Double Membrane Seals, (2) M25 Double Membrane Seals, (1) M32 Double Membrane Seals, (1) M40 Entry Spout, See section below
- **Accessories:**



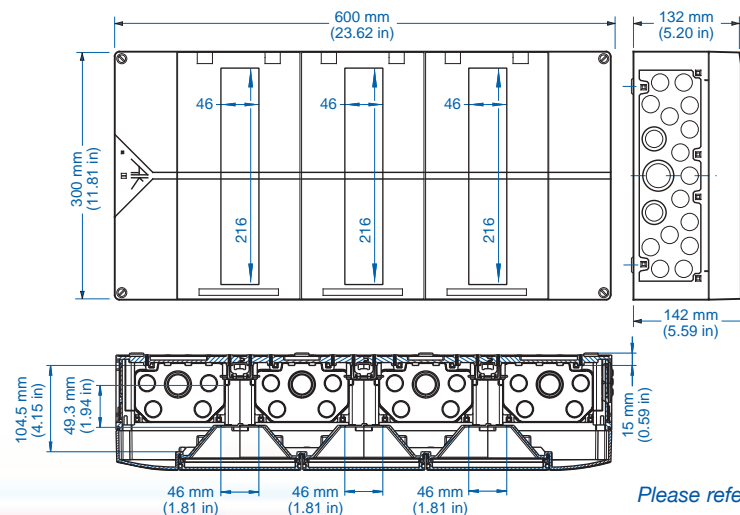
### AK 42

Ordering Information	Cat. No.	Type	Length	Dimensions mm (in) Width	Height	Std. Pk.
<b>Polystyrene</b>						
Enclosure	735-442	AK42	600 mm (23.62 in)	300 mm (11.81 in)	142 mm (5.59 in)	1
<b>Polycarbonate</b>						
Enclosure	736-442	AKi42	600 mm (23.62 in)	300 mm (11.81 in)	142 mm (5.59 in)	1

### Accessories

Ordering Information	Cat. No.	Type	Std. Pk.
Key Lock	706-102	KL2	1
Mounting Plate – 240 x 112 mm	795-001	MPI 1	1
Mounting Plate – 240 x 240 mm	795-002	MPI 2	1
Mounting Plate – 240 x 390 mm	795-003	MPI 3	1
Mounting Plate – 240 x 540 mm	795-004	MPI 4	1
DIN Rail - 216 mm Surface Mounted	795-030	NS35-216/3	1
Hinge Kit Set	190-005	HK2	1
Mounting Tab Kit (metal)	793-004	MT2	1
Filler Strip	799-012	108 mm piece (6 divisions)	1

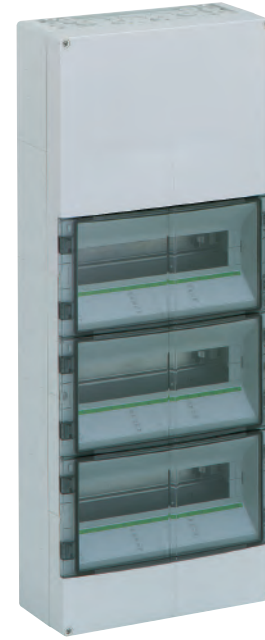
Please refer to pages 149-152 for additional accessories and detailed information.



Please refer to page 158 for Knockout details.

## Standard Features

- **Protection Level:** IP65
- **Technical:** Fits 42 Circuit Breaker Poles (14 per section)  
Knockout Sidewalls and installed double membrane seals  
Tinted Transparent Door  
Multiple Enclosure Combination Option
- **UL Recognized**
- **Enclosure Materials:** Polystyrene or Polycarbonate
- **Door Material:** Polycarbonate
- **Gasket Material:** Polyurethane
- **Material**
- **Temperature Range:** Polystyrene  
-40°C to 70°C (-40°F to 158°F)  
Polycarbonate  
-40°C to 120°C (-40°F to 248°F)
- **Color:** Light Gray
- **Included Accessories:** (4) DIN Rails, Cable Shield, Filler Strips, (3) Label Strips, (15) M20 Double Membrane Seals, (2) M25 Double Membrane Seals, (1) M32 Double Membrane Seals, (1) M40 Entry Spout,
- **Accessories:** See section below



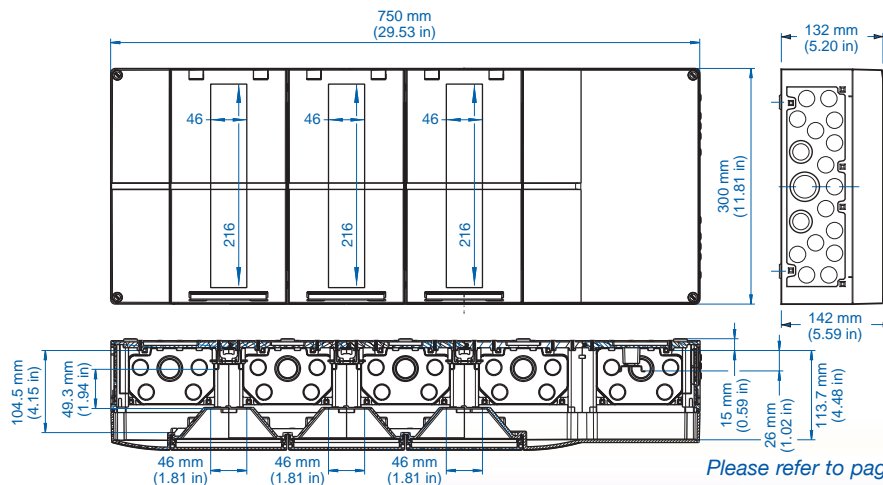
## AK 42+1

Ordering Information	Cat. No.	Type	Length	Dimensions mm (in) Width	Height	Std. Pk.
<b>Polystyrene</b>						
Enclosure	737-442	AK42+1	750 mm (29.53 in)	300 mm (11.81 in)	142 mm (5.59 in)	1
<b>Polycarbonate</b>						
Enclosure	738-442	AKi42+1	750 mm (29.53 in)	300 mm (11.81 in)	142 mm (5.59 in)	1

## Accessories

Ordering Information	Cat. No.	Type	Std. Pk.
Key Lock	706-102	KL2	1
Mounting Plate – 240 x 112 mm	795-001	MPI 1	1
Mounting Plate – 240 x 240 mm	795-002	MPI 2	1
Mounting Plate – 240 x 390 mm	795-003	MPI 3	1
Mounting Plate – 240 x 540 mm	795-004	MPI 4	1
DIN Rail - 216 mm Surface Mounted	795-030	NS35-216/3	1
Hinge Kit Set	190-005	HK2	1
Mounting Tab Kit (metal)	793-004	MT2	1
Filler Strip	799-012	108 mm piece (6 divisions)	1
2x27 Pole Ground/Neutral Terminal Strip (6 screw clamps 2.5-16mm <sup>2</sup> , 21 spring clamps 1.5-4mm <sup>2</sup> each)	790-327	AK28PE/N-SL	1

Please refer to pages 149-152 for additional accessories and detailed information.



Please refer to page 158 for Knockout details.

## AK 56 – Polystyrene and Polycarbonate – 750 x 300 mm (29.53 x 11.81 in.)

### Standard Features

- **Protection Level:** IP65
- **Technical:** Fits 56 Circuit Breaker Poles (14 per section)  
Knockout Sidewalls and installed double membrane seals  
Tinted Transparent Door  
Multiple Enclosure Combination Option
- **UL Recognized**
- **Enclosure Materials:** Polystyrene or Polycarbonate
- **Door Material:** Polycarbonate
- **Gasket Material:** Polyurethane
- **Material**
- **Temperature Range:** Polystyrene  
-40°C to 70°C (-40°F to 158°F)  
Polycarbonate  
-40°C to 120°C (-40°F to 248°F)
- **Color:** Light Gray
- **Included Accessories:** (4) DIN Rails, 2x27 Pole Ground/Neutral Terminal Strip, Cable Shield, Filler Strips, (4) Label Strips, Accessory Case, (15) M20 Double Membrane Seals, (2) M25 Double Membrane Seals, (1) M32 Double Membrane Seals, (1) M40 Entry Spout
- **Accessories:** See section below



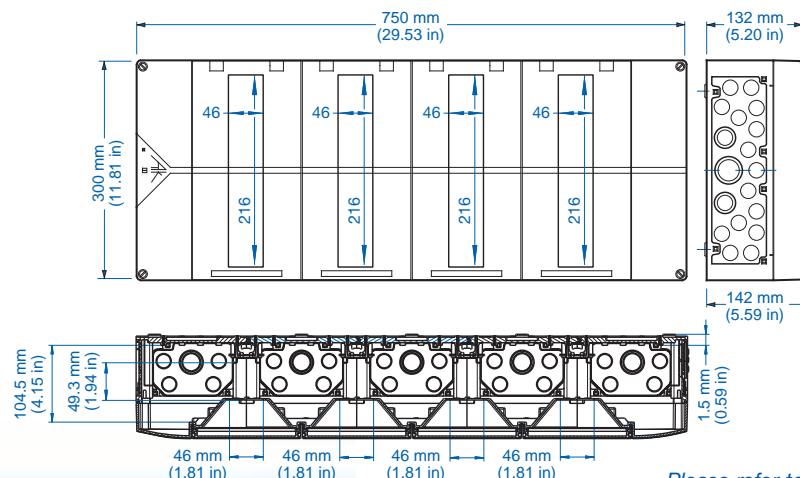
### AK 56

Ordering Information	Cat. No.	Type	Length	Dimensions mm (in) Width	Height	Std. Pk.
<b>Polystyrene</b>						
Enclosure	735-456	AK56	750 mm (29.53 in)	300 mm (11.81 in)	142 mm (5.59 in)	1
<b>Polycarbonate</b>						
Enclosure	736-456	AKi56	750 mm (29.53 in)	300 mm (11.81 in)	142 mm (5.59 in)	1

### Accessories

Ordering Information	Cat. No.	Type	Std. Pk.
Key Lock	706-102	KL2	1
Mounting Plate – 240 x 112 mm	795-001	MPI 1	1
Mounting Plate – 240 x 240 mm	795-002	MPI 2	1
Mounting Plate – 240 x 390 mm	795-003	MPI 3	1
Mounting Plate – 240 x 540 mm	795-004	MPI 4	1
DIN Rail - 216 mm Surface Mounted	795-030	NS35-216/3	1
Hinge Kit Set	190-005	HK2	1
Mounting Tab Kit (metal)	793-004	MT2	1
Filler Strip	799-012	108 mm piece (6 divisions)	1

Please refer to pages 149-152 for additional accessories and detailed information.



Please refer to page 158 for Knockout details.

## Standard Features

- **Protection Level:** IP65
- **Technical:** Fits 56 Circuit Breaker Poles (14 per section)  
Knockout Sidewalls and installed double membrane seals  
Tinted Transparent Door  
Multiple Enclosure Combination Option
- **UL Recognized**
- **Enclosure Materials:** Polystyrene or Polycarbonate
- **Door Material:** Polycarbonate
- **Gasket Material:** Polyurethane
- **Material**
- **Temperature Range:** Polystyrene  
-40°C to 70°C (-40°F to 158°F)  
Polycarbonate  
-40°C to 120°C (-40°F to 248°F)
- **Color:** Light Gray
- **Included Accessories:** (5) DIN Rails, Cable Shield, Filler Strips, (4) Label Strips,  
(15) M20 Double Membrane Seals, (2) M25 Double Membrane Seals,  
(1) M32 Double Membrane Seals, (1) M40 Entry Spout
- **Accessories:** See section below



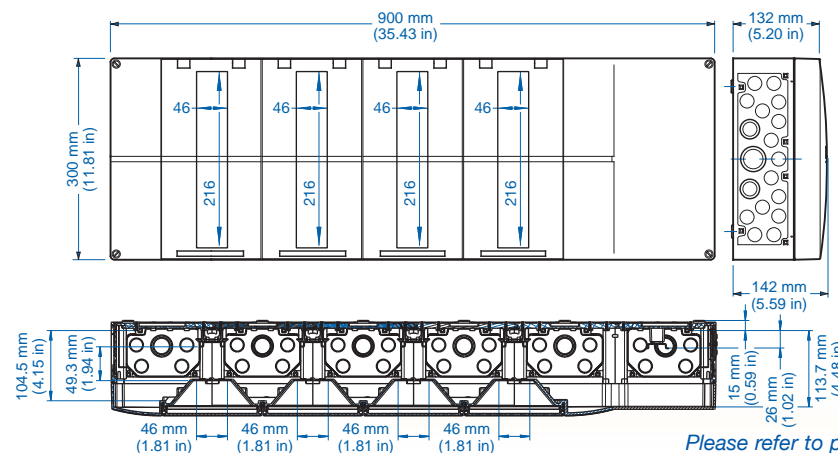
## AK 56+1

Ordering Information	Cat. No.	Type	Length	Dimensions mm (in) Width	Height	Std. Pk.
<b>Polystyrene</b>						
Enclosure	737-456	AK56+1	900 mm (35.43 in)	300 mm (11.81 in)	142 mm (5.59 in)	1
<b>Polycarbonate</b>						
Enclosure	738-456	AKi56+1	900 mm (35.43 in)	300 mm (11.81 in)	142 mm (5.59 in)	1

## Accessories

Ordering Information	Cat. No.	Type	Std. Pk.
Key Lock	706-102	KL2	1
Mounting Plate – 240 x 112 mm	795-001	MPI 1	1
Mounting Plate – 240 x 240 mm	795-002	MPI 2	1
Mounting Plate – 240 x 390 mm	795-003	MPI 3	1
Mounting Plate – 240 x 540 mm	795-004	MPI 4	1
DIN Rail - 216 mm Surface Mounted	795-030	NS35-216/3	1
Hinge Kit Set	190-005	HK2	1
Mounting Tab Kit (metal)	793-004	MT2	1
Filler Strip	799-012	108 mm piece (6 divisions)	1
2x27 Pole Ground/Neutral Terminal Strip (6 screw clamps 2.5-16mm <sup>2</sup> , 21 spring clamps 1.5-4mm <sup>2</sup> each)	790-327	AK28PE/N-SL	1

Please refer to pages 149-152 for additional accessories and detailed information.



Please refer to page 158 for Knockout details.

# AK 70 – Polystyrene and Polycarbonate – 900 x 300 mm (35.43 x 11.81 in.)

## Standard Features

- **Protection Level:** IP65
- **Technical:** Fits 70 Circuit Breaker Poles (14 per section)  
Knockout Sidewalls and installed double membrane seals  
Tinted Transparent Door  
Multiple Enclosure Combination Option
- **UL Recognized**
- **Enclosure Materials:** Polystyrene or Polycarbonate
- **Door Material:** Polycarbonate
- **Gasket Material:** Polyurethane
- **Material**
- **Temperature Range:** Polystyrene  
-40°C to 70°C (-40°F to 158°F)  
Polycarbonate  
-40°C to 120°C (-40°F to 248°F)
- **Color:** Light Gray
- **Included Accessories:** (5) DIN Rails, 2x27 Pole Ground/Neutral Terminal Strip, Cable Shield, Filler Strips, (5) Label Strips, Accessory Case  
(15) M20 Double Membrane Seals, (2) M25 Double Membrane Seals, (1) M32 Double Membrane Seals, (1) M40 Entry Spout  
See section below
- **Accessories:** See section below



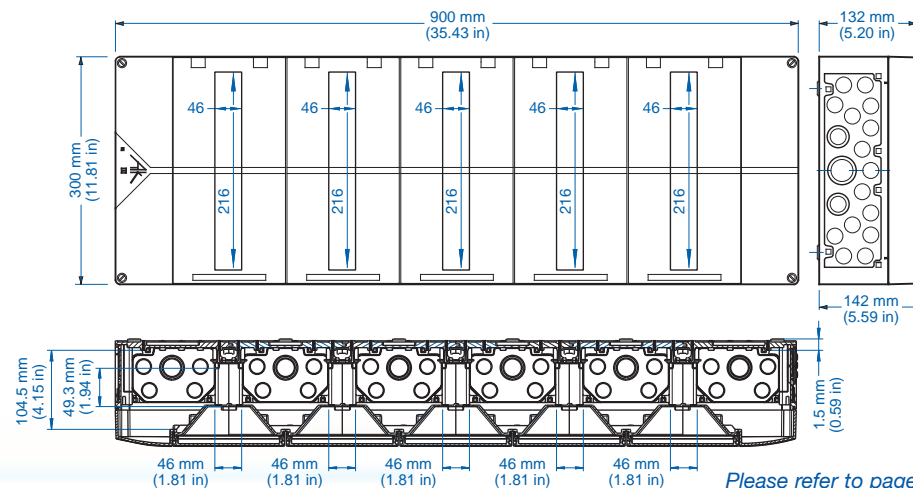
## AK 70

Ordering Information	Cat. No.	Type	Length	Dimensions mm (in) Width	Height	Std. Pk.
<b>Polystyrene</b>						
Enclosure	735-470	AK70	900 mm (35.43 in)	300 mm (11.81 in)	142 mm (5.59 in)	1
<b>Polycarbonate</b>						
Enclosure	736-470	AKi70	900 mm (35.43 in)	300 mm (11.81 in)	142 mm (5.59 in)	1

## Accessories

Ordering Information	Cat. No.	Type	Std. Pk.
Key Lock	706-102	KL2	1
Mounting Plate – 240 x 112 mm	795-001	MPI 1	1
Mounting Plate – 240 x 240 mm	795-002	MPI 2	1
Mounting Plate – 240 x 390 mm	795-003	MPI 3	1
Mounting Plate – 240 x 540 mm	795-004	MPI 4	1
DIN Rail - 216 mm Surface Mounted	795-030	NS35-216/3	1
Hinge Kit Set	190-005	HK2	1
Mounting Tab Kit (metal)	793-004	MT2	1
Filler Strip	799-012	108 mm piece (6 divisions)	1

Please refer to pages 149-152 for additional accessories and detailed information.

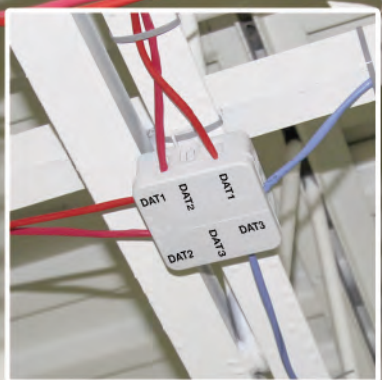
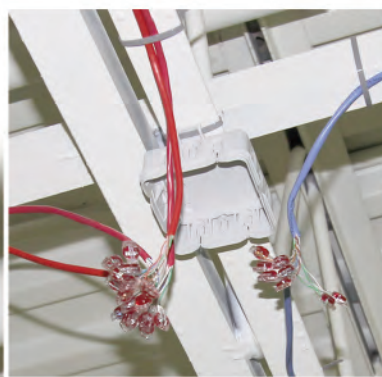


Please refer to page 158 for Knockout details.



## The Q Series Low Voltage Wire Management Solution

**Your competition left this mess.**



**Q 12-SB-L**



**Q 12-L**

**You cleaned it up without having to cut and resplice.**



**Q 4-L**

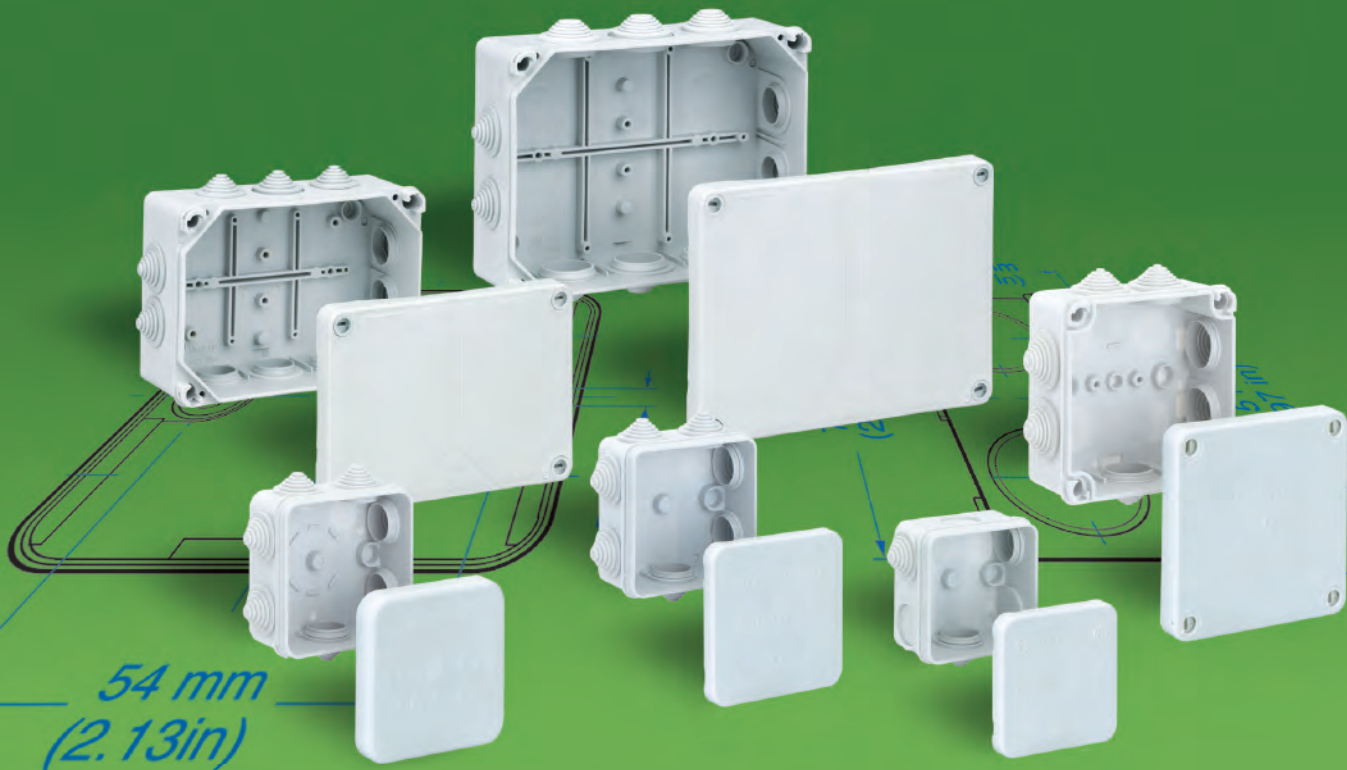
Using the Q Series data & signal wiring enclosure is fast and easy. Even if the splicing mess already exists. Simply mount the polypropylene enclosure using its convenient mounting ears with a screw or zip strap. Then press the wires into the Q Series unique retaining slots and snap on the cover and your done.

Available sizes:

Q 12-L – Polypropylene – 85 x 85 x 37 mm (3.35 x 3.35 x 1.46 in.)

Q 12 SB-L – Polypropylene – 85 x 85 x 37 mm (3.35 x 3.35 x 1.46 in.)

Q 4-L – Polypropylene – 56 x 40 x 23 mm (2.20 x 1.57 x 0.91 in.)



# HP Series

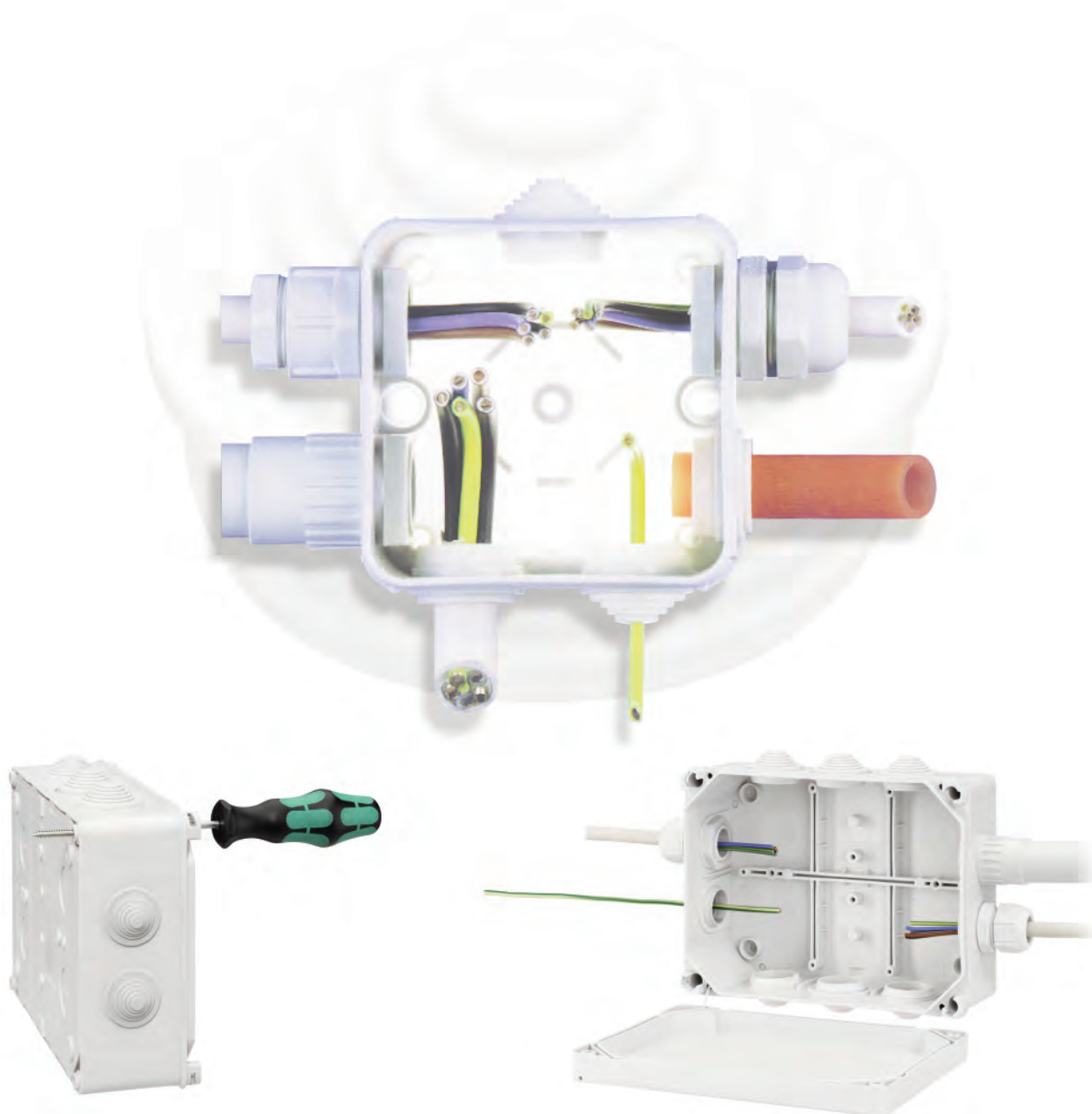
The HP Series are economy junction boxes for lighter duty applications. The HP70, 80 and 90 feature snap on covers, while the HP100, 150 and 190 feature 4 quick release screws. HP Enclosures are supplied with universal entry seals that can be easily cut to create the required wire, cable or conduit adapter opening. These universal entry seals provide protection up to IP55.

The preinstalled entry seals in the HP Series can accommodate a wide variety of connection possibilities. Large or small cable, cable glands, entry spouts and even single wires can be used, while still remaining watertight and dust free. With such versatility, these enclosures are extremely economical.

- Direct mount
- Semi rigid polypropylene
- Dust and splash proof
- Contact labyrinth seal
- Temperature range up to 100°C (212°F)
- IP55 protection
- Universal entry seals
- Standard rear knockouts
- Corrosion and maintenance free
- Non-flammable
- Low halogen
- Drainage possibilities for condensed water by drainage inlets
- Metric inlets on all sides

# The HP Function

The preinstalled entry seals in the HP Series can accommodate a wide variety of connection possibilities. Large or small cable, cable glands, entry spouts and even single wires can be used, while still remaining watertight and dust free. With such versatility, these enclosures are extremely economical.



# HP 70 – Polypropylene – 75 x 75 mm (2.95 x 2.95 in.)

## Standard Features

- **Protection Level:** IP55
- **Technical:**
  - Metric - Inlets
  - 6 x M20 - Sides
  - 1 x M16 - Rear
  - 3 Installed M20 Entry Seals (5-16 mm)
  - 2 Spare Entry Seals
  - Snap-on Cover
- **Enclosure Material:** Semi - Rigid Polypropylene
- **Material**
  - Temperature Range:** -30°C to 100°C (-22°F to 212°F)
- **Gasket Material:** None / Contact Labyrinth Seal
- **Color:** Light Gray
- **Accessories:** See section below



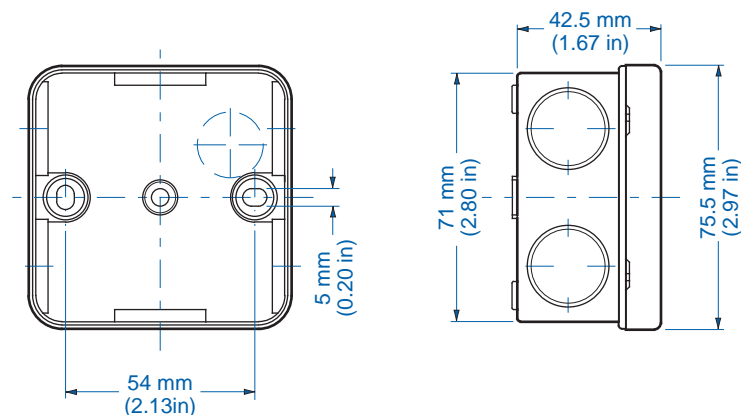
## HP

Ordering Information	Cat. No.	Type	Length	Dimensions mm (in)		Std. Pk.
				Width	Height	
Enclosure	320-970	HP70	75 mm (2.95 in)	75 mm (2.95 in)	42 mm (1.65 in)	10

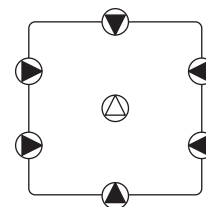
## Accessories

Ordering Information	Cat. No.	Type	Std. Pk.
Terminal	460-525	2.5mm <sup>2</sup> - 5 pole	10
Universal Entry Seal - M20	216-420	M20	100

For Liquid Tight Strain Reliefs please refer to catalog pages 150-152.



Knockout Detail



**Standard Features**

- **Protection Level:** IP55
- **Technical:**
  - Metric - Inlets
  - 7 x M20 - Sides
  - 1 x M16 - Rear
  - 7 Installed M20 Entry Seals (5 - 16mm)
  - Snap-on Cover
- **Enclosure Material:** Semi - Rigid Polypropylene
- **Material**
- **Temperature Range:** -30°C to 100°C (-22°F to 212°F)
- **Gasket Material:** None / Contact Labyrinth Seal
- **Color:** Light Gray
- **Accessories:** See section below



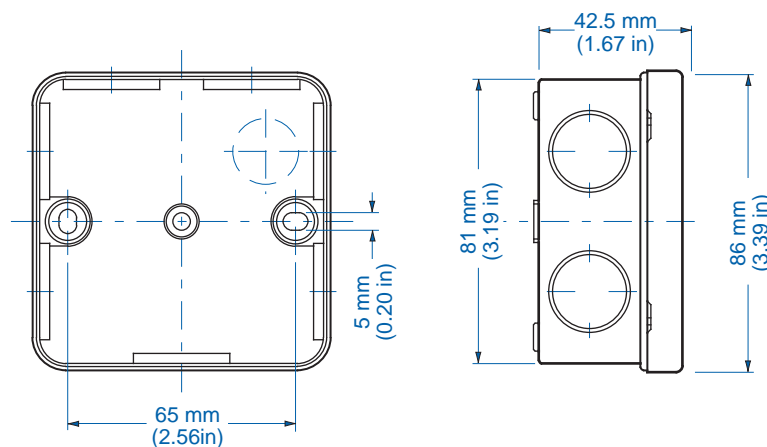
**HP**

Ordering Information	Cat. No.	Type	Length	Dimensions mm (in)		Std. Pk.
				Width	Height	
Enclosure	322-980	HP80	85 mm (3.35 in)	85 mm (3.35 in)	42 mm (1.65 in)	10

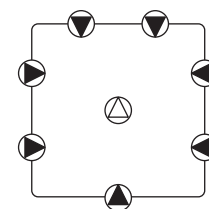
**Accessories**

Ordering Information	Cat. No.	Type	Std. Pk.
Terminal	460-525	2.5mm <sup>2</sup> - 5 pole	10
Universal Entry Seal - M20	216-420	M20	100

For Liquid Tight Strain Reliefs please refer to catalog pages 150-152.



**Knockout Detail**



# HP 90 – Polypropylene – 90 x 90 mm (3.54 x 3.54 in.)

## Standard Features

- **Protection Level:** IP55
- **Technical:**
  - Metric - Inlets
  - 7 x M20 - Sides
  - 1 x M16 - Rear
  - 7 Installed M20 Entry Seals (5 - 16mm)
  - Snap-on Cover
- **Enclosure Material:** Semi - Rigid Polypropylene
- **Material**
  - Temperature Range:** -30°C to 100°C (-22°F to 212°F)
- **Gasket Material:** None / Contact Labyrinth Seal
- **Color:** Light Gray
- **Accessories:** See section below



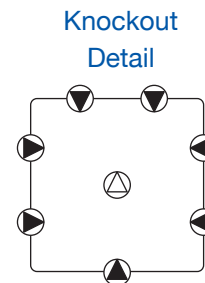
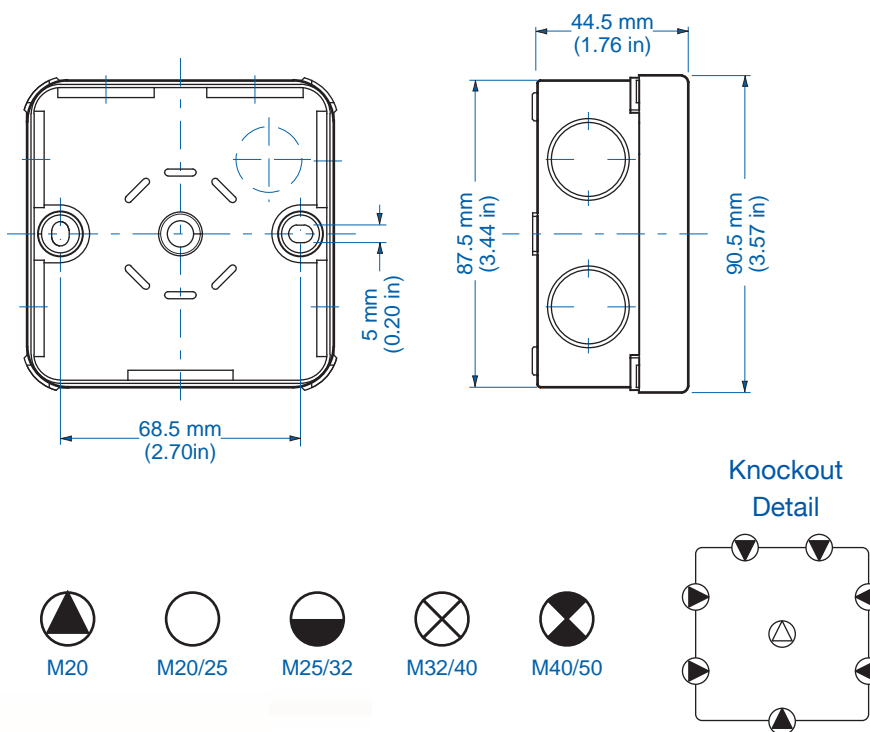
## HP

Ordering Information	Cat. No.	Type	Length	Dimensions mm (in)		Std. Pk.
				Width	Height	
Enclosure	325-990	HP90	90 mm (3.54 in)	90 mm (3.54 in)	45 mm (1.77 in)	10

## Accessories

Ordering Information	Cat. No.	Type	Std. Pk.
Terminal	840-004	4mm <sup>2</sup> - 5 pole	10
Universal Entry Seal - M20	216-420	M20	100

For Liquid Tight Strain Reliefs please refer to catalog pages 150-152.



**Standard Features**

- **Protection Level:** IP55
- **Technical:**
  - Metric - Inlets
  - 7 x M20/M25 - Sides
  - 4 x M20 - Rear
  - 7 Installed M25 Entry Seals (5 - 21 mm)
  - Quick Close Cover
- **Enclosure Material:** Semi - Rigid Polypropylene
- **Material**
  - Temperature Range:** -30°C to 100°C (-22°F to 212°F)
- **Gasket Material:** None / Contact Labyrinth Seal
- **Color:** Light Gray
- **Accessories:** See section below



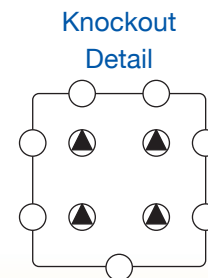
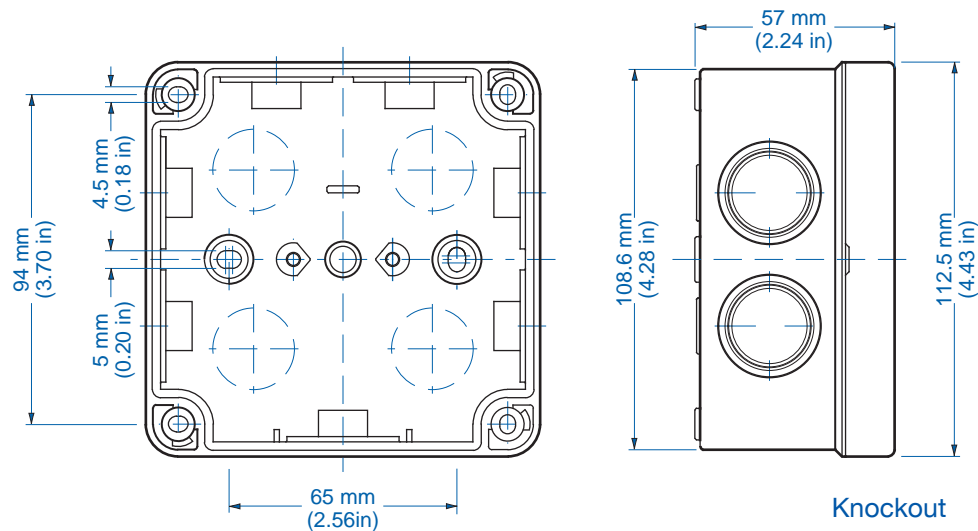
**HP**

Ordering Information	Cat. No.	Type	Length	Dimensions mm (in)		Std. Pk.
				Width	Height	
Enclosure	326-900	HP100	113 mm (4.45 in)	113 mm (4.45 in)	58 mm (2.28 in)	2

**Accessories**

Ordering Information	Cat. No.	Type	Std. Pk.
Terminal	840-004	4mm <sup>2</sup> - 5 pole	10
Universal Entry Seal - M25	216-425	M25	50

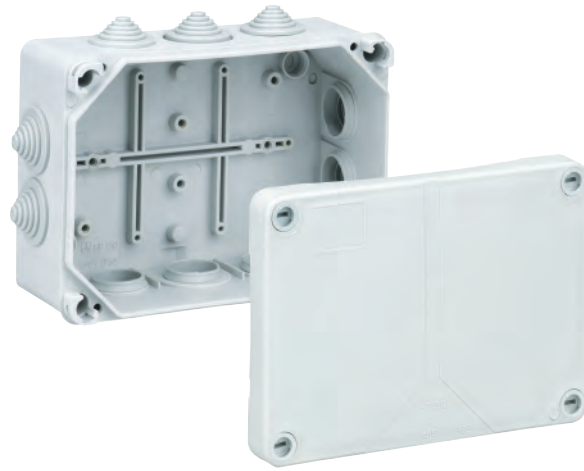
For Liquid Tight Strain Reliefs please refer to catalog pages 150-152.



# HP 150 – Polypropylene – 164 x 119 mm (6.46 x 4.69 in.)

## Standard Features

- **Protection Level:** IP55
- **Technical:**
  - Metric - Inlets
  - 8 x M25 - Sides
  - 2 x M32/M25 - Sides
  - 4 x M20 - Rear
  - 10 Installed M25 Entry Seals (5 - 21 mm)
  - Quick Close Cover
- **Enclosure Material:** Semi - Rigid Polypropylene
- **Material**
  - Temperature Range:** -30°C to 100°C (-22°F to 212°F)
- **Gasket Material:** None / Contact Labyrinth Seal
- **Color:** Light Gray
- **Accessories:** See section below



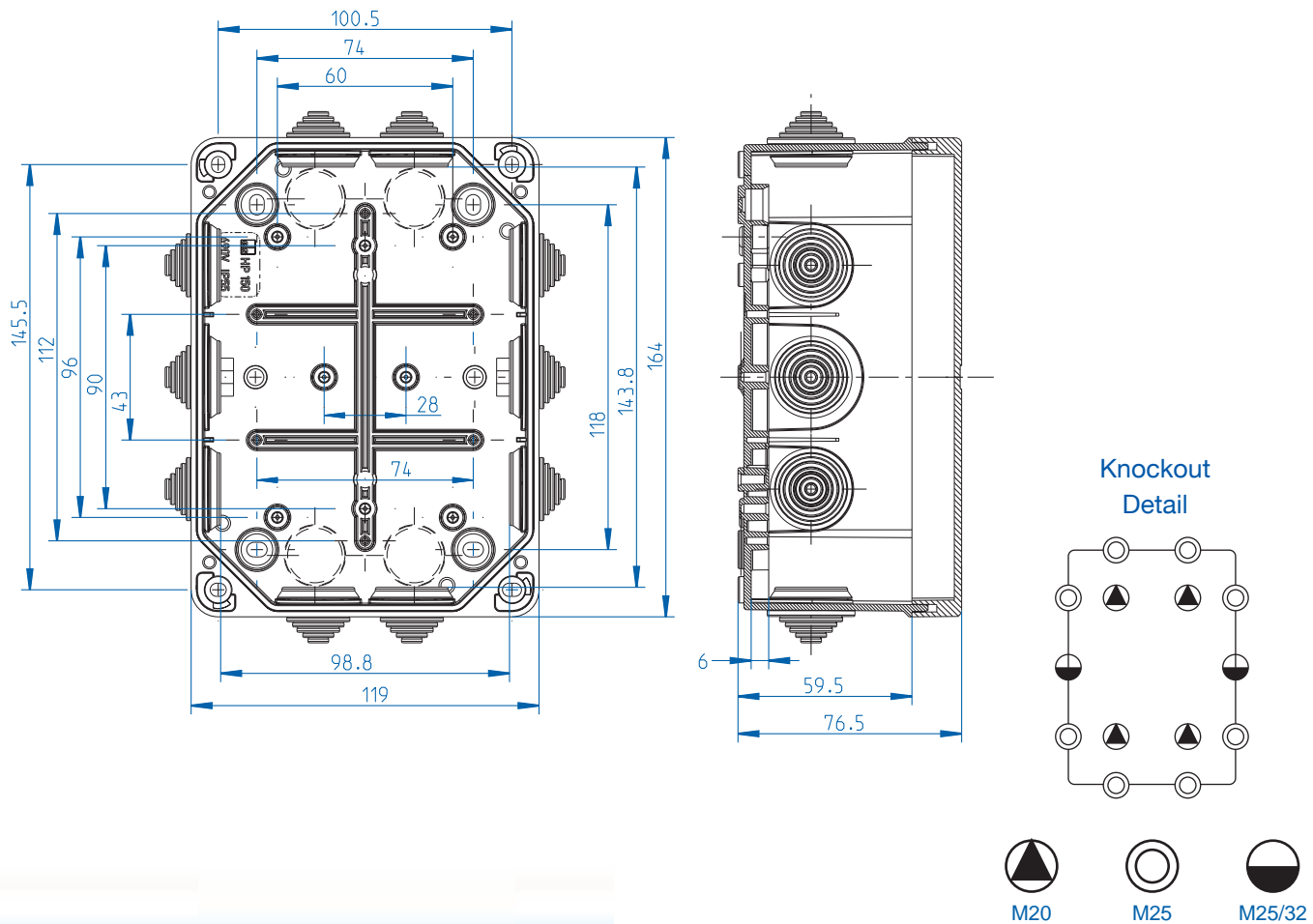
## HP

Ordering Information	Cat. No.	Type	Length	Dimensions mm (in)		Std. Pk.
				Width	Height	
Enclosure	326-950	HP150	164 mm (6.46 in)	119 mm (4.69 in)	77 mm (3.03 in)	1

## Accessories

Ordering Information	Cat. No.	Type	Std. Pk.
DIN Rail - TS35 - 106mm	198-106	TS35/106	1
Universal Entry Seal - M25	216-425	M25	50

For Liquid Tight Strain Reliefs please refer to catalog pages 150-152.





**Standard Features**

- **Protection Level:** IP55
- **Technical:**
  - Metric - Inlets
  - 8 x M32 - Sides
  - 2 x M40/M32 - Sides
  - 4 x M25 - Rear
  - 10 Installed M32 Entry Seals (13 - 26.5 mm)
  - Quick Close Cover
- **Enclosure Material:** Semi - Rigid Polypropylene
- **Material**
  - Temperature Range:** -30°C to 100°C (-22°F to 212°F)
- **Gasket Material:** None / Contact Labyrinth Seal
- **Color:** Light Gray
- **Accessories:** See section below



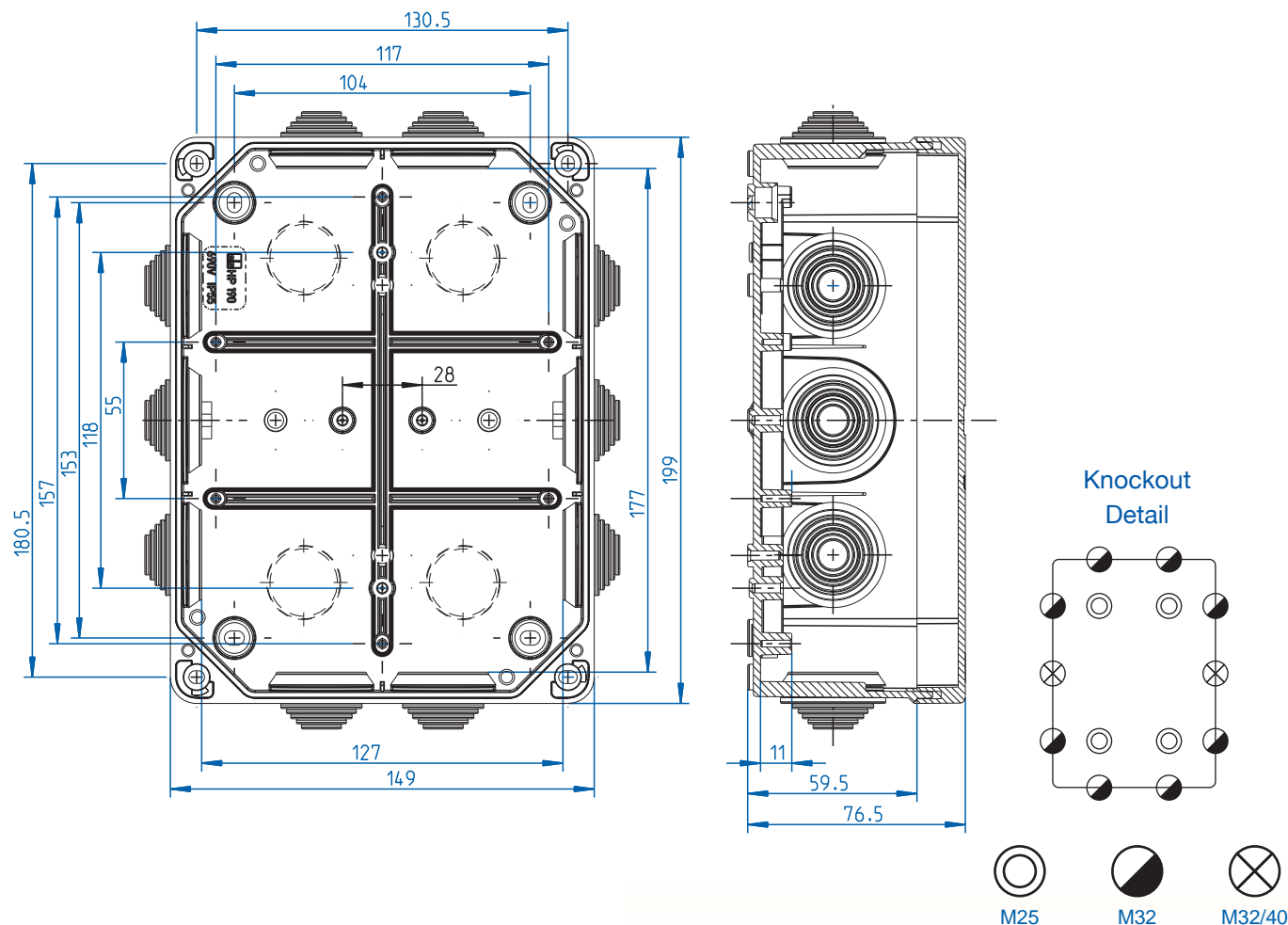
**HP**

Ordering Information	Cat. No.	Type	Length	Dimensions mm (in)		Std. Pk.
				Width	Height	
Enclosure	326-990	HP190	199 mm (7.83 in)	149 mm (5.87 in)	70 mm (3.03 in)	1

**Accessories**

Ordering Information	Cat. No.	Type	Std. Pk.
DIN Rail - TS35 - 144mm	198-144	TS35/144	1
Universal Entry Seal - M32	216-432	M32	25

For Liquid Tight Strain Reliefs please refer to catalog pages 150-152.





# PB Series - Push Button

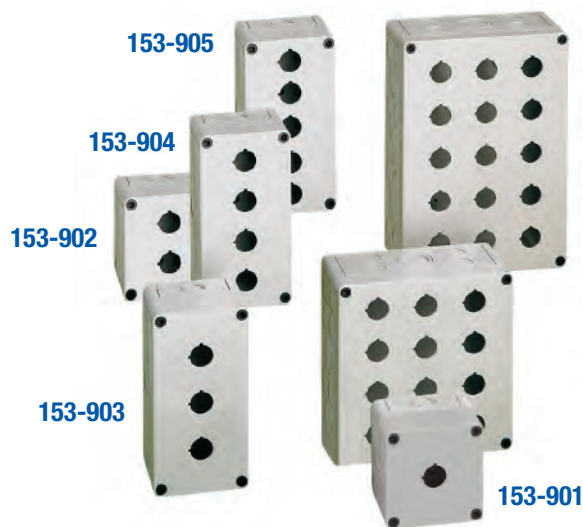
The PB Series features modern, rugged enclosures made of glass fiber reinforced Polycarbonate, designed to protect and insulate 22.5 mm push buttons in dusty, corrosive and wet environments. Five different standard enclosures have pre-drilled mounting holes for up to five switches. Custom enclosures are available in different sizes and hole patterns to suit your specific application. Call Altech for further information.

- Universal fit for nearly all 22.5mm dia. push buttons
- Compatible with the EK and TK Enclosure Series
- Customization services available - design and quantity considerations may apply
- Proven technology with modern design
- Black cover screws are standard with all models
- IP66 / Nema 4X
- UV, weather and impact resistant

**Standard Features**

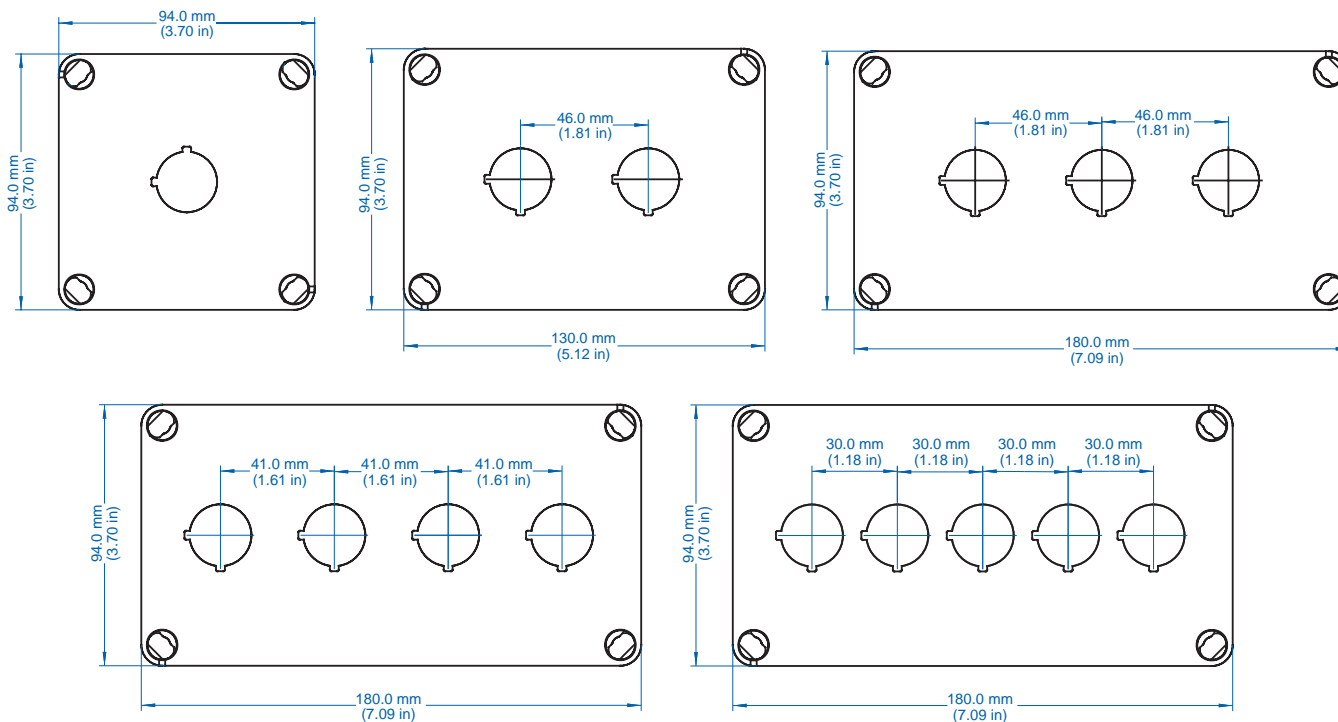
- **Protection Level:** IP66\*
- **Technical:** M16/20 Knockout Sidewalls<sup>1</sup>  
22.5 mm Diameter Push Button Holes
- **UL Recognized**
- **Enclosure Material:** Polycarbonate
- **Material**
- **Temperature Range:** -40°C to 120°C (-40°F to 248°F)
- **Gasket Material:** Polyurethane
- **Color:** Light Gray
- **Accessories:** See section below

\* IP66 when suitable installation devices are used.



**PB**

Ordering Information	Cat. No.	Type	Length	Dimensions mm (in)		Std. Pk.
				Width	Height	
One Button Enclosure	153-901	PB1-L	94 mm (3.70 in)	94 mm (3.70 in)	81 mm (3.19 in)	1
Two Button Enclosure	153-902	PB2-L	130 mm (5.12 in)	94 mm (3.70 in)	81 mm (3.19 in)	1
Three Button Enclosure	153-903	PB3-L	180 mm (7.09 in)	94 mm (3.70 in)	81 mm (3.19 in)	1
Four Button Enclosure	153-904	PB4-L	180 mm (7.09 in)	94 mm (3.70 in)	81 mm (3.19 in)	1
Five Button Enclosure	153-905	PB5-L	180 mm (7.09 in)	94 mm (3.70 in)	81 mm (3.19 in)	1



<sup>1</sup> Consult Altech for knockout location and quantity.



# Accessories

Carefully selected accessories complement the Altech/Spelsberg Enclosure family. A full line, including connectors for wire, cable, or conduit; ground/neutral busbars, mounting plates and hardware, locks, hinge kits, DIN rails, terminal block assemblies and more are available to enhance the overall design capabilities.

Altech/Spelsberg has the right accessories to make your job easier.

- Liquid Tight Strain Relief connectors and connector assemblies
- Mounting plates
- DIN rail support racks
- DIN rails
- Enclosure mounting screws
- Key lock sets
- Hinge kits
- Cover plates
- Combination kits, flange type
- Ground/neutral busbars



**Combination Kits**

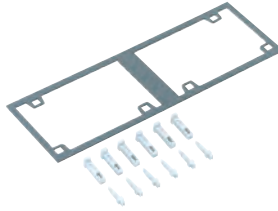
Used to combine series specific enclosures to make larger units. Connect horizontally or vertically.

**Fitting Type Combination Kit**

Threaded with locknut seal for connecting sidewalls. Fits standard Metric knockouts. Drilling template included to ensure enclosure ingress integrity.

**Pin Type Combination Set**

For combining AK and AKL Series Enclosures for 150mm and 300mm sides.



**Din Rails**

DIN rails allow for mounting DIN Terminal Blocks and other control components. All required hardware included.

**TS15x5 mm / for TK+Abox Series**

**TS15x5 mm / for TG Series**  
(mounting hardware comes with enclosure)



**TS35x7.5 mm / for TK+Abox Series**

**TS35x7.5 mm / for TG Series**  
(mounting hardware comes with enclosure)

**TS35x7.5 mm / Special Variants**

**TS35x7.5 mm / for AL Series**

Type	Wall Thickness For Series	Cat. No.	Std. Pack
CK/M20	2x3 mm	192-020	1
CK/M25	2x3 mm	192-025	1
CK/M32	2x3.5 mm	192-032	1
CK/AKII	AK, AKL	791-001	1

Type	For Series	Cat. No.	Std. Pack
TS15/49.5	TK77, 97	197-049	1
TS15/80	TK97, 99	197-080	1
TS15/92	TK1111	197-092	1
TS15/111	TK1309, 1313	197-111	1
TS15/154	TK1809	197-154	1
TS15/68	TG88	197-069	1
TS15/106	TG1208	197-107	1
TS15/110	TG1212	197-110	1
TS15/146	TG1608, 1612	197-146	1
TS15/186	TG2012	197-186	1
TS15/170	TG2015	197-170	1
TS15/222	TG2516	197-222	1
TS15/285	TG3023	197-285	1
TS35/81	TK1111, Abox060	198-081	1
TS35/106	TK1309, 1313, Abox100, HP150	198-106	1
TS35/144	TK1809, 1811, 1813, 1818, HP190	198-144	1
TS35/144	Abox160	894-016	1
TS35/216	TK2518	198-216	1
TS35/216	Abox350	894-035	1
TS35/336	TK3625	198-336	1
TS35/68	TG88	198-068	1
TS35/106	TG1208	198-107	1
TS35/110	TG1212	198-110	1
TS35/146	TG1608, 1612	198-146	1
TS35/186	TG2012	198-186	1
TS35/170	TG2015	198-170	1
TS35/222	TG2516	198-222	1
TS35/285	TG3023	198-285	1
CITS35/250	AKII, AKL	562-735	1
NS35/216-3	AKII, AKL, EK12, 24	795-030	1
TS35/110	AL1212	162-009	1
TS35/208	AL2212	162-010	1
TS35/145	AL1616	162-011	1
TS35/245	AL2616	162-012	1
TS35/345	AL3616	162-013	1
TS35/186	AL2023	162-014	1
TS35/266	AL2823	162-015	1
TS35/316	AL3323	162-016	1

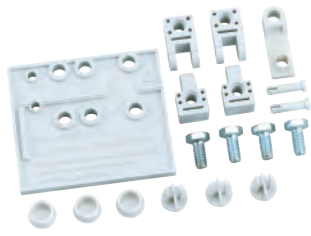
**Component Mounting Screws**

For mounting DIN rails, mounting plates, etc. into molded base holes.

- Select appropriate length
- Self tapping



Type	For Series	Cat. No.	Std. Pack
ST/3.9x9 mm	For	D-409	100
ST/3.9x13 mm	All Plastic	D-413	100
ST/3.9x17 mm	Series	D-417	100
ST/3.9x28 mm		D-428	100



**Hinge Kits**

Attach the enclosure cover and base together for easy opening and closing of the enclosure. All required hardware and instructions are included.

- Small Plastic**
- Large Plastic**
- TG Internal Plastic**
- Metal**



**Enclosure Lid Screws**

Replacements for existing screws.

- Short-Gray**
- Long-Gray**
- Short-Black**
- Long-Black**

**Thumb Screw Caps**

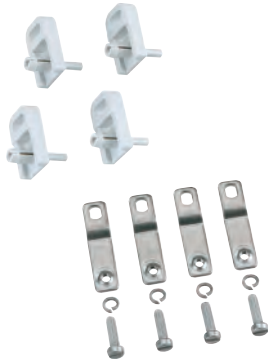


**Locksets**

Locksets prevent the unauthorized opening of enclosure lids or doors.

KL Locksets with two keys easily install into hinged transparent doors.

Enclosure Padlock and Hinge set with all mounting accessories.



**Mounting Tabs**

Enables enclosure to be surface mounted. 1 set = 4 mounting tabs

**Plastic**

**Metal**



**Snap In Double Membrane Entry Seals**

- Fits and seals removed Pg knockouts
- IP66
- Features two integral sealing membranes



**Universal Snap In Entry Seal**

- IP55
- Polyethylene
- Cut steps to fit desired cable size



**Snap In Air Vents**

- Allows moisture to escape from the enclosure
- Labyrinth seal to prevent water formation
- IPX4



**Threaded Vent - M12x1.5**

- Provides pressure compensation
- Air permeable and water-tight membrane
- Reduces condensation formation
- IP68

Type	For Series	Cat. No.	Std. Pack
HK1	TK77 - 1809, EK002	190-002	1
HK2	TK1811 - 3625, EK004 - 024, AK, AKL	190-005	1
TGISS	TGxx12 and TG2015-TG3023	182-001	1
HK-AL	AL1212 - AL3323	154-210	1

Type	For Series	Cat. No.	Std. Pack
TKLS-SG	TK - low cover, gray	190-010	1
TKLS-LG	TK - high cover, gray	190-011	1
TKLS-SB	TK - low cover, transparent	190-012	1
TKLS-LB	TK - high cover, transparent	190-013	1
TS	TK, EK, AK, AKL	190-001	1

Type	For Series	Cat. No.	Std. Pack
KL2	AK	706-102	1
PL	AK, AKL, TK1811 & up	190-100	1

Type	For Series	Cat. No.	Std. Pack
MT1	TK, EK	194-001	1
TGABL	TG	182-002	1
MT2	AKL, AK14 and up	793-004	1
MT-AL1	AL66-3 to AL1010-8	154-004	1
MT-AL2	AL1212-8 to AL3323-11	154-006	1

Mounting Hole Type	Cable Dia. mm (in.)	Cat. No.	Std. Pack
M16	5 - 9 (.20 - .35)	260-416	50
M20	7 - 12 (.28 - .47)	260-420	50
M25	9 - 16 (.35 - .63)	260-425	50
M32	14 - 21 (.55 - .83)	260-432	25
M20	5 - 16 (.20 - .63)	216-420	100
M25	5 - 21 (.20 - .83)	216-425	50
M32	13 - 26.5 (.51 - 1.04)	216-432	25
M20	N/A	262-420	100
M12	N/A	262-412	5

**Mounting Plates**

**TK Series**

Complete with screws.  
Hole patterns match mounting provisions in enclosure base.



**Plastic laminate** 2.5 mm (.10 in) thick.  
Color: Gray

**Steel** 2.0 mm (.08 in) thick.

**TG Series\***

**Plastic laminate** 2.5 mm (.10 in) thick.  
Color: Gray



**Steel** 2.0 mm (0.08 in) thick.

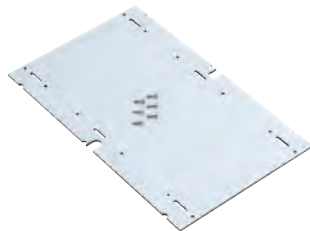
**Abox Series**

Plastic laminate  
Color: Gray



**Aluminum Series**

Steel plates for the mounting and installation of large / heavy devices and components.  
- For AL Series only



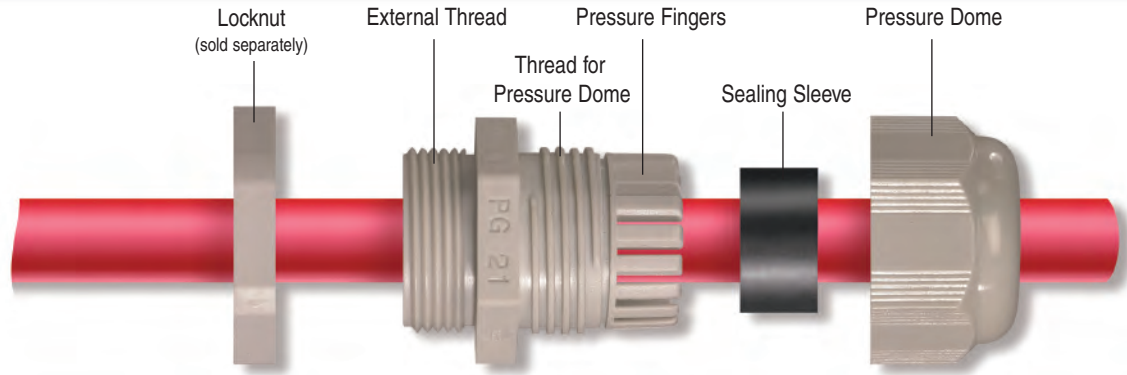
**AK Series**

**Plastic laminate** 4 mm (.16 in) thick  
Color: Gray

**Steel** 2.0 mm (0.08 in) thick.

\*Mounting hardware included with enclosure.

Type	Enclosure Series	Size mm (in.)	Cat. No.	Std. Pack
TKMPI-55	TK55	46x44 (1.81x1.73)	195-055	5
TKMPI-75	TK75	59x44 (2.32x1.73)	195-075	5
TKMPI-77	TK77	45x45 (1.77x1.77)	195-001	1
TKMPI-97	TK97	74x45 (2.91x1.77)	195-002	1
TKMPI-99	TK99	74x74 (2.91x2.91)	195-003	1
TKMPI-1111	TK1111	90x90 (3.54x3.54)	195-004	1
TKMPI-1309	TK1309	110x74 (4.33x2.91)	195-009	1
TKMPI-1313	TK1313	110x110 (4.33x4.33)	195-005	1
TKMPI-1809	TK1809	160x74 (6.30x2.91)	195-010	1
TKMPI-1811	TK1811	150x90 (5.91x3.54)	195-006	1
TKMPI-1813	TK1813	146x100 (5.75x3.94)	195-011	1
TKMPI-1818	TK1818	150x150 (5.91x5.91)	195-007	1
TKMPI-2518	TK2518	220x150 (8.66x5.91)	195-008	1
TKMPI-3625	TK3625	331x220 (13.03x8.66)	195-012	1
TKMPS-77	TK77	45x45 (1.77x1.77)	197-001	1
TKMPS-97	TK97	75x45 (2.95x1.77)	197-002	1
TKMPS-99	TK99	74x74 (2.91x2.91)	197-003	1
TKMPS-1111	TK1111	90x90 (3.54x3.54)	197-004	1
TKMPS-1309	TK1309	110x74 (4.33x2.91)	197-009	1
TKMPS-1313	TK1313	110x110 (4.33x4.33)	197-005	1
TKMPS-1809	TK1809	160x74 (6.30x2.91)	197-010	1
TKMPS-1811	TK1811	150x90 (5.91x3.54)	197-006	1
TKMPS-1813	TK1813	146x100 (5.75x3.94)	197-011	1
TKMPS-1818	TK1818	150x150 (5.91x5.91)	197-007	1
TKMPS-2518	TK2518	220x150 (8.66x5.91)	197-008	1
TKMPS-3625	TK3625	331x220 (13.03x8.66)	197-012	1
TGMPI-88	TG88	73x73 (2.87x2.87)	186-003	1
TGMPI-1208	TG1208	91x73 (3.58x2.87)	186-004	1
TGMPI-1212	TG1212	113x93 (4.45x3.58)	186-005	1
TGMPI-1608	TG1608	131x73 (5.16x2.87)	186-006	1
TGMPI-1612	TG1612	131x113 (5.16x4.45)	186-007	1
TGMPI-2012	TG2012	171x113 (6.73x4.45)	186-008	1
TGMPI-2015	TG2015	171x143 (6.73x5.63)	186-009	1
TGMPI-2516	TG2516	220x152 (8.66x5.98)	186-012	1
TGMPI-3023	TG3023	270x220 (10.63x5.98)	186-013	1
TGMPS-88	TG88	73x73 (2.87x2.87)	187-003	1
TGMPS-1208	TG1208	91x73 (3.58x2.87)	187-004	1
TGMPS-1212	TG1212	113x93 (4.45x3.58)	187-005	1
TGMPS-1608	TG1608	131x73 (5.16x2.87)	187-006	1
TGMPS-1612	TG1612	131x113 (5.16x4.45)	187-007	1
TGMPS-2012	TG2012	171x113 (6.73x4.45)	187-008	1
TGMPS-2015	TG2015	171x143 (6.73x5.63)	187-009	1
TGMPS-2516	TG2516	220x152 (8.66x5.98)	187-012	1
TGMPS-3023	TG3023	270x220 (10.63x5.98)	187-013	1
MP060	Abox060	83x83 (3.27x3.27)	895-006	1
MP100	Abox100	109x109 (4.29x4.29)	895-010	1
MP160	Abox160	149x149 (5.87x5.87)	895-016	1
MP350	Abox350	217x217 (8.54x8.54)	895-035	1
ALMPS-88	AL88	68.8x64 (2.71x2.52)	155-005	1
ALMPS-1308	AL1308	114x68.8 (4.49x2.71)	155-006	1
ALMPS-1808	AL1808	164x68.8 (6.46x2.71)	155-007	1
ALMPS-1010	AL1010	88x88 (3.46x3.46)	155-008	1
ALMPS-1212	AL1212	109x107 (4.29x4.21)	155-009	1
ALMPS-2212	AL2212	207x107 (8.15x4.21)	155-010	1
ALMPS-1616	AL1616	145x143 (5.71x5.63)	155-011	1
ALMPS-2616	AL2616	245x143 (9.65x5.63)	155-012	1
ALMPS-3616	AL3616	345x143 (13.6x5.63)	155-013	1
ALMPS-2023	AL2023	214x184 (8.43x7.24)	155-014	1
ALMPS-2823	AL2823	264x214 (10.4x8.43)	155-015	1
ALMPS-3323	AL3323	314x214 (12.4x8.43)	155-016	1
AKMPI 1	AK, AKL	240x112 (9.45x4.41)	795-001	1
AKMPI 2	AK, AKL	240x240 (9.45x9.45)	795-002	1
AKMPI 3	AK, AKL	240x390 (9.45x15.35)	795-003	1
AKMPI 4	AK, AKL	240x540 (9.45x21.26)	795-004	1
AKMPS 2	AK, AKL	240x240 (9.45x9.45)	795-012	1
AKMPS 3	AK, AKL	240x390 (9.45x15.35)	795-013	1
AKMPS 4	AK, AKL	240x540 (9.45x21.26)	795-014	1



- Increased Cable Range - The specially designed pressure fingers allow for up to 60% wider cable range.
- IP68 achieved without seal rings - The redesigned integral sealing ridge obtains an IP68 protection rating without the use of seal rings.

**Material:**

- Body: Polyamide 6
- Seal: Neoprene

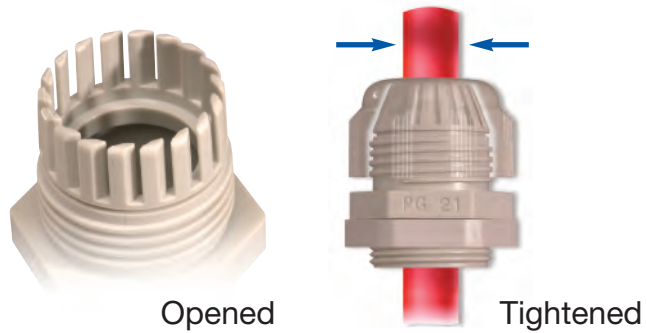
**Technical properties:**

- Maximum strain relief through clamping range
- IP68 achieved without seal rings (PG and metric only)

- Trapezoidal thread with high torque guarantees tight and permanent fit of the dome nut
- Gas- and watertight

**Applications:**

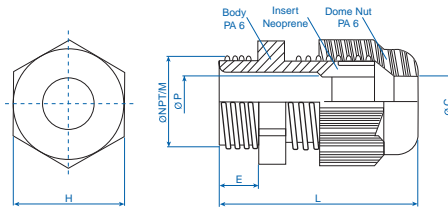
- Machines and devices



**Cable Gland, Polyamide, Metric Thread**

Thread	Cable Range mm	Cat. No. Light grey	Cat. No. Black	Std. Pk.
M 12 x 1.5	1.5-5	5309612	5309712	100
M 12 x 1.5	2.5-6.5	5308950	5308940	100
M 16 x 1.5/9	1.5-6	5309615	5309715	50
M 16 x 1.5/11	2-7	5309616	5309716	50
M 16 x 1.5/9	2.5-8	5308958	5308948	50
M 16 x 1.5/11	3.5-10	5308951	5308941	50
M 20 x 1.5/13	3-9	5309619	5309719	50
M 20 x 1.5/16	5-12	5309620	5309720	50
M 20 x 1.5/13	5-12	5308959	5308949	50
M 20 x 1.5/16	7-14	5308952	5308942	50
M 25 x 1.5/16	5-12	5309624	5309724	50
M 25 x 1.5/21	7-16	5309625	5309725	25
M 25 x 1.5/16	7-14	5308960	5308962	50
M 25 x 1.5/21	9-18	5308953	5308943	25
M 32 x 1.5	11-21	5309632	5309732	20
M 32 x 1.5	14-25	5308954	5308944	20
M 40 x 1.5	13-26	5309640	5309740	10
M 40 x 1.5	18-32	5308955	5308945	10
M 50 x 1.5	17-31	5309650	5309750	5
M 50 x 1.5	24-38.5	5308956	5308946	5
M 63 x 1.5	26-39	5309663	5309763	5
M 63 x 1.5	35-48	5308957	5308947	5

Temperature Range	
PA6	Neoprene
-25 to 100°C (-13 to 212°F)	-25 to 100°C (-13 to 212°F)



Thread Size	Dimensions					
	H mm	E mm	L mm	ØC mm	ØP mm	ØThread mm
M12x1.5	15	8	32	6.7	6.8	12.0
M16x1.5/9	19	10	37	8.5	8.5	16.0
M16x1.5/11	22	10	39	10.5	10.5	16.0
M20x1.5/13	24	10	40	12.5	12.5	20.0
M20x1.5/16	27	10	43	14.5	14.5	20.0
M25x1.5/16	27	10	45	14.5	14.5	25.0
M25x1.5/21	33	10	49	18.5	18.5	25.0
M32x1.5	42	10	52	25.5	25.5	32.0
M40x1.5	53	10	62	32.5	32.5	40.0
M50x1.5	60	12	67	39.0	39.0	50.0
M63x1.5	70	12	68	48.5	48.5	63.0

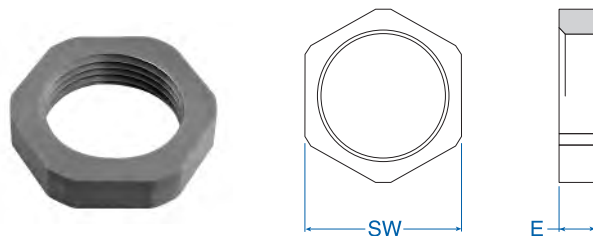
**Lock Nuts, Polyamide, Metric Thread**

**Material:**

- Polyamide 6
- 25 % Glass fiber Reinforced

Thread	Thickness (E) mm	SW mm	Cat. No. Light grey	Cat. No. Black	Std. Pk.
<b>Metric</b>					
M 12 x 1.5	5	19	7211979	7211974	50
M 16 x 1.5	5	22	7211980	7211975	50
M 20 x 1.5	5	24	7211981	7211976	50
M 25 x 1.5	6	30	7211982	7211977	50
M 32 x 1.5	7.5	38	7211983	7211978	50
M 40 x 1.5	8	50	7211984	7211990	20
M 50 x 1.5	9	60	7211985	7211991	10
M 63 x 1.5	10	75	7211986	7211992	5

Temperature Range PA	
-30 to 120°C (-22 to 248°F)	





**CHART I International Protection (IP) Ratings to IEC 529**

Protection Modes to EN 60529 DIN VDE 0470 Part 1			Second Digit – Degree of Water Protection									
			IP X0 No Protection	IP X1 Protection against dripping water falling vertically	IP X2 Protection against dripping water even when tilted 15° vertically	IP X3 Protection against dripping water even when tilted 60°	IP X4 Protection against splashing water from any direction	IP X5 Protection against water jets from any direction	IP X6 Protection against heavy seas from any direction	IP X7 Protection against effects of immersion	IP X8 Protection against submersion	
First Digit	Person touching	Protection against penetration of foreign bodies										
	IP 0X	No protection	No protection	IP 00								
IP 1X	Protection against touching with the hand	Protection against large solid bodies > 50mm Ø	IP 10	IP 11	IP 12							
IP 2X	Protection against touching with the finger	Protect. against med., solid bodies > 12.5 mm Ø	IP 20	IP 21	IP 22	IP 23						
IP 3X	Protection against touching with tools, wires, etc., > 2.5 mm Ø	Protection against small, solid bodies > 2.5 mm Ø	IP 30	IP 31	IP 32	IP 33	IP 34					
IP 4X	Protection against touching with tools, wires, etc., > 1 mm Ø	Protection against small, solid bodies > 1 mm Ø	IP 40	IP 41	IP 42	IP 43	IP 44					
IP 5X	Protection against touching with tools, wires, etc., > 1 mm Ø	Protection against internal dust accumulation	IP 50				IP 54	IP 55				
IP 6X	Protection against touching with tools, wires, etc., > 1 mm Ø	Protection against all dust penetration	IP 60					IP 65	IP 66	IP 67	IP 68	

In some countries a third digit is added. It gives information about the mechanical properties of the equipment. This designation has not yet been standardized according to current DIN and IEC regulations. Devices in this catalogue correspond to digit IP .7.

**CHART II NEMA / IP Cross Reference**

The chart below provides a cross-reference from NEMA to International Protection (IP) Ratings. This cross-reference is an approximation based on the most current information available. It is not sanctioned by NEMA, IEC, or any other regulatory body. This chart should be used only as a guideline.

IEC 529 Protection Ratings	NEMA Ratings									
	1	2	3	3R	4	4X	5	6	12	13
IP 00	↓									
IP 10		↓								
IP 11										
IP 20										
IP 21										
IP 22										
IP 23										
IP 30										
IP 31										
IP 32				↓						
IP 33										
IP 40										
IP 41										
IP 42										
IP 43										
IP 50										
IP 51										
IP 52										
IP 53										
IP 54										↓
IP 55							↓			
IP 56										
IP 60										
IP 61										
IP 62										
IP 63			↓							
IP 64										
IP 65										
IP 66					↓	↓				
IP 67								↓	↓	
IP 68										

Properties of used Materials							
Material	Product	Temperature Resistance			Temperature Range to Maintain IP Rating	Flammability Rating acc. to DIN EN 60695	
		Short-Term	Constant	Min. Temp.		UL 94	VDE 0471
Polystyrene, flame resistant, impact resistant	TK//AK/AKL and Abox series	80° C 176° F	70° C 158° F	-40° C -40° F	-35 – 40° C -31 – 104° F	HB	650° C 1202° F
Polycarbonate, glass fiber reinforced, flame-impact resistant	TK/TG/AK-i/AKL/EK and Abox-i series	130° C 266° F	120° C 248° F	-40° C -40° F	-35 – 80° C -31 – 176° F	V - 2 (5V) <sup>1</sup>	960° C 1706° F
Polycarbonate, transparent	TK/TG/EK/AK/AKL hinged door and transparent lid	130° C 266° F	120° C 248° F	-40° C -40° F	-35 – 80° C -31 – 176° F	V - 2 (5V) <sup>1</sup>	850° C 1562° F
ABS, flame resistant, impact resistant	TG Series	90° C 194° F	80° C 176° F	-40° C -40° F	-35 – 40° C -31 – 104° F	HB	650° C 1202° F
Thermoplastic Elastomer	Membrane plugs, membranes Abox 025/040	110° C 230° F	80° C 176° F	-30° C -22° F	NA	HB	750° C 1382° F
Polyethylene, flame resistant	Entry Spouts	100° C 212° F	70° C 158° F	-40° C -40° F	NA	HB	650° C 1202° F
Aluminum Al 12Si	AL series	130° C 266° F	100° C 212° F	-40° C -40° F	-35 – 75° C -31 – 167° F	–	–
Polypropylene, flame resistant	HP series	120° C 248° F	100° C 212° F	-30° C -22° F	-25 – 40° C -13 – 104° F	V - 2	960° C 1760° F

All data given according to specifications of manufacturers; no guarantee from Altech/Spelsberg can be claimed.

<sup>1</sup>Approved for TK and TG enclosures.

Maximum permissible number of terminals and conductors to DIN 57606/VDE 0606									
The table below indicates the numbers of terminals and conductors which can be used in the respective Altech/Spelsberg junction box:									
Box Size Rated Cross-Section mm <sup>2</sup>	Minimum Box Volume cm <sup>3</sup>	Applies to Altech/Spelsberg Box Models	Number of Terminals and Conductors	Conductor cross section mm <sup>2</sup>					
				1.5	2.5	4	6	10	16
2.5 mm <sup>2</sup>	115 cm <sup>3</sup>	HP 70/80 Abox 025	Terminal Conductor	6 20	5 15				
4 mm <sup>2</sup>	200 cm <sup>3</sup>	HP 90 Abox 040	Terminal Conductor	8 24	6 20	5 15			
6 mm <sup>2</sup>	300 cm <sup>3</sup>	HP 100 Abox 060	Terminal Conductor	10 30	8 24	6 20	5 15		
10 mm <sup>2</sup>	500 cm <sup>3</sup>	Abox 100	Terminal Conductor	12 36	10 30	8 24	6 20	5 15	
16 mm <sup>2</sup>	825 cm <sup>3</sup>	Abox 160	Terminal Conductor	18 54	15 45	12 36	8 24	6 20	5 15

Chemical Resistance Materials														
Material	Product	water	weak acid	strong acid	weak alkali	strong alkali	alcohol	petrol	benzene	mineral oil	diesel	vegetable fat	animal fat	Ammonia
Polystyrene, flame resistant, impact resistant	TK/AK/AKL and Abox series	●	●	◐	●	●	●	⊗	⊗	◐	⊗	◐	◐	●
ABS	TG ABS	●	●	◐	●	●	●	⊗	⊗	●	●	◐	◐	⊗
Polycarbonate, glass fiber reinforced, flame-, impact resistant	TK/AK-i/AKL/EK and Abox-i series	●	●	●	⊗	⊗	●	●	⊗	●	◐	●	●	⊗
Polycarbonate	TG PC	●	●	●	⊗	⊗	●	●	⊗	●	◐	●	●	⊗
Polycarbonate, transparent	TK/EK/AK/AKL/TG hinged door and transparent lid	●	●	●	⊗	⊗	◐	◐	⊗	●	◐	●	●	⊗
Thermoplastic Elastomer	Membrane plug, membranes Abox 025/040	●	●	◐	●	◐	●	◐	◐	◐	◐	●	●	◐
Polyethylene, flame resistant	Entry Spouts	●	●	●	●	●	●	◐	⊗	◐	◐	●	●	●
Polyurethane	Lid seals for all models	●	◐	◐	◐	◐	◐	◐	◐	●	◐	●	●	◐
Aluminum Al 12 Si	AL series	●	●	◐	●	●	◐	●	⊗	●	●	◐	◐	●
Polypropylene, flame resistant	HP series	●	●	◐	●	◐	●	◐	◐	●	◐	●	●	●
		● = resistant	◐ = limited resistance			⊗ = non-resistant								

### UV - Resistance

The degree of weather resistance given by the polycarbonate enclosures used is generally adequate. The enclosures have been tested under practical conditions in tropical regions for many years. If transparent lids are used, it is recommended to protect them against the direct effects of sun radiation.

The American UL testing laboratories have approved several types of the PC series. A part of this examination is the test for UV resistance (UL 746 C).

The weather proof test according to DIN 53 387 / 1000 hours was conducted at the "National Materials Testing Authority" in Dortmund.

Materials tested:

- Polycarbonate, 15% GV, gray
- Polycarbonate, transparent
- Polycarbonate, tinted
- Polypropylene, gray

### Approval through «Bureau Veritas»

The following program series have been approved (Nr. 2661/2869/BO/OD) and are consequently suitable for installation in ships and shipyards:

- EK- Series distribution boards
- TK- Series empty enclosures

### Polyurethane - sealing material

All enclosure types utilize a seal composed of a dual-component, specialty mixture. The seals are halogen-free, chemically resistant and especially temperature resistant. The seals are inserted by robots, are exactly evenly distributed, and have a solid grip on the upper section of the enclosure. Consequently, a secure and safe respect reliable function of the seals is guaranteed.

### Protection against condensation

The more tightly sealed the equipment, for example junction boxes or distributor housings, the greater the likelihood of condensation forming. This is especially the case at locations where highly fluctuating temperatures are to be expected. These effects are intensified by the power loss generated in the enclosures.

Owing to the differences in temperature, a difference also arises in the pressure conditions, which causes the enclosure to draw in air when the temperature changes. The next time the temperature increases, the humidity in this air condenses on the cold surface of the housing, for example on the lid. This process is only reversible to a limited extent, so the water collects in the housing.

Since this effect occurs regularly, even daily to an extent, a considerable volume of water may collect internally. If this housing has an increased protection rating, it no longer discharges this water.

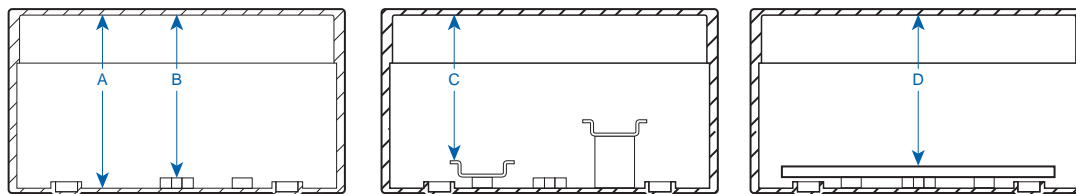
Precautions must be taken with respect to drainage of water if water collects or condensation can occur. We recommend the use of ventilation seals. (see page 150)

### Protection against rain / snow (precipitation)

The protection rating tests carried out under DIN EN 60529 and UL 746 C are used as comparative tests and for classification of properties. The tests are limited to a few minutes and cannot emulate frequent exposure to rain / snow or cleaning with water jets. In addition, the local conditions may differ so greatly that a general exposure test cannot be defined.

Installations should be done in protected outdoor areas so that damage cannot be caused by condensation or ingress of water.

**Clearance Installation Heights for Spelsberg Enclosures**

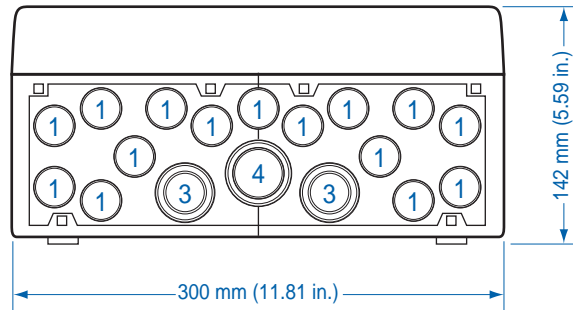


A) from base bottom  
 B) from standoffs in base  
 C) from top of mounting rail NS 35 (mounted on base standoffs)  
 D) from top of plastic mounting plate  
 [all dimensions in mm (in)]

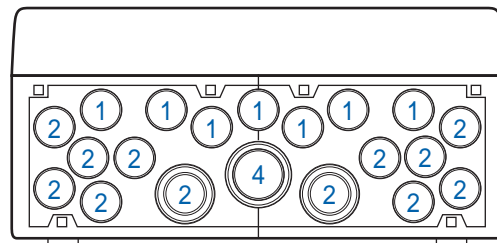
Series	A	B	C	D
<b>HP- Series</b>				
HP 70/80	38.5 (1.52)	31.5 (1.24)		
HP 90	40 (1.57)	33 (1.30)		
HP 100	52.5 (2.07)	46.5 (1.83)		
<b>Abox/Abox-i - Junction boxes</b>				
Abox/Abox-i 025	42 (1.65)	36 (1.42)		
Abox/Abox-i 040	45 (1.77)	39 (1.54)	34 [TS 15] (1.34)	
Abox/Abox-i 060	49 (1.93)	49 (1.93)	41.5 (1.63)	38.5 (1.52)
Abox/Abox-i 100	60 (2.36)	60 (2.36)	52.5 (2.07)	49.5 (1.95)
Abox/Abox-i 160	71 (2.80)	71 (2.80)	63.5 (2.50)	60.5 (2.38)
Abox/Abox-i 350	92 (3.62)	92 (3.62)	84.5 (3.33)	81.5 (3.21)
<b>AK/AKi - Distribution Boxes</b>				
AK/AKi03	85 (3.35)	79 (3.11)	71.5 (2.81)	
AK/AKi05 to 24	111 (4.37)	105 (4.13)	98.5 (3.88)	
AK/AKi14 to 70	117.5 (4.63)	114 (4.49)	96 (3.78)	
<b>AKL/AKi - Enclosures</b>				
AKL/AKi 1 to 4	117.5 (4.63)	114 (4.49)	106.5 (4.19)	110 (4.33)
AKL/AKi 2-h to 4-h	194.5 (7.66)	191 (7.52)	183.5 (7.22)	187 (7.36)
<b>EK- Distribution boxes</b>				
EK 002	69 (2.76)	69 (2.76)	63.5 (2.50)	
EK 004/008/012/024	103 (4.06)	97 (3.82)	89.5 (3.52)	
<b>TK- Enclosures - low cover</b>				
TK 77/97/99/1309/1809	45 (1.77)	45 (1.77)	40 [TS 15] (1.57)	36 (1.42)
TK 1111	53 (2.09)	53 (2.09)	45.5 (1.79)	44 (1.73)
TK 1313	63 (2.48)	63 (2.48)	55.5 (2.19)	54 (2.13)
TK 1811f/1813f/1818f/2518f	55 (2.17)	48 (1.89)	40.5 (1.59)	45 (1.77)
TK 1811/1813/1818/2518	81 (3.19)	75 (2.95)	67.5 (2.66)	72 (2.83)
TK 3625	103 (4.06)	97 (3.82)	89.5 (3.41)	94 (3.70)
<b>TK- Enclosures - high cover</b>				
TK 77/97/99/1309/1809	69 (2.72)	69 (2.72)	64.0 [TS 15] (2.52)	60 (2.36)
TK 1111	77 (3.03)	77 (3.03)	69.5 (2.74)	68 (2.68)
TK 1313	87 (3.43)	87 (3.43)	79.5 (3.13)	78 (3.07)
TK 1811f/1813f/1818f/2518f	76 (2.99)	69 (2.72)	61.5 (2.42)	66 (2.60)
TK 1811/1813/1818/2518	103 (4.06)	97 (3.82)	89.5 (3.52)	94 (3.70)
TK 3625	156 (6.14)	150 (5.90)	142.5 (5.61)	147 (5.79)
<b>TK- Enclosures - extra high cover</b>				
TK 1811f/1813f/1818f/2518f	130 (5.12)	123 (4.84)	115.5 (4.55)	120 (4.72)
TK 1811/1818/2518 – 16	156 (6.14)	150 (5.90)	142.5 (5.61)	147.5 (5.81)
<b>TG - Enclosures</b>				
TG88/1208/1212/1608-6	46.7 (1.84)	39.7 (1.56)	32 (1.26)	37 (1.46)
TG88/1208/1212/1608-9	76.7 (3.02)	69.7 (2.74)	62 (2.44)	67 (2.64)
TG1612/2012/2516/3023-9	81.7 (3.22)	74.7 (2.94)	67 (2.64)	72 (2.83)
TG2012/2015-8	66.7 (2.63)	59.7 (2.35)	52 (2.05)	57 (2.24)
TG2516-12	111.7 (4.40)	104.7 (4.12)	97 (3.82)	102 (4.02)
TG3023-11	101.7 (4.00)	94.7 (3.73)	87 (3.43)	92 (3.62)

## AK and AKL Knockout Details

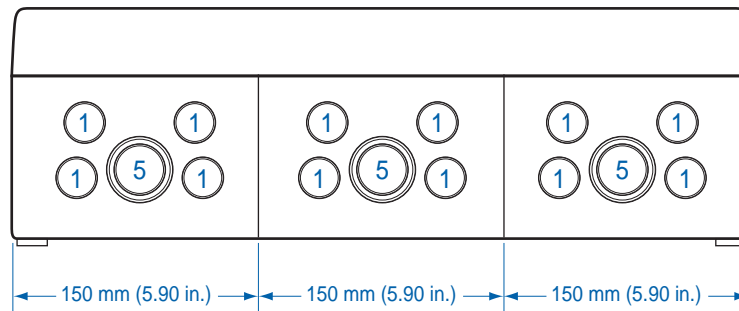
End View  
 AK - Bottom Only  
 AKL - Top and Bottom



End View  
 AK - Top Only



Side View  
 AK  
 AKL



- ① = M20 (Knockout)
- ② = M20 (Installed Double Membrane Seal)
- ③ = M20/M25 (Knockout)
- ④ = M32/M40 (Knockout)
- ⑤ = M25/M32 (Knockout)

Part No.	Page	Part No.	Page	Part No.	Page
5308940	152	101-005-01	52	106-513	36
5308941	152	101-005-91	52	106-514	28
5308942	152	101-006-01	54	106-515	32
5308943	152	101-006-91	54	106-516	34
5308944	152	101-007-01	56	107-006	30
5308945	152	101-007-91	56	107-007	38
5308946	152	101-012-01	60	107-008	42
5308947	152	101-012-91	60	107-011	40
5308948	152	101-013-01	62	107-013	36
5308949	152	101-013-91	62	107-014	28
5308950	152	101-508-01	58	107-015	32
5308951	152	101-508-91	58	107-016	34
5308952	152	104-406	30	109-406	30
5308953	152	104-407	38	109-407	38
5308954	152	104-408	42	109-408	42
5308955	152	104-411	40	109-411	40
5308956	152	104-413	36	109-413	36
5308957	152	104-414	28	109-414	28
5308958	152	104-415	32	109-415	32
5308959	152	104-416	34	109-416	34
5308960	152	105-401	14	110-401	14
5308962	152	105-402	16	110-402	16
5309612	152	105-403	18	110-403	18
5309615	152	105-404	20	110-404	20
5309616	152	105-405	24	110-405	24
5309619	152	105-406	30	110-406	30
5309620	152	105-407	38	110-407	38
5309624	152	105-408	42	110-408	42
5309625	152	105-409	22	110-409	22
5309632	152	105-410	26	110-410	26
5309640	152	105-411	40	110-411	40
5309650	152	105-412	44	110-412	44
5309663	152	105-413	36	110-413	36
5309712	152	105-414	28	110-414	28
5309715	152	105-415	32	110-415	32
5309716	152	105-416	34	110-416	34
5309719	152	105-901	14	110-901	14
5309720	152	105-902	16	110-902	16
5309724	152	105-903	18	110-903	18
5309725	152	105-904	20	110-904	20
5309732	152	105-905	24	110-905	24
5309740	152	105-906	30	110-906	30
5309750	152	105-907	38	110-907	38
5309763	152	105-908	42	110-908	42
7211974	152	105-909	22	110-909	22
7211975	152	105-910	26	110-910	26
7211976	152	105-911	40	110-911	40
7211977	152	105-912	44	110-912	44
7211978	152	105-913	36	110-913	36
7211979	152	105-914	28	110-914	28
7211980	152	105-915	32	110-915	32
7211981	152	105-916	34	110-916	34
7211982	152	106-001	14	111-001	14
7211983	152	106-002	16	111-002	16
7211984	152	106-003	18	111-003	18
7211985	152	106-004	20	111-004	20
7211986	152	106-005	24	111-005	24
7211990	152	106-006	30	111-006	30
7211991	152	106-007	38	111-007	38
7211992	152	106-008	42	111-008	42
100-403-01	48	106-009	22	111-009	22
100-403-91	48	106-010	26	111-010	26
100-404-01	50	106-011	40	111-011	40
100-404-91	50	106-012	44	111-012	44
100-405-01	52	106-013	36	111-013	36
100-405-91	52	106-014	28	111-014	28
100-406-01	54	106-015	32	111-015	32
100-406-91	54	106-016	34	111-016	34
100-407-01	56	106-501	14	111-501	14
100-407-91	56	106-502	16	111-502	16
100-412-01	60	106-503	18	111-503	18
100-412-91	60	106-504	20	111-504	20
100-413-01	62	106-505	24	111-505	24
100-413-91	62	106-506	30	111-506	30
100-908-01	58	106-507	38	111-507	38
100-908-91	58	106-508	42	111-508	42
101-003-01	48	106-509	22	111-509	22
101-003-91	48	106-510	26	111-510	26
101-004-01	50	106-511	40	111-511	40
101-004-91	50	106-512	44	111-512	44

# Index

<b>Part No.</b>	<b>Page</b>	<b>Part No.</b>	<b>Page</b>	<b>Part No.</b>	<b>Page</b>
111-513	36	127-910	26	137-504	20
111-514	28	127-911	40	137-505	24
111-515	32	127-912	44	137-506	30
111-516	34	127-913	36	137-507	38
112-006	30	127-914	28	137-508	42
112-007	38	127-915	32	137-509	22
112-008	42	127-916	34	137-510	26
112-011	40	128-406	30	137-511	40
112-013	36	128-407	38	137-512	44
112-014	28	128-408	42	137-513	36
112-015	32	128-411	40	137-514	28
112-016	34	128-413	36	137-515	32
120-401	14	128-414	28	137-516	34
120-402	16	128-415	32	138-006	30
120-403	18	128-416	34	138-007	38
120-404	20	128-475	12	138-008	42
120-405	24	129-455	12	138-011	40
120-406	30	129-475	12	138-013	36
120-407	38	130-001	14	138-014	28
120-408	42	130-002	16	138-015	32
120-409	22	130-003	18	138-016	34
120-410	26	130-004	20	138-475	12
120-411	40	130-005	24	139-455	12
120-412	44	130-006	30	139-475	12
120-413	36	130-007	38	150-001	66
120-414	28	130-008	42	150-002	67
120-415	32	130-009	22	150-003	68
120-416	34	130-010	26	150-004	69
120-455	12	130-011	40	150-005	70
120-475	12	130-012	44	150-006	72
120-901	14	130-013	36	150-007	73
120-902	16	130-014	28	150-008	74
120-903	18	130-015	32	150-009	76
120-904	20	130-016	34	150-010	80
120-905	24	130-455	12	150-011	81
120-906	30	130-475	12	150-012	83
120-907	38	130-501	14	150-013	84
120-908	42	130-502	16	150-014	85
120-909	22	130-503	18	150-015	87
120-910	26	130-504	20	150-016	88
120-911	40	130-505	24	151-001	71
120-912	44	130-506	30	151-003	75
120-913	36	130-507	38	151-004	77
120-914	28	130-508	42	151-005	78
120-915	32	130-509	22	151-006	79
120-916	34	130-510	26	151-007	82
121-406	30	130-511	40	151-008	86
121-407	38	130-512	44	151-012	89
121-408	42	130-513	36	153-901	147
121-411	40	130-514	28	153-902	147
121-413	36	130-515	32	153-903	147
121-414	28	130-516	34	153-904	147
121-415	32	131-006	30	153-905	147
121-416	34	131-007	38	154-004	150
127-401	14	131-008	42	154-006	150
127-402	16	131-011	40	154-210	150
127-403	18	131-013	36	155-005	151
127-404	20	131-014	28	155-006	151
127-405	24	131-015	32	155-007	151
127-406	30	131-016	34	155-008	151
127-407	38	137-001	14	155-009	151
127-408	42	137-002	16	155-010	151
127-409	22	137-003	18	155-011	151
127-410	26	137-004	20	155-012	151
127-411	40	137-005	24	155-013	151
127-412	44	137-006	30	155-014	151
127-413	36	137-007	38	155-015	151
127-414	28	137-008	42	155-016	151
127-415	32	137-009	22	162-009	149
127-416	34	137-010	26	162-010	149
127-455	12	137-011	40	162-011	149
127-475	12	137-012	44	162-012	149
127-901	14	137-013	36	162-013	149
127-902	16	137-014	28	162-014	149
127-903	18	137-015	32	162-015	149
127-904	20	137-016	34	162-016	149
127-905	24	137-455	12	182-001	150
127-906	30	137-475	12	182-002	150
127-907	38	137-501	14	186-003	151
127-908	42	137-502	16	186-004	151
127-909	22	137-503	18	186-005	151



<b>Part No.</b>	<b>Page</b>	<b>Part No.</b>	<b>Page</b>	<b>Part No.</b>	<b>Page</b>
186-006	151	200-404-01	50	736-470	136
186-007	151	200-404-91	50	737-414	129
186-008	151	200-405-01	52	737-428	131
186-009	151	200-405-91	52	737-442	133
186-012	151	200-406-01	54	737-456	135
186-013	151	200-406-91	54	738-414	129
187-003	151	200-407-01	56	738-428	131
187-004	151	200-407-91	56	738-442	133
187-005	151	200-412-01	60	738-456	135
187-006	151	200-412-91	60	740-401	110
187-007	151	200-413-01	62	740-402	111
187-008	151	200-413-91	62	740-403	112
187-009	151	200-908-01	58	740-404	113
187-012	151	200-908-91	58	741-401	110
187-013	151	201-003-01	48	741-402	111
190-001	150	201-003-91	48	741-403	112
190-002	150	201-004-01	50	741-404	113
190-005	150	201-004-91	50	742-902	111
190-010	150	201-005-01	52	742-903	112
190-011	150	201-005-91	52	742-904	113
190-012	150	201-006-01	54	743-902	111
190-013	150	201-006-91	54	743-903	112
190-100	150	201-007-01	56	743-904	113
192-020	149	201-007-91	56	744-001	110
192-025	149	201-012-01	60	744-002	111
192-032	149	201-012-91	60	744-003	112
194-001	150	201-013-01	62	744-004	113
195-001	151	201-013-91	62	745-001	110
195-002	151	201-508-01	58	745-002	111
195-003	151	201-508-91	58	745-003	112
195-004	151	216-420	150	745-004	113
195-005	151	216-425	150	746-902	111
195-006	151	216-432	150	746-903	112
195-007	151	260-416	150	746-904	113
195-008	151	260-420	150	747-902	111
195-009	151	260-425	150	747-903	112
195-010	151	260-432	150	747-904	113
195-011	151	262-412	150	791-001	149
195-012	151	262-420	150	793-004	150
195-055	151	320-970	140	795-001	151
195-075	151	322-980	141	795-002	151
197-001	151	325-990	142	795-003	151
197-002	151	326-900	143	795-004	151
197-003	151	326-950	144	795-012	151
197-004	151	326-990	145	795-013	151
197-005	151	490-402	102	795-014	151
197-006	151	490-404	103	795-030	149
197-007	151	490-406	104	802-107	92
197-008	151	490-410	105	802-407	92
197-009	151	490-416	106	802-607	92
197-010	151	490-435	107	802-907	92
197-011	151	490-902	102	803-107	93
197-012	151	490-904	103	803-407	93
197-049	149	490-906	104	803-607	93
197-069	149	490-910	105	803-907	93
197-080	149	490-916	106	804-107	94
197-092	149	490-935	107	804-407	94
197-107	149	542-502	116	804-607	94
197-110	149	542-504	117	804-907	94
197-111	149	542-508	118	806-407	95
197-146	149	542-512	119	806-907	95
197-154	149	542-524	120	810-410	96
197-170	149	562-735	149	810-910	96
197-186	149	706-102	150	816-410	97
197-222	149	735-403	124	816-910	97
197-285	149	735-405	125	835-410	98
198-068	149	735-409	126	835-910	98
198-081	149	735-412	127	894-016	149
198-106	149	735-414	128	894-035	149
198-107	149	735-428	130	895-006	151
198-110	149	735-442	132	895-010	151
198-144	149	735-456	134	895-016	151
198-146	149	735-470	136	895-035	151
198-170	149	736-403	124	D-409	149
198-186	149	736-405	125	D-413	149
198-216	149	736-409	126	D-417	149
198-222	149	736-412	127	D-428	149
198-285	149	736-414	128		
198-336	149	736-428	130		
200-403-01	48	736-442	132		
200-403-91	48	736-456	134		

## STANDARD TERMS AND CONDITIONS OF SALE

**TITLE** - Title to the products of ALTECH shall remain with ALTECH until payment is made in full by Customer. Such reservation of title is for the purpose of securing the purchase price and shall not relieve Customer of the duty to inspect the products upon receipt, to notify ALTECH of any deficiencies or defects, and to exercise due care in the use, installation, operation, and maintenance of the products when on the premise of the Customer or under the control of the Customer. Notwithstanding any reservation of title by ALTECH, risk of loss shall pass to customer at any time of shipment.

**SHIPMENT AND DELIVERY** - All orders for destination in the mainland United States (less Hawaii, Alaska and non-continental United States possessions) will be shipped F.O.B. Flemington, N.J. All destination, shipping and other charges shall be paid by the Customer in accordance with ALTECH's then current shipping and billing practices.

Delivery dates given in the acceptance of any order are approximate. ALTECH shall not be liable for delays in delivery or in performance due to causes beyond its reasonable control including acts of God, acts of Customer, acts of civil or military authority, fires, strikes or other labor disturbances, war, riot or delays in transportation. In the event of such delay, the date of delivery or performance shall be extended for a period equal to the time lost by reason of the delay.

**PRICE** - PRICES in any ALTECH publication are subject to change without prior notification. Catalog prices are based on prices published in the current price list. All written quotations are valid for thirty (30) days from the date of quotation. Customer shall pay all sales, use, excise or similar taxes whenever ALTECH must itself pay and/or collect such tax from Customer arising out of the sale.

**PAYMENT** - Customer agrees to make payment within thirty (30) days of date of the invoice from ALTECH. Customer agrees to pay a late payment charge of one and one-half percent (1.5% per month, or the maximum late payment charge permitted by applicable law, whichever is less, on any unpaid amount for each calendar month (or fraction thereof) that such payment is in default. Orders amounting to less than \$100.00 will be billed at \$100.00 plus freight. Full carton purchases are required. In the event of referral to an attorney for collection, reasonable attorney's fees for collection of the overdue amount shall be paid by Customer. In the event payment is not received within 30 days from the date of invoice, any discount shall be cancelled and the full list price will be due.

**LIMITED WARRANTY** - ALTECH warrants to Customer that the equipment purchases shall be free from defects in material and workmanship under normal use and service for a period of one year from shipment.

Written notice as an explanation of the circumstances of any claim that the equipment has proved defective in material or workmanship shall be given promptly by the Customer to ALTECH.

ALTECH will not be liable for any misuse, improper operations, improper installation, improper maintenance, alteration, modification, accident or unusual degradation of the equipment or parts due to an unsuitable installation environment.

No representation of other affirmation of facts, including but not limited to statements regarding capacity, suitability for use or performance of the equipment, shall be or be deemed to be a warranty or representation by ALTECH for any purpose, nor give rise to any liability or obligation of ALTECH whatsoever.

Customer's sole and exclusive remedy in the event of breach of warranty, as set forth herein, is expressly limited to (1) the correction of the defect by adjustment, repair, modification, or replacement, or (2) issuance of a credit or refund of the purchase price for the defective equipment at ALTECH's election and sole expense.

EXCEPT AS SPECIFICALLY PROVIDED IN THIS AGREEMENT, THERE ARE NO OTHER WARRANTIES EXPRESSED OR IMPLIED INCLUDING BUT NOT LIMITED TO ANY IMPLIED WARRANTIES OR MERCHANTABILITY OR FITNESS FOR A PARTICULAR PURPOSE.

THIS WARRANTY EXTENDS ONLY TO THE CUSTOMER FROM ALTECH OR ITS AUTHORIZED DISTRIBUTOR.

**LIMITATION OF LIABILITY** - IN NO EVENT, SHALL ALTECH BE LIABLE FOR LOSS OF PROFITS, INDIRECT, SPECIAL, CONSEQUENTIAL OR OTHER SIMILAR DAMAGES ARISING OUT OF ANY BREACH OF THIS AGREEMENT OR OBLIGATIONS UNDER THE AGREEMENT.

ALTECH SHALL NOT BE LIABLE FOR ANY DAMAGES CAUSED BY DELAY IN SHIPMENT, INSTALLATION OR FURNISHING OF EQUIPMENT OR SERVICES UNDER THIS AGREEMENT.

No action arising out of any claimed breach of this Agreement may be brought by either party more than two (2) years after the cause of action has accrued.

**PATENT INDEMNITY** - ALTECH shall defend or settle any suit or proceeding brought against Customer based on a claim that any equipment made to ALTECH design and furnished hereunder constitutes an infringement of any existing United States patent, provided (ALTECH) is notified promptly in writing and is given complete authorization and information required for the defense, and ALTECH shall pay all damages and costs awarded against Customer, but shall not be responsible for any costs, expense or compromise incurred or made by Customer without ALTECH's prior written consent. If any equipment is in ALTECH's opinion likely to or does become the subject of a claim for patent infringement, ALTECH may at its option and expense procure for Customer the right to continue using the device, modify it to become non-infringing, but in the event ALTECH is not reasonably able to modify, substitute, or otherwise procure for Customer the right to continue using it, ALTECH will remove such equipment and refund to Customer the amount paid in excess of a reasonable rental for past use.

ALTECH shall not be liable for any infringement or claim based upon use of the equipment in combination with other equipment not supplied by ALTECH or with modifications made by Customer.

The foregoing states the entire liability of ALTECH to Customer arising from patent infringement.

**SELLER'S REMEDIES** - Should Customer fail to make any payment within ten (10) days of its due date, or fail to perform any other of the Customer's obligation hereunder upon thirty (30) days written notice, or should Customer be or become insolvent or be a party to any bankruptcy receivership proceeding prior to full payment of all amounts payable hereunder, ALTECH may: (a) with or without demand or notice to customer declare the entire amount unpaid immediately due and payable; (b) enter upon the premises where the equipment may be found and remove it (Customer shall assemble the equipment and make it available to ALTECH at a place reasonably convenient to both parties and shall permit and assist ALTECH in effecting the retaking and removal of the equipment); and (c) sell any or all the equipment as permitted under applicable law, applying the proceeds of the sale to payment of the expenses of retaking, repairing and selling the equipment, reasonable attorney fees and to the satisfaction of all indebtedness then due and unpaid under this Agreement. Any surplus shall be paid to Customer and any deficiency shall be paid to ALTECH by Customer.

The remedies provided herein shall be cumulative and in addition to all other remedies provided by law or equity or under the Uniform Commercial Code.

**GOVERNING LAW** - This agreement will be governed by the Laws of the State of New Jersey.

**GENERAL** - This Agreement shall only become effective and binding when either (a) it has been accepted and executed by an authorized representative of ALTECH, or (b) the equipment has been shipped to Customer, with or without acceptance in writing hereon. Notice of acceptance is hereby waived by Customer. Customer hereby acknowledges receipt of a true and complete copy hereof.

No addition to or modification of any of the Terms and Conditions of Sale as they appear herein shall be binding upon ALTECH unless signed in writing by duly authorized representative of ALTECH in Flemington, N.J.

Typographical and clerical errors in quotations, orders and acknowledgments are subject to correction.

This Agreement is not assignable without the prior written consent of ALTECH. Any attempt to assign any of the rights, duties or obligations of this Agreement without such consent is void.

If any provision or provisions of this Agreement shall be held to be invalid, illegal or unenforceable, the validity, legality and enforceability, of the remaining provisions shall not in any way be affected or impaired thereby.

ALTECH is not responsible for failure to fulfill its obligation under this Agreement due to causes beyond its control, or except as agreed herein.

THE CUSTOMER ACKNOWLEDGES THAT HE HAS READ THE AGREEMENT, UNDERSTANDS IT, AND AGREES TO BE BOUND BY ITS TERMS AND CONDITIONS. FURTHERMORE, THE CUSTOMER AGREES THAT IT IS THE COMPLETE AND EXCLUSIVE STATEMENT OF THE AGREEMENT BETWEEN THE PARTIES, WHICH SUPERSEDES ALL PROPOSALS OR PRIOR AGREEMENTS, ORAL OR WRITTEN, EXPRESSED OR IMPLIED, AND ALL OTHER COMMUNICATIONS BETWEEN THE PARTIES RELATING TO THE SUBJECT MATTER OF THIS AGREEMENT.

## Circuit Protection Devices



Altech the market leader in UL508 Manual Motor Controllers/ Miniature Circuit Breakers now introduces UL489 Miniature Circuit Breakers and UL1077 Supplementary Protectors. The UL489 versions are DIN rail mounted, 17.5mm wide, thermal magnetic, 240V, 480Y/277V AC, 50/60Hz, 125 and 250 VDC models, with short circuit interrupt capacity of 10kA, a positive trip indicator, and are line/load reversible. The UL1077 versions are DIN rail mounted, 17.5mm wide, thermal magnetic, 480Y/277V AC, 50/60Hz, a short circuit withstand capacity 10kA, have a positive trip indicator.

**Altech Corp.®**  
35 Royal Rd., Flemington, NJ 08822  
908-806-9400  
FAX 908-806-9490  
[www.altechcorp.com](http://www.altechcorp.com)

## Interface Modules and Industrial Relays



Altech offers a wide range of DIN Rail or panel mount cable interface modules, relay interface modules, power supplies, carrier modules, and custom designed modules. Cable to connector models include: D-Sub connectors, ribbon cable connectors, and Dip socket connectors to terminals. Standard relay modules from 1 to 16 channels, and safety relay modules from 1 to 16 channels and up to 10 poles are included. The catalog also contains a large selection of industrial relays, and custom designed interface modules.

**Altech Corp.®**  
35 Royal Rd., Flemington, NJ 08822  
908-806-9400  
FAX 908-806-9490  
[www.altechcorp.com](http://www.altechcorp.com)

## Contactors and More!



Altech's now carries contactors, mini contactors, definite purpose contactors & overload relays. The contactors come in 3 and 4 pole configurations at 9A to 800A. Available in Single Phase (115 - 230V) and Three Phase (200 - 575V) AC and DC models. A large variety of coil voltages are supported and the accessories are auxiliary contacts and overload relays. The mini contactors come in screw clamp, fast-on, cage clamp and solder pin types.

**Altech Corp.®**  
35 Royal Rd., Flemington, NJ 08822  
908-806-9400  
[www.altechcorp.com](http://www.altechcorp.com)

## Terminal Blocks



Altech offers a NEW Terminal Block catalog with the most competitively priced blocks in the industry. We feature screw and spring clamp models for DIN rail and panel mount applications. This advanced line of wire termination products will increase your design options and help to get the job done more efficiently. Our line of blocks include feed-through (single, double or triple level), distribution, ground, fuse, disconnect, thermocouple, surge suppressor and indicator. A wide variety of accessories, tools and ferrules are available.

**Altech Corp.®**  
35 Royal Rd., Flemington, NJ 08822  
908-806-9400  
[www.altechcorp.com](http://www.altechcorp.com)

## Safety Relays



Altech has the broadest line of safety relays that meet the New ASME A17.1-2000 specification. Our Safety Relay catalog and flyer outlines a complete selection of the safety relays featuring forced-guided contacts, a mandatory requirement of the European Machinery Directive EMD 89/392 EEC, which makes them indispensable when designing safety circuits for the international market. Our relays are approved for use in safety applications such as Emergency Stop, Two Hand Safety, Safety Gate, or as specified in IEC 204, EN 60204, and DIN/VDE 0113.

**Altech Corp.®**  
35 Royal Rd., Flemington, NJ 08822  
908-806-9400  
[www.altechcorp.com](http://www.altechcorp.com)

## Liquid Tight Strain Reliefs



This 64-page catalog introduces Altech's full line Liquid Tight Strain Reliefs (Cord Grips) which are used to seal cable entries, keep contaminant's from entering enclosures, provide strain relief and thus reduce stress on components and termination points inside enclosures. Available in standard, high-performance, and economy versions, functions include Straight-Through, Increased Strain Relief, Bend Protection, Pull/Bend Protection, Multi-conductor, Flat Cable and EMI/RFI. They can be used with almost any type of cable, cord or conductor - solid, stranded, flat, shielded, high temperature, etc.

**Altech Corp.®**  
35 Royal Rd., Flemington, NJ 08822  
908-806-9400  
[www.altechcorp.com](http://www.altechcorp.com)

## DIN Enclosures



Our NEW catalog features many new models plus our current four distinct DIN Rail mount enclosure families with a multitude of sizes and features. Internationally accepted, these enclosures are offered complete with up to 144 ready-to-wire terminals, integral PC Board guides and a selection of terminal-to-board connection options. They can be customized with imprints, markings, cutouts, etc. and snap onto standard 35mm DIN Rails or can be panel mounted. The catalog is complete with technical drawings to assist you in your designs.

**Altech Corp.®**  
35 Royal Rd., Flemington, NJ 08822  
908-806-9400  
[www.altechcorp.com](http://www.altechcorp.com)

## Motor Disconnect Switches



Altech's line of Motor Disconnect Switches are UL 508 listed as Manual Motor Controllers for AC Motor Starting Across-the-line and AC General use. This new 16 page catalog includes the 3 different handle designs, which are all available in gray/black or yellow/red housings. Electrical ratings are 25-150A / 600V. The switches are non-fused DIN Rail mountable. Neat features include: snap-on auxiliary switches, door mounting kit and a retrofit 30A fuse holder. Also featured are Enclosed Motor Disconnect Switches & Fused Enclosed Motor Disconnect Switch (30A) in plastic or stainless housings.

**Altech Corp.®**  
35 Royal Rd., Flemington, NJ 08822  
908-806-9400  
[www.altechcorp.com](http://www.altechcorp.com)



### Altech Search

Google™



- Home
- Stock Check
- Distributors
- Information
- News
- Contact
- Rep/Dist Login
- Altech Mexico



### WEB TOOLS

- Product Crossings
- Request for Quote
- Sample Request
- Catalog Request

### eBook Catalog

### PRODUCT MENU

- Accessories
- Bernstein Line
- Circuit Protection / Control
- Connectors
- Enclosures
- European Spare Parts
- Digital Panel Meters
- Foot Switches
- Interface Modules
- Panel Accessories
- Power Supplies
- Power Semi-Conductors
- Programmable Controllers
- Push Buttons & Pilot Lights
- Relays
- Sensors
- Terminal Blocks
- Tower Lights
- Timers
- Wire & Cable Management
- Home

### New Products and Promotions

**Serving the Automation & Control Industry  
Since 1984**

#### Circuit Protection

 Circuit Protection Devices	 Busbar and Power Distribution	 Contactors, Overload Relays, Manual Motor Starters	 Motor Disconnect Switches	 European Fuses
--	---	--	---	--

#### Connectors

 Industrial Rectangular Connectors	 Pin & Sleeve Devices	 Receptacles	 Foot Switches	 Sensors
---	--	---	---	---

#### Enclosures

 Industrial Enclosures	 DIN Enclosures	 Interface Modules	 Safety Relays	 Slimline Relays
---	--	---	---	---

#### Modules & Relays

#### Power Supplies

 Power Supplies	 22 & 30 mm Push Buttons	 DIN Rail	 Wire & Cable Management
--	---	--	---

#### Push Buttons

#### DIN Rail

#### Wire & Cable Management

#### Terminal Blocks

 Din Rail Terminal Blocks	 Panel Mount Terminal Blocks	 Printed Circuit Board Terminal Blocks	 Eurostrips®	 Distribution Blocks
--	---	---	---	---

#### Miscellaneous

 Ferrules	 Custom Assembly	 Marking & Engraving Systems	 Altech Smart Relay	 Tower Lights
--	---	---	--	--



Altech Corporation  
35 Royal Road  
Flemington, NJ 08822-6000  
P 908.806.9400 • F 908.806.9490  
www.altechcorp.com  
Altech Corp.© 370-022015-5M  
Printed February 2015

