

Verf.	Datum	Name Einzelname	Werkstoff
	29.11.03		K10/246/246/27/1730
			HASCO

Aufspannplatte AS
0778.0

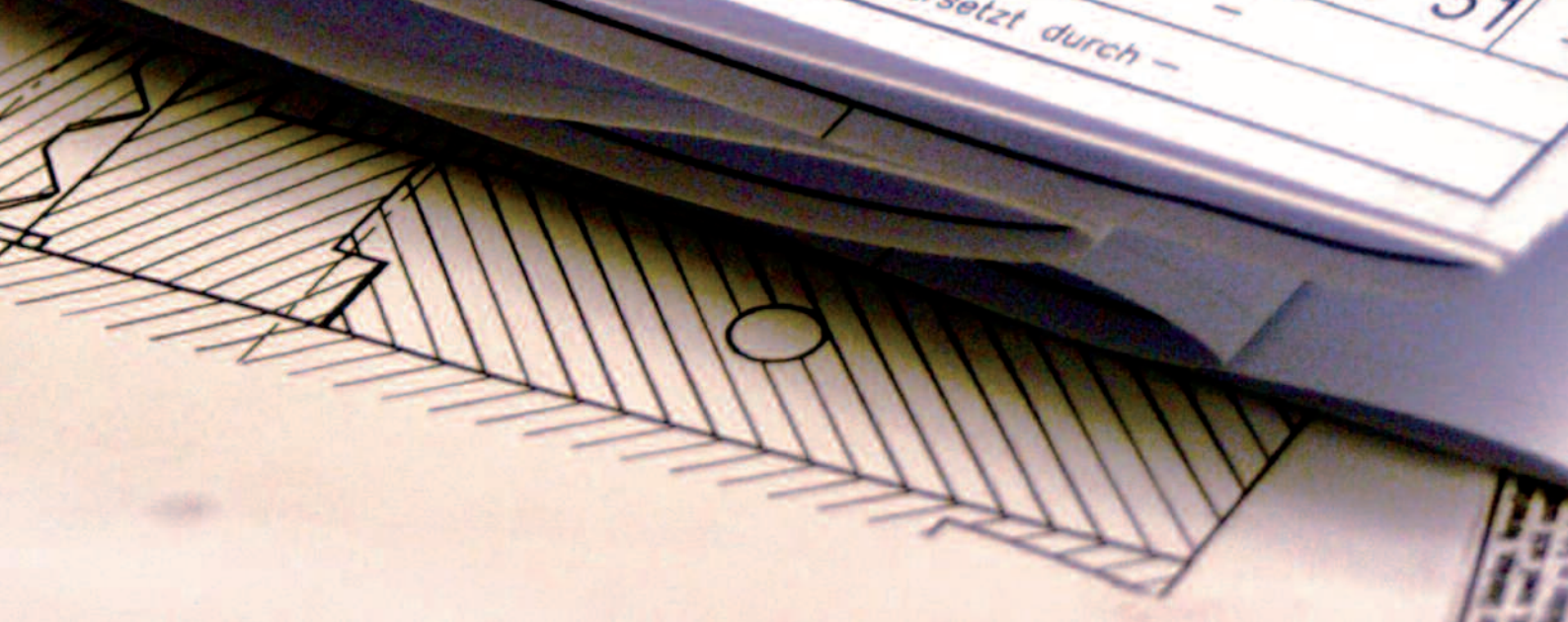
Made ohne Toleranzangabe:
Bohrungskordinaten: ± 0.01
Stiftbohrungskordinaten: ± 0.01



WEFAK
SIGNALTECH

6 800 201 51

Ersatz für -
Ersetzt durch -



Our Technical Diagrams

On the following pages you will find the technical diagrams for our products. The dimensions are always stated in millimetres. Please note that the diagrams are not to scale.

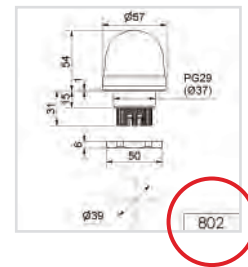
Reference on the product page

In order to be able to find the technical diagrams for your desired product even more quickly, there is a reference on the relevant product page stating the page number for the corresponding diagram located in the "Technical diagrams" section.



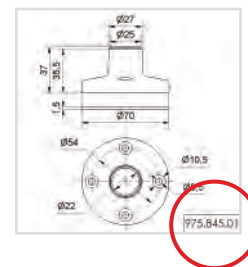
Layout of the technical diagrams

The technical diagrams are in the numerical order of the first three digits of the article number.



Technical diagrams for accessories

The technical diagrams for our extensive accessories are in numerical order of to the full article number (from page 292 onwards).



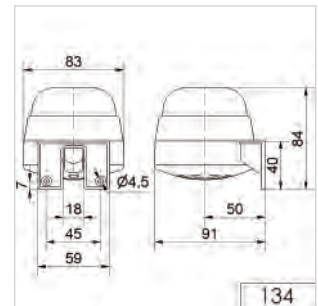
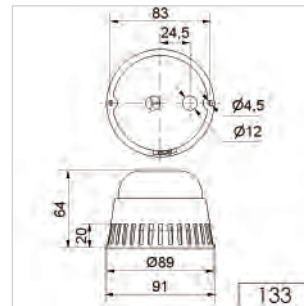
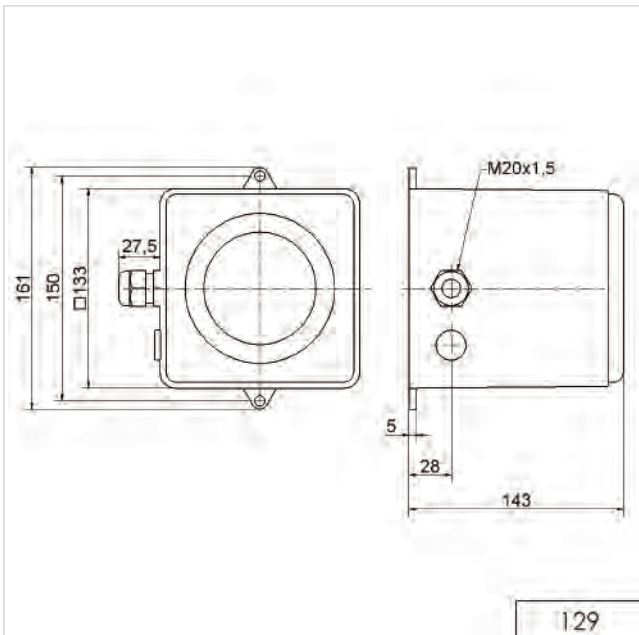
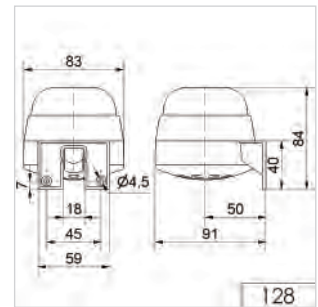
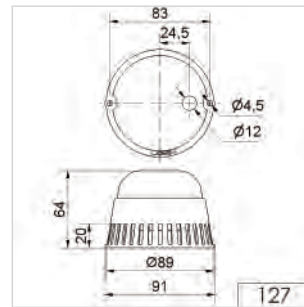
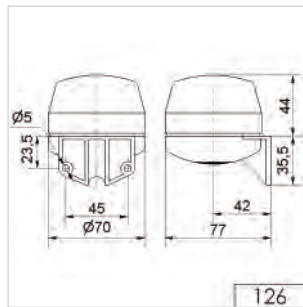
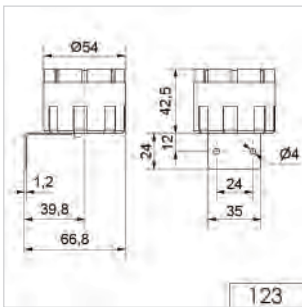
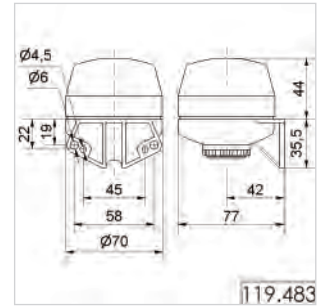
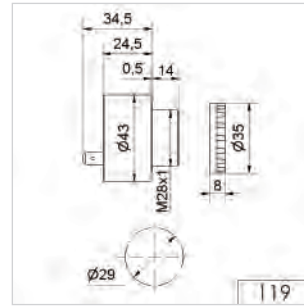
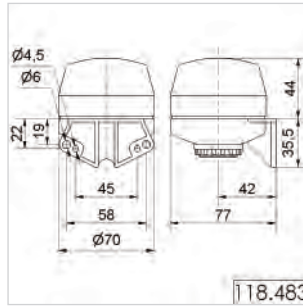
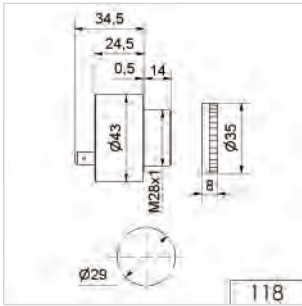
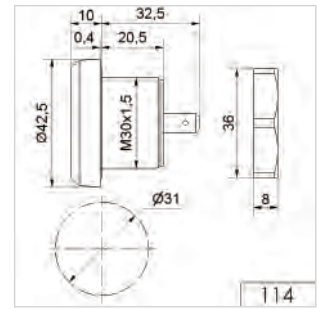
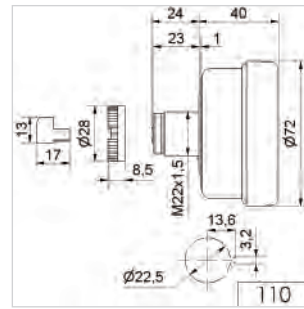
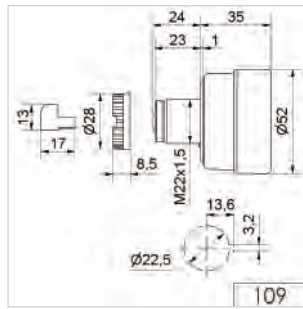
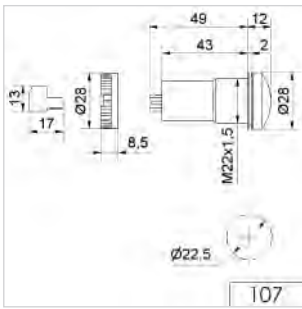
Digital data

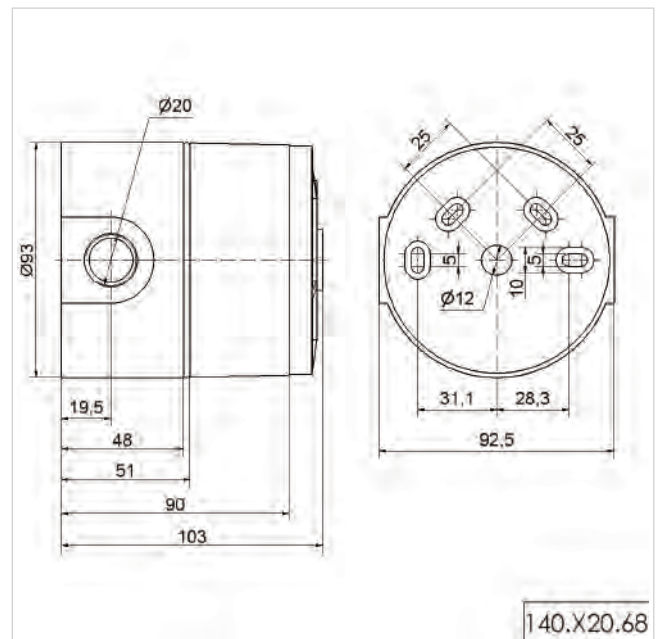
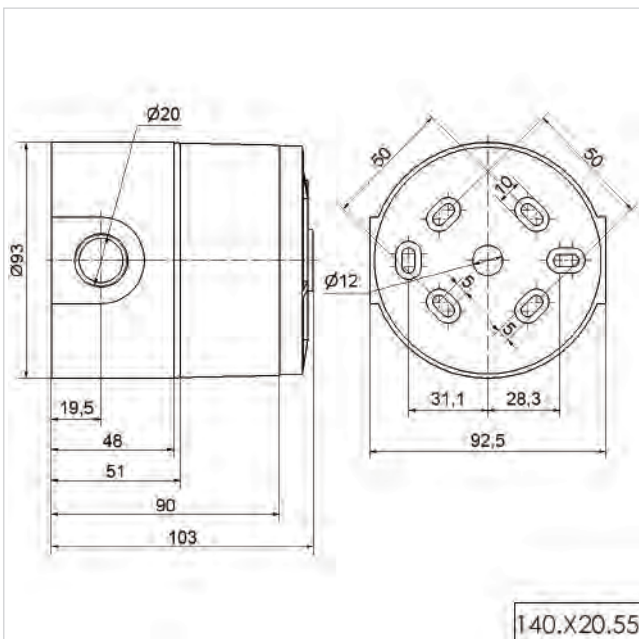
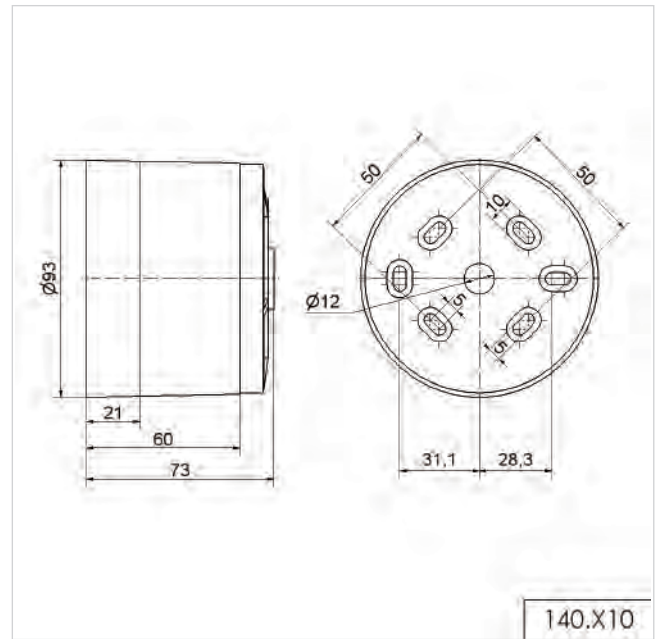
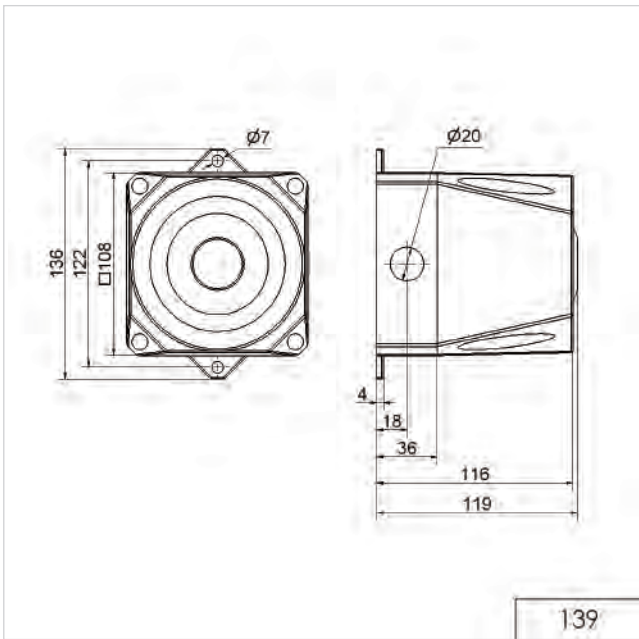
You are welcome to request the technical diagrams in digital form. The relevant 3D models, instruction leaflets and connection diagrams can be obtained from us or downloaded from our homepage at any time.

Simply select the desired product or search for it by article number, then download the file and save it locally for your further use.



Technical Diagrams

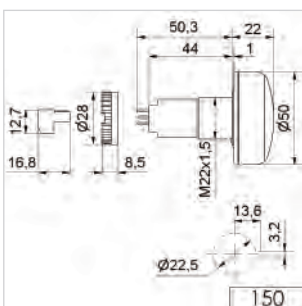
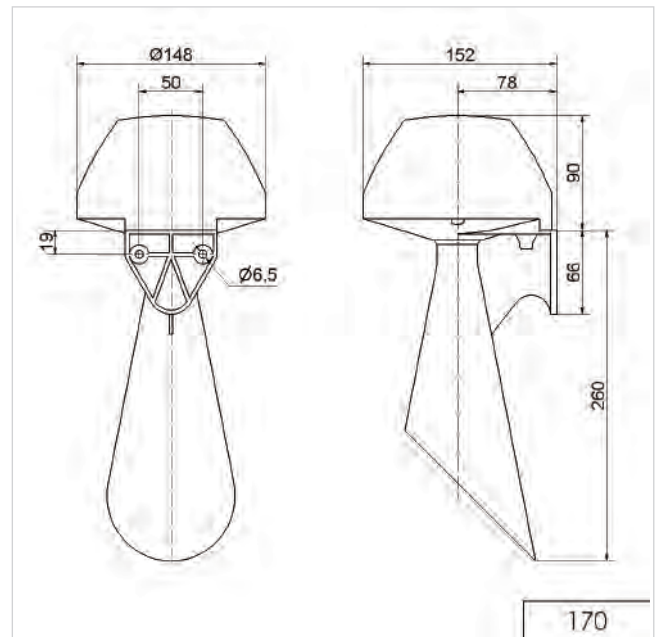
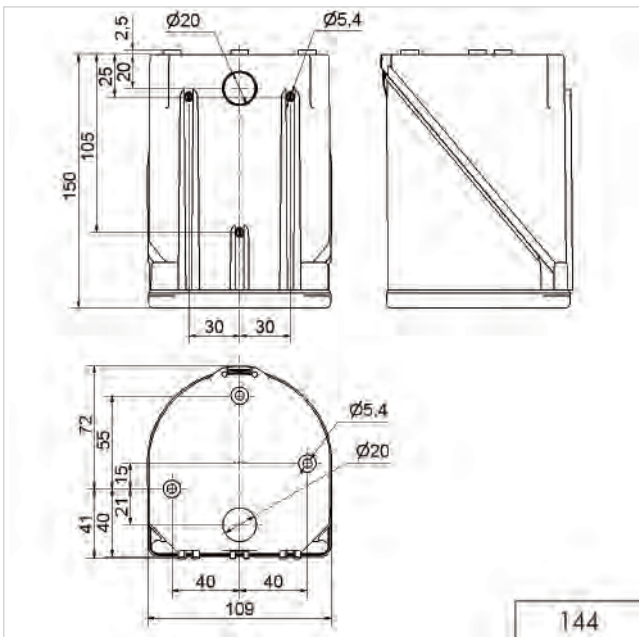
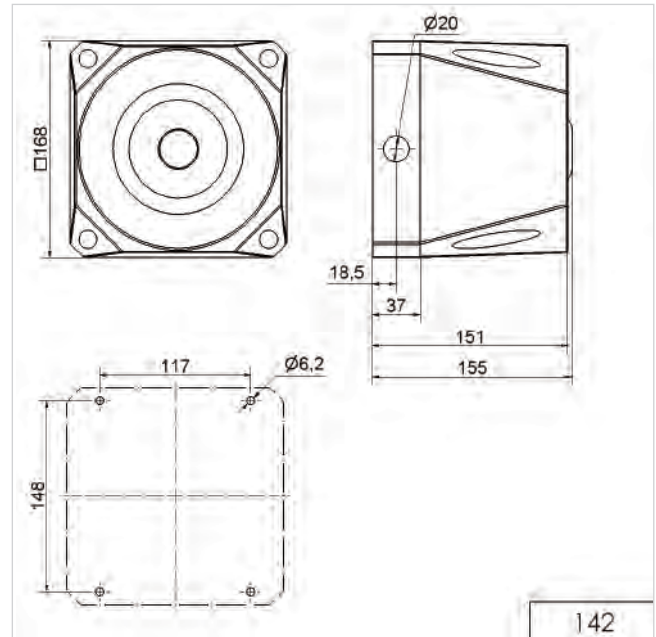
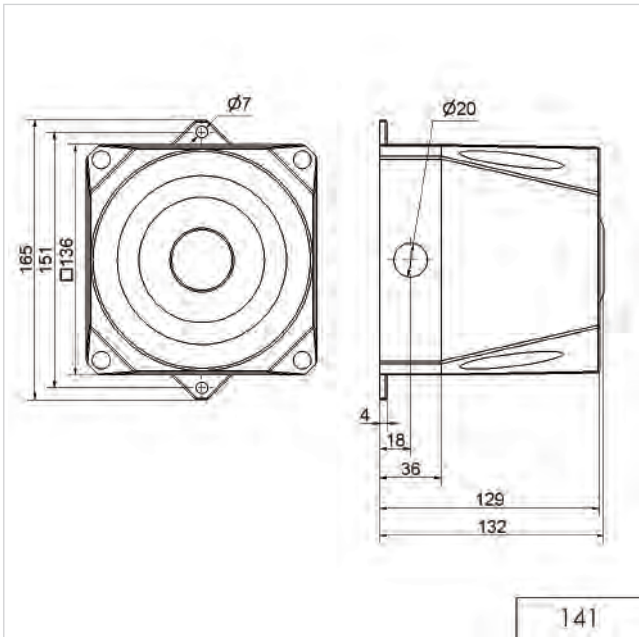




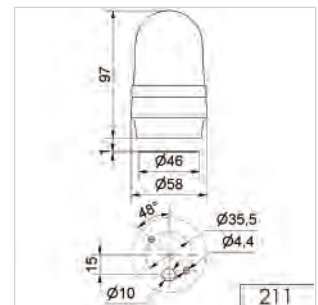
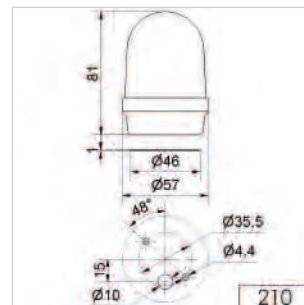
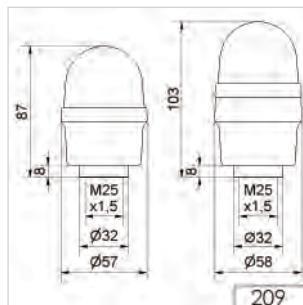
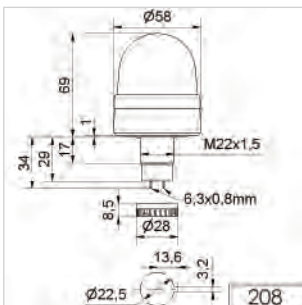
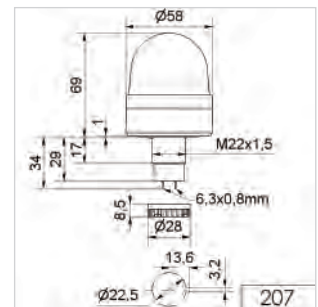
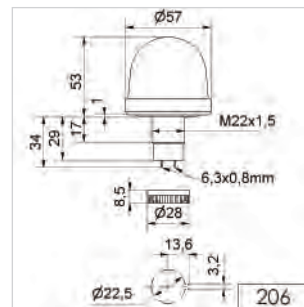
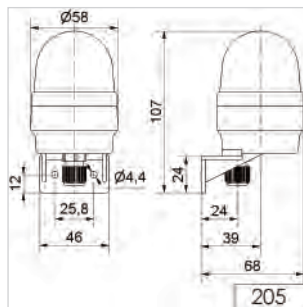
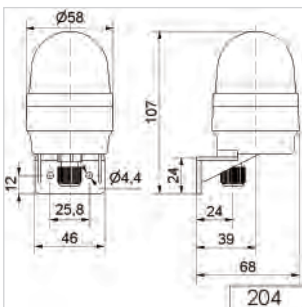
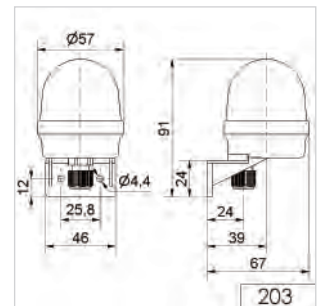
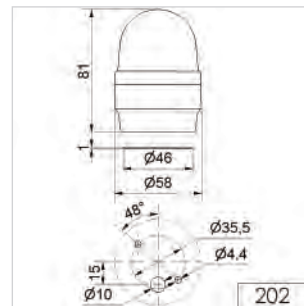
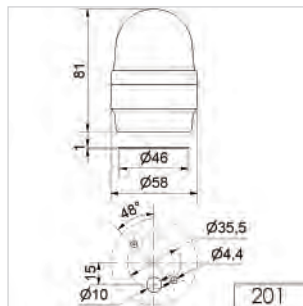
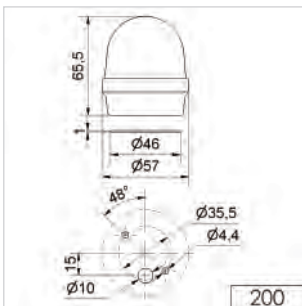
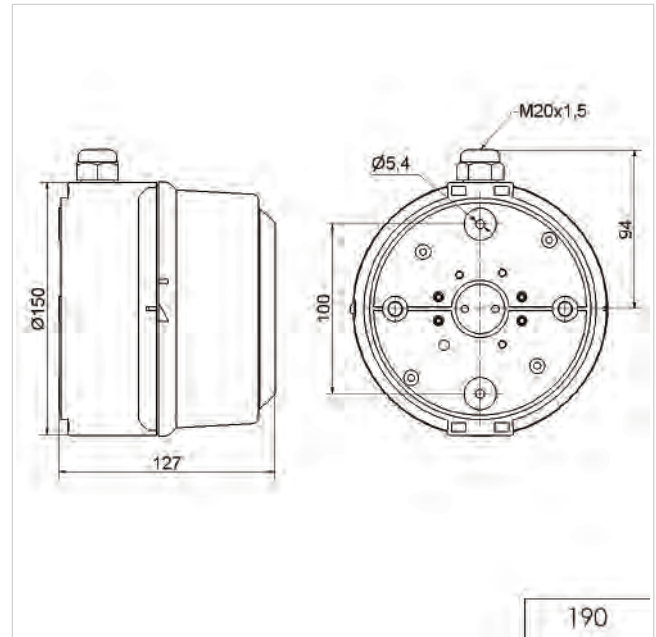
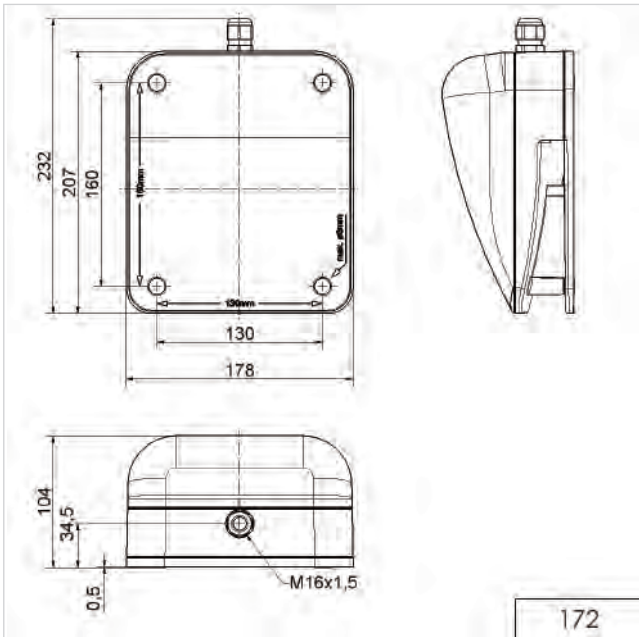
! ADDITIONAL INFORMATION:

You are welcome to request the technical diagrams in digital form. The relevant 3D models, instruction leaflets and connection diagrams can be obtained from us or downloaded from our homepage at any time.

Technical Diagrams



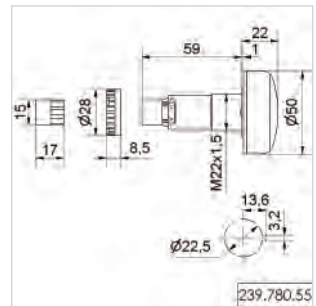
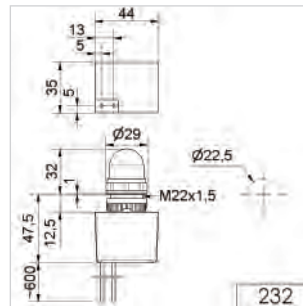
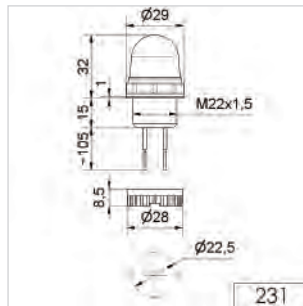
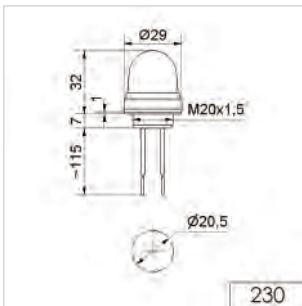
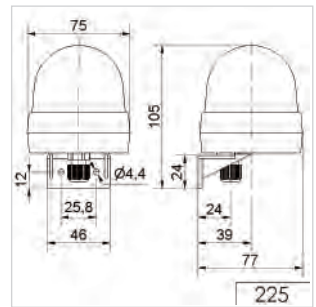
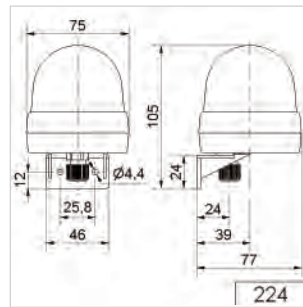
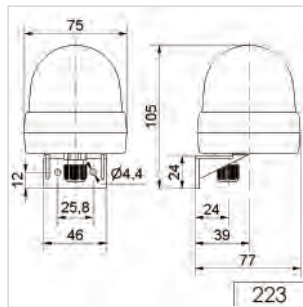
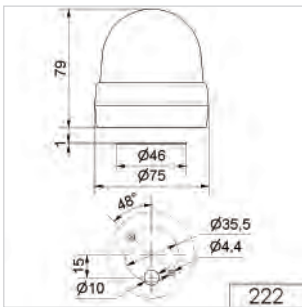
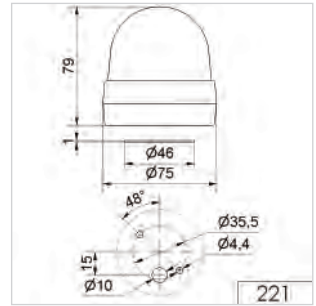
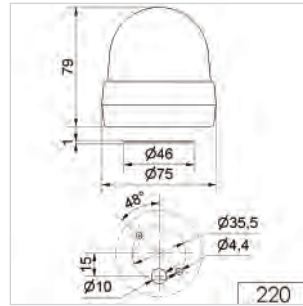
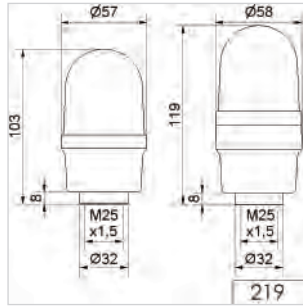
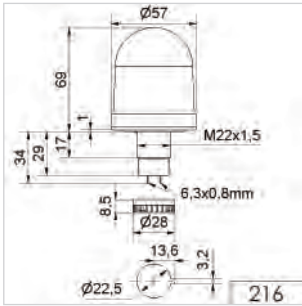
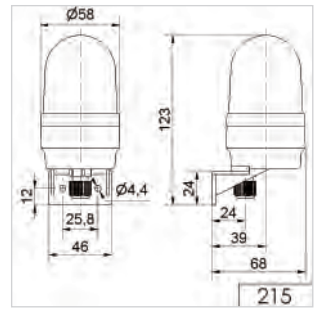
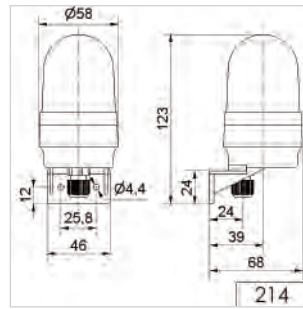
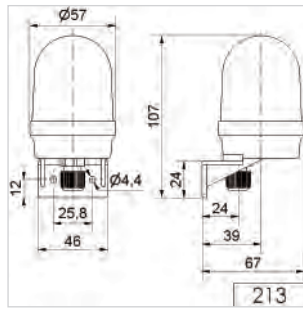
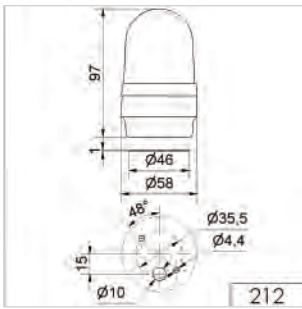
Technical Diagrams

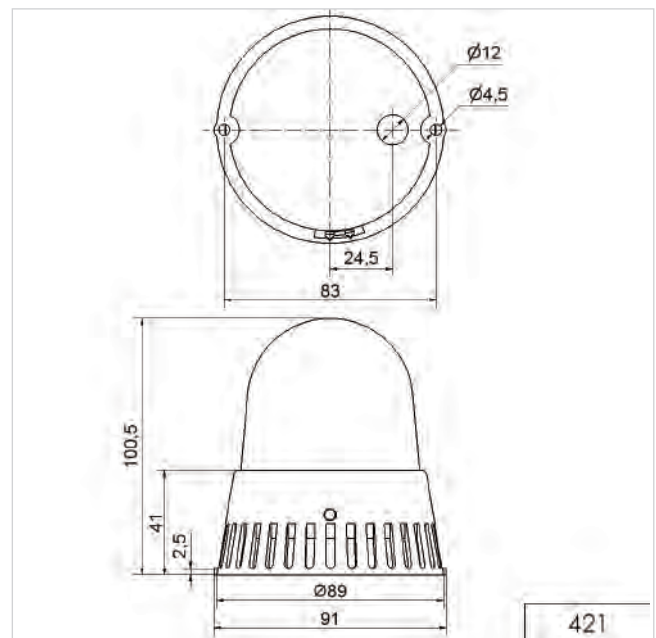
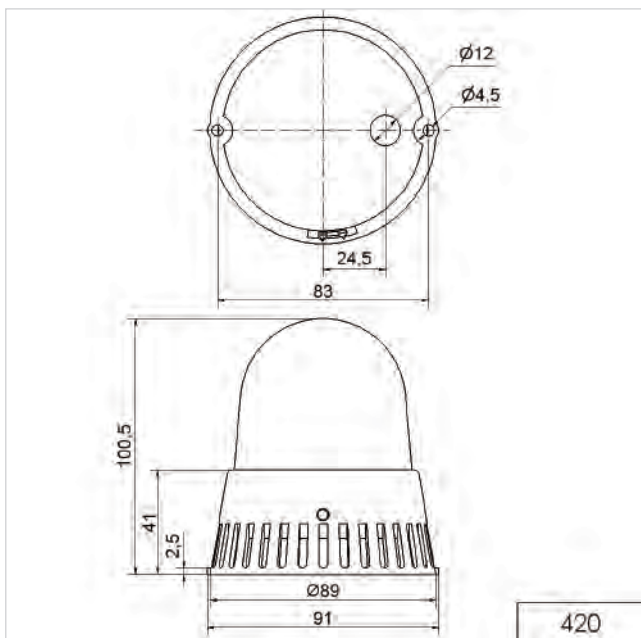
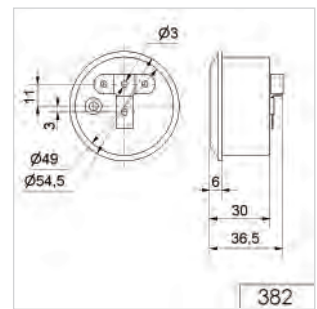
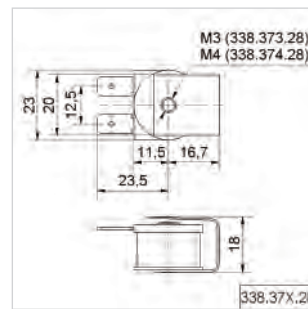
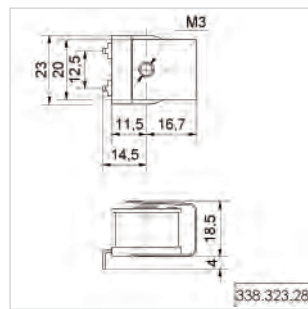
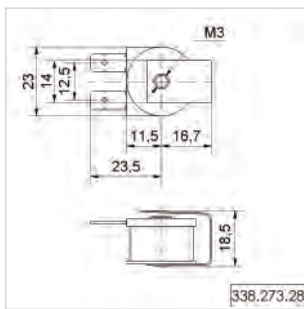
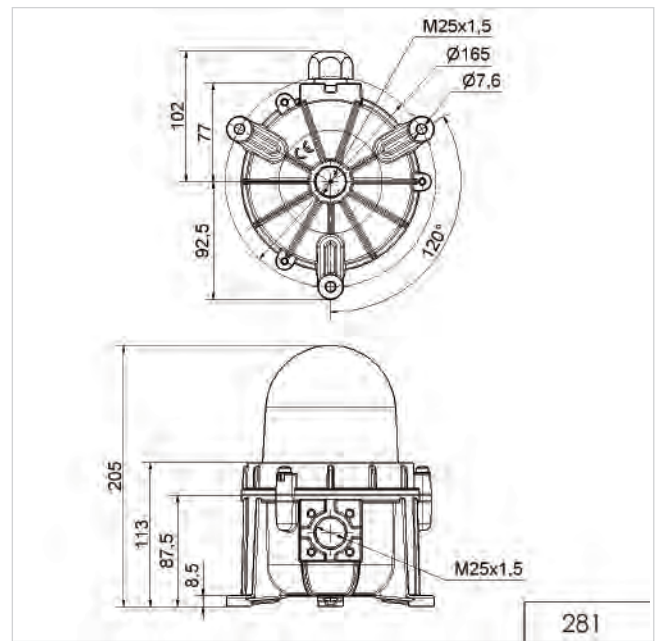
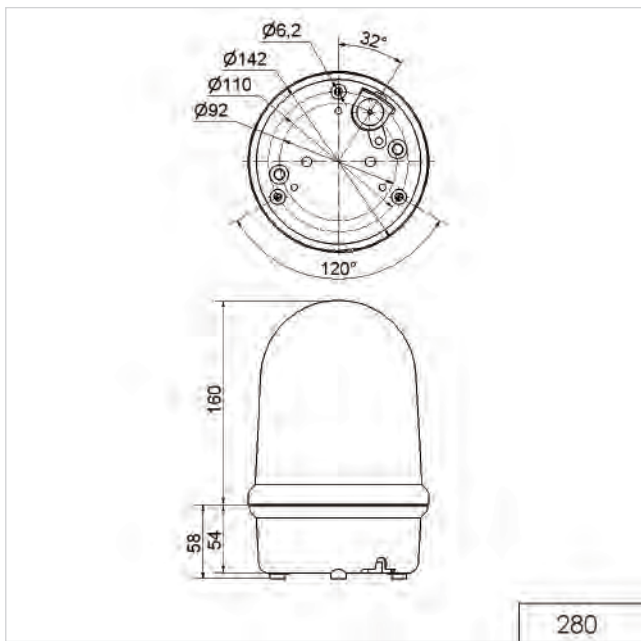


! ADDITIONAL INFORMATION:

You are welcome to request the technical diagrams in digital form. The relevant 3D models, instruction leaflets and connection diagrams can be obtained from us or downloaded from our homepage at any time.

Technical Diagrams

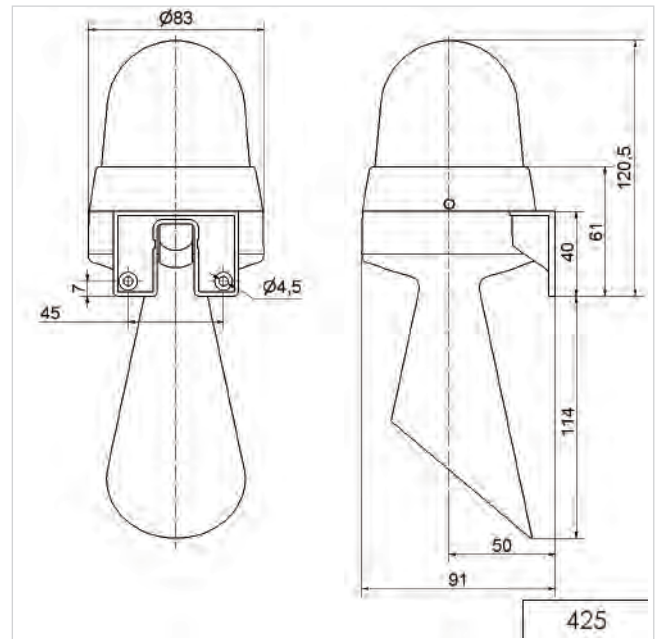
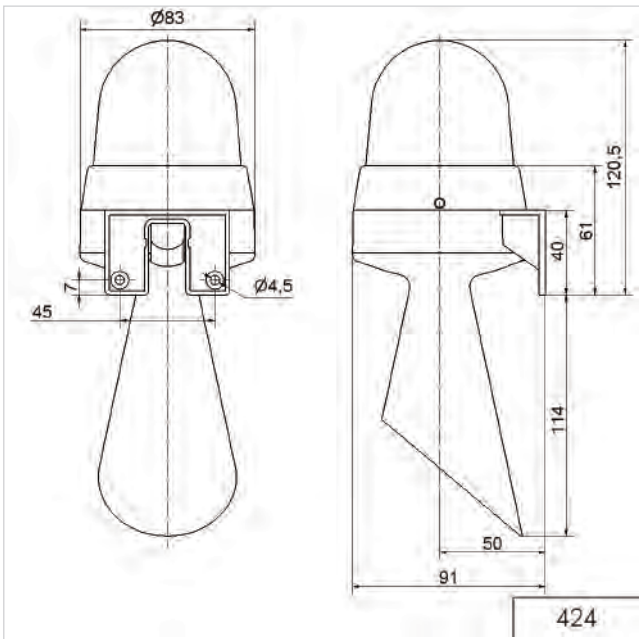
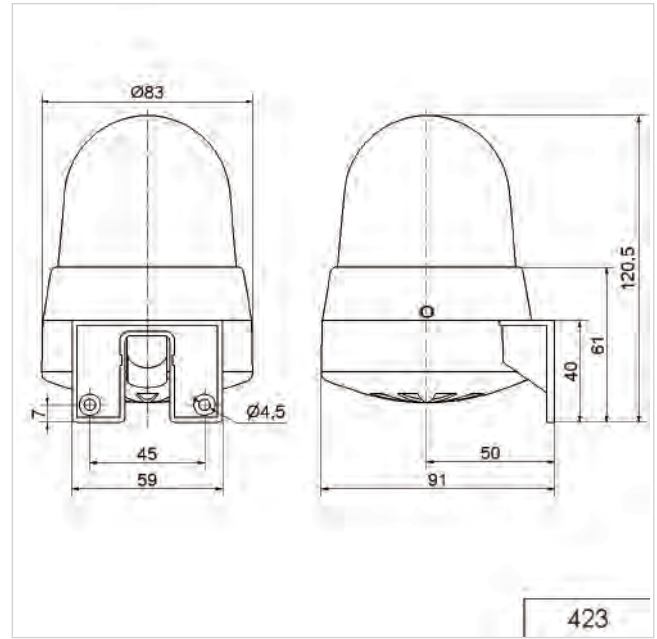
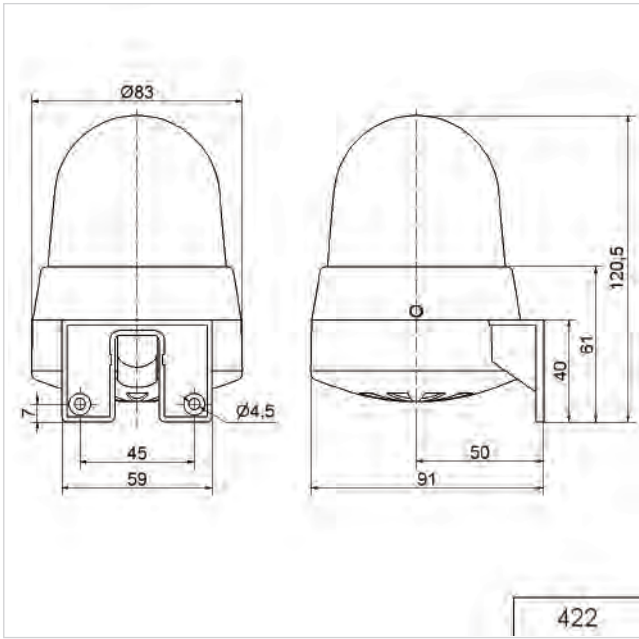


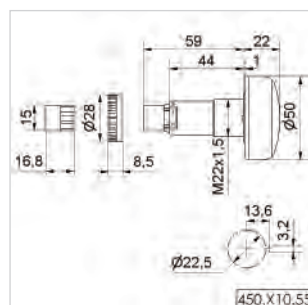
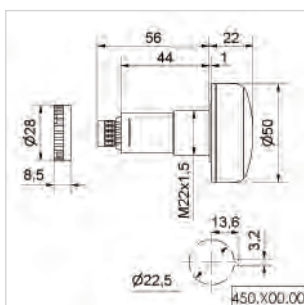
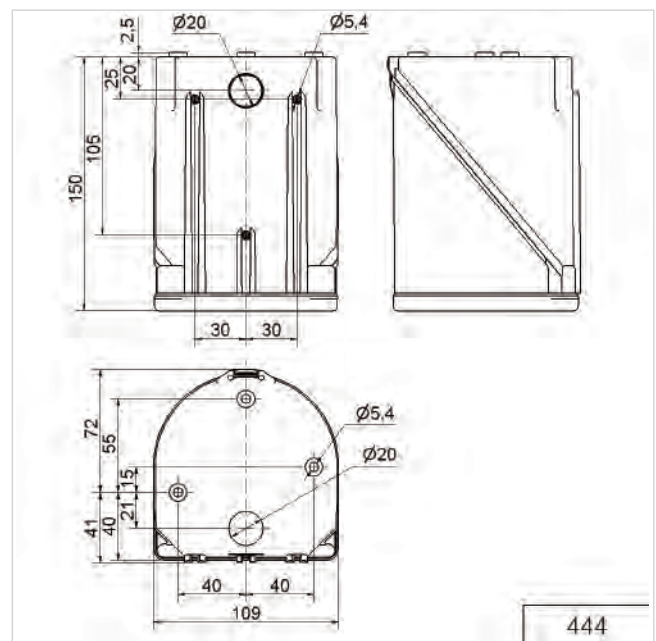
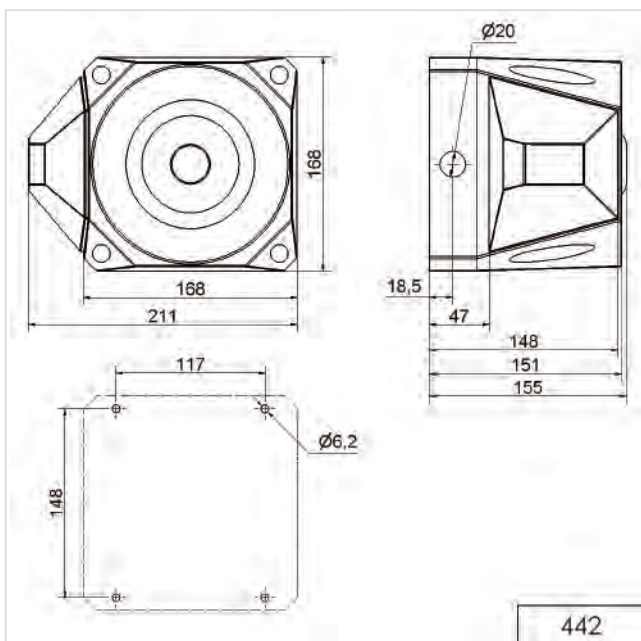
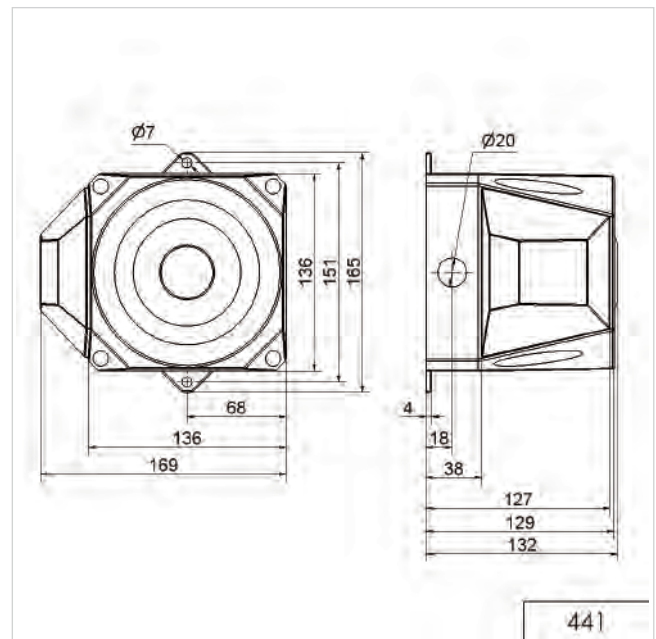
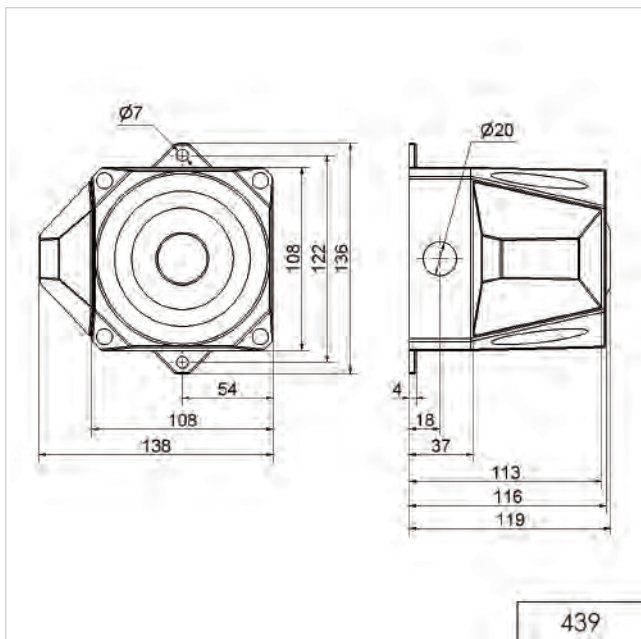


! ADDITIONAL INFORMATION:

You are welcome to request the technical diagrams in digital form. The relevant 3D models, instruction leaflets and connection diagrams can be obtained from us or downloaded from our homepage at any time.

Technical Diagrams

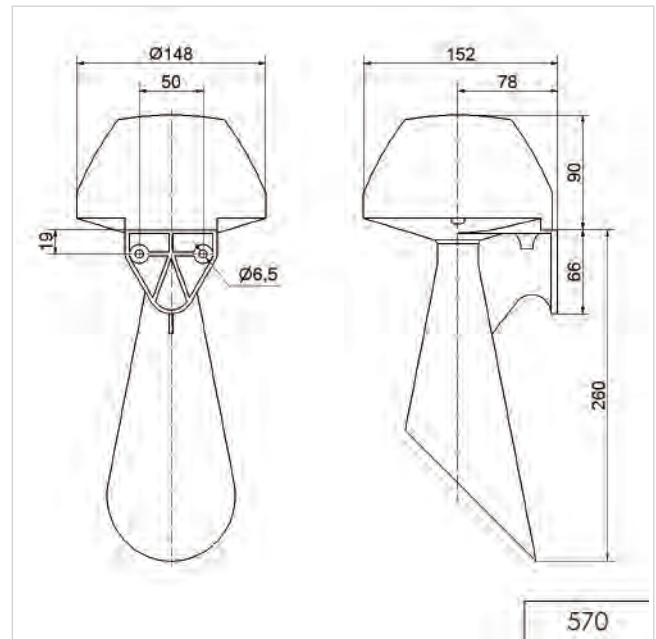
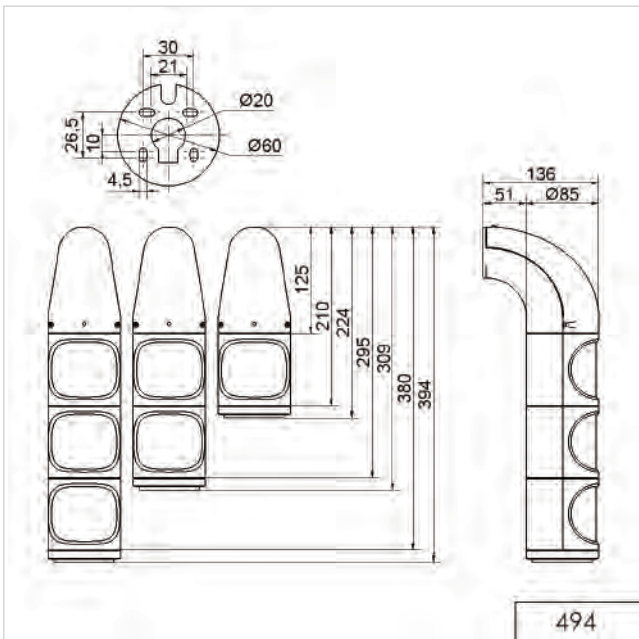
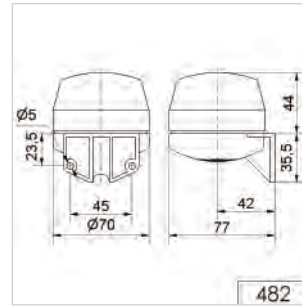
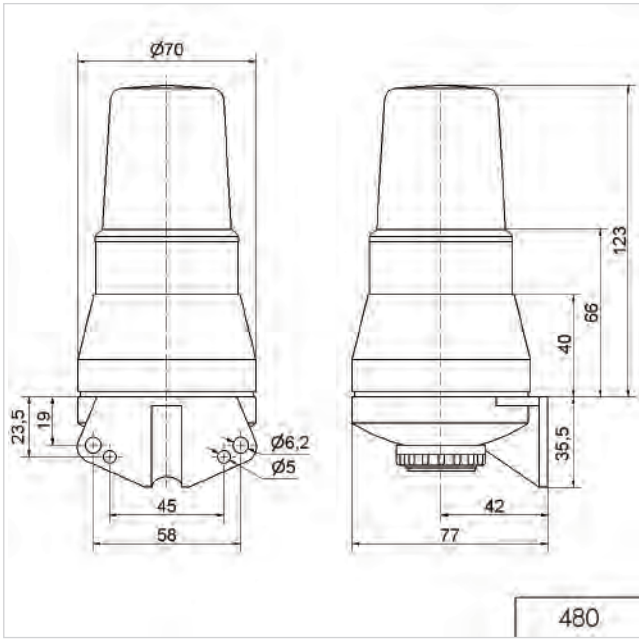


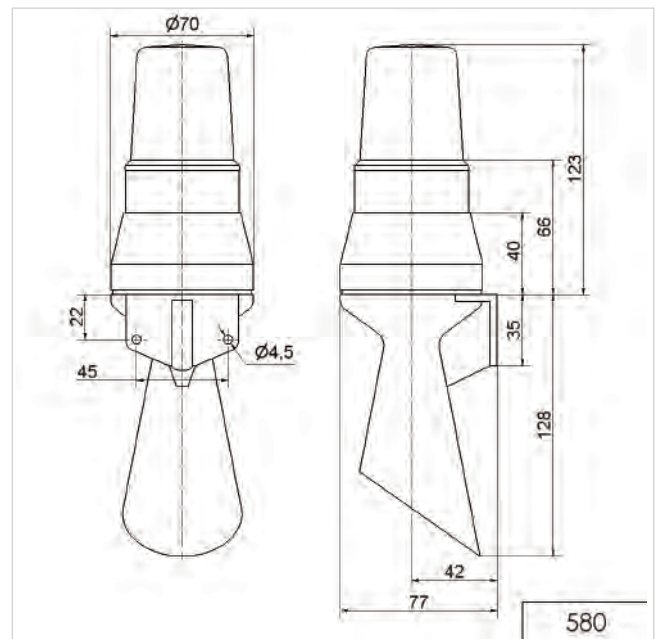
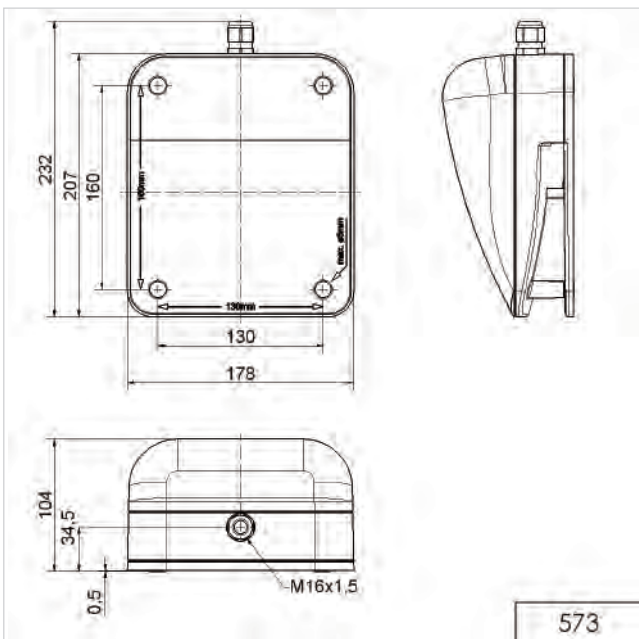
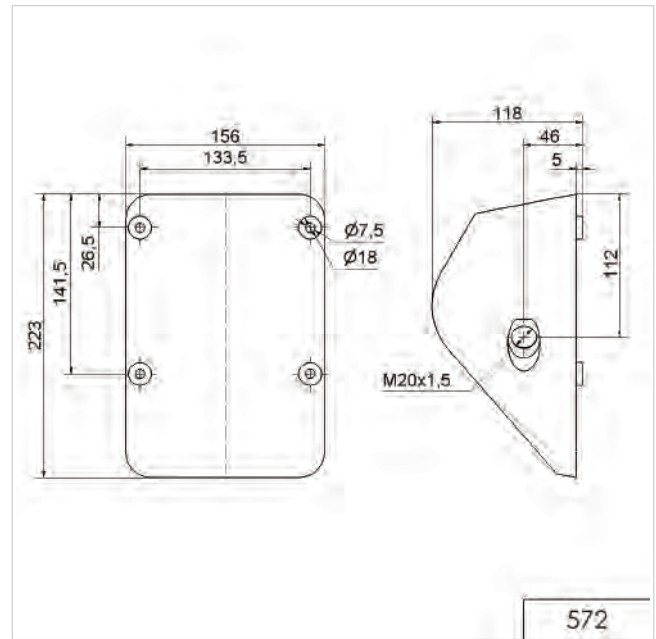
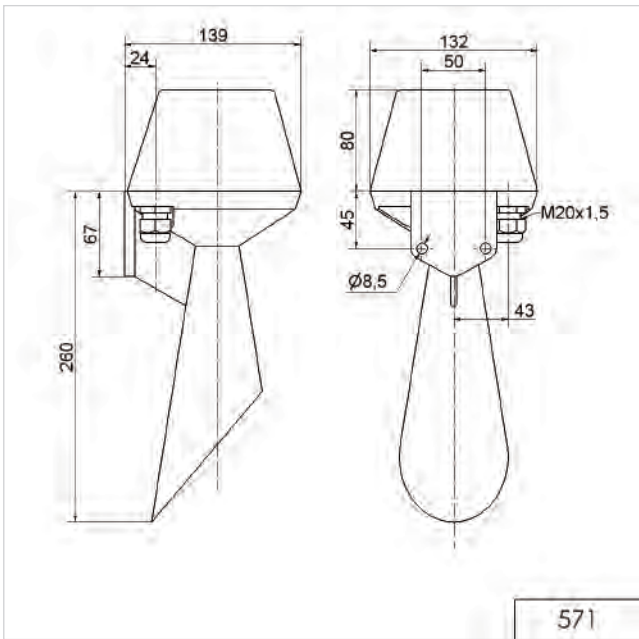


! ADDITIONAL INFORMATION:

You are welcome to request the technical diagrams in digital form. The relevant 3D models, instruction leaflets and connection diagrams can be obtained from us or downloaded from our homepage at any time.

Technical Diagrams

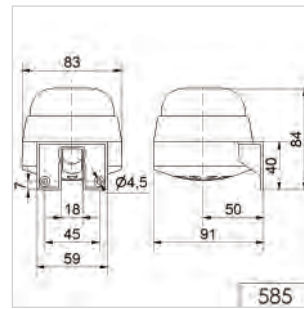
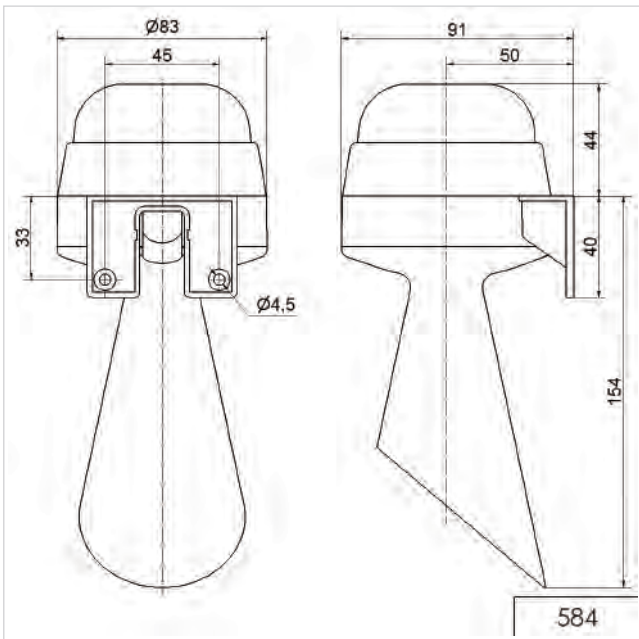
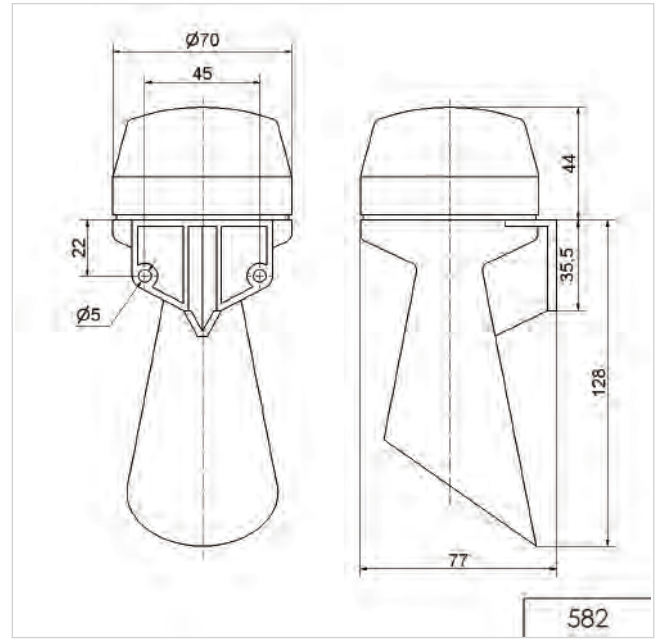
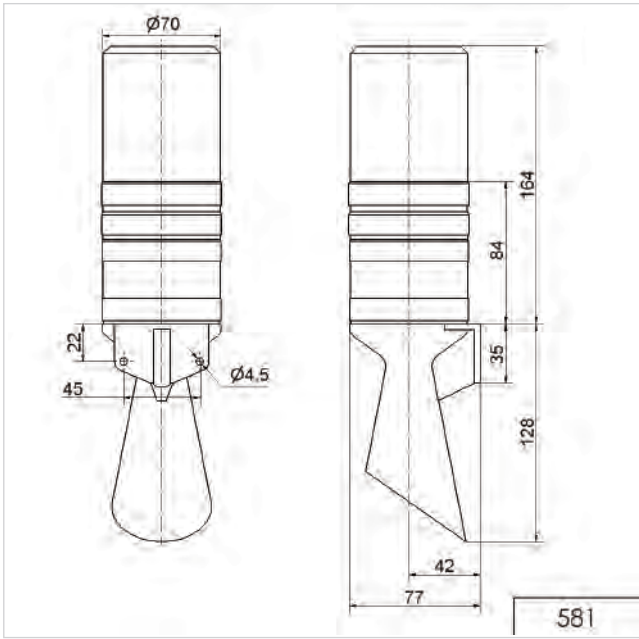


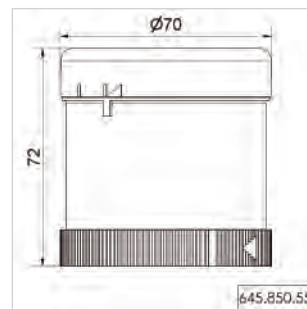
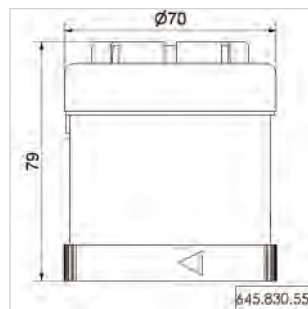
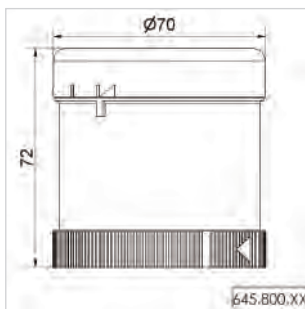
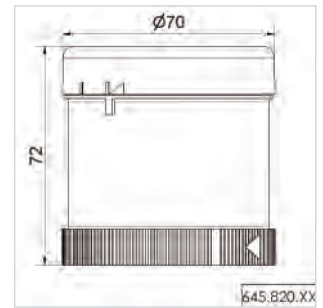
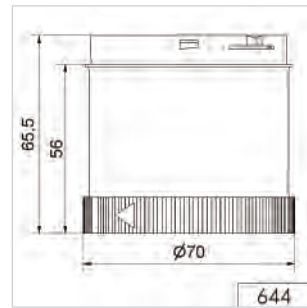
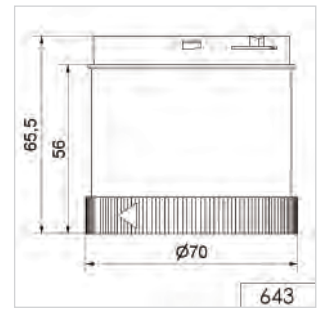
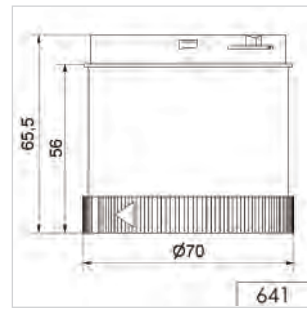
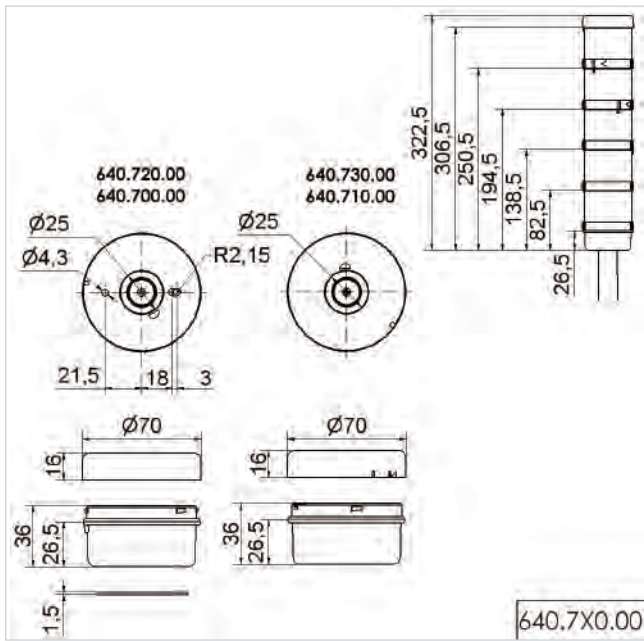
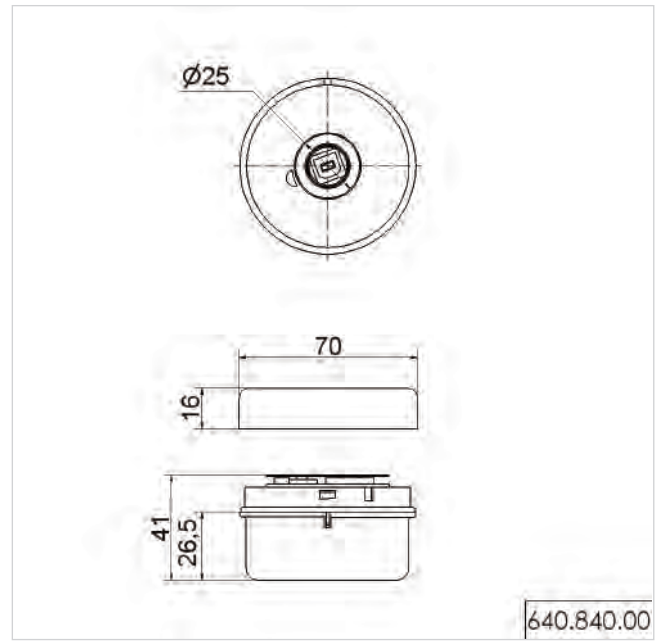
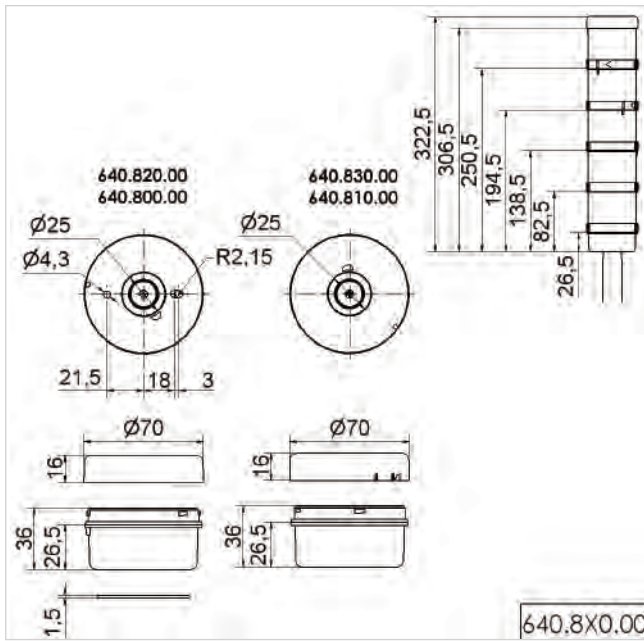


! ADDITIONAL INFORMATION:

You are welcome to request the technical diagrams in digital form. The relevant 3D models, instruction leaflets and connection diagrams can be obtained from us or downloaded from our homepage at any time.

Technical Diagrams

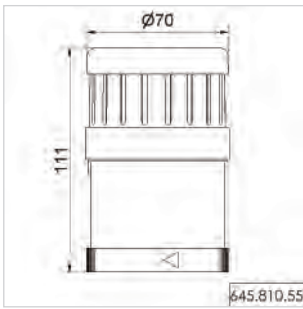




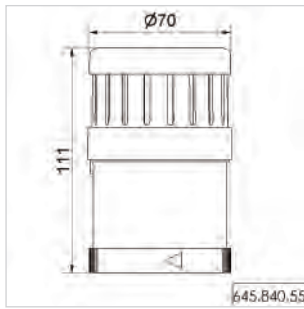
! ADDITIONAL INFORMATION:

You are welcome to request the technical diagrams in digital form. The relevant 3D models, instruction leaflets and connection diagrams can be obtained from us or downloaded from our homepage at any time.

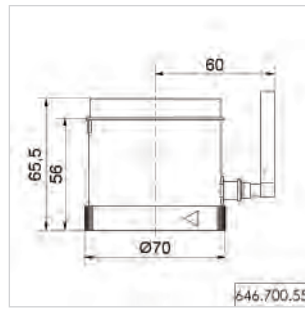
Technical Diagrams



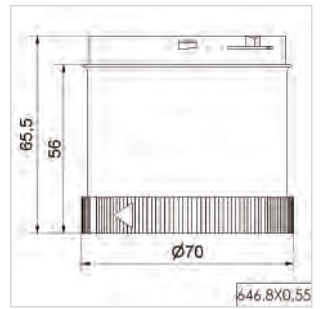
645.810.55



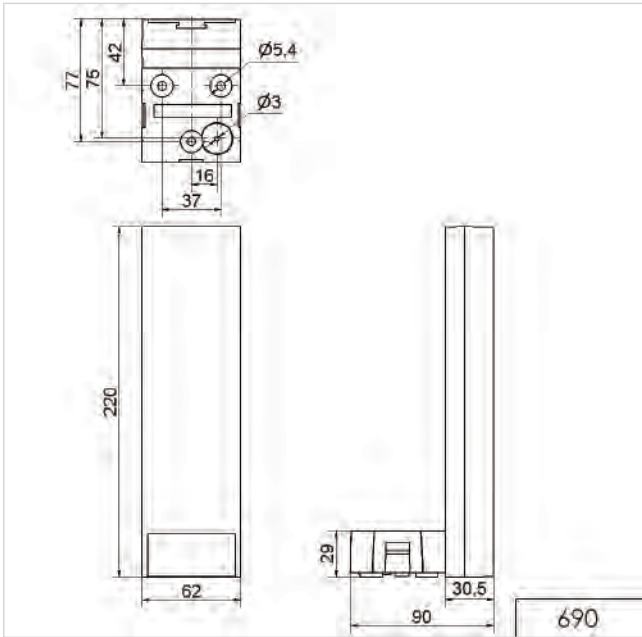
645.840.55



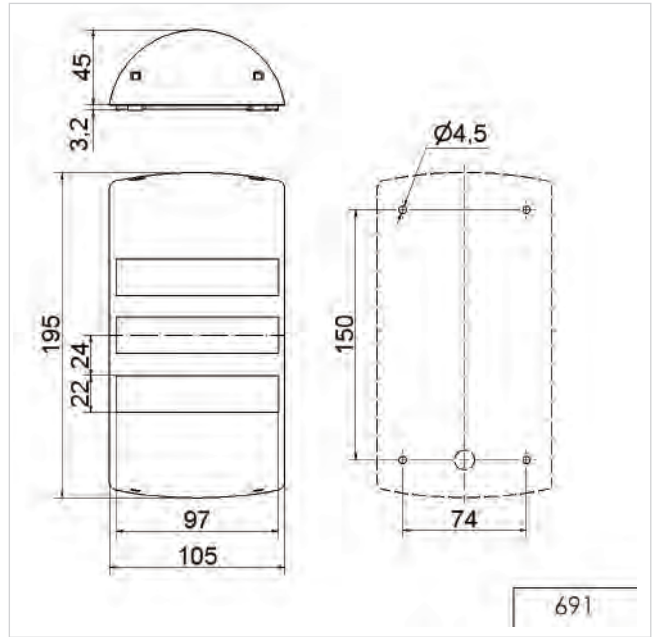
646.700.55



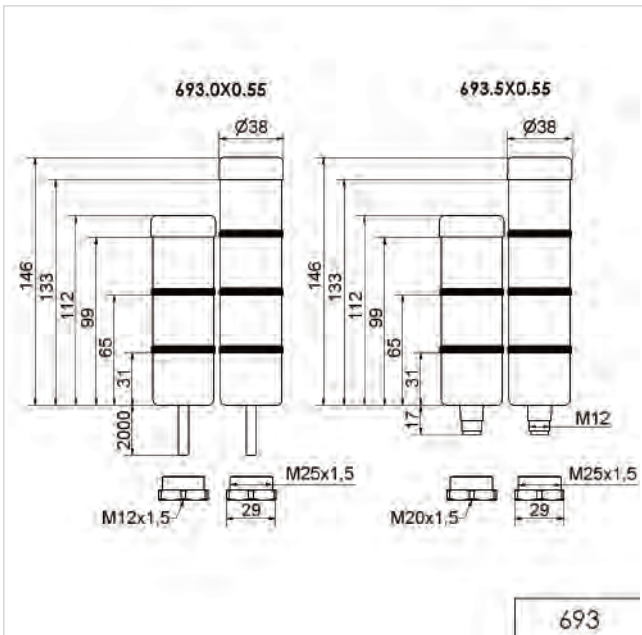
646.8X0.55



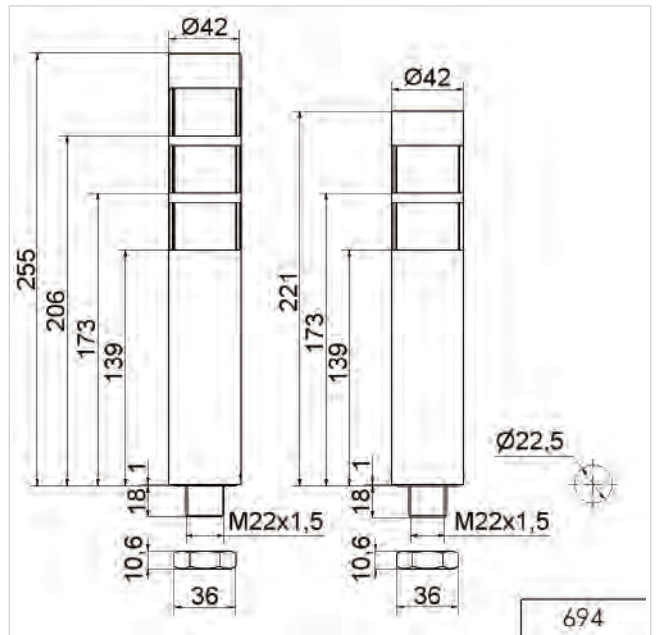
690



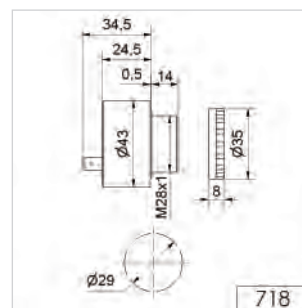
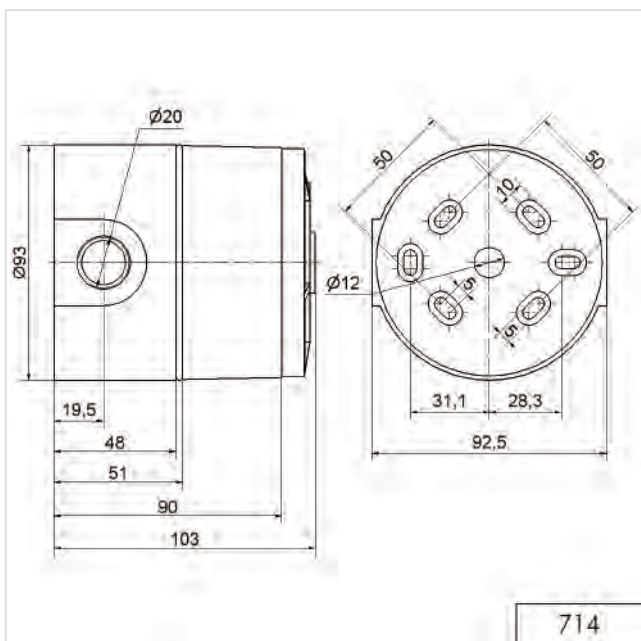
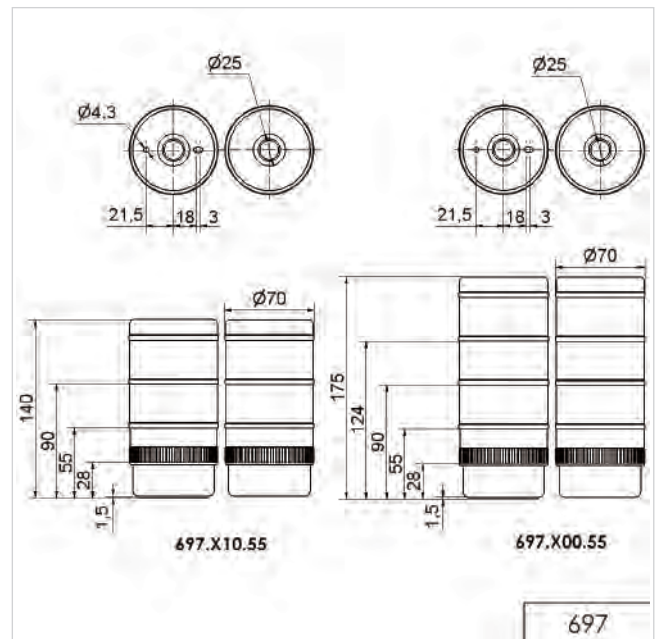
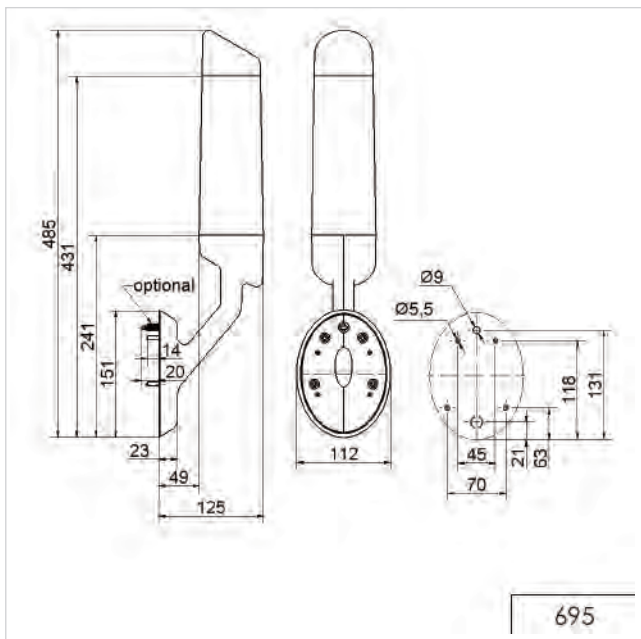
691



693



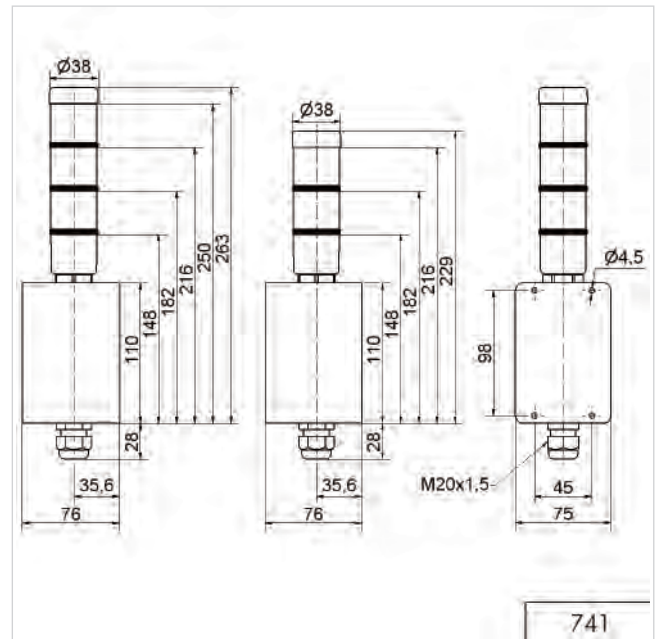
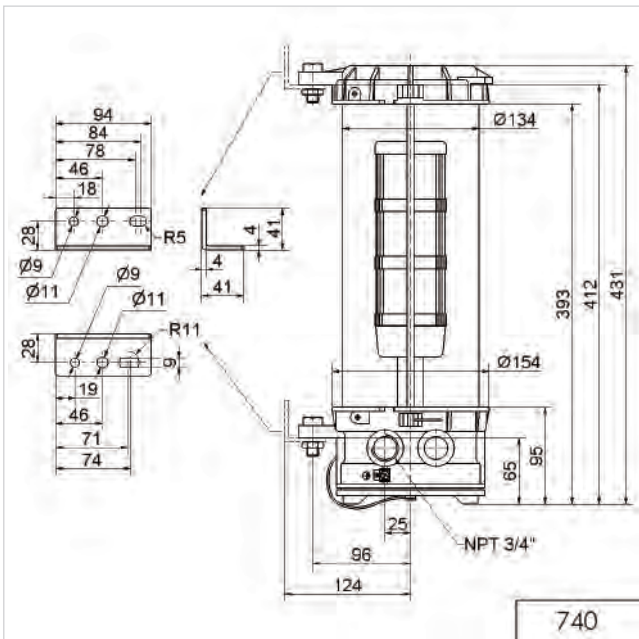
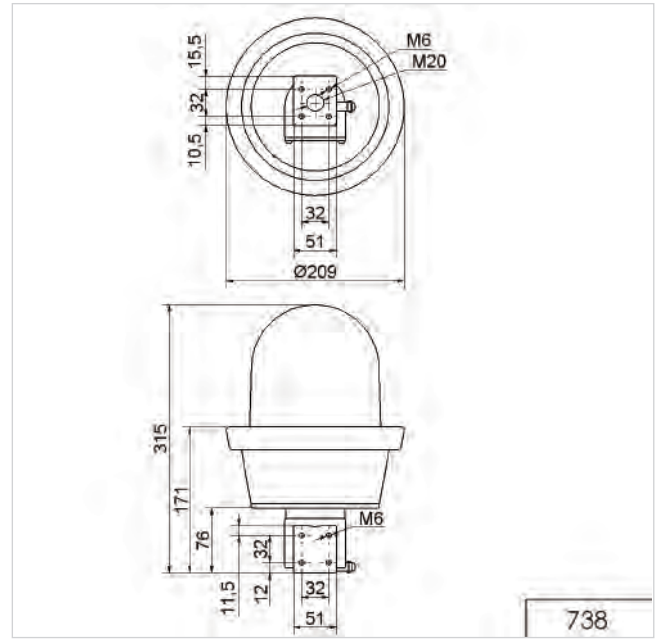
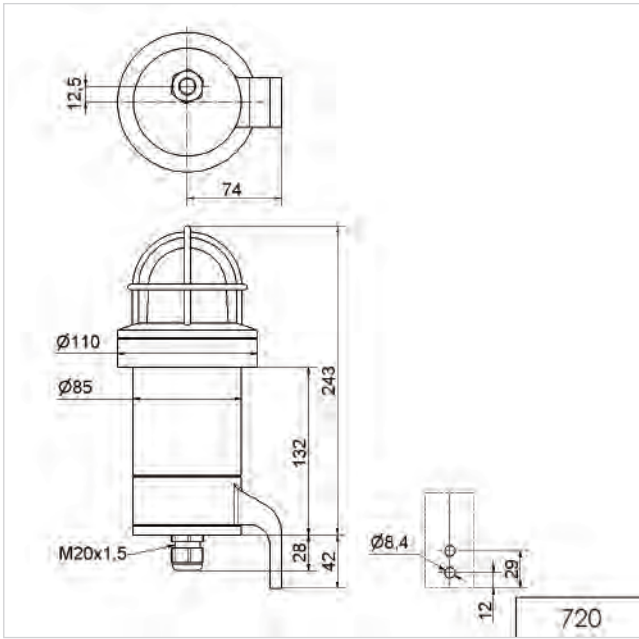
694

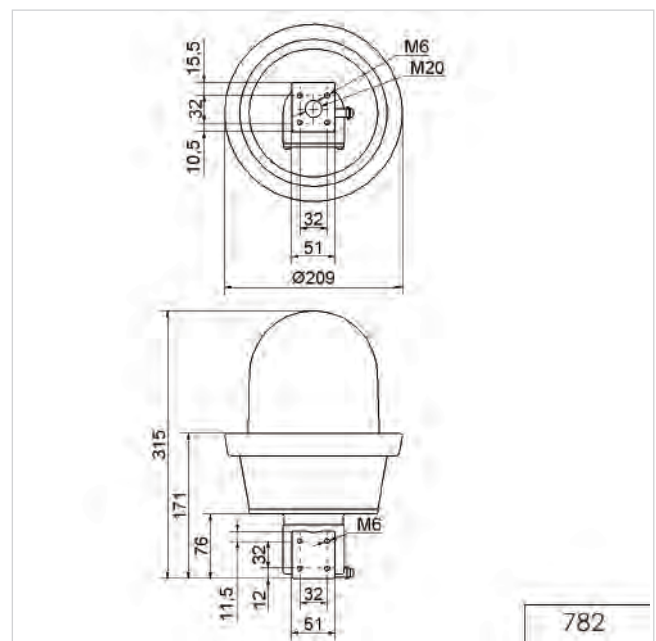
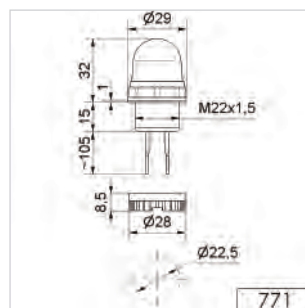
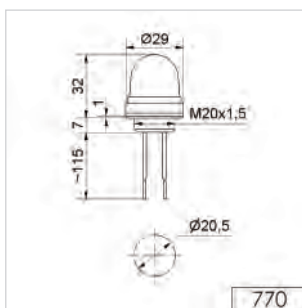
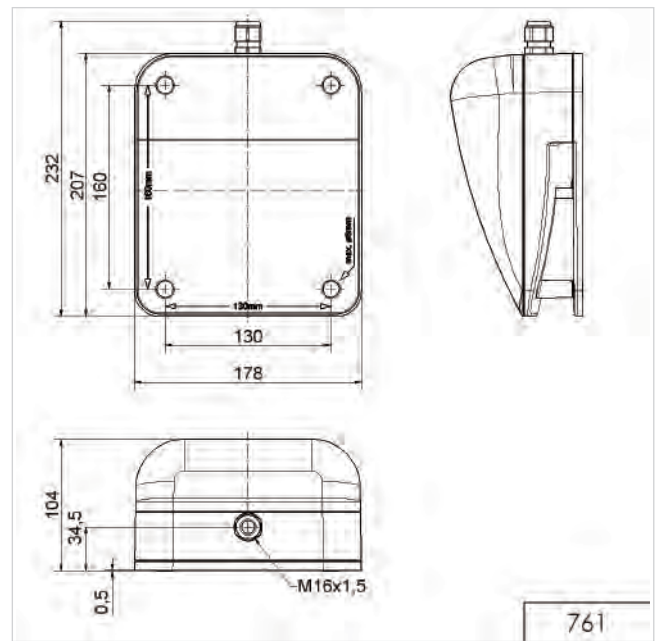
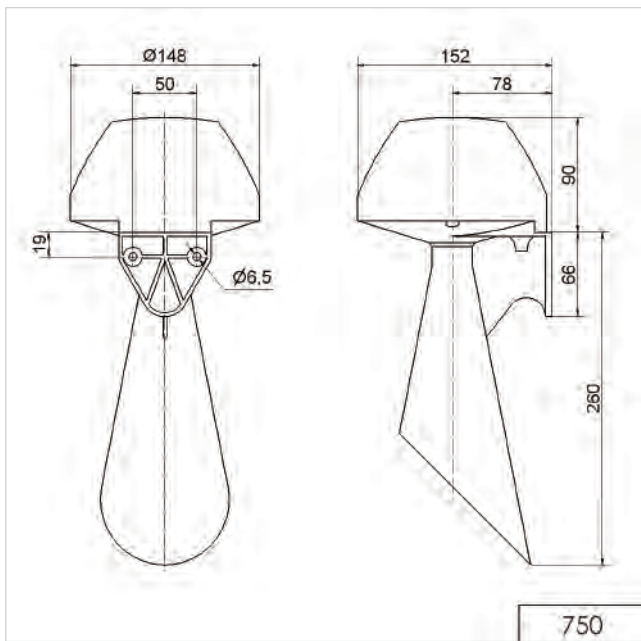


! ADDITIONAL INFORMATION:

You are welcome to request the technical diagrams in digital form. The relevant 3D models, instruction leaflets and connection diagrams can be obtained from us or downloaded from our homepage at any time.

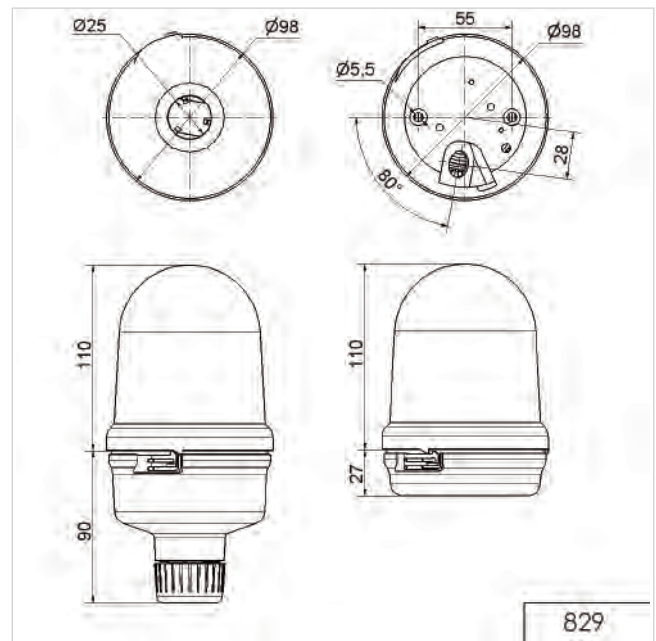
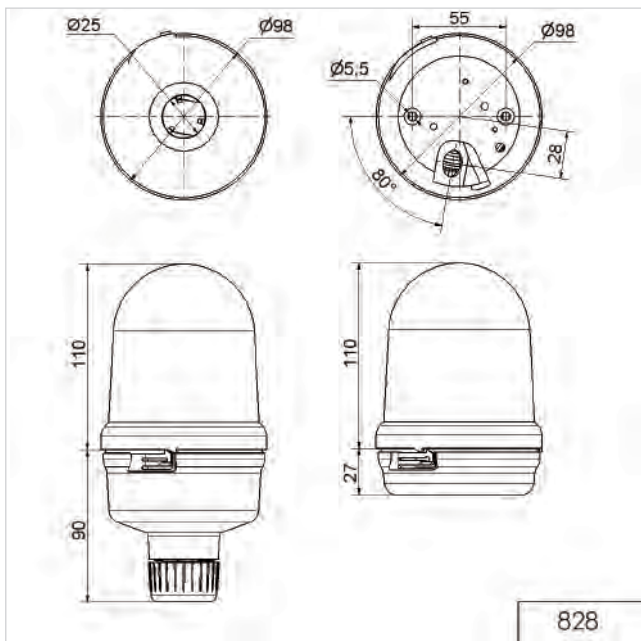
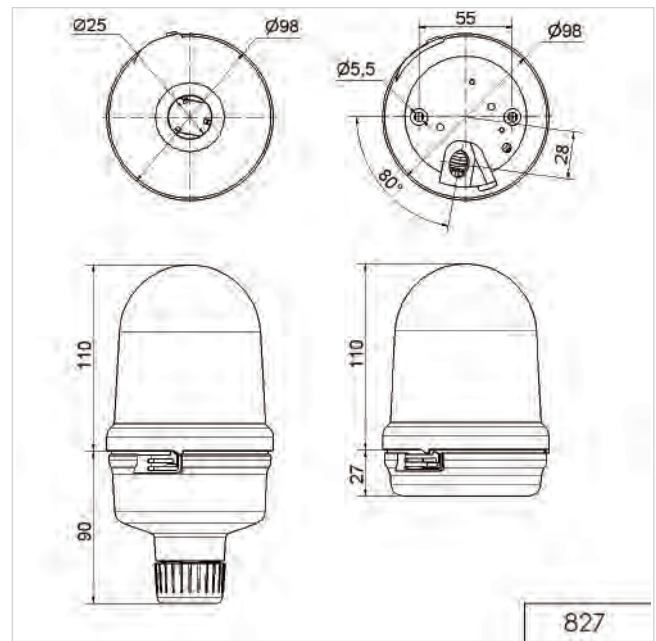
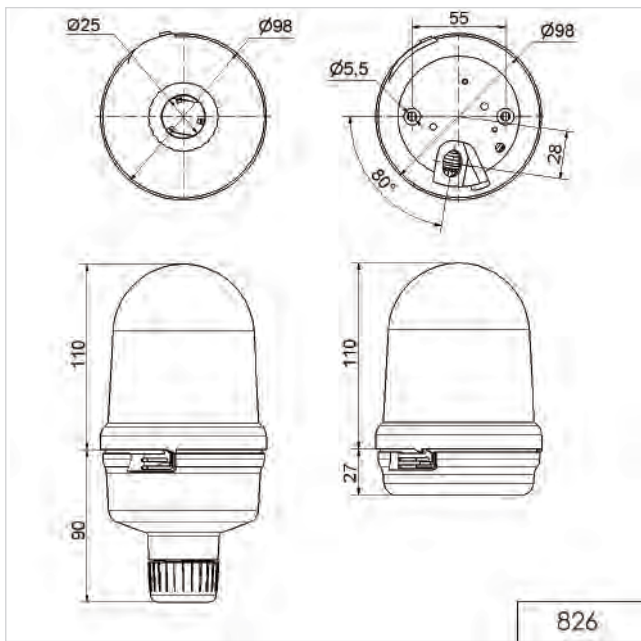
Technical Diagrams





! ADDITIONAL INFORMATION:

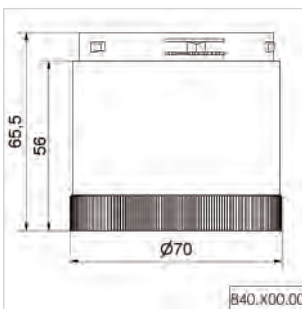
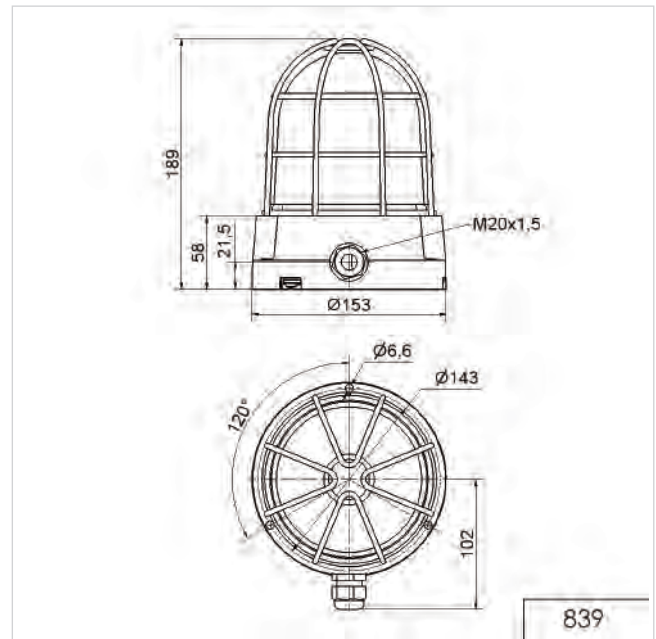
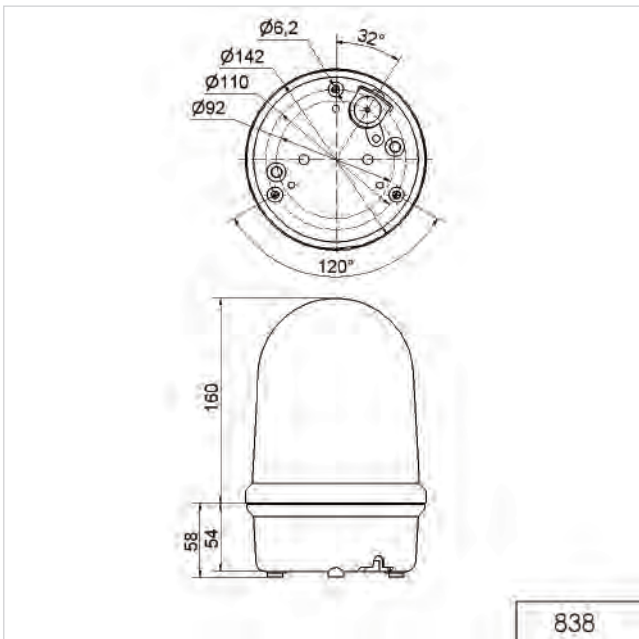
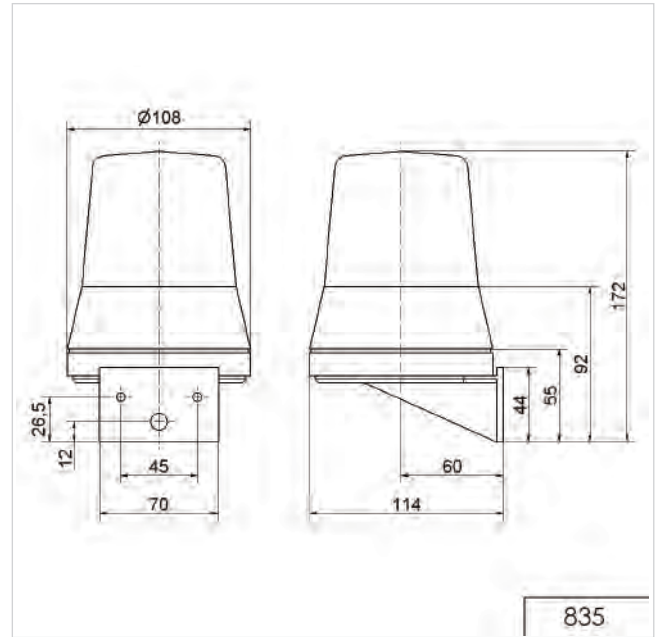
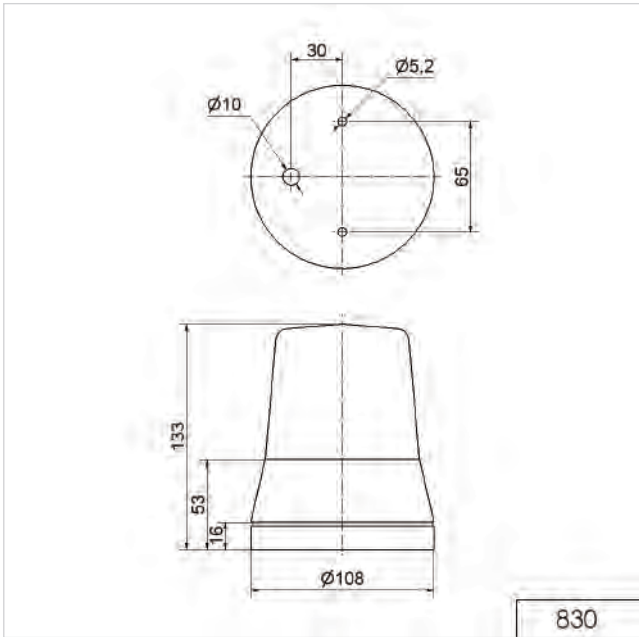
You are welcome to request the technical diagrams in digital form. The relevant 3D models, instruction leaflets and connection diagrams can be obtained from us or downloaded from our homepage at any time.

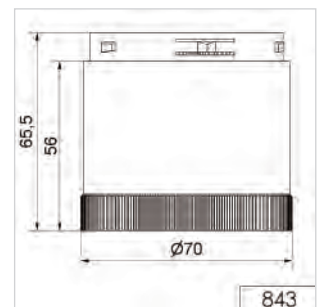
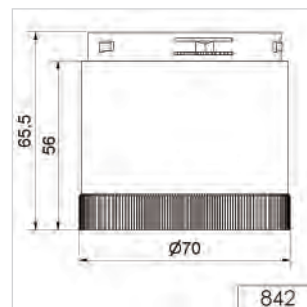
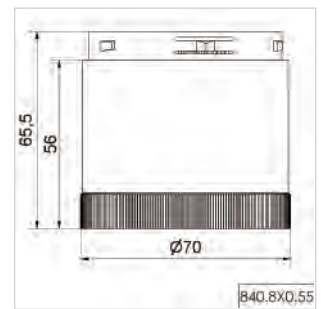
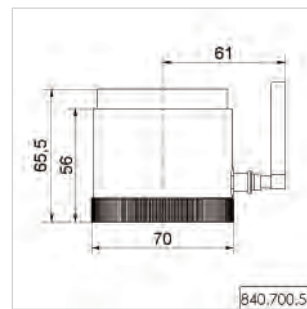
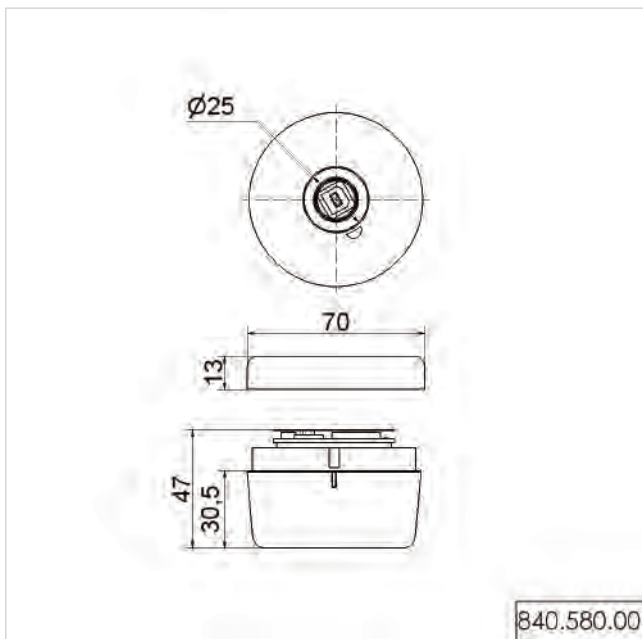
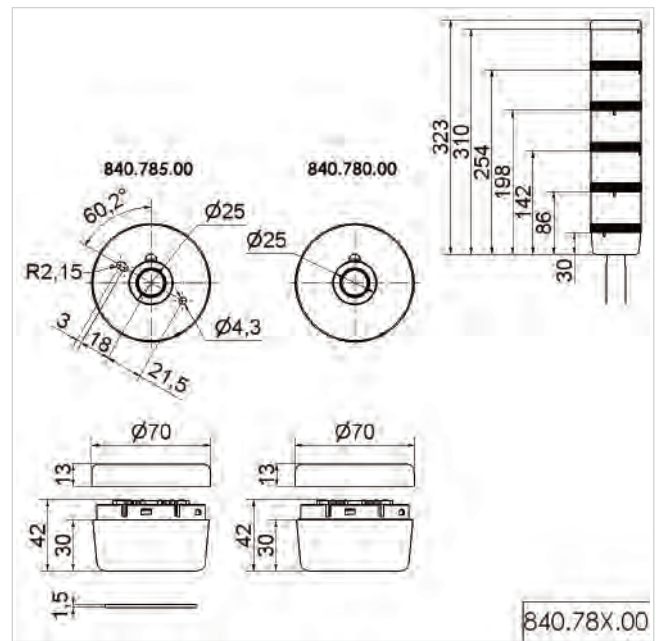
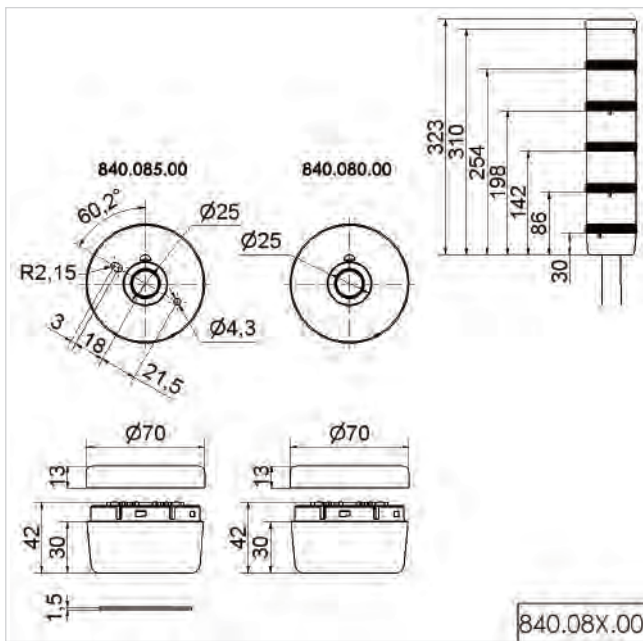


! ADDITIONAL INFORMATION:

You are welcome to request the technical diagrams in digital form. The relevant 3D models, instruction leaflets and connection diagrams can be obtained from us or downloaded from our homepage at any time.

Technical Diagrams

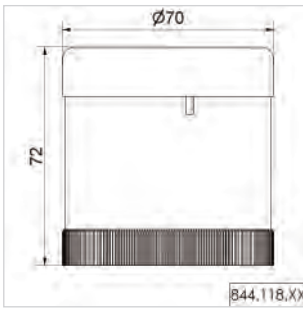




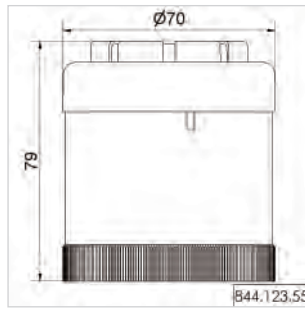
! ADDITIONAL INFORMATION:

You are welcome to request the technical diagrams in digital form. The relevant 3D models, instruction leaflets and connection diagrams can be obtained from us or downloaded from our homepage at any time.

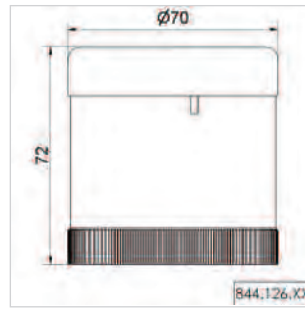
Technical Diagrams



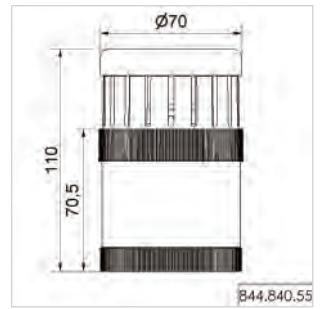
844.118.XX



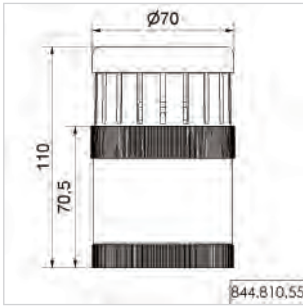
844.123.55



844.126.XX



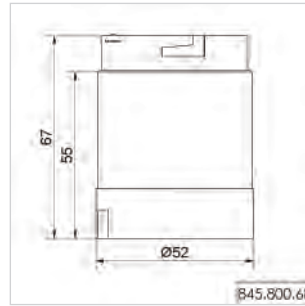
844.840.55



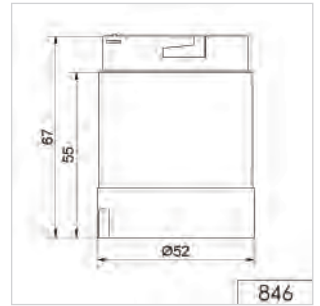
844.810.55



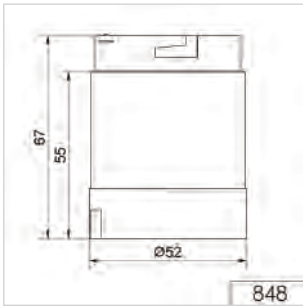
845



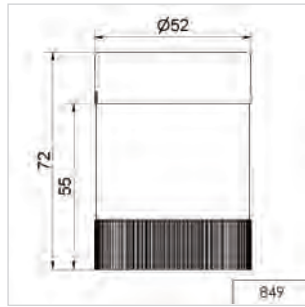
845.800.68



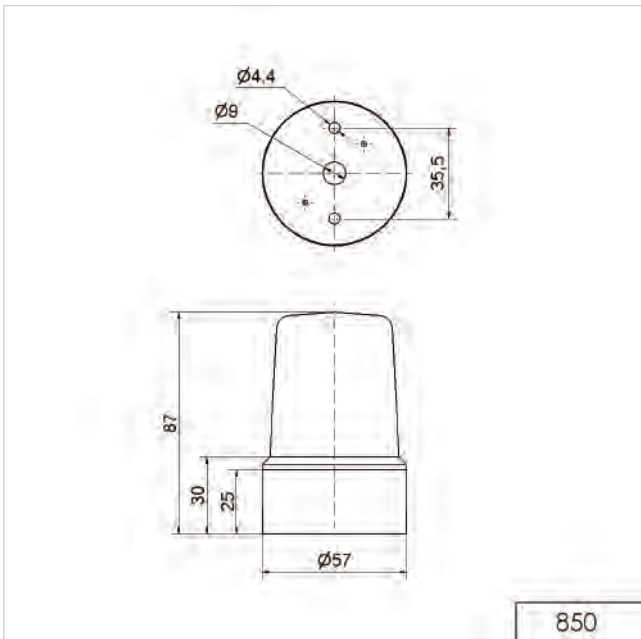
846



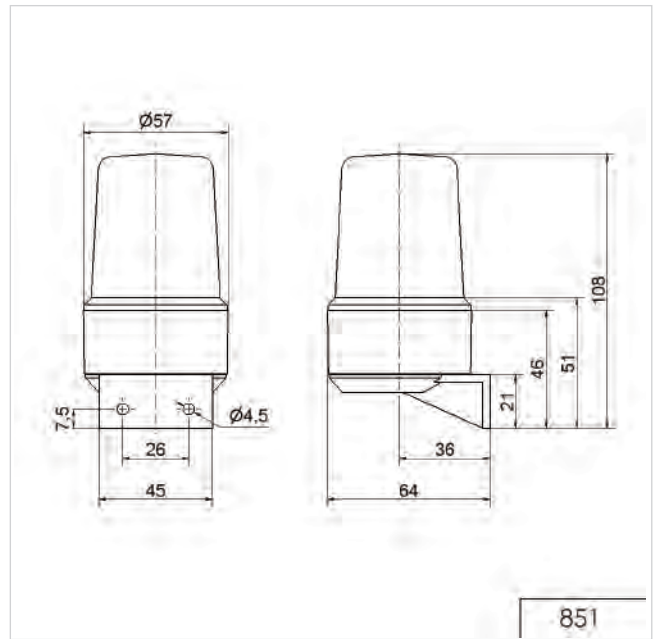
848



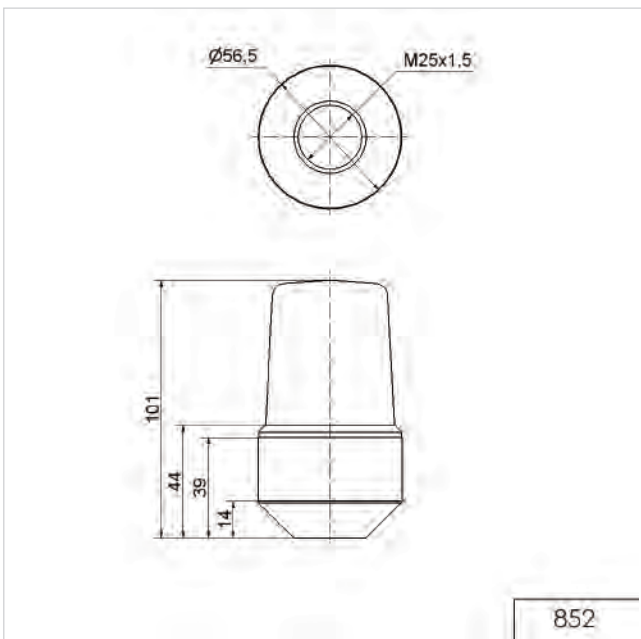
849



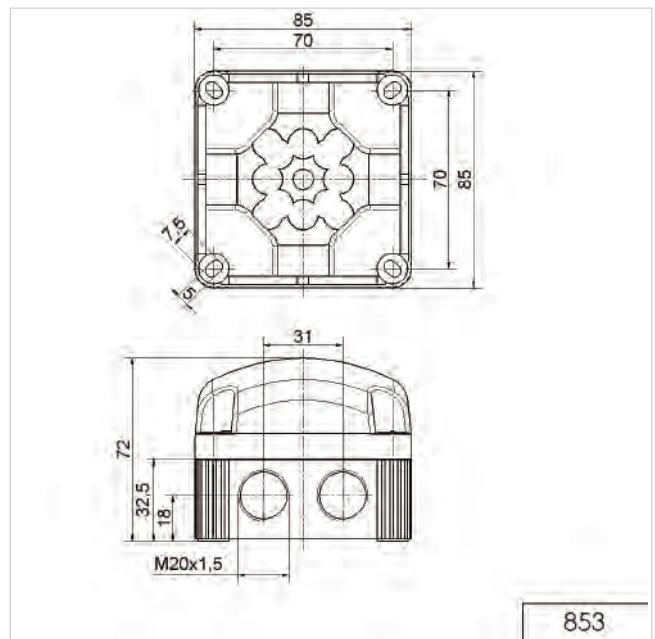
850



851



852

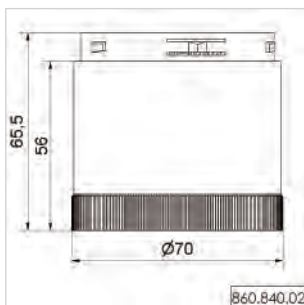
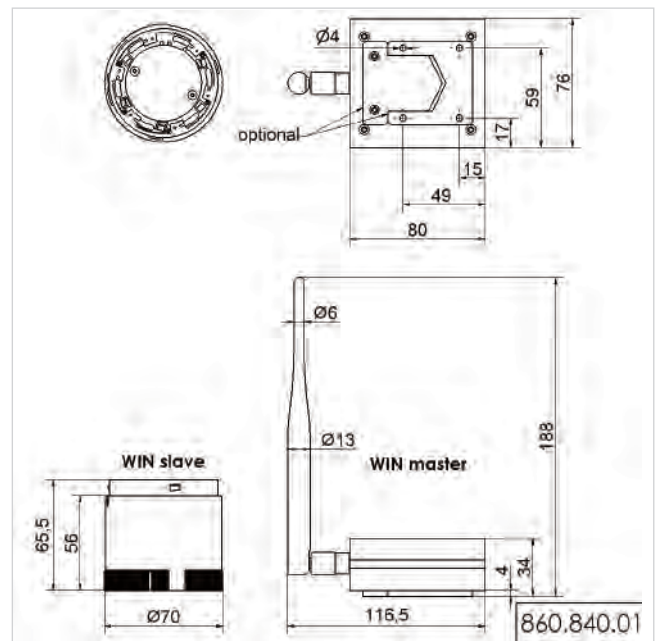
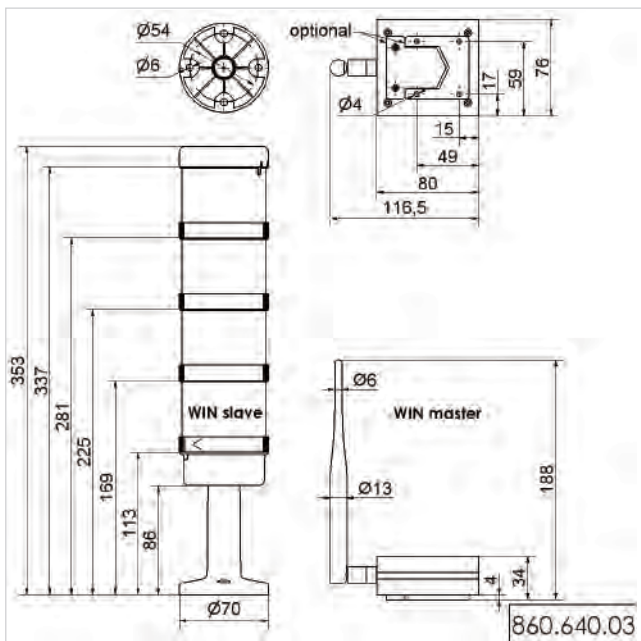
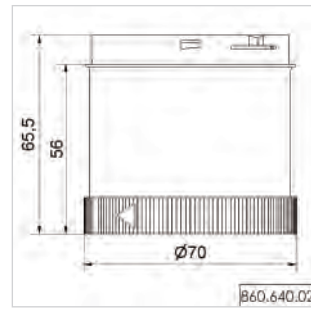
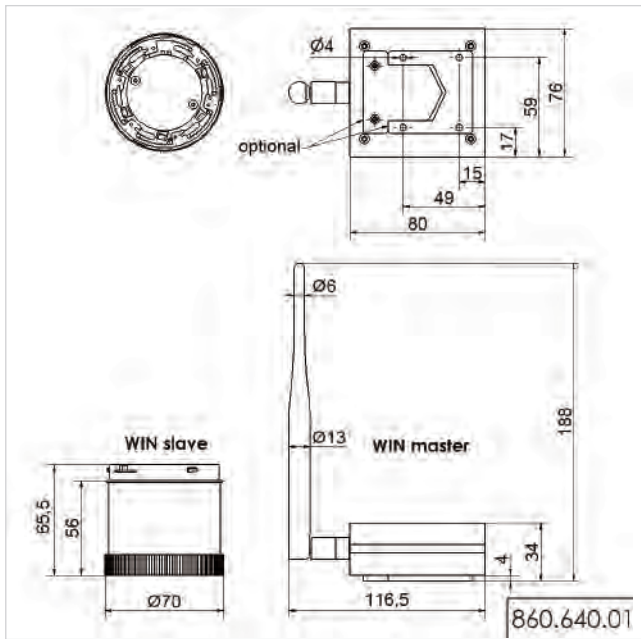


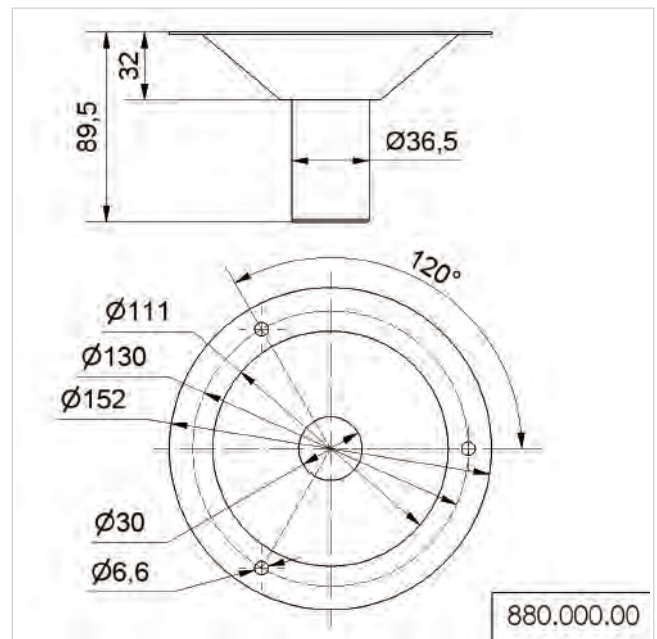
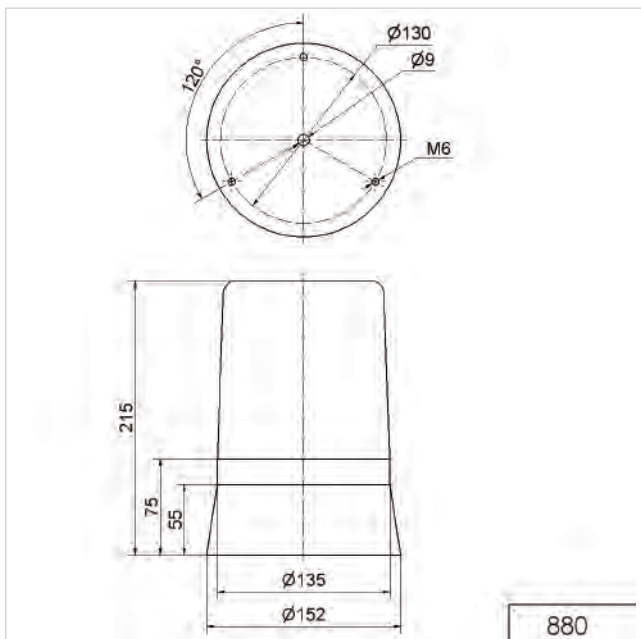
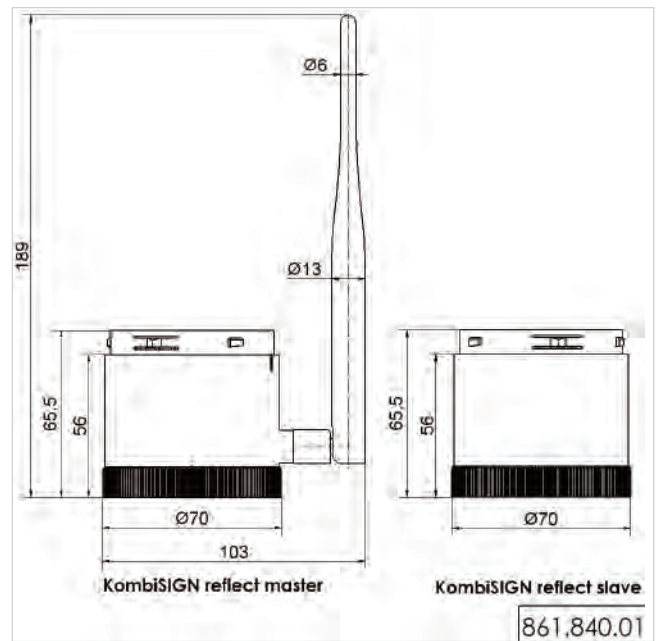
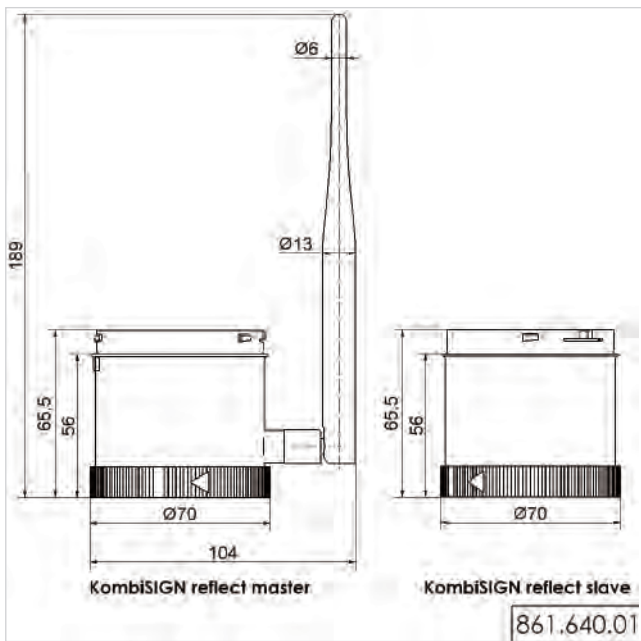
853

! ADDITIONAL INFORMATION:

You are welcome to request the technical diagrams in digital form. The relevant 3D models, instruction leaflets and connection diagrams can be obtained from us or downloaded from our homepage at any time.

Technical Diagrams

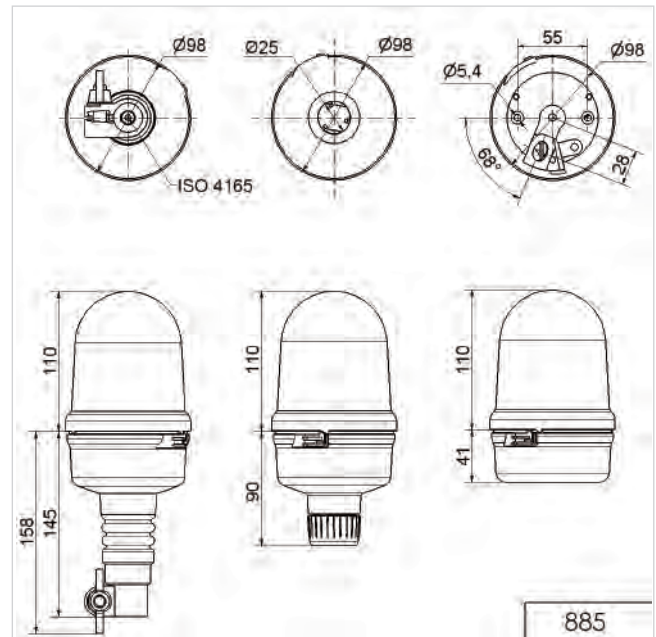
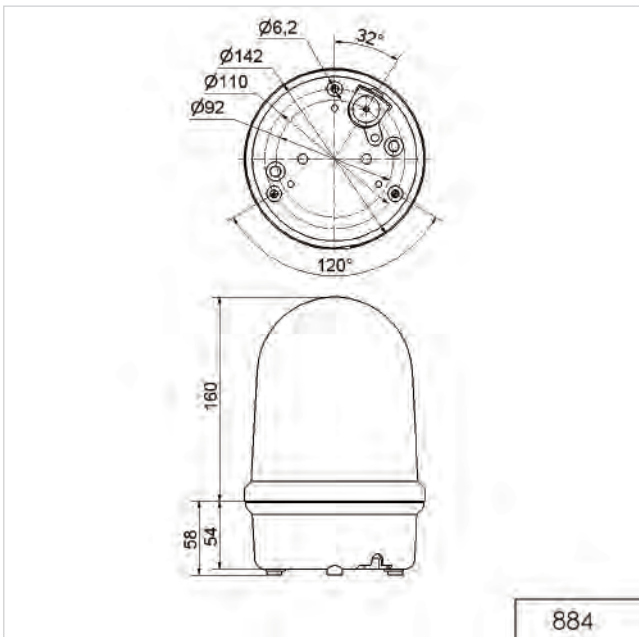
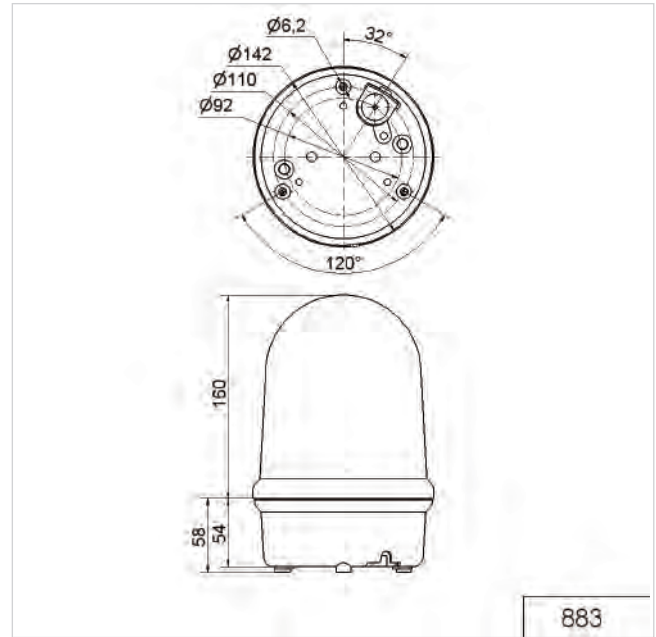
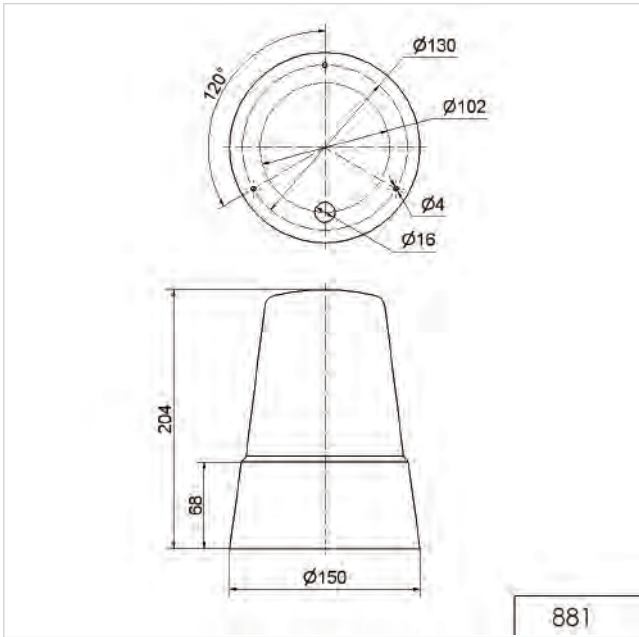


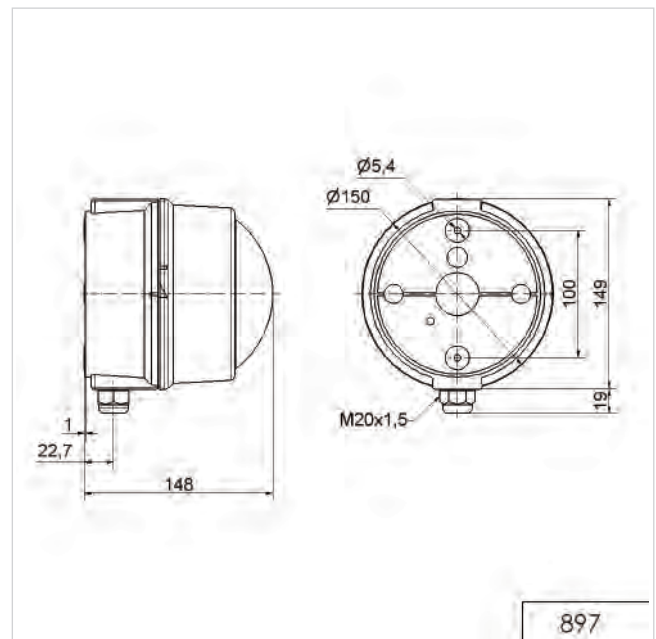
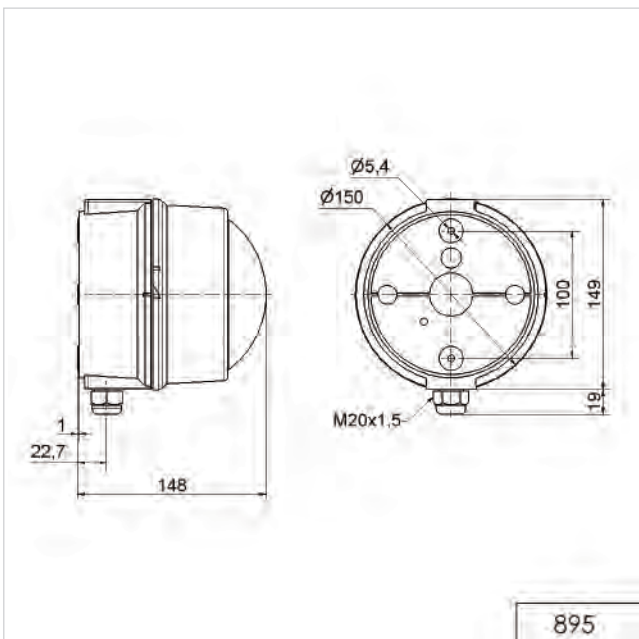
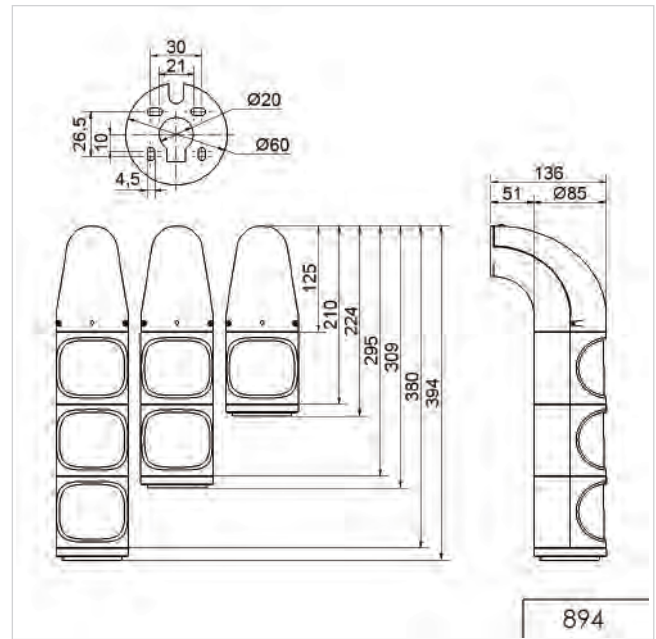
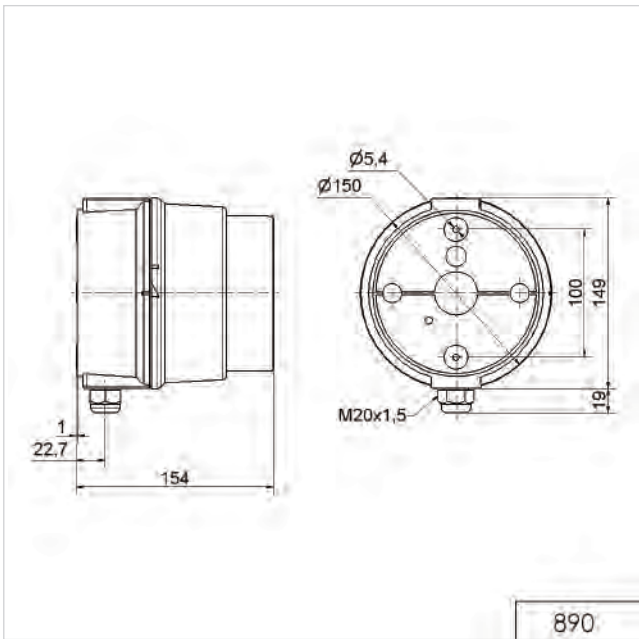


! ADDITIONAL INFORMATION:

You are welcome to request the technical diagrams in digital form. The relevant 3D models, instruction leaflets and connection diagrams can be obtained from us or downloaded from our homepage at any time.

Technical Diagrams

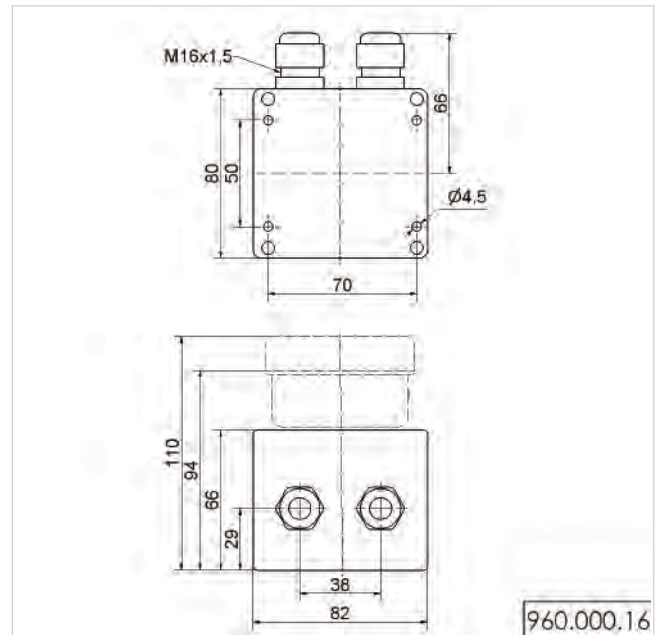
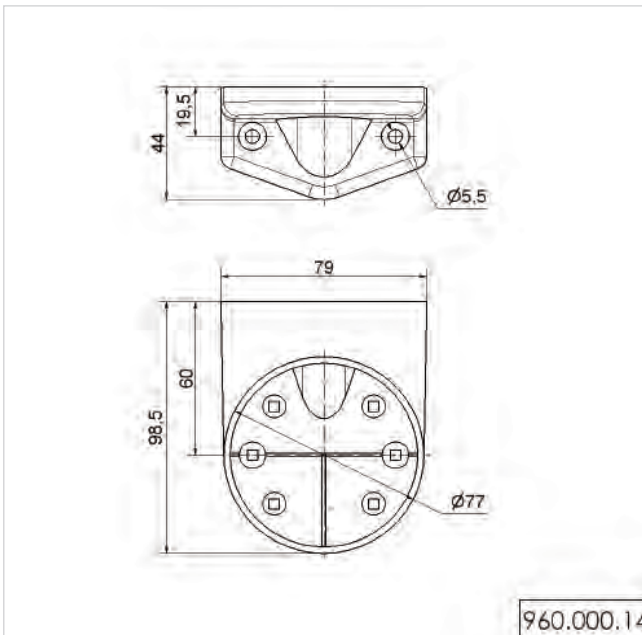
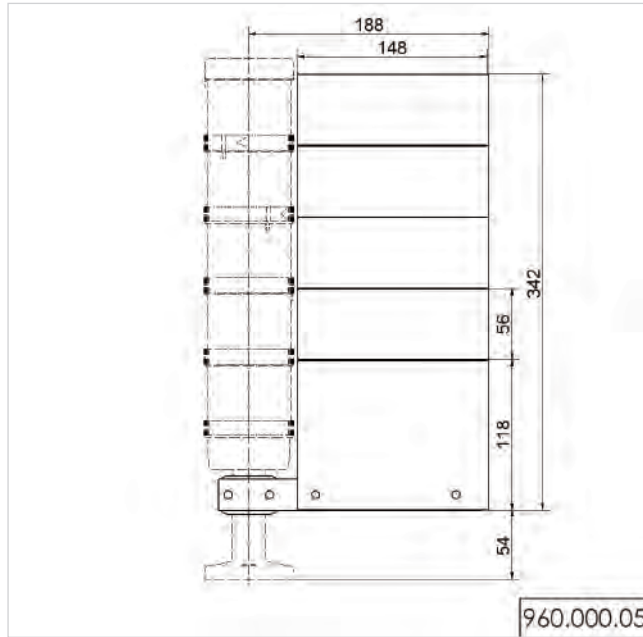
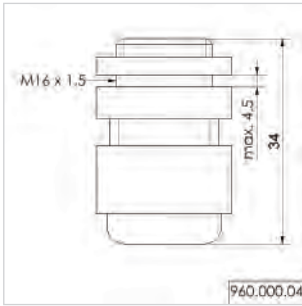
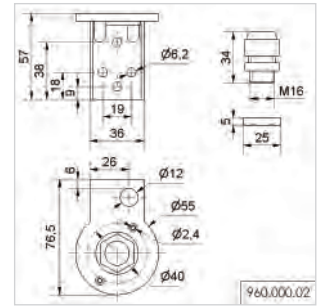
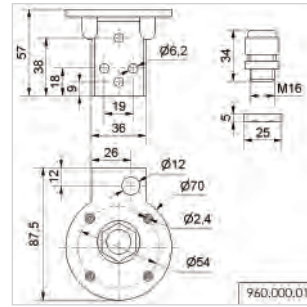
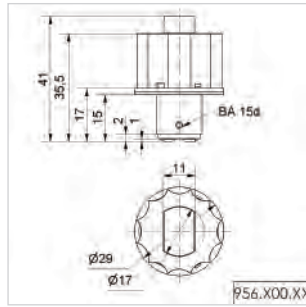
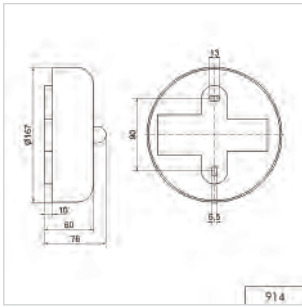




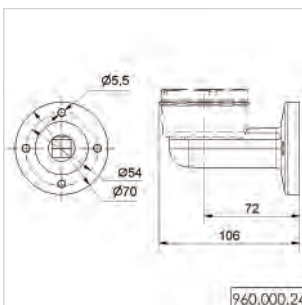
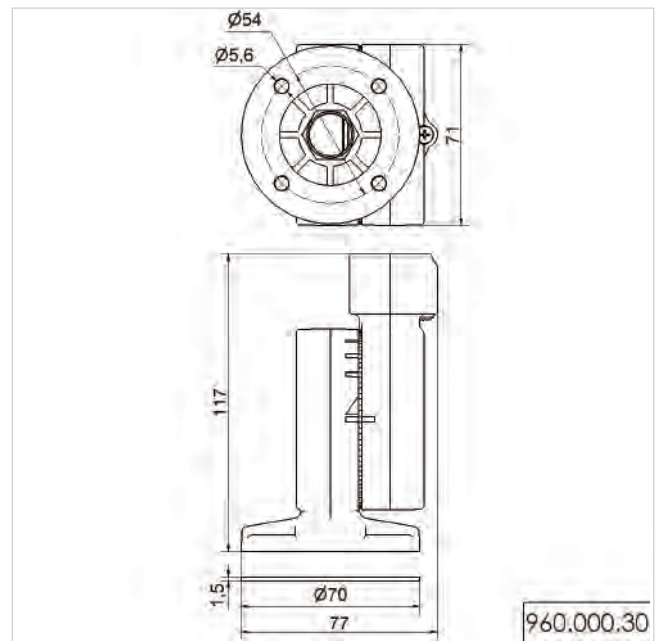
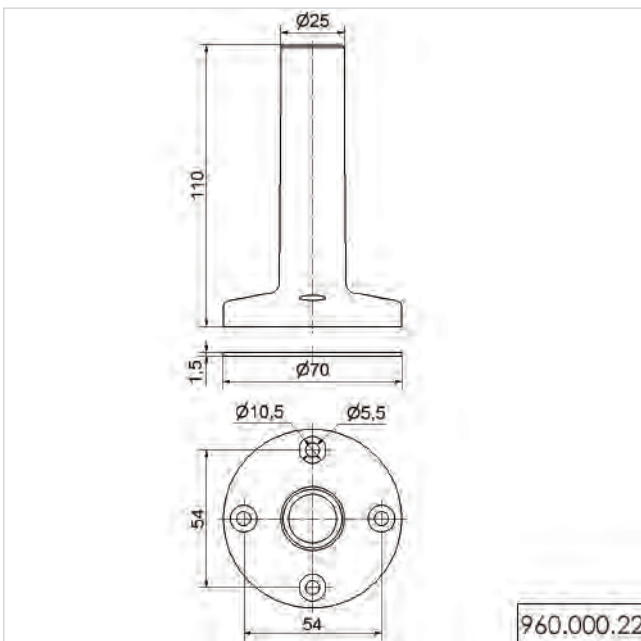
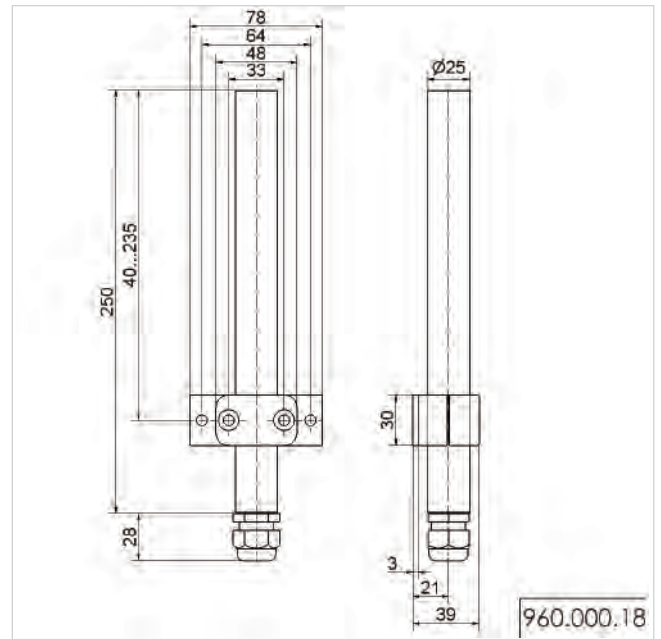
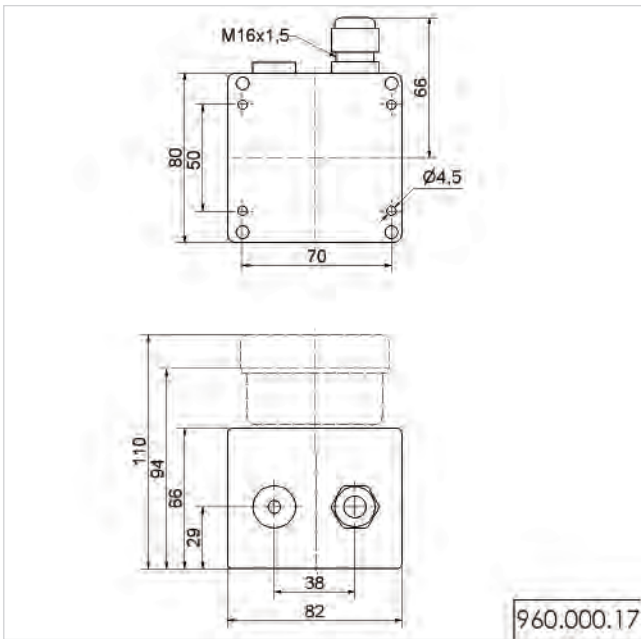
! ADDITIONAL INFORMATION:

You are welcome to request the technical diagrams in digital form. The relevant 3D models, instruction leaflets and connection diagrams can be obtained from us or downloaded from our homepage at any time.

Technical Diagrams



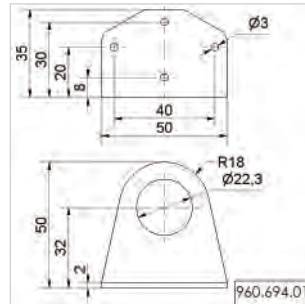
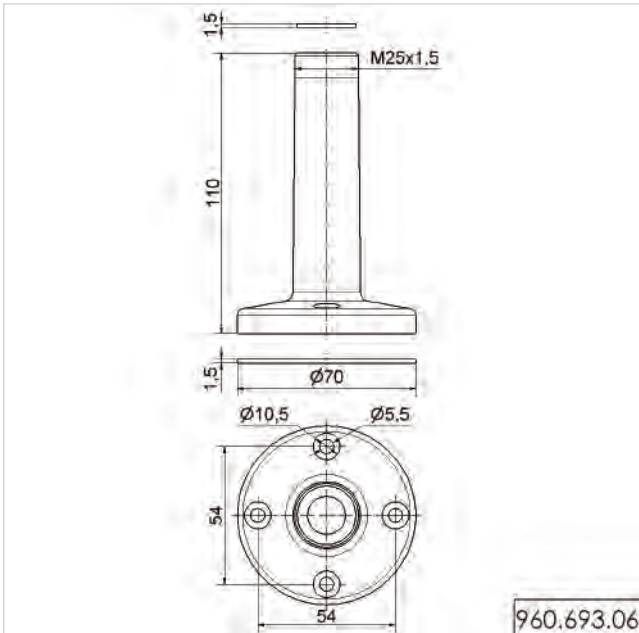
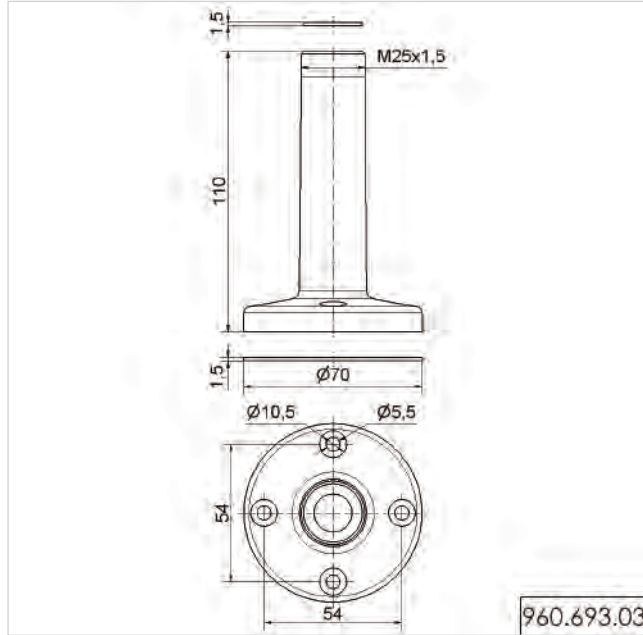
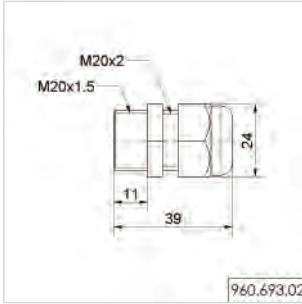
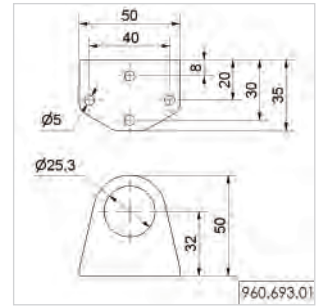
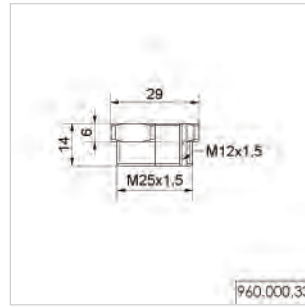
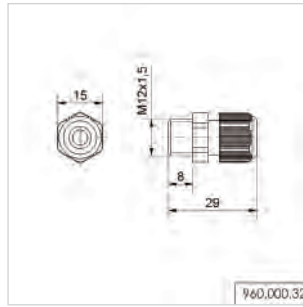
Technical
Diagrams

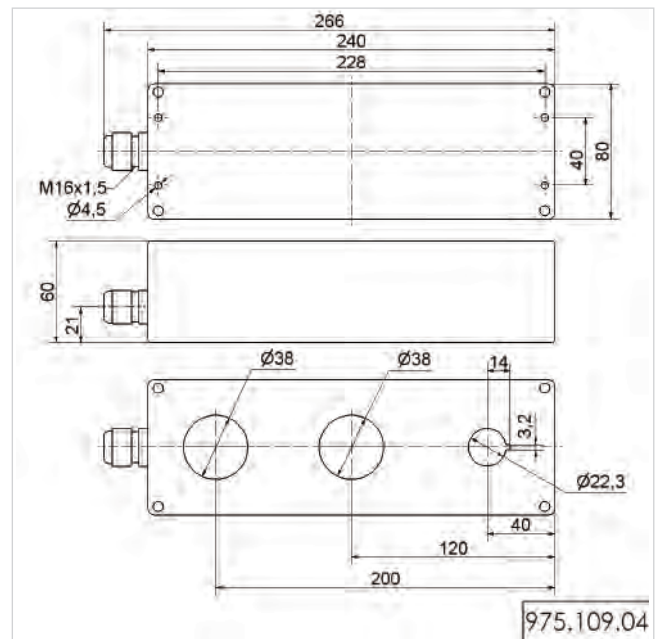
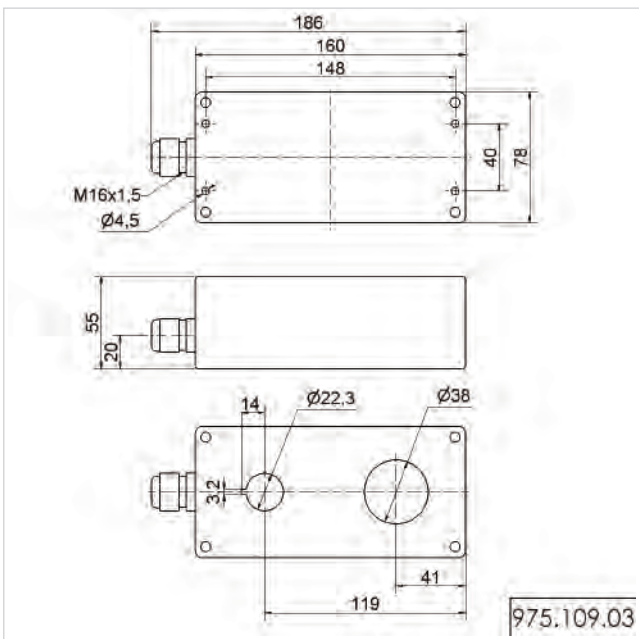
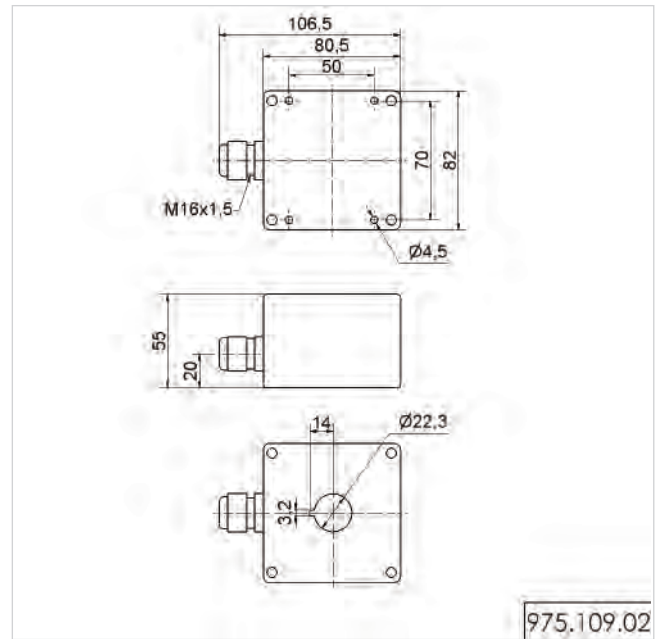
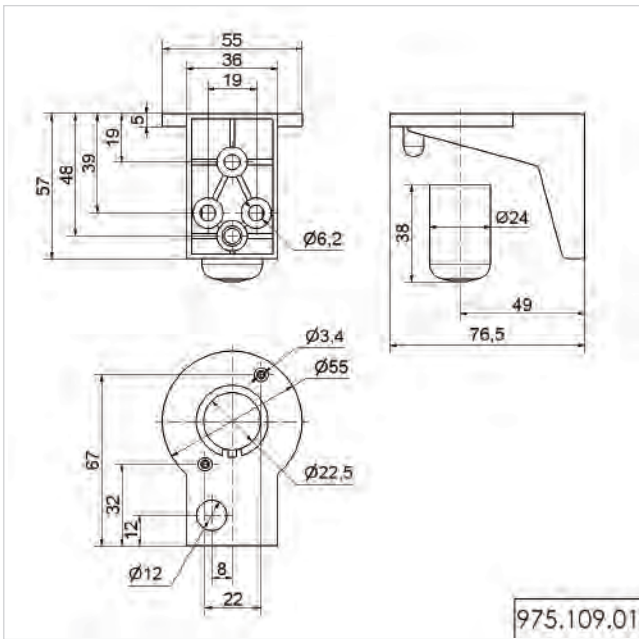


! ADDITIONAL INFORMATION:

You are welcome to request the technical diagrams in digital form. The relevant 3D models, instruction leaflets and connection diagrams can be obtained from us or downloaded from our homepage at any time.

Technical Diagrams

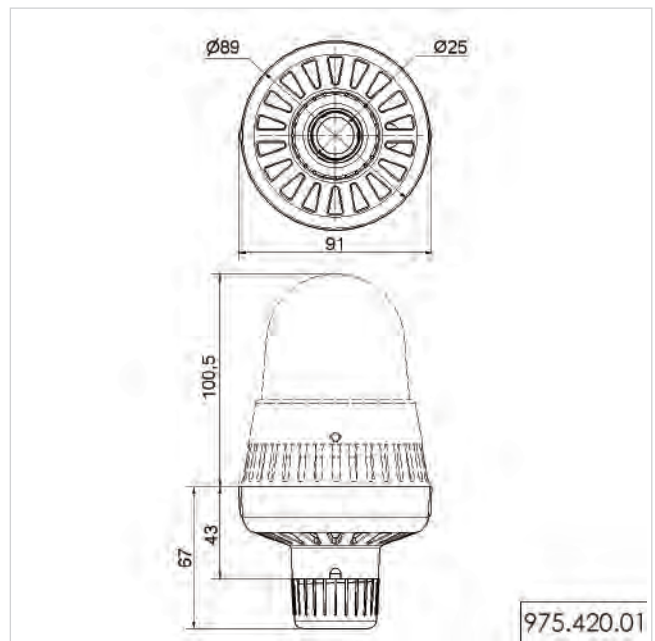
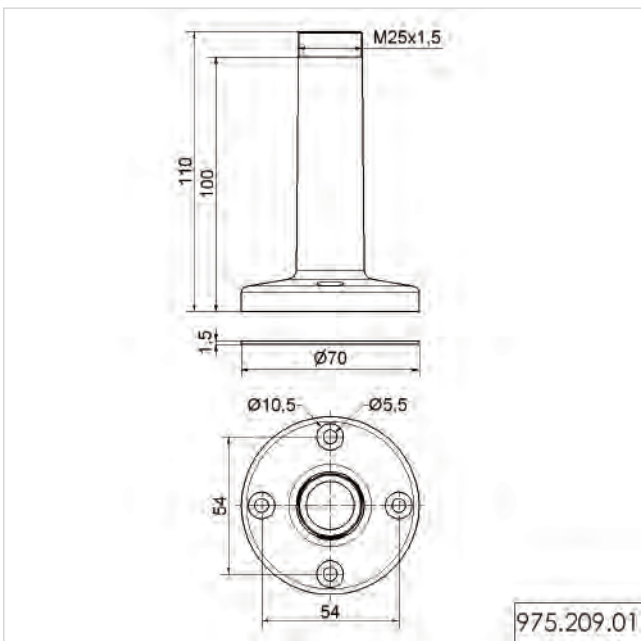
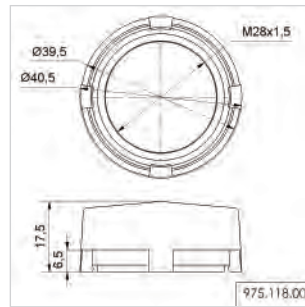
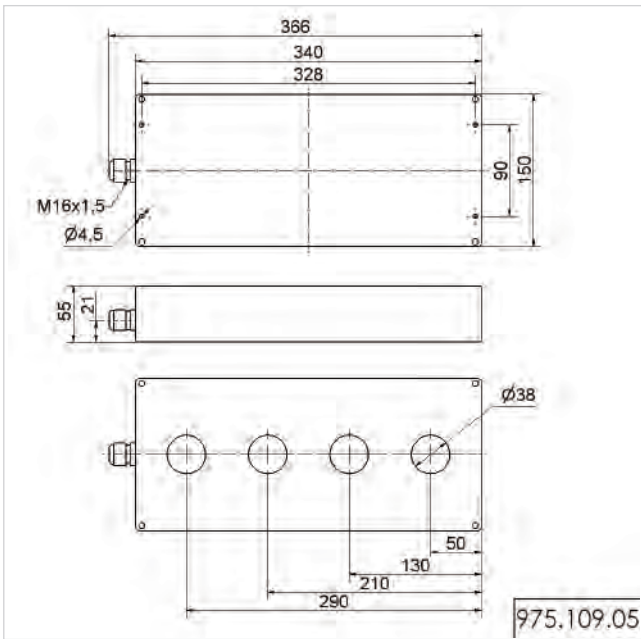


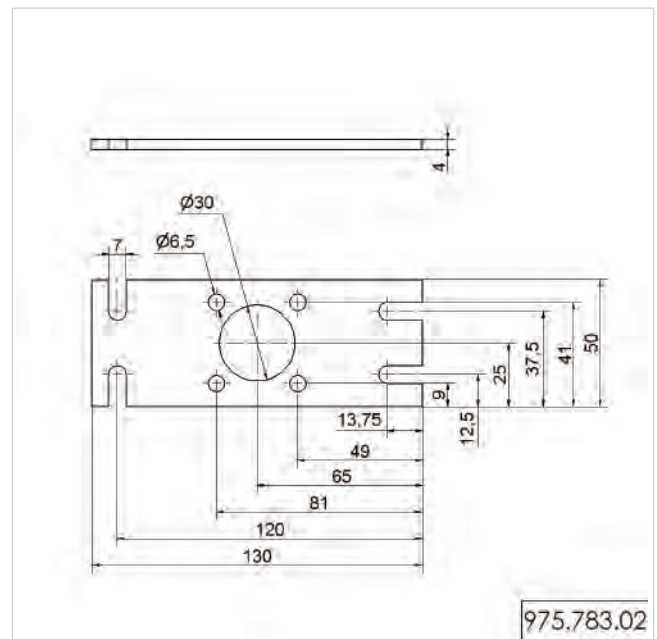
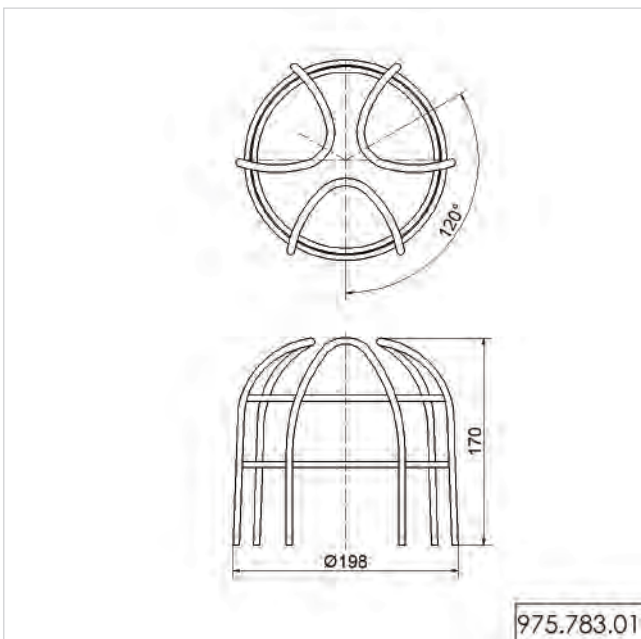
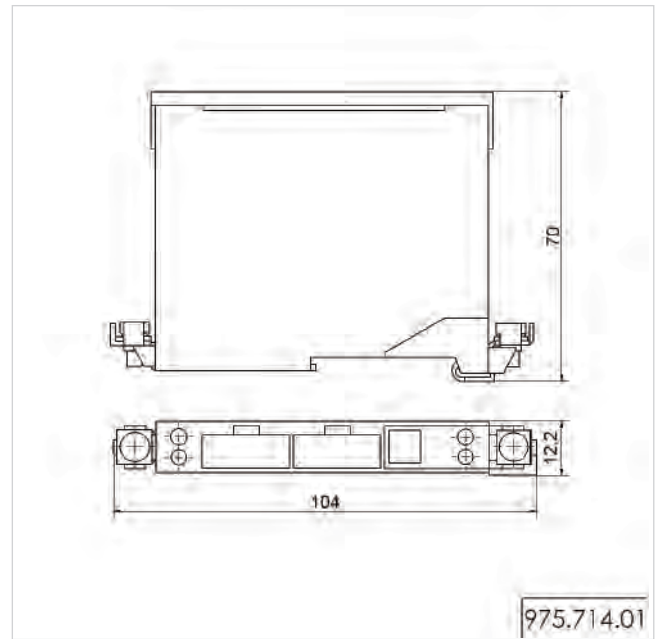
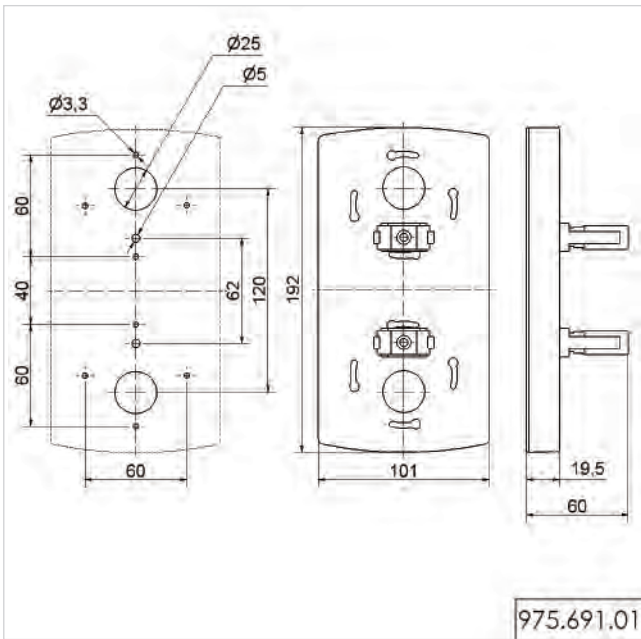


! ADDITIONAL INFORMATION:

You are welcome to request the technical diagrams in digital form. The relevant 3D models, instruction leaflets and connection diagrams can be obtained from us or downloaded from our homepage at any time.

Technical Diagrams

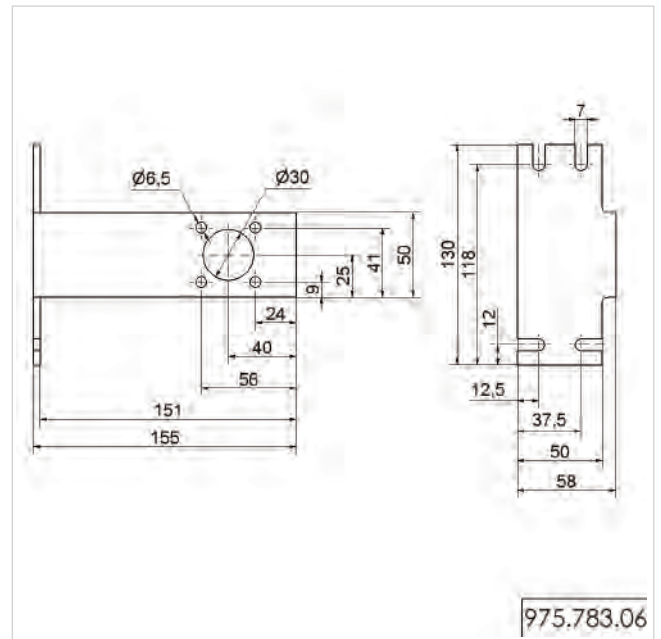
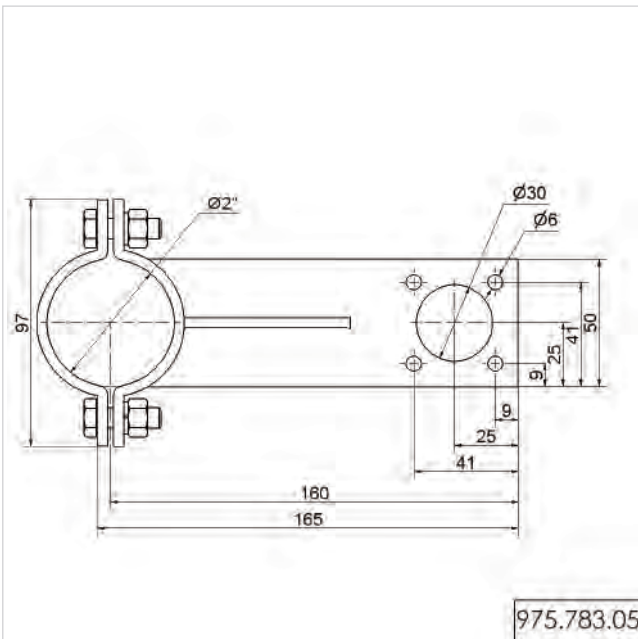
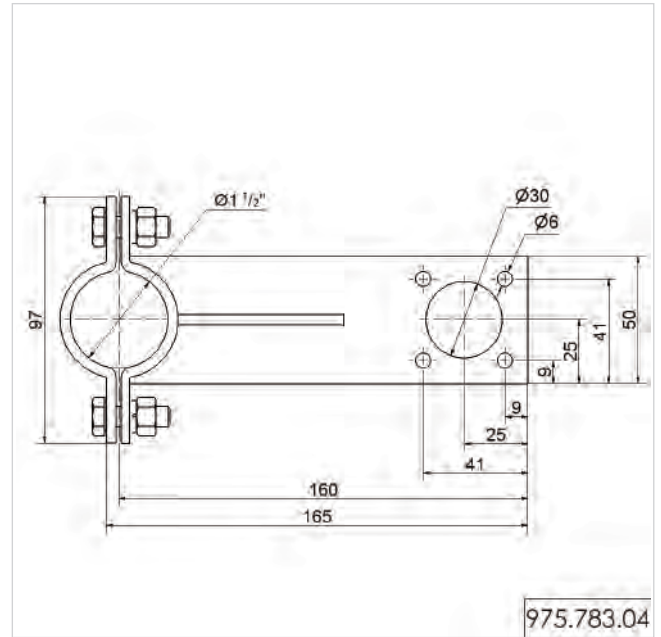
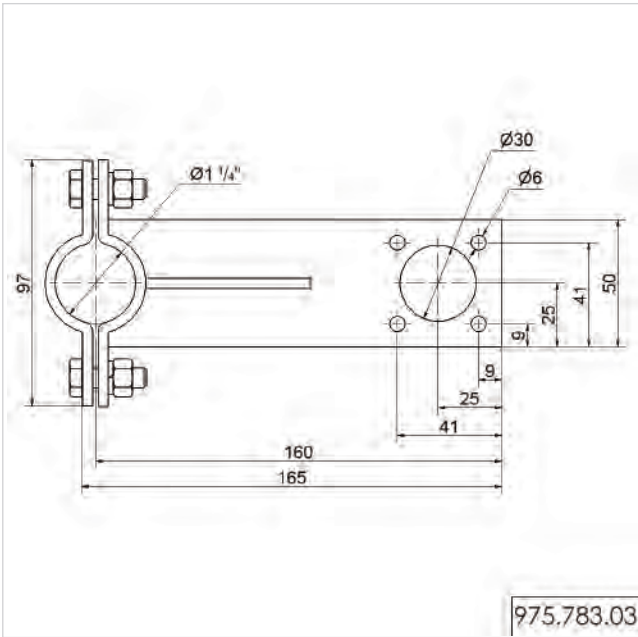


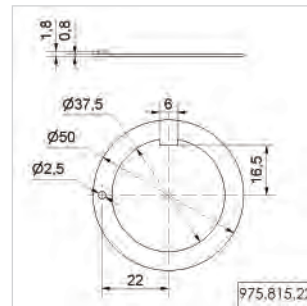
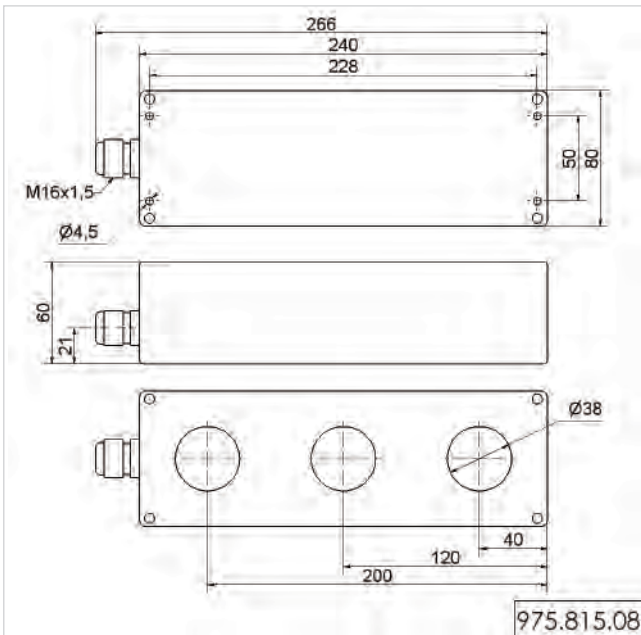
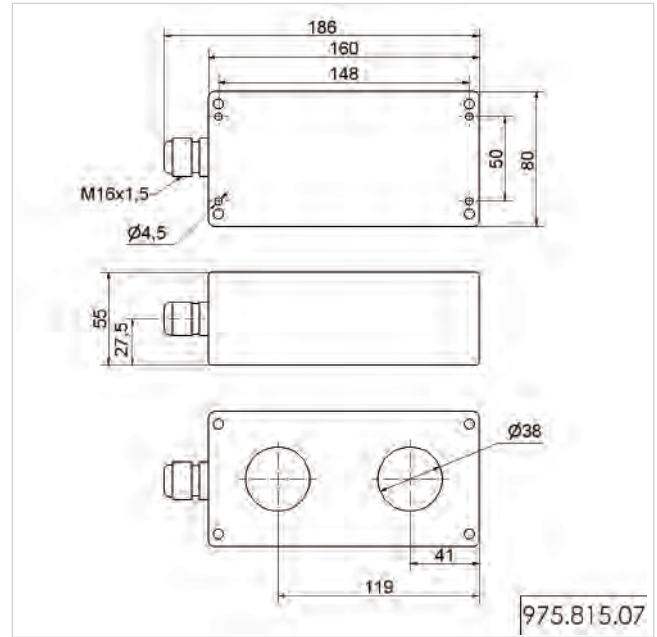
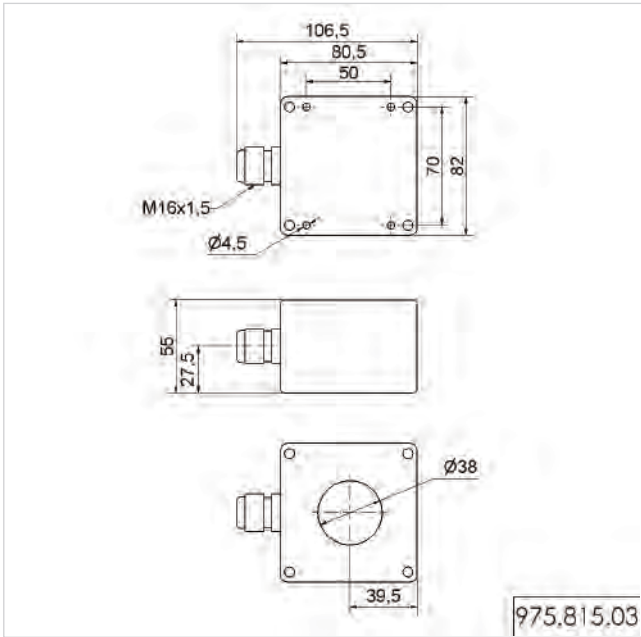
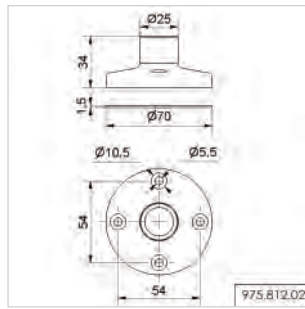
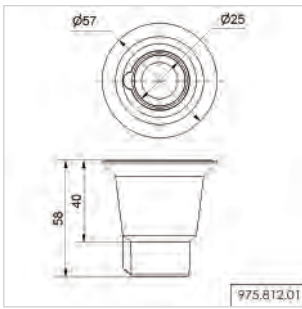


! ADDITIONAL INFORMATION:

You are welcome to request the technical diagrams in digital form. The relevant 3D models, instruction leaflets and connection diagrams can be obtained from us or downloaded from our homepage at any time.

Technical Diagrams

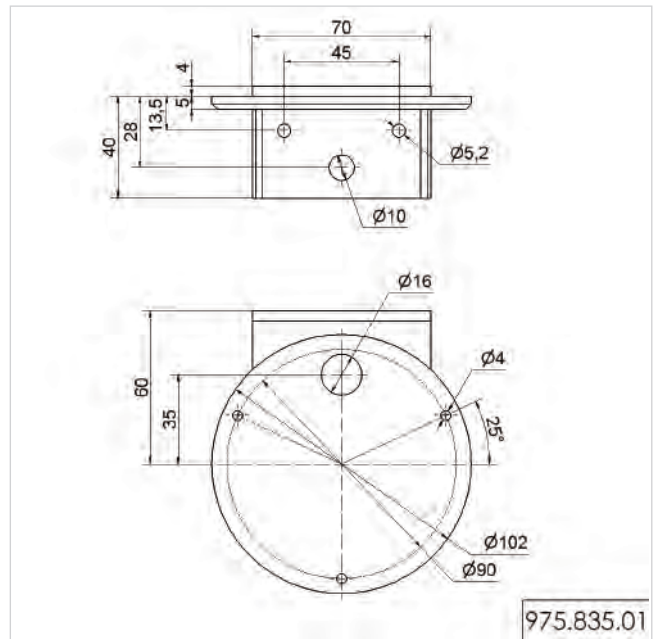
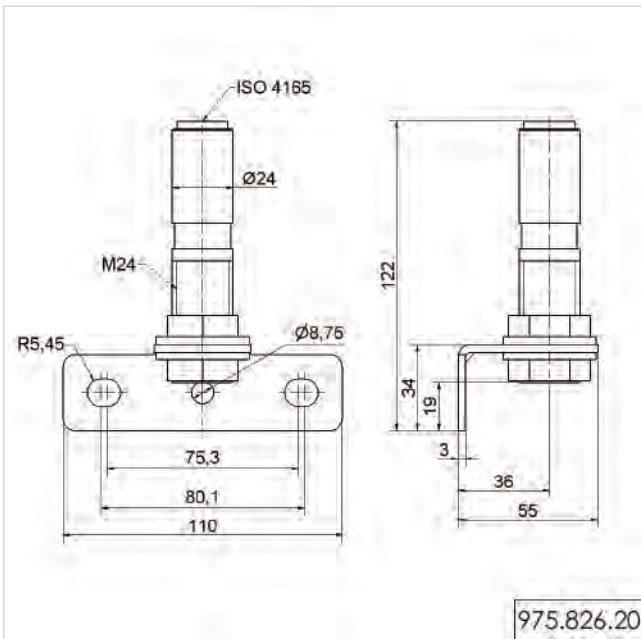
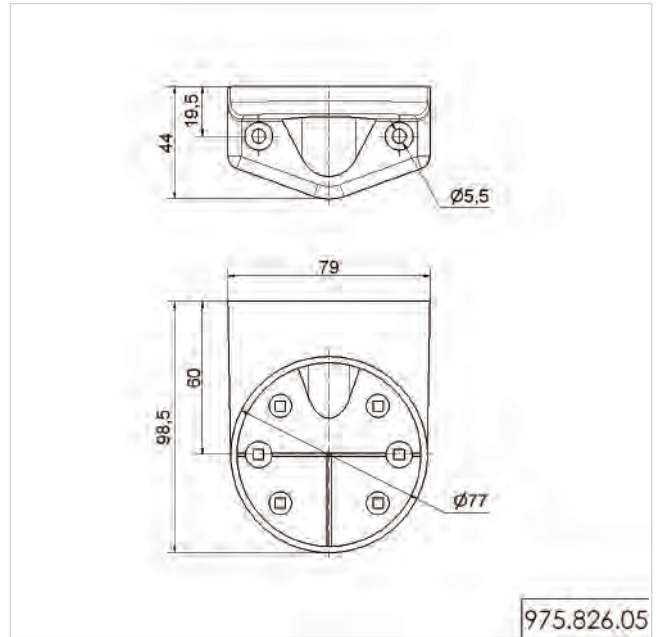
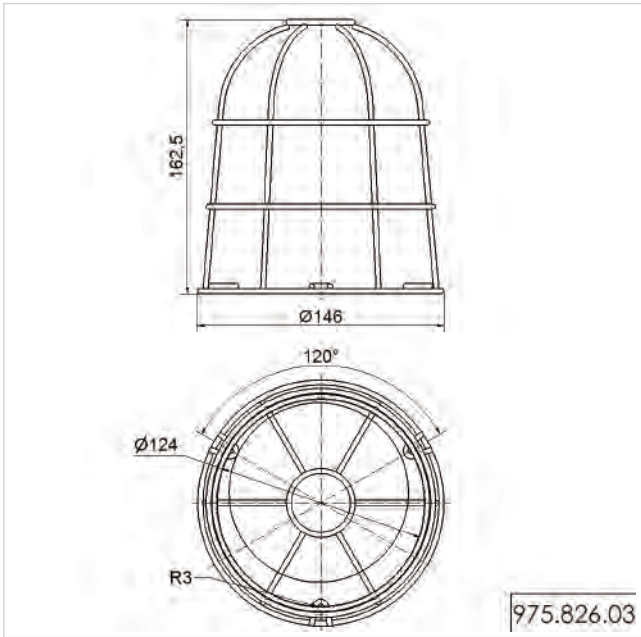


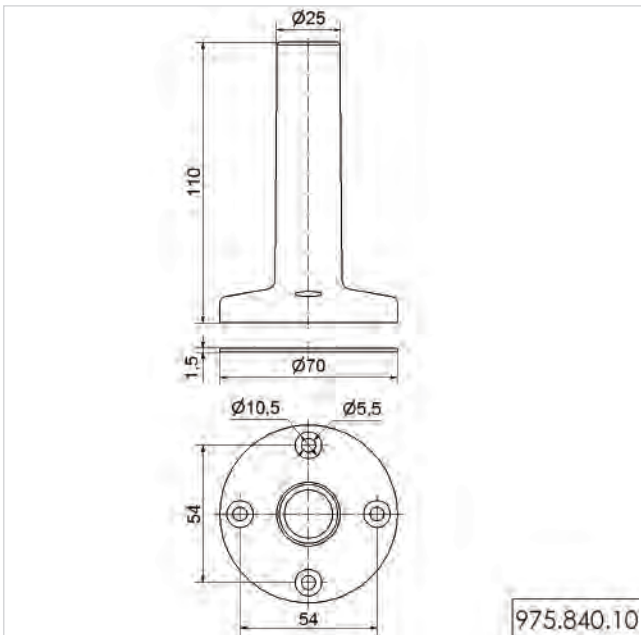
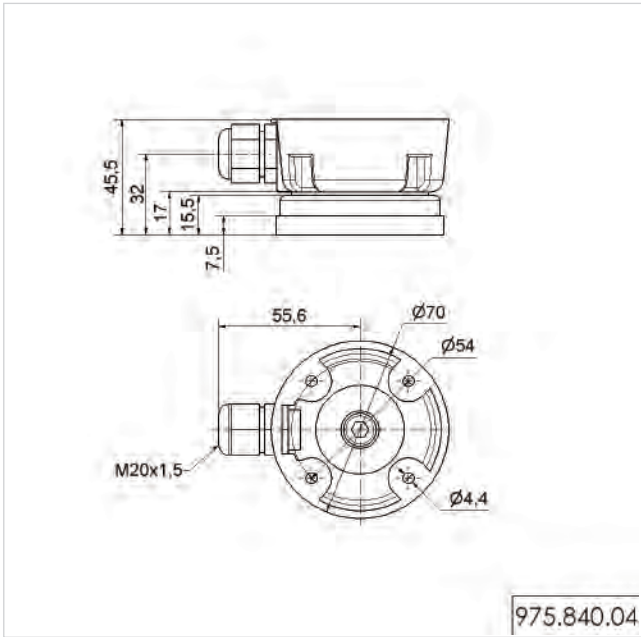
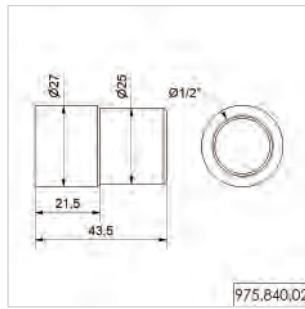
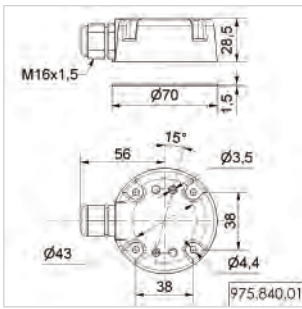


! ADDITIONAL INFORMATION:

You are welcome to request the technical diagrams in digital form. The relevant 3D models, instruction leaflets and connection diagrams can be obtained from us or downloaded from our homepage at any time.

Technical Diagrams





! ADDITIONAL INFORMATION:

You are welcome to request the technical diagrams in digital form. The relevant 3D models, instruction leaflets and connection diagrams can be obtained from us or downloaded from our homepage at any time.

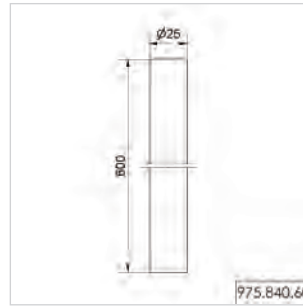
Technical Diagrams



975.840.25



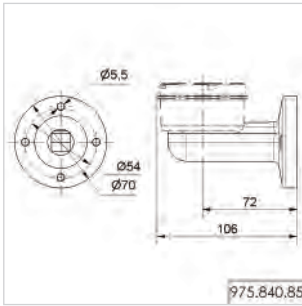
975.840.40



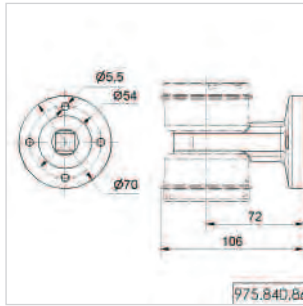
975.840.60



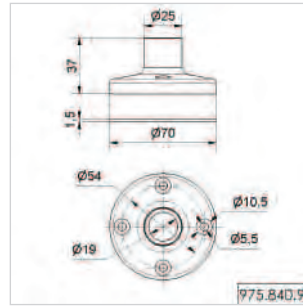
975.840.80



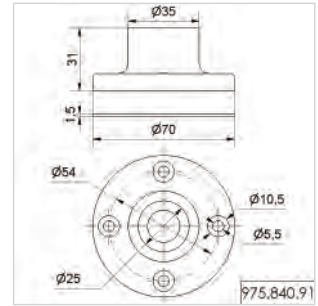
975.840.85



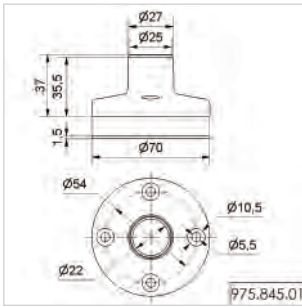
975.840.86



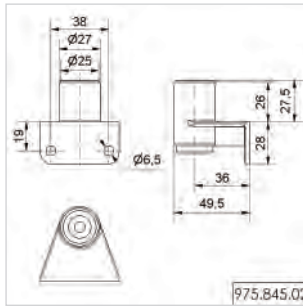
975.840.90



975.840.91



975.845.01



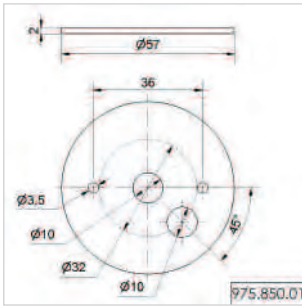
975.845.02



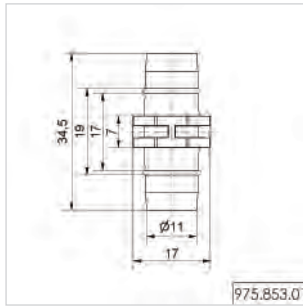
975.845.03



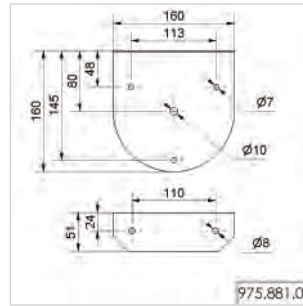
975.845.10



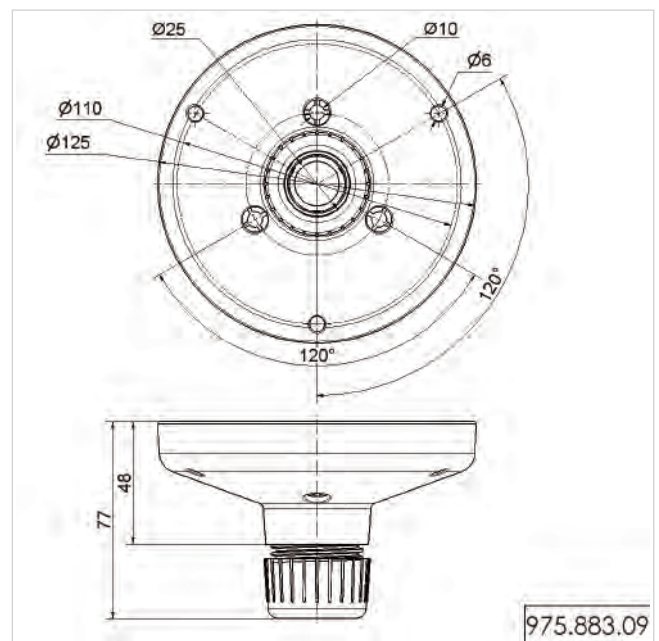
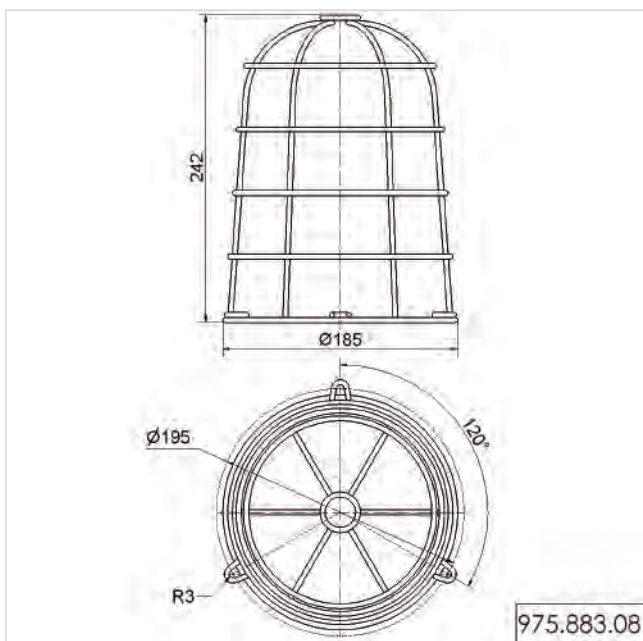
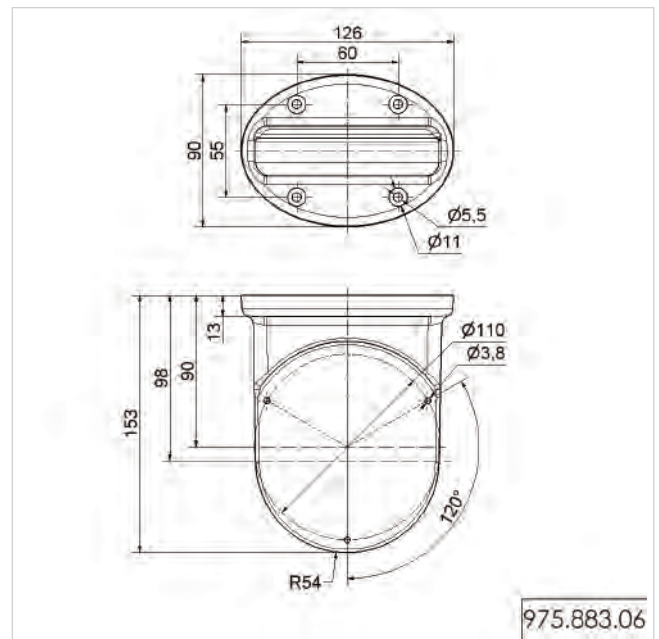
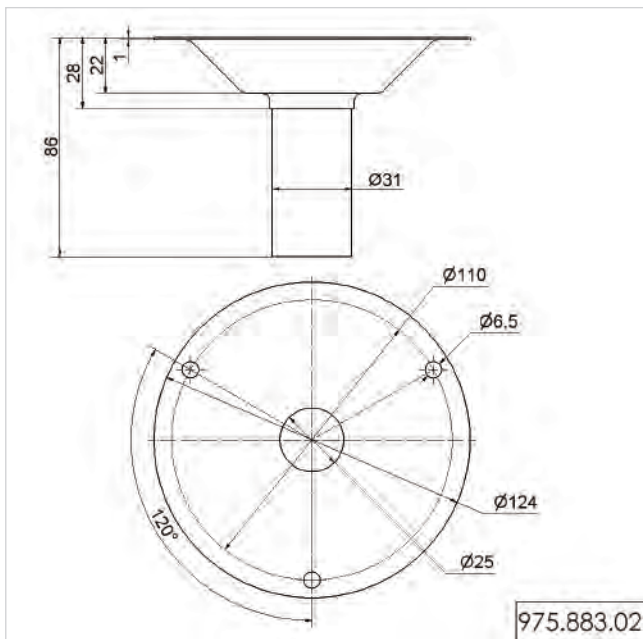
975.850.01



975.853.01



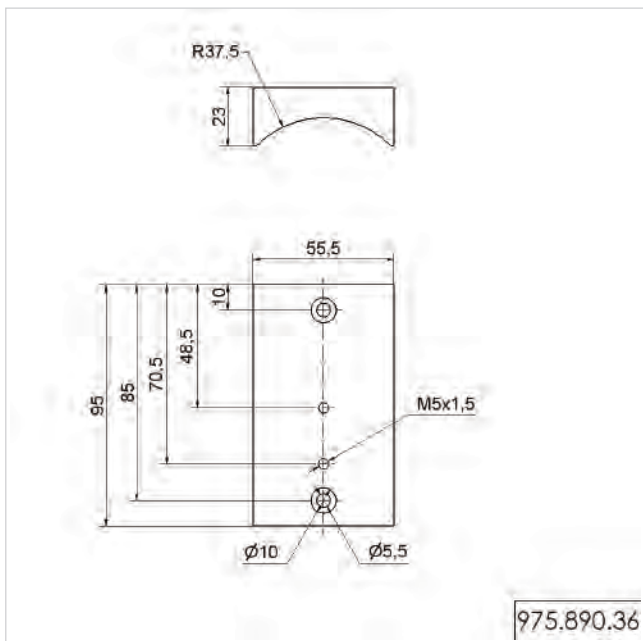
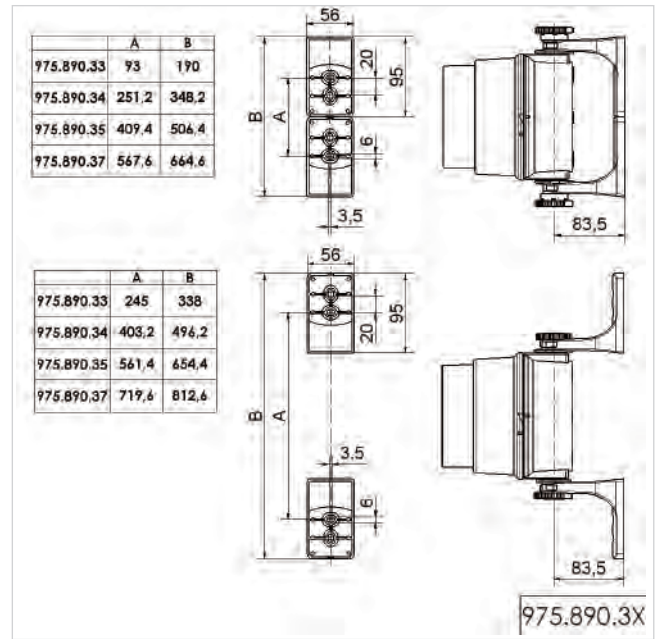
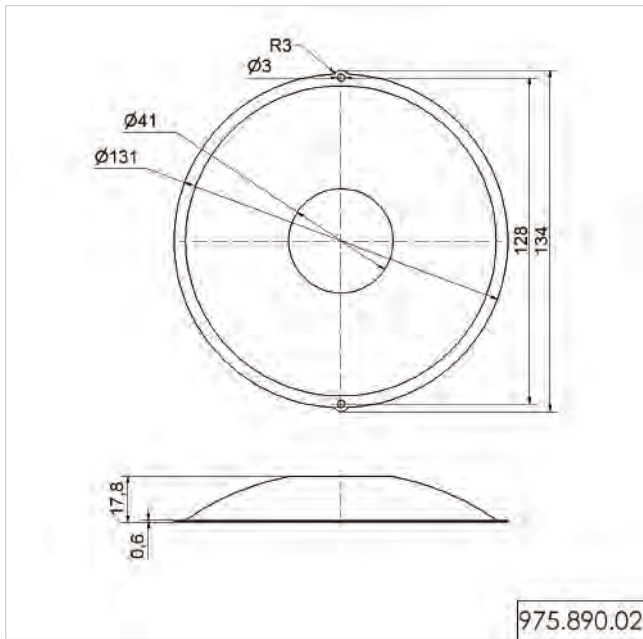
975.881.01

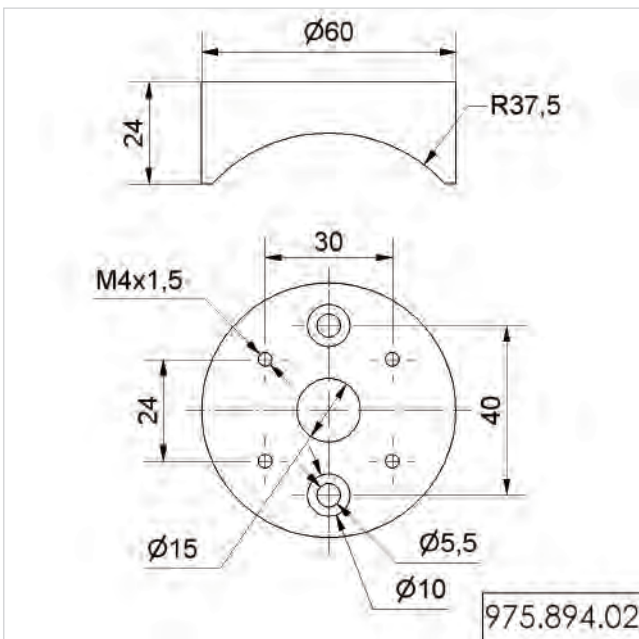
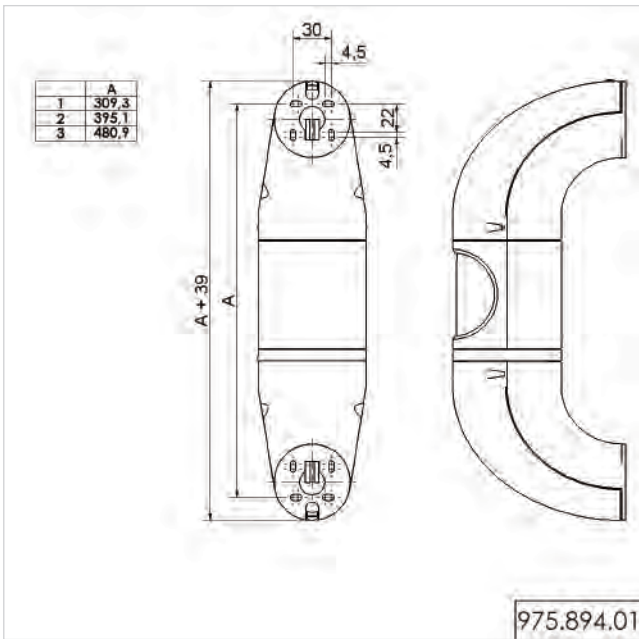


! ADDITIONAL INFORMATION:

You are welcome to request the technical diagrams in digital form. The relevant 3D models, instruction leaflets and connection diagrams can be obtained from us or downloaded from our homepage at any time.

Technical Diagrams





ADDITIONAL INFORMATION:

You are welcome to request the technical diagrams in digital form. The relevant 3D models, instruction leaflets and connection diagrams can be obtained from us or downloaded from our homepage at any time.