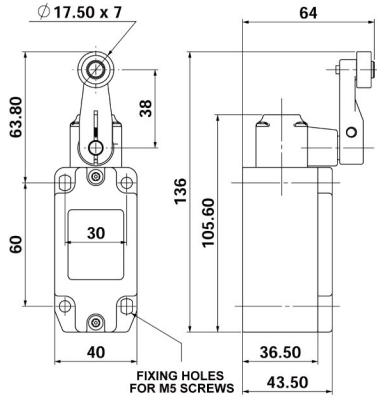
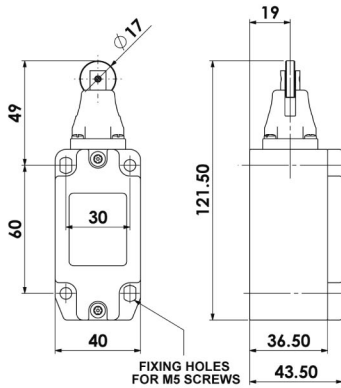
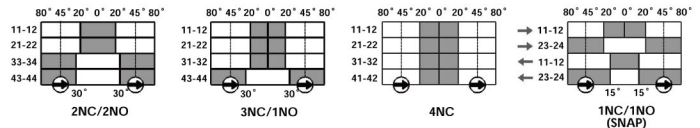


Safety Limit Switches - Type: HLM EN 50041



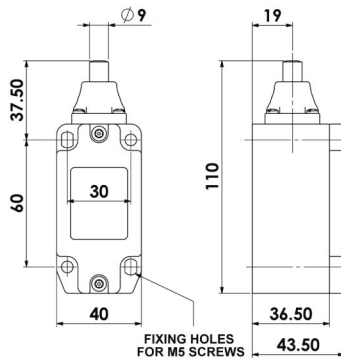
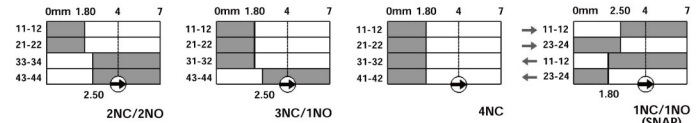
HLM Short Roller Lever	Sales Numbers		
	M20	1/2"NPT	QC M23
2NC 2NO	174001	174002	174003
3NC 1NO	174004	174005	174006
4NC	174007	174008	174009
1NC 1NO Snap	174010	174011	174012
1NC 1NO EX	174013	3m. 4 core	Ex
2NC EX	174014	3m. 4 core	Ex
2NC 2NO EX	174015	3m. 8 core	Ex

Gold Plated Contacts available for low power circuits (5V. 5mA).
Add GC to Part Number e.g. 174001-GC



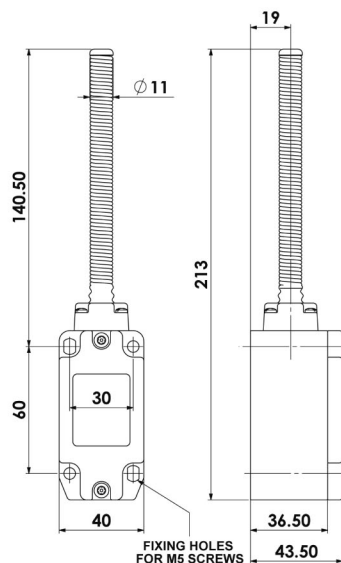
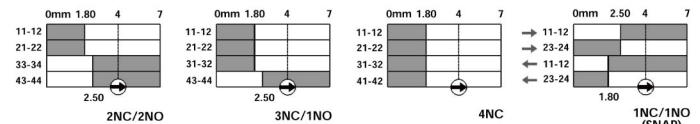
HLM Roller Plunger	Sales Numbers		
	M20	1/2"NPT	QC M12
2NC 2NO	174051	174052	174053
3NC 1NO	174054	174055	174056
4NC	174057	174058	174059
1NC 1NO Snap	174060	174061	174062
1NC 1NO EX	174063	3m. 4 core	Ex
2NC EX	174064	3m. 4 core	Ex
2NC 2NO EX	174065	3m. 4 core	Ex

Gold Plated Contacts available for low power circuits (5V. 5mA).
Add GC to Part Number e.g. 174051-GC



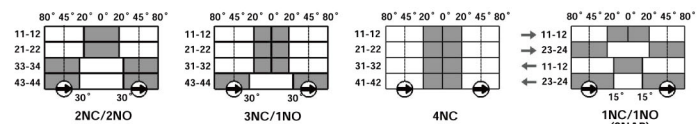
HLM Pin Plunger	Sales Numbers		
	M20	1/2"NPT	QC M12
2NC 2NO	174101	174102	174103
3NC 1NO	174104	174105	174106
4NC	174107	174108	174109
1NC 1NO Snap	174110	174111	174112
1NC 1NO EX	174113	3m. 4 core	Ex
2NC EX	174114	3m. 4 core	Ex
2NC 2NO EX	174115	3m. 8 core	Ex

Gold Plated Contacts available for low power circuits (5V. 5mA).
Add GC to Part Number e.g. 174101-GC



HLM Spring Lever	Sales Numbers		
	M20	1/2"NPT	QC M12
2NC 2NO	174151	174152	174153
3NC 1NO	174154	174155	174156
4NC	174157	174158	174159
1NC 1NO Snap	174160	174161	174162
1NC 1NO EX	174163	3m. 4 core	Ex
2NC EX	174164	3m. 4 core	Ex
2NC 2NO EX	174165	3m. 8 core	Ex

Gold Plated Contacts available for low power circuits (5V. 5mA).
Add GC to Part Number e.g. 174151-GC



Safety Limit Switches - Type: HLM HLM-SS EN 50041



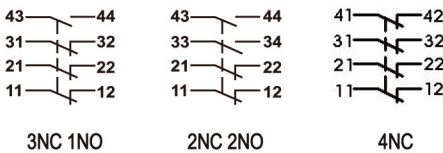
Features:

- Heavy Duty Die Cast or Stainless Steel 316 Bodies
- Industry Standard Mounting to EN 50041
- Positive opening NC safety contact to IEC 60947-5-1
- Choice of actuator heads Linear and Rotary
- High Mechanical Life 5,000,000 cycles
- HLM Die Cast Housing IP67
- HLM-SS Stainless Steel IP69K

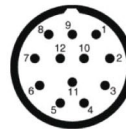
Applications:

IDEM Safety Limit switches are designed to be mounted for position sensing of moving applications e.g. guard doors, conveyors, machine beds, elevators. They are available with linear plungers, rotary levers or roller plungers and either slow or snap action contacts.

Contact blocks provide positively operated safety contacts to IEC 60947-5-1 with optional Explosion proof versions.



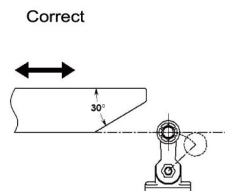
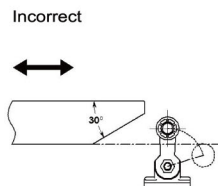
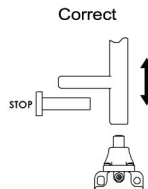
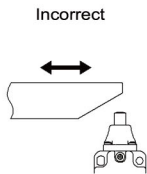
Quick Connect
Pin view from switch



Quick Connect (QC) M23 12 way Male (connector Length 26mm) (Pin view from switch)		Switch Circuit
1 3		11 / 12
4 6		21 / 22
7 8		33 / 34 or 31 / 32
9 10		41 / 42 or 43 / 44
12		Earth

Operation:

Operation of the switches is achieved by a sliding actuation of the moving object to cause deflection of the switch plungers or levers. For safety applications it is important that the moving object does not pass completely over the switch actuators so as to either cause damage to the actuator or allow it to return to its original position.

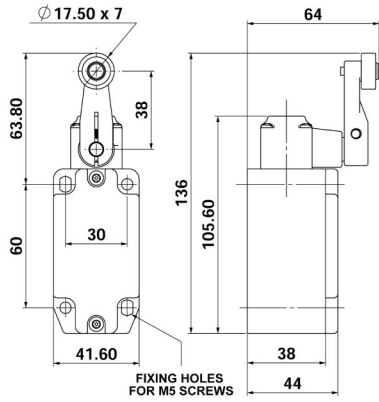


Technical Specification:

Conforming to standards	EN1088 IEC 60947-5-1 UL508 EN50041
Positive Opening Operation	NC Contacts
Utilization Category	AC15 A300 240V. 3A.
Min Current	5V, 5mA, DC
Thermal Current (Ith)	10A
Rated Insulation Voltage	300VAC
Rated Impulse Withstand Volt	2500VAC
Max. Switching Speed	250mm/s
Max. Switching Frequency	6,000 operation per hour

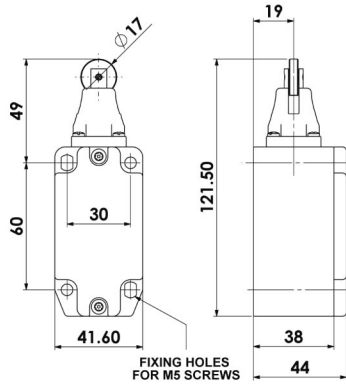
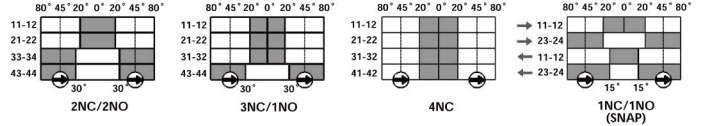
Case Material	HLM (Die Cast Painted Red) HLM-SS (Stainless Steel 316)
Enclosure Protection	HLM IP67 HLM-SS IP67 / IP69K
Operating Temperature	Min. -25°C Max 80°C
Mechanical Life Expectancy	5 x 10 ⁶ Cycle min.
Electrical Life Expectancy at full load	100,000 Cycle min.
Vibration	IEC 68-2-6, 10-55Hz 0.35mm
Conductor size	1.5 sq.mm
Fixing	M5 Bolts

Safety Limit Switches - Type: HLM-SS EN 50041



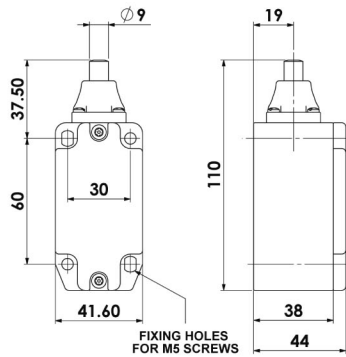
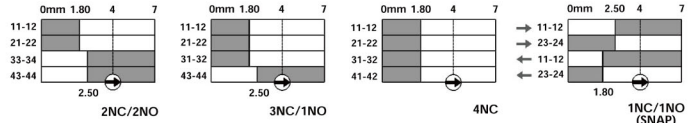
HLM-SS Short Roller Lever Sales Numbers			
	M20	½"NPT	QC M23
2NC 2NO	175001	175002	175003
3NC 1NO	175004	175005	175006
4NC	175007	175008	175009
1NC 1NO Snap	175010	175011	175012
1NC 1NO EX	175013	3m. 4 core	Ex
2NC EX	175014	3m. 4 core	Ex
2NC 2NO EX	175015	3m. 8 core	Ex

Gold Plated Contacts available for low power circuits (5V. 5mA).
Add GC to Part Number e.g. 175001-GC



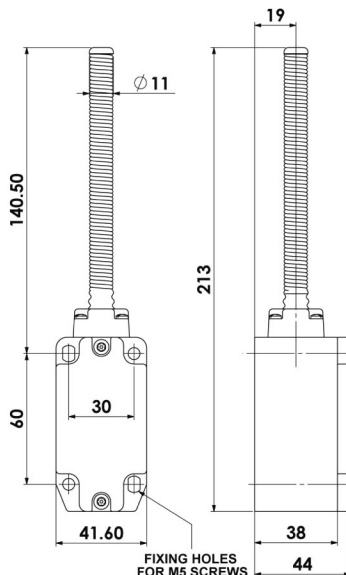
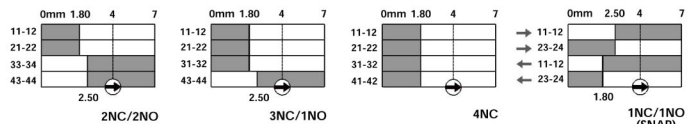
HLM-SS Roller Plunger Sales Numbers			
	M20	½"NPT	QC M12
2NC 2NO	175051	175052	175053
3NC 1NO	175054	175055	175056
4NC	175057	175058	175059
1NC 1NO Snap	175060	175061	175062
1NC 1NO EX	175063	3m. 4 core	Ex
2NC EX	175064	3m. 4 core	Ex
2NC 2NO EX	175065	3m. 4 core	Ex

Gold Plated Contacts available for low power circuits (5V. 5mA).
Add GC to Part Number e.g. 175051-GC



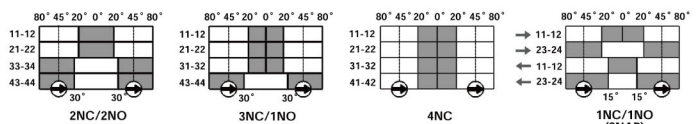
HLM-SS Pin Plunger Sales Numbers			
	M20	½"NPT	QC M12
2NC 2NO	175101	175102	175103
3NC 1NO	175104	175105	175106
4NC	175107	175108	175109
1NC 1NO Snap	175110	175111	175112
1NC 1NO EX	175113	3m. 4 core	Ex
2NC EX	175114	3m. 4 core	Ex
2NC 2NO EX	175115	3m. 8 core	Ex

Gold Plated Contacts available for low power circuits (5V. 5mA).
Add GC to Part Number e.g. 175101-GC



HLM-SS Spring Lever Sales Numbers			
	M20	½"NPT	QC M12
2NC 2NO	175151	175152	175153
3NC 1NO	175154	175155	175156
4NC	175157	175158	175159
1NC 1NO Snap	175160	175161	175162
1NC 1NO EX	175163	3m. 4 core	Ex
2NC EX	175164	3m. 4 core	Ex
2NC 2NO EX	175165	3m. 8 core	Ex

Gold Plated Contacts available for low power circuits (5V. 5mA).
Add GC to Part Number e.g. 175151-GC



Safety Limit Switches - Type: HLM HLM-SS EN 50041



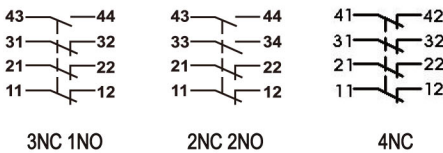
Features:

- Heavy Duty Die Cast or Stainless Steel 316 Bodies
- Industry Standard Mounting to EN 50041
- Positive opening NC safety contact to IEC 60947-5-1
- Choice of actuator heads Linear and Rotary
- High Mechanical Life 5,000,000 cycles
- HLM Die Cast Housing IP67
- HLM-SS Stainless Steel IP69K

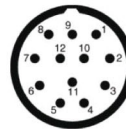
Applications:

IDEM Safety Limit switches are designed to be mounted for position sensing of moving applications e.g. guard doors, conveyors, machine beds, elevators. They are available with linear plungers, rotary levers or roller plungers and either slow or snap action contacts.

Contact blocks provide positively operated safety contacts to IEC 60947-5-1 with optional Explosion proof versions.



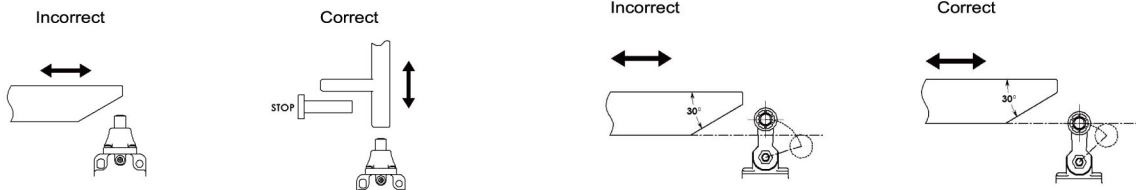
Quick Connect
Pin view from switch



Quick Connect (QC) M23 12 way Male (connector Length 26mm) (Pin view from switch)		Switch Circuit
1 3		11 / 12
4 6		21 / 22
7 8		33 / 34 or 31 / 32
9 10		41 / 42 or 43 / 44
12		Earth

Operation:

Operation of the switches is achieved by a sliding actuation of the moving object to cause deflection of the switch plungers or levers. For safety applications it is important that the moving object does not pass completely over the switch actuators so as to either cause damage to the actuator or allow it to return to its original position.

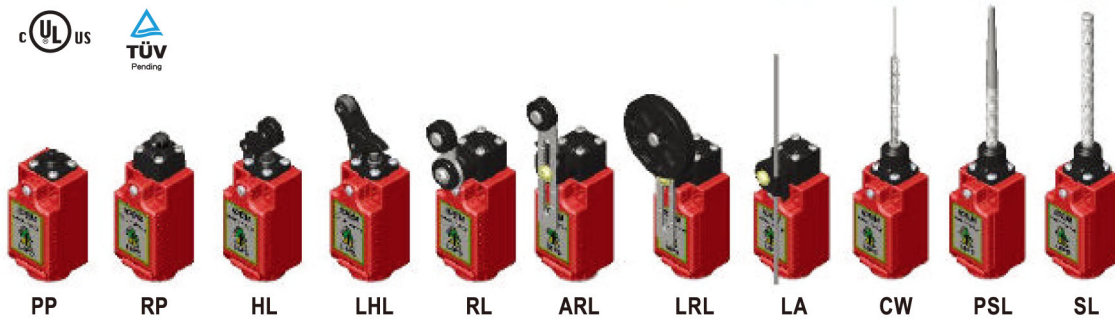


Technical Specification:

Conforming to standards	EN1088 IEC 60947-5-1 UL508 EN50041
Positive Opening Operation	NC Contacts
Utilization Category	AC15 A300 240V. 3A.
Min Current	5V, 5mA, DC
Thermal Current (Ith)	10A
Rated Insulation Voltage	300VAC
Rated Impulse Withstand Volt	2500VAC
Max. Switching Speed	250mm/s
Max. Switching Frequency	6,000 operation per hour

Case Material	HLM (Die Cast Painted Red) HLM-SS (Stainless Steel 316)
Enclosure Protection	HLM IP67 HLM-SS IP67 / IP69K
Operating Temperature	Min. -25°C Max 80°C
Mechanical Life Expectancy	5 x 10 ⁶ Cycle min.
Electrical Life Expectancy at full load	100,000 Cycle min.
Vibration	IEC 68-2-6, 10-55Hz 0.35mm
Conductor size	1.5 sq.mm
Fixing	M5 Bolts

Safety Limit Switches - Type LSPS EN 50047 - Plastic Body



Features:

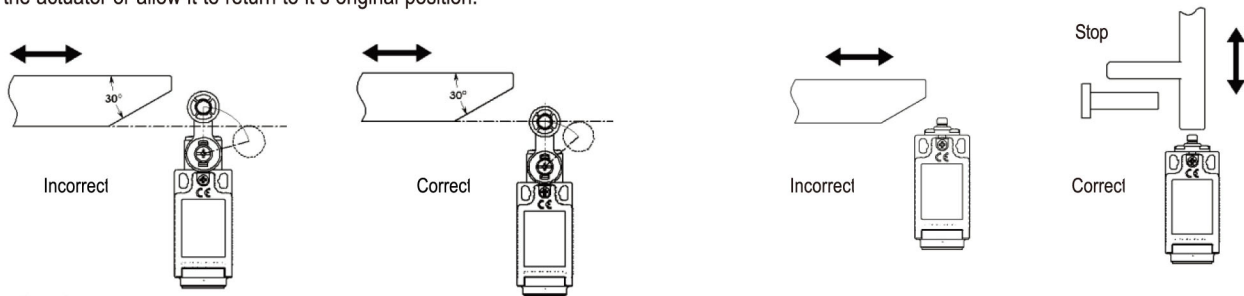
- Positive opening safety contacts to IEC 60947-5-1
- Choice of 11 actuator heads Linear, Rotary and Flexible actions
- High Mechanical Life - 10,000,000 cycles
- Head position adjustment any of 4 positions
- Enclosure Protected to IP 67 - washdown suitable
- Conduit entries: M20 ½" NPT or Quick connect

Application:

IDEM Safety Limit switches are designed to be mounted for position sensing of moving applications e.g. guard doors, conveyors, machine beds, elevators. They are available with linear plungers, rotary levers or roller plungers and either slow or snap action contacts.

Operation:

Operation of the switches is achieved by a sliding actuation of the moving object to cause deflection of the switch plungers or levers. For safety applications it is important that the moving object does not pass completely over the switch actuators so as to either cause damage to the actuator or allow it to return to its original position.



Standards EN1088 IEC 60947-5-1 EN62024-1
ISO 13849-1 EN62061 EN 954-1 UL508

Safety Classification and Reliability Data:

Mechanical Reliability B10d	2.5 x 10 ⁶ operations at 100mA load
EN 954-1	up to Category 4 with Safety Relay
ISO 13849-1	up to PLe depending upon system architecture
EN 62061	up to SIL3 depending upon system architecture
Safety Data - Annual Usage	8 cycles per hour / 24 hours per day / 365 days
PFHd	3.44 x 10 ⁻⁶
Proof Test Interval (Life)	35 years
MTTFd	356 years
Utilization Category	AC15 A300 240V. 3A.
Thermal Current (Ith)	10A
Rated Insulation Voltage	300VAC
Rated Impulse Withstand Volt	2500VAC
Insulation Resistance	100MΩmin.
Max. Switching Speed	250mm/s
Case Material	UL approved glass-filled polyester
Roller Material	Various Polymers
Enclosure Protection	IP67
Operating Temperature	Min. -25°C Max 80°C
Vibration	IEC 68-2-6, 10-55Hz 0.35mm, 1 octave/min
Conduit Entry	M20 or ½ NPT

Actuator types:

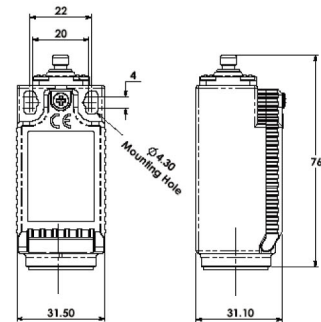
PP:	Pin plunger	M – M20	2NC 1NO
RP:	Roller plunger	N – ½NPT	3NC
HL:	Hinge lever	Q – Quick connect	1NC 1NO Snap
LHL:	Lona Hinae lever		
RL :	Roller lever		
ARL:	Adjustable Roller Lever		
LRL:	Large Roller Lever		
LA:	Lever Arm		
CW:	Cats Whisker		
PSL:	Plastic Spring Lever		
SL:	Spring Lever		

Conduit entry

Contacts

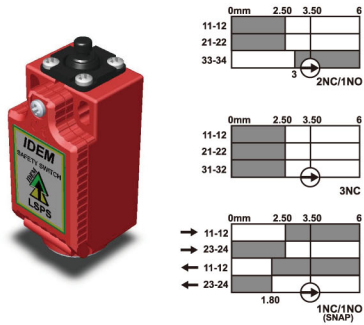
Contact Blocks :

2NC	1NO	Slow break
3NC		Slow break
1NC	1NO	Snap action



Outline fixing dimensions mm

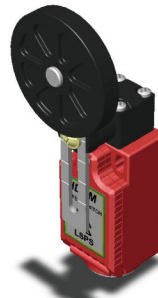
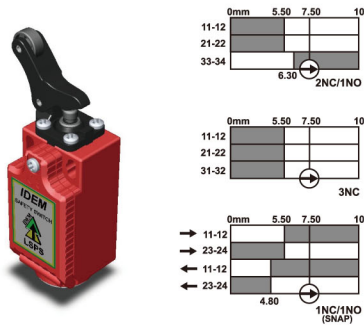
Safety Limit Switches - Type: LSPS EN 50047 - Plastic Body



Sales Numbers		Pin Plunger	
Contacts	M20	½"NPT	QC
2NC 1NO	171001	171002	171003
3NC	171004	171005	171006
1NC 1NO Snap	171007	171008	171009

Sales Numbers		Roller Plunger	
Contacts	M20	½"NPT	QC
2NC 1NO	171010	171011	171012
3NC	171013	171014	171015
1NC 1NO Snap	171016	171017	171018

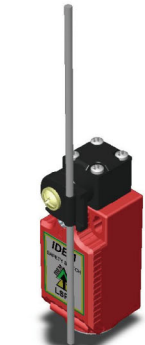
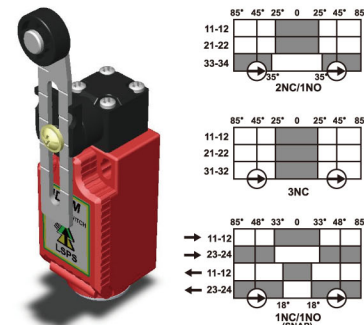
Sales Numbers		Hinge Lever	
Contacts	M20	½"NPT	QC
2NC 1NO	171019	171020	171021
3NC	171022	171023	171024
1NC 1NO Snap	171025	171026	171027



Sales Numbers		Long Hinge Lever	
Contacts	M20	½"NPT	QC
2NC 1NO	171028	171029	171030
3NC	171031	171032	171033
1NC 1NO Snap	171034	171035	171036

Sales Numbers		Roller Lever	
Contacts	M20	½"NPT	QC
2NC 1NO	171037	171038	171039
3NC	171040	171041	171042
1NC 1NO Snap	171043	171044	171045

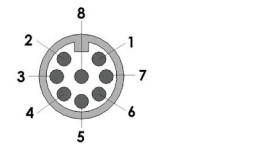
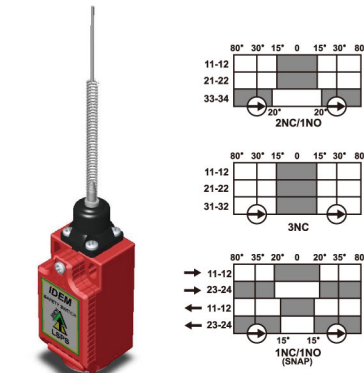
Sales Numbers		Large Roller Lever	
Contacts	M20	½"NPT	QC
2NC 1NO	171046	171047	171048
3NC	171049	171050	171051
1NC 1NO Snap	171052	171053	171054



Sales Numbers		Adjustable Roller Lever	
Contacts	M20	½"NPT	QC
2NC 1NO	171055	171056	171057
3NC	171058	171059	171060
1NC 1NO Snap	171061	171062	171063

Sales Numbers		Lever Arm	
Contacts	M20	½"NPT	QC
2NC 1NO	171064	171065	171066
3NC	171067	171068	171069
1NC 1NO Snap	171070	171071	171072

Sales Numbers		Spring Lever	
Contacts	M20	½"NPT	QC
2NC 1NO	171091	171092	171093
3NC	171094	171095	171096
1NC 1NO Snap	171097	171098	171099



Switch Circuit	Quick Connect (QC) M12 8 Way Male (on Flying Lead 250mm) Pin view from switch
11 / 12	1 7
21 / 22	6 5
33 / 34 or 31 / 32	4 3

Sales Numbers		Cats Whisker	
Contacts	M20	½"NPT	QC
2NC 1NO	171073	171074	171075
3NC	171076	171077	171078
1NC 1NO Snap	171079	171080	171081

Sales Numbers		Plastic Spring Lever	
Contacts	M20	½"NPT	QC
2NC 1NO	171082	171083	171084
3NC	171085	171086	171087
1NC 1NO Snap	171088	171089	171090



Gold Plated Contacts available for low power circuits (5V. 5mA).
Add GC to Part Number e.g. 171001-GC

Safety Limit Switches EN 50047 Plastic Body with Reset – Type: LSPS-R



Features:

- Lockable head mechanism
- Requires manual reset after the lock is engaged
- Positive opening safety contacts to IEC 60947-5-1
- Choice of 8 actuator heads Linear or Rotary actions
- Head position adjustment any of 4 positions
- Enclosure Protected to IP 67 - washdown suitable
- Conduit entries: M20 1/2" NPT or Quick connect

Actuator types:

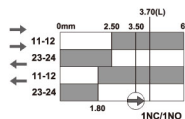
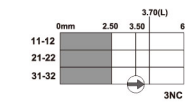
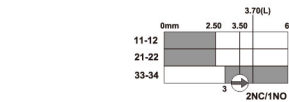
- PP-R: Pin plunger
- RP-R: Roller plunger
- HL-R: Hinge lever
- LHL-R: Long Hinge lever
- RL-R: Roller lever
- ARL-R: Adjustable Roller Lever
- LRL-R: Large Roller Lever
- LA-R: Lever Arm

Conduit entry

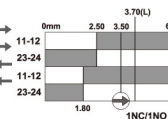
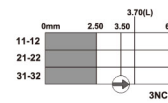
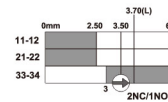
- M – M20
- N – 1/2" NPT
- Q – Quick connect

Contact Blocks :

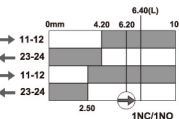
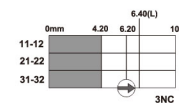
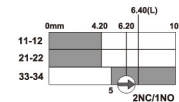
- 2NC 1NO Slow break
- 3NC Slow break
- 1NC 1NO Snap action



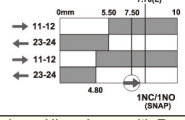
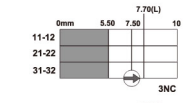
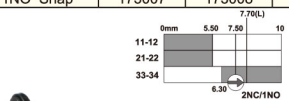
Sales Numbers Pin Plunger with Reset			
Contacts	M20	1/2"NPT	QC
2NC 1NO	173001	173002	173003
3NC	173004	173005	173006
1NC 1NO Snap	173007	173008	173009



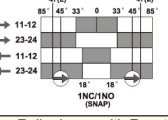
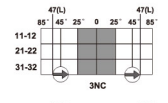
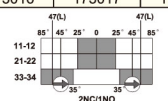
Sales Numbers Roller Plunger with Reset			
Contacts	M20	1/2"NPT	QC
2NC 1NO	173010	173011	173012
3NC	173013	173014	173015
1NC 1NO Snap	173016	173017	173018



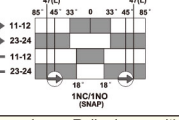
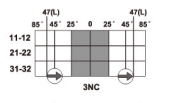
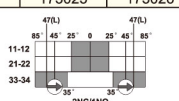
Sales Numbers Hinge Lever with reset			
Contacts	M20	1/2"NPT	QC
2NC 1NO	173019	173020	173021
3NC	173022	173023	173024
1NC 1NO Snap	173025	173026	173027



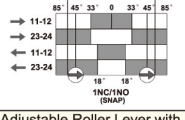
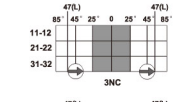
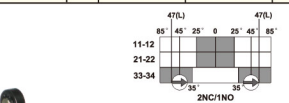
Sales Numbers Long Hinge Lever with Reset			
Contacts	M20	1/2"NPT	QC
2NC 1NO	173028	173029	173030
3NC	173031	173032	173033
1NC 1NO Snap	173034	173035	173036



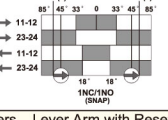
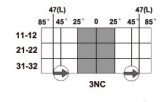
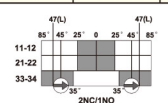
Sales Numbers Roller Lever with Reset			
Contacts	M20	1/2"NPT	QC
2NC 1NO	173037	173038	173039
3NC	173040	173041	173042
1NC 1NO Snap	173043	173044	173045



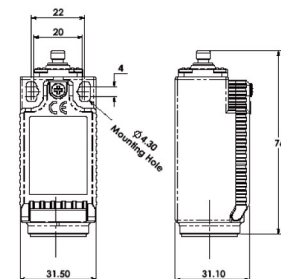
Sales Numbers Large Roller Lever with Reset			
Contacts	M20	1/2"NPT	QC
2NC 1NO	173046	173047	173048
3NC	173049	173050	173051
1NC 1NO Snap	173052	173053	173054



Sales Numbers Adjustable Roller Lever with Reset			
Contacts	M20	1/2"NPT	QC
2NC 1NO	173055	173056	173057
3NC	173058	173059	173060
1NC 1NO Snap	173061	173062	173063



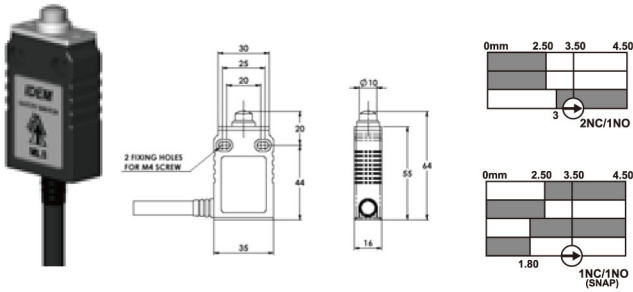
Sales Numbers Lever Arm with Reset			
Contacts	M20	1/2"NPT	QC
2NC 1NO	173064	173065	173066
3NC	173067	173068	173069
1NC 1NO Snap	173070	173071	173072



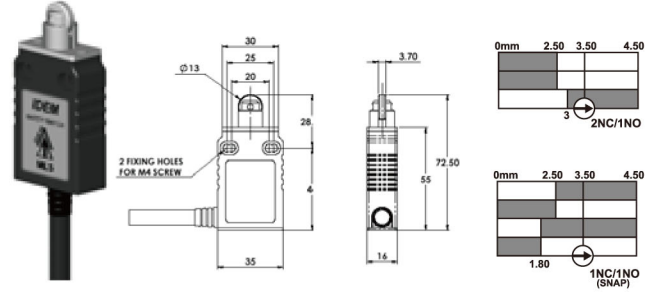
Outline fixing dimensions mm

Technical specification as LSPS

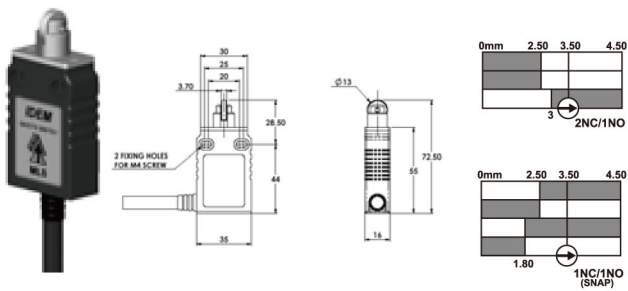
Safety Limit Switches - Type: LSMM - Metal Body



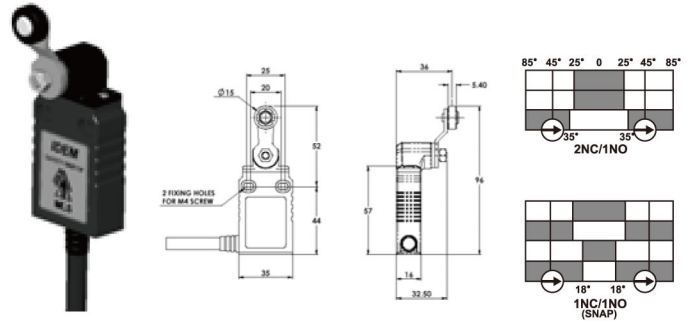
Pin Plunger Sales Numbers		
Contacts	Cable Side Exit	Cable End Exit
2NC 1NO	172001	172003
1NC 1NO Snap	172002	172004



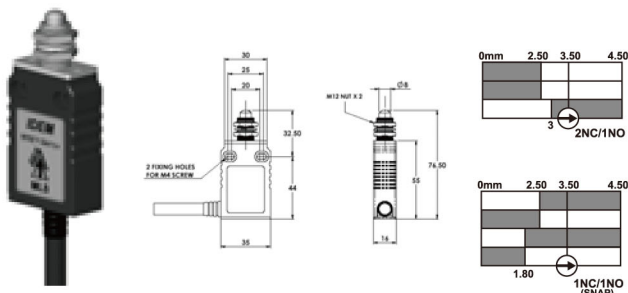
Roller Plunger Sales Numbers		
Contacts	Cable Side Exit	Cable End Exit
2NC 1NO	172005	172007
1NC 1NO Snap	172006	172008



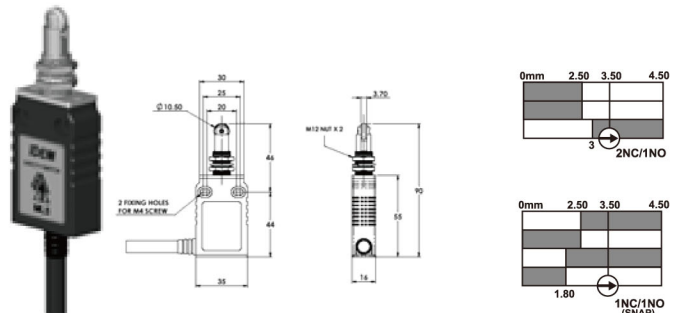
Cross Roller Plunger Sales Numbers		
Contacts	Cable Side Exit	Cable End Exit
2NC 1NO	172009	172010
1NC 1NO Snap	172011	172012



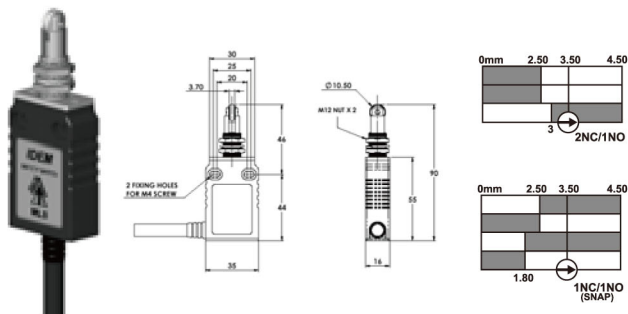
Roller Lever Sales Numbers		
Contacts	Cable Side Exit	Cable End Exit
2NC 1NO	172013	172014
1NC 1NO Snap	172015	172016



Panel Mount Pin Plunger Sales Numbers		
Contacts	Cable Side Exit	Cable End Exit
2NC 1NO	172017	172018
1NC 1NO Snap	172019	172020



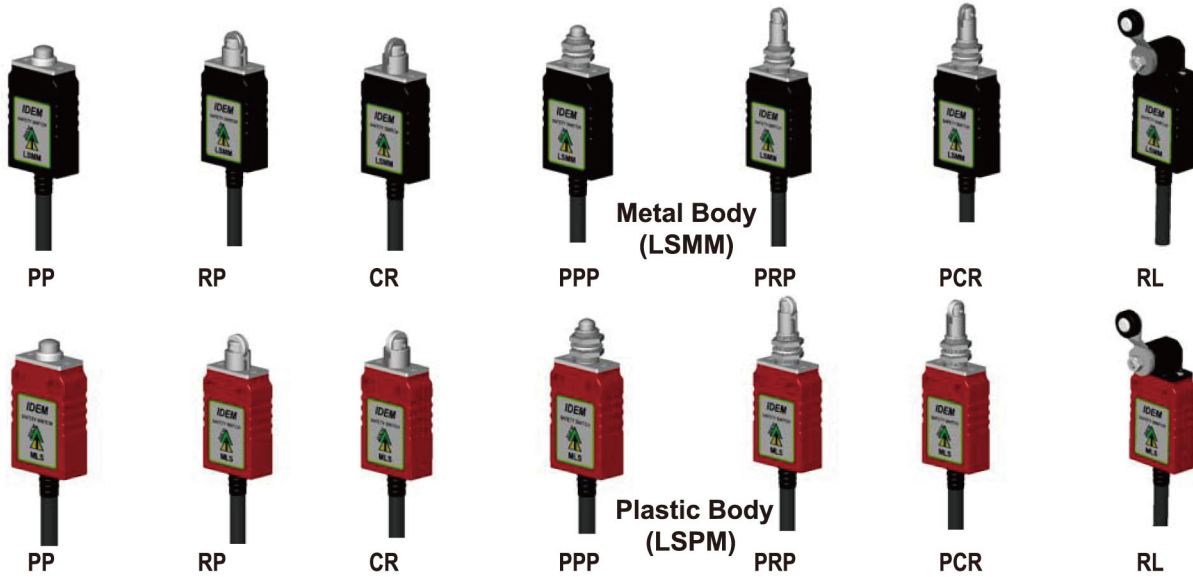
Panel Mount Roller Plunger Sales Numbers		
Contacts	Cable Side Exit	Cable End Exit
2NC 1NO	172021	172022
1NC 1NO Snap	172023	172024



Panel Mount Cross Roller Plunger Sales Numbers		
Contacts	Cable Side Exit	Cable End Exit
2NC 1NO	172025	172026
1NC 1NO Snap	172027	172028



Safety Limit Switches - Type: LSMM - LSPM



Features:

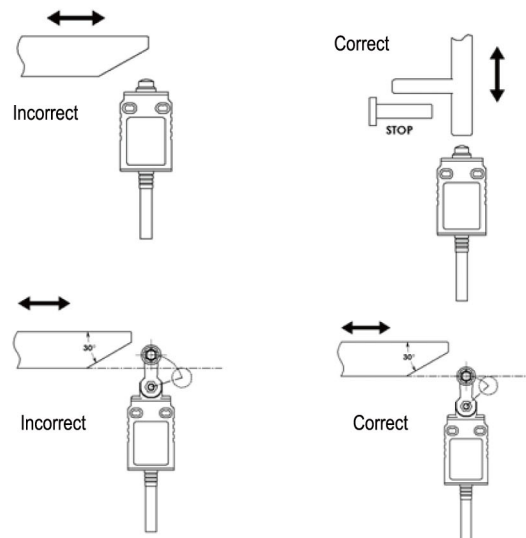
- Standard Duty Plastic body - red colour
- Heavy Duty Die Cast Metal Bodies - red colour
- Positive opening NC safety contacts to IEC 60947-5-1
- Unique 3 pole positively operated contacts
- Choice of 7 actuator heads Linear and Rotary
- High Mechanical Life 5,000,000 cycles
- Side or End cable exit
- Enclosure Protected to IP67 - wash down suitable
- Wide operating temperature -25C to 80C.
- Contact Blocks : 2NC 1NO Slow break
1NC 1NO Snap action

Application:

IDEM Safety Limit switches are designed to be mounted for position sensing of moving applications e.g. guard doors, conveyors, machine beds, elevators. They are available with linear plungers, rotary levers or roller plungers and either slow or snap action contacts.

Operation:

Operation of the switches is achieved by a sliding actuation of the moving object to cause deflection of the switch plungers or levers. For safety applications it is important that the moving object does not pass completely over the switch actuators so as to either cause damage to the actuator or allow it to return to its original position.



Actuator types:

- PP: Pin plunger
- RP: Roller plunger
- CR: Cross Roller Plunger
- RL: Roller Lever
- PPP: Panel Mount Pin Plunger
- PRP: Panel Mount Roller Plunger
- PCR: Panel Mount Cross Roller Plunger

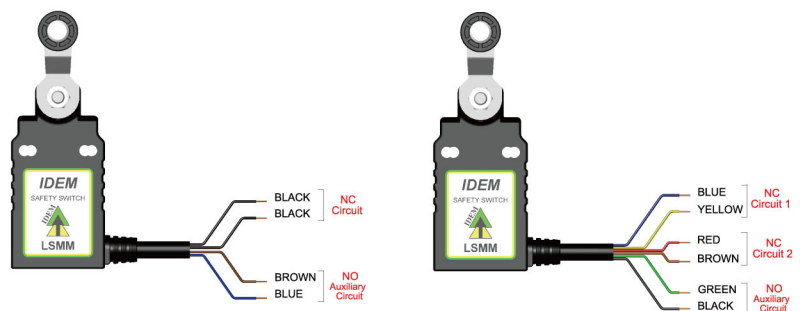
Cable exit:

- S- Side exit
- E- End exit

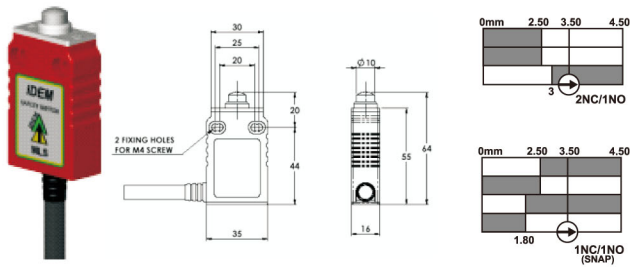
Contacts:

- 2NC 1NO
- 1NC 1NO Snap

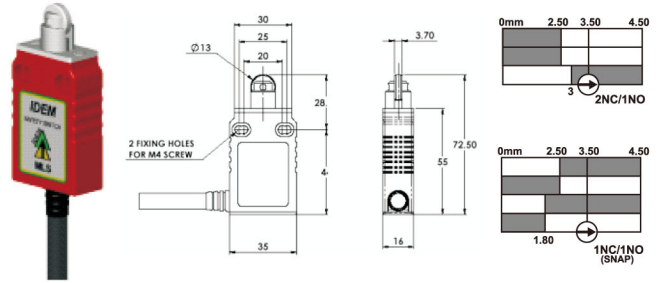
Standards	EN1088 IEC 60947-5-1 UL508
Approvals	cULus TUV
Utilization Category	AC15 A300 240V. 3A.
Thermal Current (Ith)	10A
Rated Insulation Voltage	300VAC
Rated Impulse Withstand Volt	2500VAC
Insulation Resistance	100MΩmin.
Max. Switching Speed	250mm/s
Max. Switching Frequency	6,000 operation per hour
Case Material	Die Cast Metal or Plastic
Roller Material	Various Polymers
Enclosure Protection	IP67
Operating Temperature	Min. -25°C Max 80°C
Mechanical Life Expectancy	5,000,000
Vibration	IEC 68-2-6, 10-55Hz 0.35mm, 1 octave/min
Conductor size	1.5 sq.mm 4 Core or 6 Core
Cable OD	8mm max.
Fixing	2 x M4
Cable Length	2 Meter



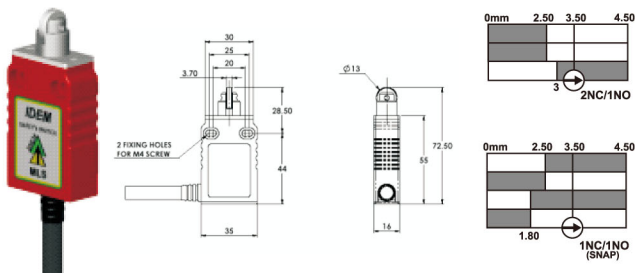
Safety Limit Switches - Type: LSPM - Plastic Body



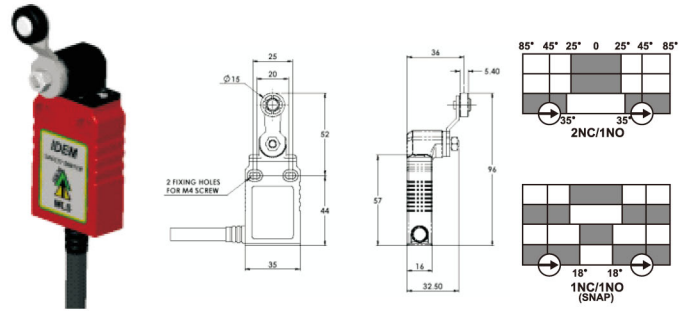
Pin Plunger Sales Numbers		
Contacts	Cable Side Exit	Cable End Exit
2NC 1NO	170001	170003
1NC 1NO Snap	170002	170004



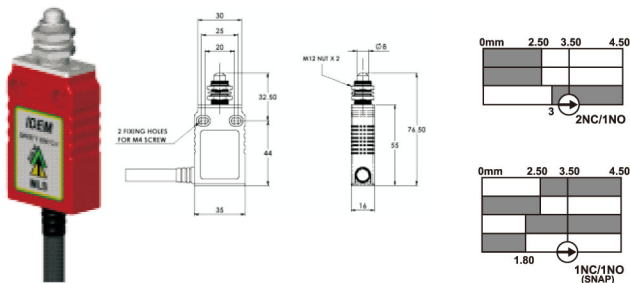
Roller Plunger Sales Numbers		
Contacts	Cable Side Exit	Cable End Exit
2NC 1NO	170005	170007
1NC 1NO Snap	170006	170008



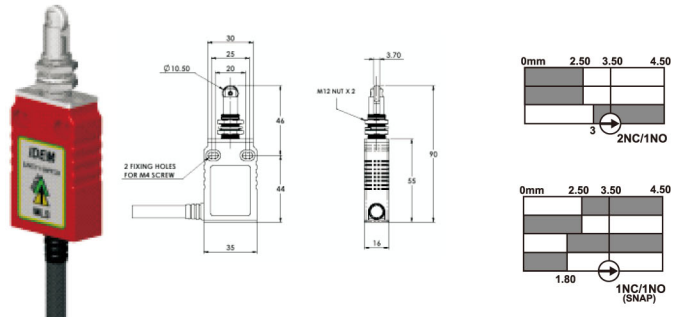
Cross Roller Plunger Sales Numbers		
Contacts	Cable Side Exit	Cable End Exit
2NC 1NO	170009	170010
1NC 1NO Snap	170011	170012



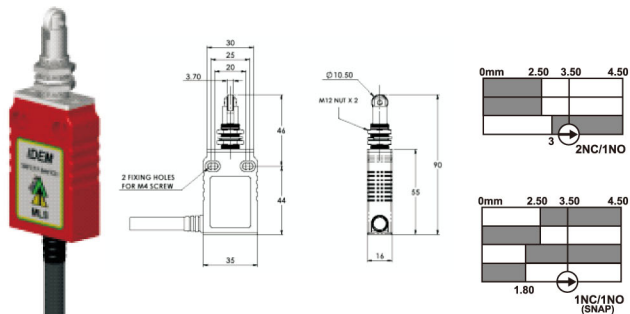
Roller Lever Sales Numbers		
Contacts	Cable Side Exit	Cable End Exit
2NC 1NO	170013	170014
1NC 1NO Snap	170015	170016



Panel Mount Pin Plunger Sales Numbers		
Contacts	Cable Side Exit	Cable End Exit
2NC 1NO	170017	170018
1NC 1NO Snap	170019	170020



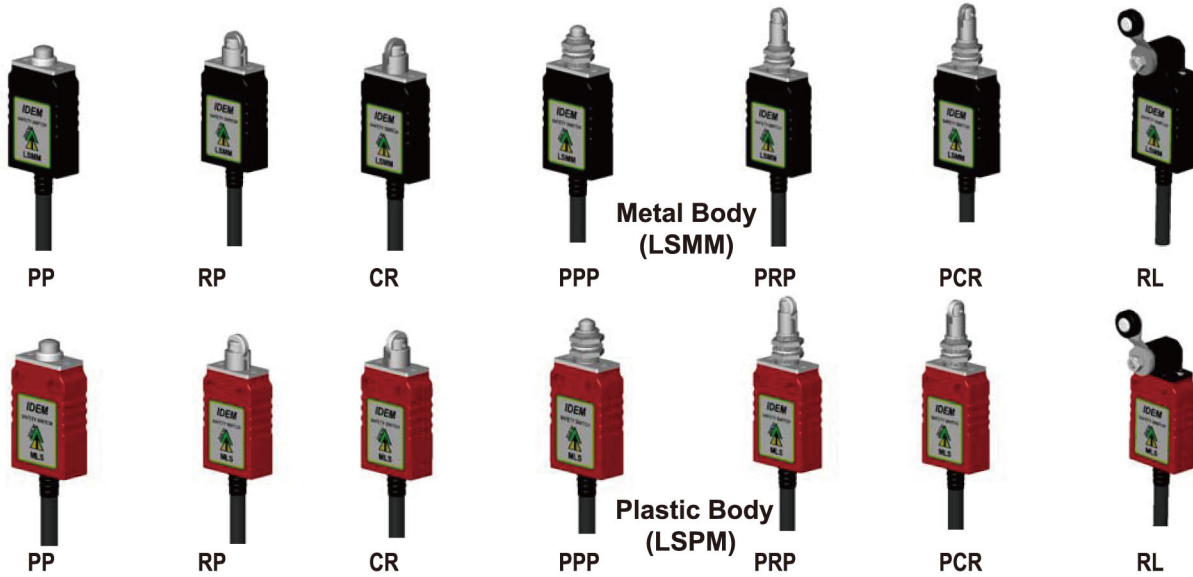
Panel Mount Roller Plunger Sales Numbers		
Contacts	Cable Side Exit	Cable End Exit
2NC 1NO	170021	170022
1NC 1NO Snap	170023	170024



Panel Mount Cross Roller Plunger Sales Numbers		
Contacts	Cable Side Exit	Cable End Exit
2NC 1NO	170025	170026
1NC 1NO Snap	170027	170028



Safety Limit Switches - Type: LSMM - LSPM



Features:

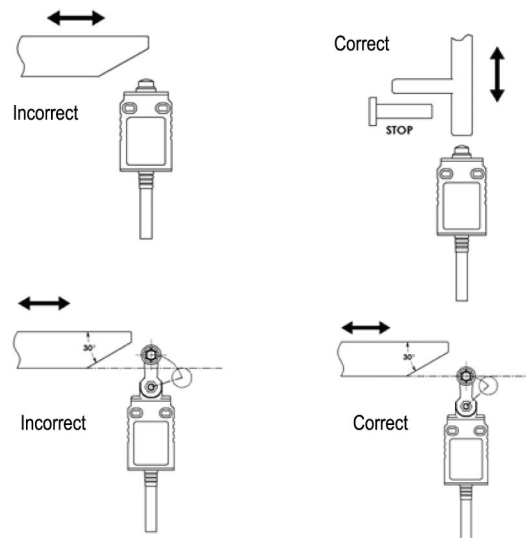
- Standard Duty Plastic body - red colour
- Heavy Duty Die Cast Metal Bodies - red colour
- Positive opening NC safety contacts to IEC 60947-5-1
- Unique 3 pole positively operated contacts
- Choice of 7 actuator heads Linear and Rotary
- High Mechanical Life 5,000,000 cycles
- Side or End cable exit
- Enclosure Protected to IP67 - wash down suitable
- Wide operating temperature -25C to 80C.
- Contact Blocks : 2NC 1NO Slow break
1NC 1NO Snap action

Application:

IDEM Safety Limit switches are designed to be mounted for position sensing of moving applications e.g. guard doors, conveyors, machine beds, elevators. They are available with linear plungers, rotary levers or roller plungers and either slow or snap action contacts.

Operation:

Operation of the switches is achieved by a sliding actuation of the moving object to cause deflection of the switch plungers or levers. For safety applications it is important that the moving object does not pass completely over the switch actuators so as to either cause damage to the actuator or allow it to return to its original position.



Actuator types:

- PP: Pin plunger
- RP: Roller plunger
- CR: Cross Roller Plunger
- RL: Roller Lever
- PPP: Panel Mount Pin Plunger
- PRP: Panel Mount Roller Plunger
- PCR: Panel Mount Cross Roller Plunger

Cable exit:

- S- Side exit
- E- End exit

Contacts:

- 2NC 1NO
- 1NC 1NO Snap

Standards	EN1088 IEC 60947-5-1 UL508
Approvals	cULus TUV
Utilization Category	AC15 A300 240V. 3A.
Thermal Current (Ith)	10A
Rated Insulation Voltage	300VAC
Rated Impulse Withstand Volt	2500VAC
Insulation Resistance	100MΩmin.
Max. Switching Speed	250mm/s
Max. Switching Frequency	6,000 operation per hour
Case Material	Die Cast Metal or Plastic
Roller Material	Various Polymers
Enclosure Protection	IP67
Operating Temperature	Min. -25°C Max 80°C
Mechanical Life Expectancy	5,000,000
Vibration	IEC 68-2-6, 10-55Hz 0.35mm, 1 octave/min
Conductor size	1.5 sq.mm 4 Core or 6 Core
Cable OD	8mm max.
Fixing	2 x M4
Cable Length	2 Meter

