

# K13 Series



- 3/4" NPT
- Brass Body
- 3-Way Lever-Acting
- Universal



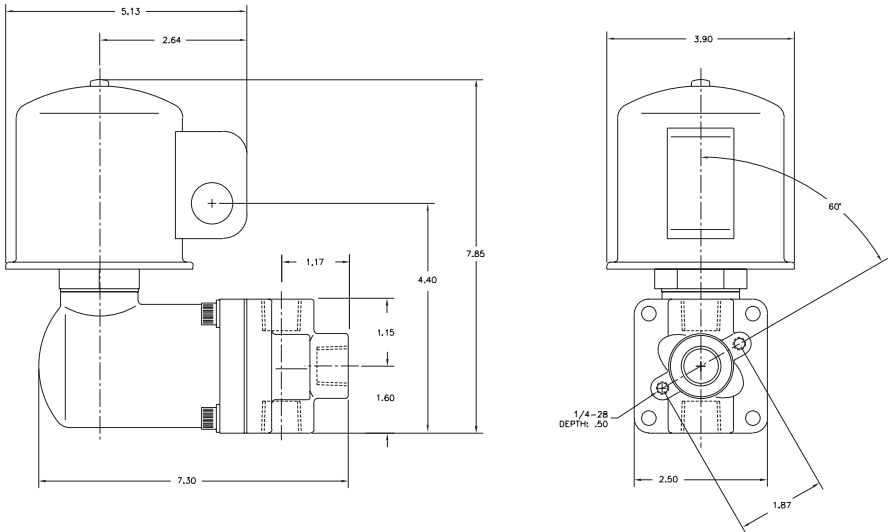
|                       |                       |  |
|-----------------------|-----------------------|--|
| Materials             | Seals:                | Stainless Steel  |
|                       | Orifices:             | Stainless Steel  |
| Electrical            | Standard Housing:     | Junction Box   |
|                       | Optional Housings:    | Conduit (NEMA)1, Watertight (NEMA 4)   |
|                       | Standard Voltages:    | 24, 120, 240 AC 60 Hz; 50 Hz available.<br>Contact GC Valves Customer Service for additional voltages. |
|                       | Voltage Tolerance:    | ±10% of applicable voltage   |
|                       | Coil Classes:         | F, H   |
|                       | Standard Lead Length: | 6 inch   |
| Operating Temperature | Ambient (Nominal):    | 32° to 125°F   |
| Mounting              | Position:             | Vertical Only  |
| Approvals*            | Agency:               | UL Listed  |

\* Not available for all variations

## Dimensions/Weight

**Weight (lbs.)**

8.8



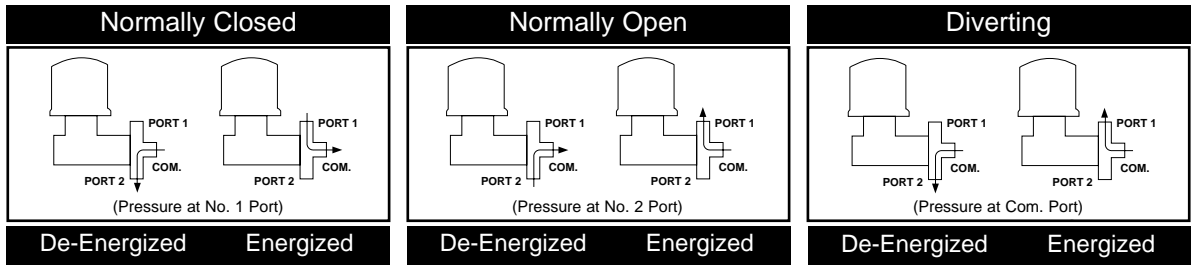
GC Valves Customer Service: 800-828-0484 (7:30am to 4pm ET) or 800-582-4232 (7:30am to 4pm PT)



# K13 – 3/4" NPT, Brass Body, Universal

## Valve Selection List

Universal



| Pipe Size<br>NPT | Orifice Size<br>IN | C <sub>v</sub> | Minimum | Operating Pressure Differential (psi) |    |           |    |                           |    | Max Fluid Temp.<br>°F | Power Consumption (Watts) |    | Coil Class | Model Code |                                    |
|------------------|--------------------|----------------|---------|---------------------------------------|----|-----------|----|---------------------------|----|-----------------------|---------------------------|----|------------|------------|------------------------------------|
|                  |                    |                |         | Maximum                               |    |           |    |                           |    |                       | AC                        | DC |            | F*         | ( 120V/60HZ — 110V/50HZ )<br>Shown |
|                  |                    |                |         | Water                                 |    | Light Oil |    | #5 and #6 Heated Fuel Oil |    |                       |                           |    |            |            |                                    |
|                  |                    |                |         | AC                                    | DC | AC        | DC | AC                        | DC | AC                    | DC                        |    | Brass Body |            |                                    |
| 3/4              | 1/8                | .25            | 0       | 275                                   | —  | 275       | —  | 275                       | —  | 250                   | 28                        | —  | F*         | K13DF1252  |                                    |
|                  | 3/16               | .58            | 0       | 125                                   | —  | 125       | —  | 125                       | —  | 250                   | 28                        | —  | F*         | K13DF1352  |                                    |
|                  | 1/4                | .85            | 0       | 100                                   | —  | 100       | —  | 100                       | —  | 250                   | 28                        | —  | F*         | K13DF1452  |                                    |
|                  | 13/32              | 1.27           | 0       | 25                                    | —  | 25        | —  | 25                        | —  | 250                   | 28                        | —  | F*         | K13DF1552  |                                    |

\* Class H Coil Recommended for High Temperature Applications

## Part Numbering

|  |          |          |             |                          |                    |   |                 |  |
|--|----------|----------|-------------|--------------------------|--------------------|---|-----------------|--|
| 1  | 2        | 3        | 4           | 5                        | 6                  | 7   | 8               | 9  |
| <b>K</b>   | <b>1</b> | <b>3</b> | <b>D</b>    | <b>F</b>                 | <b>1</b>           | <b>2</b>                                    | <b>5</b>        | <b>2</b>                                   |
| Series   |          |          | Body Size   | Housing*                 | Seal               | Orifice Size                                | Pipe Connection | Voltage*                                   |
| K13  |          |          | D: Standard | F: Class F<br>H: Class H | 1: Stainless Steel | 2: 1/8"<br>3: 3/16"<br>4: 1/4"<br>5: 13/32" | 5: 3/4"         | 2: 120/60<br>110/50<br>4: 240/60<br>220/50 |
| * See the "Engineering Guide" for additional voltages, variations and options. |          |          |             |                          |                    |   |                 |  |

## Coil Data

| Coil Family |      |
|-------------|------|
| Type        | Size |
| D           | C300 |

|                    |         |     |
|--------------------|---------|-----|
| Frequency (Hz)     | 60      | 50  |
| Nominal Power (VA) | Inrush  | 278 |
|                    | Holding | 72  |

GC Valves Customer Service: 800-828-0484 (7:30am to 4pm ET) or 800-582-4232 (7:30am to 4pm PT)