

# S20 Series



- 1/2" NPT
- Brass Body
- 3-Way Pilot Operated
- Normally Closed



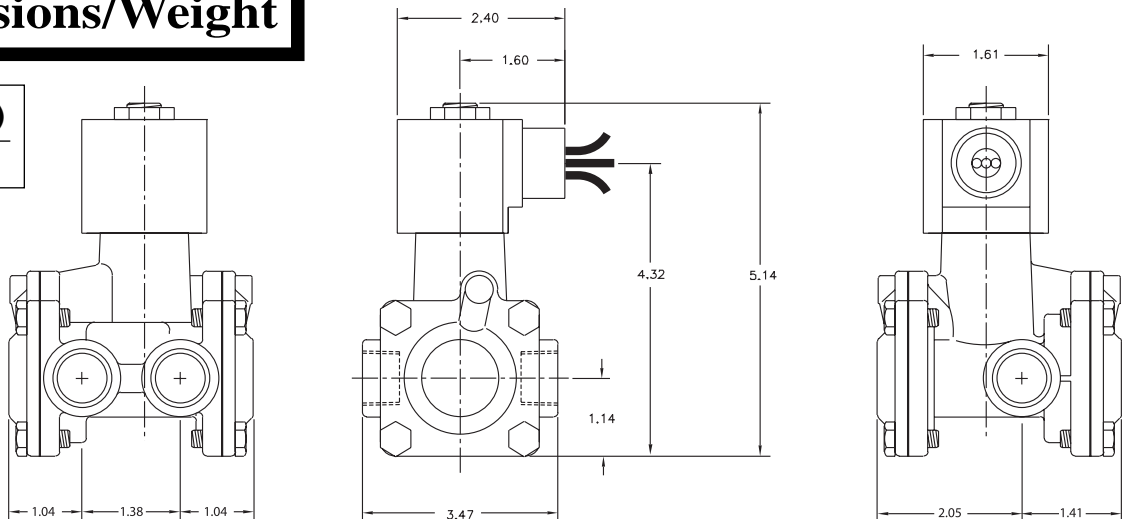
|                       |                       |   |
|-----------------------|-----------------------|---|
| Materials             | Seals:                | Nitrile, Viton®, Ethylene Propylene   |
|                       | Orifice:              | Pilot: Stainless Steel<br>Main: Brass Ø 5/8"  |
| Electrical            | Standard Housing:     | Encapsulated Waterproof Conduit (NEMA 4/4X)   |
|                       | Optional Housings:    | Metallic Conduit, Explosion-proof (NEMA 7), Grommet, Open Frame, Junction Box (single or dual knockouts), DIN; Contact GC Valves Customer Service for others. |
|                       | Standard Voltages:    | 24, 120, 240 AC 60 Hz; 50 Hz available<br>6, 12, 24 DC;<br>Contact GC Valves Customer Service for Additional Voltages.  |
|                       | Voltage Tolerance:    | ±10% of applicable voltage  |
|                       | Coil Classes:         | F, H, N   |
|                       | Standard Lead Length: | 24 inch   |
| Operating Temperature | Ambient (Nominal):    | 32°F to 125°F   |
| Mounting              | Position:             | Any   |
| Approvals*            | Agency:               | UL Listed, UL Recognized, CSA Approved  |

\* Not available for all variations

© Registered Trademark of DuPont Co.

## Dimensions/Weight

**Weight (lbs.)**  
3.5



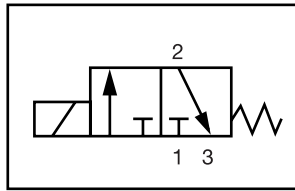
GC Valves Customer Service: 800-828-0484 (7:30am to 4pm ET) or 800-582-4232 (7:30am to 4pm PT)



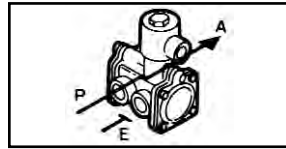
# S203 – 1/2" NPT, Brass Body, Normally Closed

## Valve Selection List

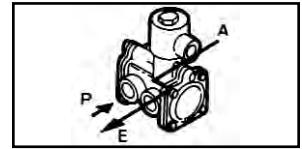
Normally Closed



Energized



De-Energized



| Pipe Size<br>NPT | Orifice Size<br>IN | C <sub>v</sub> | Minimum | Operating Pressure Differential (psi) |     |       |     | Max<br>Fluid Temp.<br>°F | Seal Material | Power Consumption (Watts) |    | Model Code<br>( 120V/60HZ – 110V/50HZ<br>Shown ) |
|------------------|--------------------|----------------|---------|---------------------------------------|-----|-------|-----|--------------------------|---------------|---------------------------|----|--|
|                  |                    |                |         | Maximum                               |     |       |     |                          |               | AC                        | DC |  |
|                  |                    |                |         | Air/Gas                               |     | Water |     |                          |               |                           |    |  |
|                  |                    |                |         | AC                                    | DC  | AC    | DC  |                          |               | AC                        | DC | Brass Body                                       |
| 1/2              | 5/8                | 3.3            | 7.0     | 150                                   | 150 | 150   | 150 | 295                      | EPR           | 10                        | 10 | S203GF02C5DG4                                    |
|                  | 5/8                | 3.3            | 7.0     | 150                                   | 150 | 150   | 150 | 180                      | Nitrile       | 10                        | 10 | S203GF02N5DG4                                    |
|                  | 5/8                | 3.3            | 7.0     | 150                                   | 150 | 150   | 150 | 230                      | Viton         | 10                        | 10 | S203GF02V5DG4                                    |

## Part Numbering

|  |          |          |                    |            |                          |                      |          |                                  |               |                 |              |          |
|--|----------|----------|--------------------|------------|--------------------------|----------------------|----------|----------------------------------|---------------|-----------------|--------------|----------|
| 1  | 2        | 3        | 4                  | 5          | 6                        | 7                    | 8        | 9                                | 10            | 11              | 12           | 13       |
| <b>S</b>   | <b>2</b> | <b>0</b> | <b>3</b>           | <b>G</b>   | <b>F</b>                 | <b>0</b>             | <b>2</b> | <b>C</b>                         | <b>5</b>      | <b>D</b>        | <b>G</b>     | <b>4</b> |
| Series   |          |          | Operating Mode     | Housing*   | Coil Class*              | Voltage*             |          | Seal Material                    | Body Material | Pipe Connection | Orifice Size |          |
| S20  |          |          | 3: Normally Closed | G: Conduit | F: Class F<br>H: Class H | 02: 120/60<br>110/50 |          | C: EPR<br>N: Nitrile<br>V: Viton | 5: Brass      | D: 1/2" NPT     | G4: 5/8"     |          |
| * See the "Engineering Guide" for additional voltages, variations and options. |          |          |                    |            |                          |                      |          |                                  |               |                 |              |          |

## Coil Data

| Coil Family |      |
|-------------|------|
| Type        | Size |
| All         | S4   |

| Frequency (Hz)     | 60      | 50 |    |
|--------------------|---------|----|----|
| Nominal Power (VA) | Inrush  | 46 | 46 |
|                    | Holding | 18 | 19 |

GC Valves Customer Service: 800-828-0484 (7:30am to 4pm ET) or 800-582-4232 (7:30am to 4pm PT)

- **1/2" NPT**
- **Brass Body**
- **3-Way Pilot Operated**
- **Normally Open**



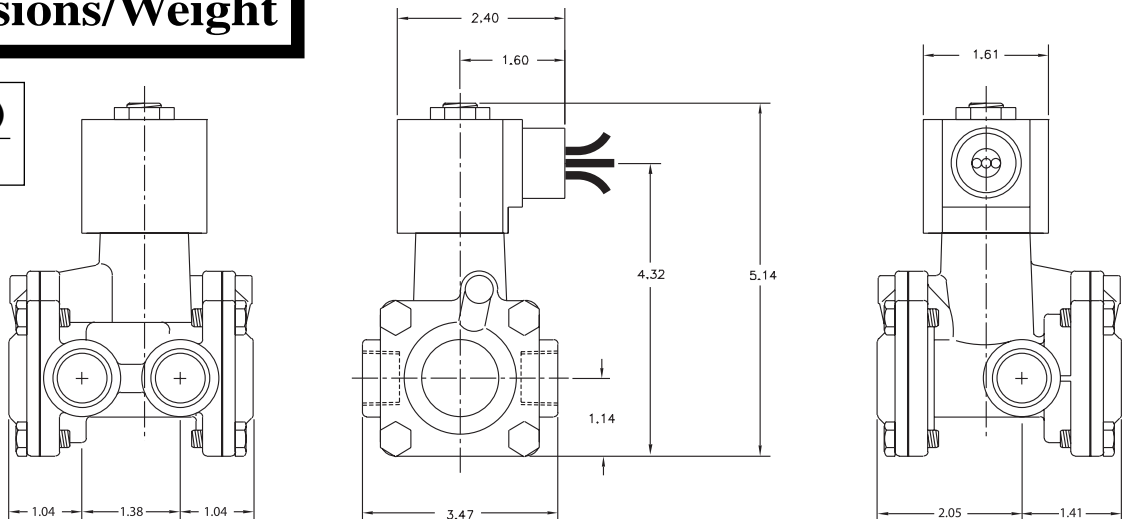
|                       |                       |   |
|-----------------------|-----------------------|---|
| Materials             | Seals:                | Nitrile, Viton®, Ethylene Propylene   |
|                       | Orifice:              | Pilot: Stainless Steel<br>Main: Brass Ø 5/8"  |
| Electrical            | Standard Housing:     | Encapsulated Waterproof Conduit (NEMA 4/4X)   |
|                       | Optional Housings:    | Metallic Conduit, Explosion-proof (NEMA 7), Grommet, Open Frame, Junction Box (single or dual knockouts), DIN; Contact GC Valves Customer Service for others. |
|                       | Standard Voltages:    | 24, 120, 240 AC 60 Hz; 50 Hz available<br>6, 12, 24 DC;<br>Contact GC Valves Customer Service for Additional Voltages.  |
|                       | Voltage Tolerance:    | ±10% of applicable voltage  |
|                       | Coil Classes:         | F, H, N   |
|                       | Standard Lead Length: | 24 inch   |
| Operating Temperature | Ambient (Nominal):    | 32°F to 125°F   |
| Mounting              | Position:             | Any   |
| Approvals*            | Agency:               | UL Listed, UL Recognized, CSA Approved  |

\* Not available for all variations

© Registered Trademark of DuPont Co.

## Dimensions/Weight

**Weight (lbs.)**  
3.5



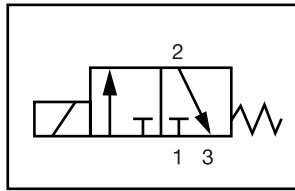
**GC Valves Customer Service: 800-828-0484 (7:30am to 4pm ET) or 800-582-4232 (7:30am to 4pm PT)**



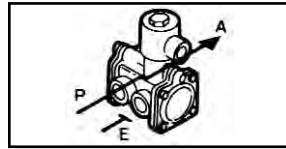
# S20 – 1/2" NPT, Brass Body, Normally Open

## Valve Selection List

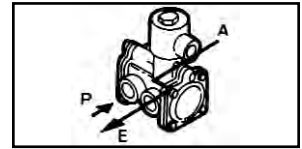
Normally Open



De-Energized



Energized



| Pipe Size<br>NPT | Orifice Size<br>IN | C <sub>v</sub> | Minimum | Operating Pressure Differential (psi) |     |       |     | Max<br>Fluid Temp.<br>°F | Seal Material | Power Consumption (Watts) |    | Model Code<br>( 120V/60HZ — 110V/50HZ<br>Shown ) |    |
|------------------|--------------------|----------------|---------|---------------------------------------|-----|-------|-----|--------------------------|---------------|---------------------------|----|--|----|
|                  |                    |                |         | Maximum                               |     |       |     |                          |               | AC                        | DC |  | AC |
|                  |                    |                |         | Air/Gas                               |     | Water |     |                          |               |                           |    |  |    |
|                  |                    |                |         | AC                                    | DC  | AC    | DC  |                          |               | AC                        | DC | Brass Body                                       |    |
| 1/2              | 5/8                | 4.4            | 7.0     | 150                                   | 150 | 150   | 150 | 295                      | EPR           | 10                        | 10 | S204GF02C5DG4                                    |    |
|                  | 5/8                | 4.4            | 7.0     | 150                                   | 150 | 150   | 150 | 180                      | Nitrile       | 10                        | 10 | S204GF02N5DG4                                    |    |
|                  | 5/8                | 4.4            | 7.0     | 150                                   | 150 | 150   | 150 | 230                      | Viton         | 10                        | 10 | S204GF02V5DG4                                    |    |

## Part Numbering

|  |          |          |                  |            |             |                      |          |                                  |               |                 |              |          |
|--|----------|----------|------------------|------------|-------------|----------------------|----------|----------------------------------|---------------|-----------------|--------------|----------|
| 1  | 2        | 3        | 4                | 5          | 6           | 7                    | 8        | 9                                | 10            | 11              | 12           | 13       |
| <b>S</b>   | <b>2</b> | <b>0</b> | <b>4</b>         | <b>G</b>   | <b>F</b>    | <b>0</b>             | <b>2</b> | <b>C</b>                         | <b>5</b>      | <b>D</b>        | <b>G</b>     | <b>4</b> |
| Series   |          |          | Operating Mode   | Housing*   | Coil Class* | Voltage*             |          | Seal Material                    | Body Material | Pipe Connection | Orifice Size |          |
| S20  |          |          | 4: Normally Open | G: Conduit | F: Class F  | 02: 120/60<br>110/50 |          | C: EPR<br>N: Nitrile<br>V: Viton | 5: Brass      | D: 1/2" NPT     | G4: 5/8"     |          |
| * See the "Engineering Guide" for additional voltages, variations and options. |          |          |                  |            |             |                      |          |                                  |               |                 |              |          |

## Coil Data

| Coil Family |      |
|-------------|------|
| Type        | Size |
| All         | S4   |

| Frequency (Hz)     | 60      | 50 |
|--------------------|---------|----|
| Nominal Power (VA) | Inrush  | 46 |
|                    | Holding | 18 |

GC Valves Customer Service: 800-828-0484 (7:30am to 4pm ET) or 800-582-4232 (7:30am to 4pm PT)

- **1/2" NPT**
- **Compact Brass Body**
- **3-Way Lever-Acting**
- **Universal**



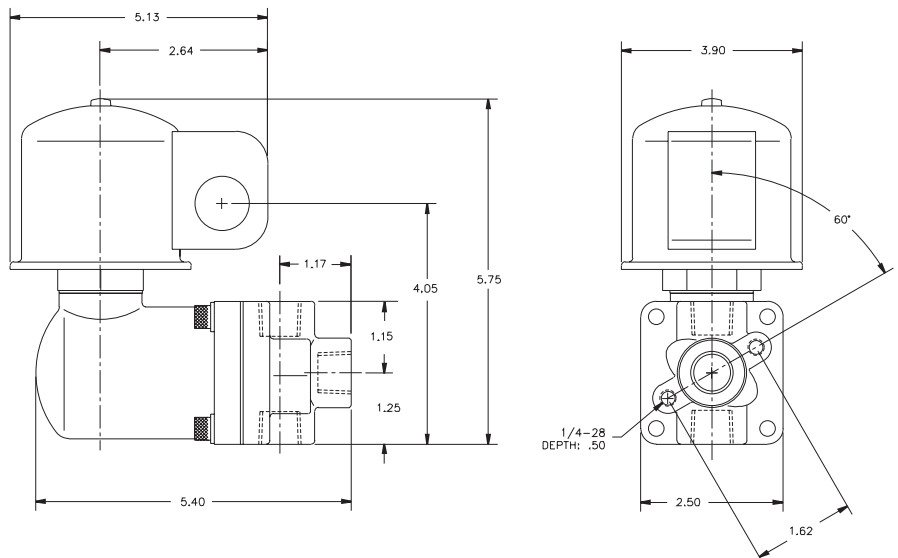
|                       |                       |  |
|-----------------------|-----------------------|--|
| Materials             | Seals:                | Stainless Steel  |
|                       | Orifices:             | Stainless Steel  |
| Electrical            | Standard Housing:     | Junction Box   |
|                       | Optional Housings:    | Conduit (NEMA1), Watertight (NEMA 4)   |
|                       | Standard Voltages:    | 24, 120, 240 AC 60 Hz; 50 Hz available.<br>Contact GC Valves Customer Service for additional voltages. |
|                       | Voltage Tolerance:    | ±10% of applicable voltage   |
|                       | Coil Classes:         | F, H   |
|                       | Standard Lead Length: | 6 inch   |
| Operating Temperature | Ambient (Nominal):    | 32° to 125°F   |
| Mounting              | Position:             | Vertical Only  |
| Approvals*            | Agency:               | UL Listed  |

\* Not available for all variations

## Dimensions/Weight

**Weight (lbs.)**

4.5



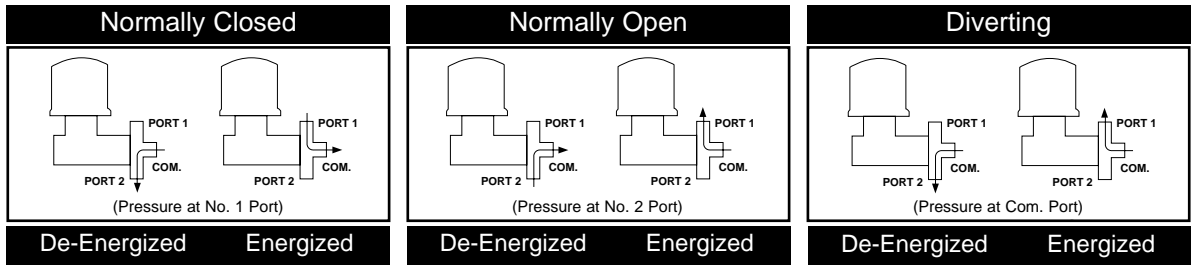
GC Valves Customer Service: 800-828-0484 (7:30am to 4pm ET) or 800-582-4232 (7:30am to 4pm PT)



# K13 – 1/2" NPT, Compact Brass Body, Universal

## Valve Selection List

Universal



| Pipe Size<br>NPT | Orifice Size<br>IN | C <sub>v</sub> | Minimum | Operating Pressure Differential (psi) |    |           |    |                                 |    | Max<br>Fluid Temp.<br>°F | Power<br>Consumption<br>(Watts) |    | Coil Class | Model Code |                                    |
|------------------|--------------------|----------------|---------|---------------------------------------|----|-----------|----|---------------------------------|----|--------------------------|---------------------------------|----|------------|------------|------------------------------------|
|                  |                    |                |         | Maximum                               |    |           |    |                                 |    |                          | AC                              | DC |            | F*         | ( 120V/60HZ — 110V/50HZ )<br>Shown |
|                  |                    |                |         | Water                                 |    | Light Oil |    | #5 and #6<br>Heated Fuel<br>Oil |    |                          |                                 |    |            |            |                                    |
|                  |                    |                |         | AC                                    | DC | AC        | DC | AC                              | DC |                          |                                 |    |            |            |                                    |
| 1/2              | 1/8                | .22            | 0       | 125                                   | —  | 125       | —  | 125                             | —  | 225                      | 14                              | —  | F*         | K13CF1242  |                                    |
|                  | 1/4                | .75            | 0       | 25                                    | —  | 25        | —  | 25                              | —  | 225                      | 14                              | —  | F*         | K13CF1442  |                                    |

\* Class H Coil Recommended for High Temperature Applications

## Part Numbering

| 1  | 2        | 3        | 4          | 5                        | 6                  | 7                  | 8               | 9  |
|--|----------|----------|------------|--------------------------|--------------------|--------------------|-----------------|--|
| <b>K</b>   | <b>1</b> | <b>3</b> | <b>C</b>   | <b>F</b>                 | <b>1</b>           | <b>2</b>           | <b>4</b>        | <b>2</b>                                   |
| Series   |          |          | Body Size  | Housing*                 | Seal               | Orifice Size       | Pipe Connection | Voltage*                                   |
| K13  |          |          | C: Compact | F: Class F<br>H: Class H | 1: Stainless Steel | 2: 1/8"<br>4: 1/4" | 4: 1/2"         | 2: 120/60<br>110/50<br>4: 240/60<br>220/50 |
| * See the "Engineering Guide" for additional voltages, variations and options. |          |          |            |                          |                    |                    |                 |  |

## Coil Data

| Coil Family |      |
|-------------|------|
| Type        | Size |
| C           | C225 |

|                    |         |     |
|--------------------|---------|-----|
| Frequency (Hz)     | 60      | 50  |
| Nominal Power (VA) | Inrush  | 120 |
|                    | Holding | 31  |

GC Valves Customer Service: 800-828-0484 (7:30am to 4pm ET) or 800-582-4232 (7:30am to 4pm PT)

- 1/2" NPT
- Brass Body
- 3-Way Lever-Acting
- Universal



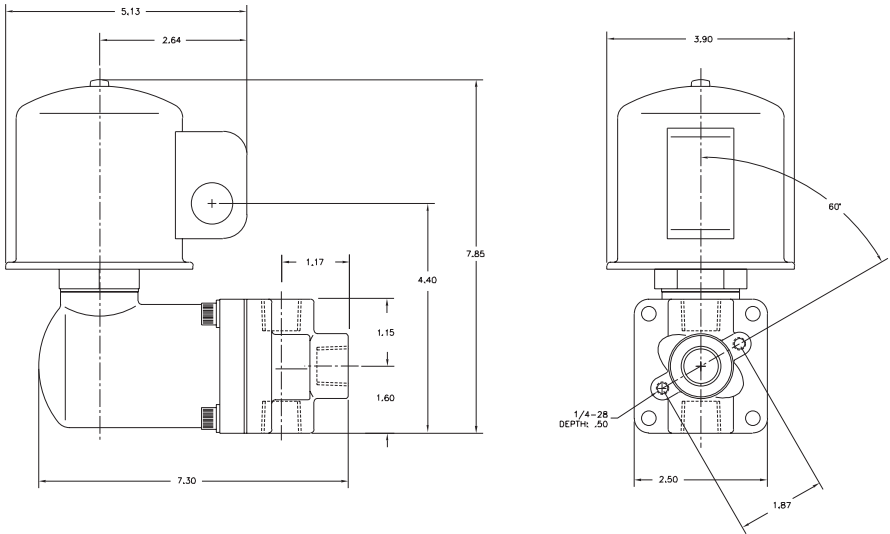
|                       |                       |  |
|-----------------------|-----------------------|--|
| Materials             | Seals:                | Stainless Steel  |
|                       | Orifices:             | Stainless Steel  |
| Electrical            | Standard Housing:     | Junction Box   |
|                       | Optional Housings:    | Conduit (NEMA1), Watertight (NEMA 4)   |
|                       | Standard Voltages:    | 24, 120, 240 AC 60 Hz; 50 Hz available.<br>Contact GC Valves Customer Service for additional voltages. |
|                       | Voltage Tolerance:    | ±10% of applicable voltage   |
|                       | Coil Classes:         | F, H   |
|                       | Standard Lead Length: | 6 inch   |
| Operating Temperature | Ambient (Nominal):    | 32° to 125°F   |
| Mounting              | Position:             | Vertical Only  |
| Approvals*            | Agency:               | UL Listed  |

\* Not available for all variations

## Dimensions/Weight

Weight (lbs.)

8.8

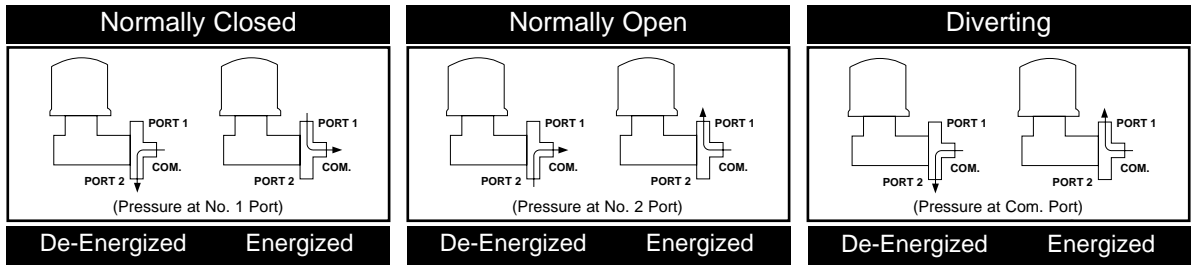




# K13 – 1/2" NPT, Brass Body, Universal

## Valve Selection List

Universal



| Pipe Size<br>NPT | Orifice Size<br>IN | C <sub>V</sub> | Operating Pressure Differential (psi) |     |           |     |                           |     |    | Max<br>Fluid Temp.<br>°F | Power Consumption (Watts) |    | Coil Class | Model Code                         |
|------------------|--------------------|----------------|---------------------------------------|-----|-----------|-----|---------------------------|-----|----|--------------------------|---------------------------|----|------------|------------------------------------|
|                  |                    |                | Maximum                               |     |           |     |                           |     | AC |                          | DC                        | F* |            | ( 120V/60HZ — 110V/50HZ )<br>Shown |
|                  |                    |                | Water                                 |     | Light Oil |     | #5 and #6 Heated Fuel Oil |     |    |                          |                           |    |            |                                    |
|                  |                    |                | AC                                    | DC  | AC        | DC  | AC                        | DC  |    |                          |                           |    |            |                                    |
| 1/2              | 1/8                | .25            | 0                                     | 275 | —         | 275 | —                         | 275 | —  | 250                      | 28                        | —  | F*         | K13DF1242                          |
|                  | 3/16               | .58            | 0                                     | 125 | —         | 125 | —                         | 125 | —  | 250                      | 28                        | —  | F*         | K13DF1342                          |
|                  | 1/4                | .85            | 0                                     | 100 | —         | 100 | —                         | 100 | —  | 250                      | 28                        | —  | F*         | K13DF1442                          |
|                  | 13/32              | 1.27           | 0                                     | 25  | —         | 25  | —                         | 25  | —  | 250                      | 28                        | —  | F*         | K13DF1542                          |

\* Class H Coil Recommended for High Temperature Applications

## Part Numbering

|  |          |          |             |                          |                    |   |                 |  |
|--|----------|----------|-------------|--------------------------|--------------------|---|-----------------|--|
| 1  | 2        | 3        | 4           | 5                        | 6                  | 7   | 8               | 9  |
| <b>K</b>   | <b>1</b> | <b>3</b> | <b>D</b>    | <b>F</b>                 | <b>1</b>           | <b>2</b>                                    | <b>4</b>        | <b>2</b>                                   |
| Series   |          |          | Body Size   | Housing*                 | Seal               | Orifice Size                                | Pipe Connection | Voltage*                                   |
| K13  |          |          | D: Standard | F: Class F<br>H: Class H | 1: Stainless Steel | 2: 1/8"<br>3: 3/16"<br>4: 1/4"<br>5: 13/32" | 4: 1/2"         | 2: 120/60<br>110/50<br>4: 240/60<br>220/50 |
| * See the "Engineering Guide" for additional voltages, variations and options. |          |          |             |                          |                    |   |                 |  |

## Coil Data

| Coil Family |      |
|-------------|------|
| Type        | Size |
| D           | C300 |

|                    |         |     |
|--------------------|---------|-----|
| Frequency (Hz)     | 60      | 50  |
| Nominal Power (VA) | Inrush  | 278 |
|                    | Holding | 67  |

GC Valves Customer Service: 800-828-0484 (7:30am to 4pm ET) or 800-582-4232 (7:30am to 4pm PT)