

- 3/8" NPT
- Brass Body
- 3-Way Pilot Operated
- Normally Closed



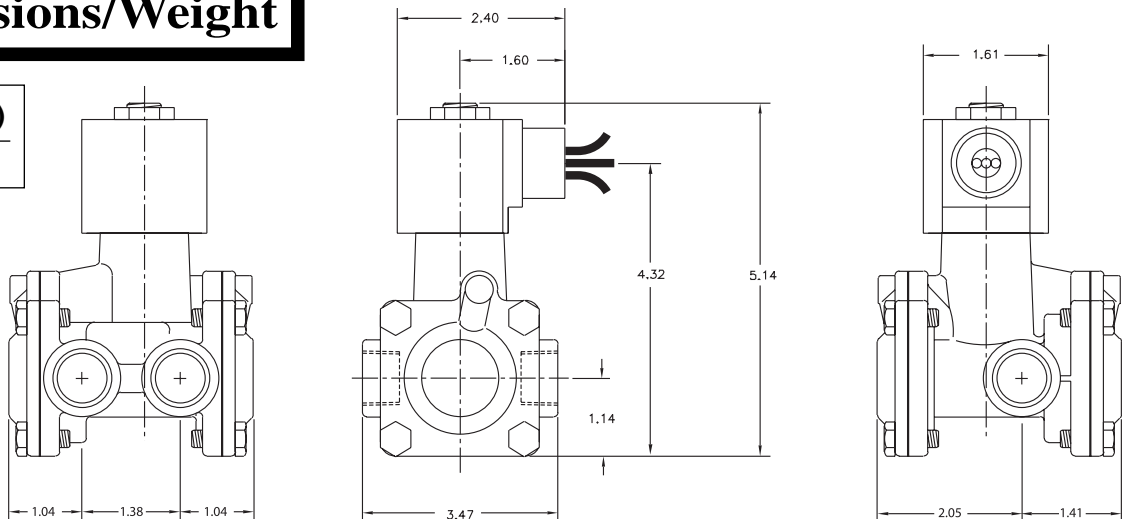
Materials	Seals:	Nitrile, Viton®, Ethylene Propylene
	Orifice: Pilot Main	Stainless Steel Brass Ø 5/8"
Electrical	Standard Housing:	Encapsulated Waterproof Conduit (NEMA 4/4X)
	Optional Housings:	Metallic Conduit, Explosion-proof (NEMA 7), Grommet, Open Frame, Junction Box (single or dual knockouts), DIN; Contact GC Valves Customer Service for others.
	Standard Voltages:	24, 120, 240 AC 60 Hz; 50 Hz available 6, 12, 24 DC; Contact GC Valves Customer Service for Additional Voltages.
	Voltage Tolerance:	±10% of applicable voltage
	Coil Classes:	F, H, N
	Standard Lead Length:	24 inch
Operating Temperature	Ambient (Nominal):	32°F to 125°F
Mounting	Position:	Any
Approvals*	Agency:	UL Listed, UL Recognized, CSA Approved

\* Not available for all variations

© Registered Trademark of DuPont Co.

## Dimensions/Weight

**Weight (lbs.)**  
3.5



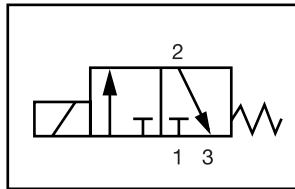
GC Valves Customer Service: 800-828-0484 (7:30am to 4pm ET) or 800-582-4232 (7:30am to 4pm PT)



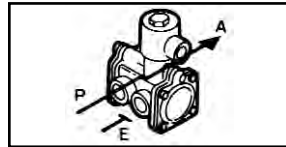
# S203 – 3/8" NPT, Brass Body, Normally Closed

## Valve Selection List

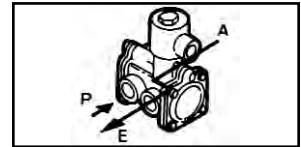
Normally Closed



Energized



De-Energized



Pipe Size NPT	Orifice Size IN	C <sub>v</sub>	Minimum	Operating Pressure Differential (psi)				Max Fluid Temp. °F	Seal Material	Power Consumption (Watts)		Model Code ( 120V/60HZ — 110V/50HZ Shown )
				Maximum						AC	DC	
				Air/Gas		Water						
				AC	DC	AC	DC			AC	DC	Brass Body
3/8	5/8	3.3	7.0	150	150	150	150	295	EPR	10	10	S203GF02C5CG4
	5/8	3.3	7.0	150	150	150	150	180	Nitrile	10	10	S203GF02N5CG4
	5/8	3.3	7.0	150	150	150	150	230	Viton	10	10	S203GF02V5CG4

## Part Numbering

1	2	3	4	5	6	7	8	9	10	11	12	13
<b>S</b>	<b>2</b>	<b>0</b>	<b>3</b>	<b>G</b>	<b>F</b>	<b>0</b>	<b>2</b>	<b>C</b>	<b>5</b>	<b>C</b>	<b>G</b>	<b>4</b>
Series			Operating Mode	Housing*	Coil Class*	Voltage*		Seal Material	Body Material	Pipe Connection	Orifice Size	
S20			3: Normally Closed	G: Conduit	F: Class F	02: 120/60 110/50		C: EPR N: Nitrile V: Viton	5: Brass	C: 3/8" NPT	G4: 5/8"	
* See the "Engineering Guide" for additional voltages, variations and options.												

## Coil Data

Coil Family	
Type	Size
All	S4

Frequency (Hz)	60	50
Nominal Power (VA)	Inrush	46
	Holding	19

GC Valves Customer Service: 800-828-0484 (7:30am to 4pm ET) or 800-582-4232 (7:30am to 4pm PT)

# S20 Series



- 3/8" NPT
- Brass Body
- 3-Way Pilot Operated
- Normally Open



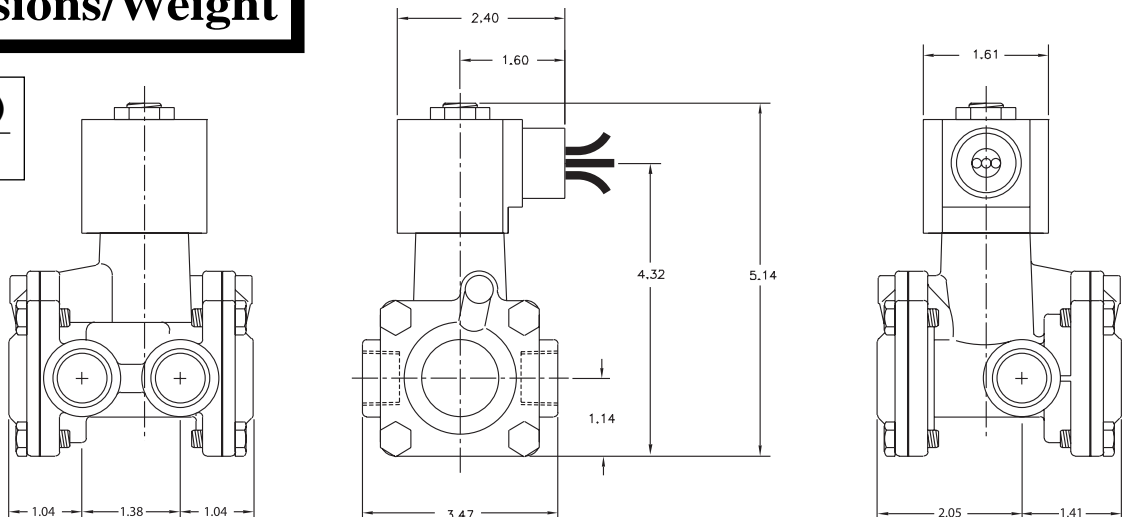
Materials	Seals:	Nitrile, Viton®, Ethylene Propylene
	Orifice: Pilot Main	Stainless Steel Brass Ø 5/8"
Electrical	Standard Housing:	Encapsulated Waterproof Conduit (NEMA 4/4X)
	Optional Housings:	Metallic Conduit, Explosion-proof (NEMA 7), Grommet, Open Frame, Junction Box (single or dual knockouts), DIN; Contact GC Valves Customer Service for others.
	Standard Voltages:	24, 120, 240 AC 60 Hz; 50 Hz available 6, 12, 24 DC; Contact GC Valves Customer Service for Additional Voltages.
	Voltage Tolerance:	±10% of applicable voltage
	Coil Classes:	F, H, N
	Standard Lead Length:	24 inch
Operating Temperature	Ambient (Nominal):	32° to 125°F
Mounting	Position:	Any
Approvals*	Agency:	UL Listed, UL Recognized, CSA Approved

\* Not available for all variations

© Registered Trademark of DuPont Co.

## Dimensions/Weight

<b>Weight (lbs.)</b>
3.5



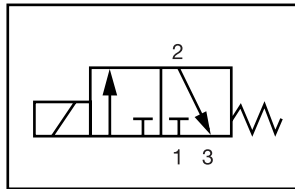
GC Valves Customer Service: 800-828-0484 (7:30am to 4pm ET) or 800-582-4232 (7:30am to 4pm PT)



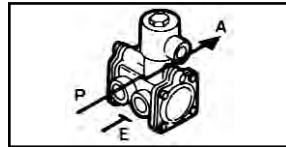
# S204 – 3/8" NPT, Brass Body, Normally Open

## Valve Selection List

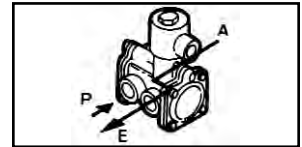
Normally Open



De-Energized



Energized



Pipe Size NPT	Orifice Size IN	C <sub>v</sub>	Minimum	Operating Pressure Differential (psi)				Max Fluid Temp. °F	Seal Material	Power Consumption (Watts)		Model Code ( 120V/60HZ — 110V/50HZ Shown )	
				Maximum						AC	DC		AC
				Air/Gas		Water							
				AC	DC	AC	DC			AC	DC	Brass Body	
3/8	5/8	3.3	7.0	150	150	150	150	295	EPR	10	10	S204GF02C5CG4	
	5/8	3.3	7.0	150	150	150	150	180	Nitrile	10	10	S204GF02N5CG4	
	5/8	3.3	7.0	150	150	150	150	230	Viton	10	10	S204GF02V5CG4	

## Part Numbering

1	2	3	4	5	6	7	8	9	10	11	12	13
<b>S</b>	<b>2</b>	<b>0</b>	<b>4</b>	<b>G</b>	<b>F</b>	<b>0</b>	<b>2</b>	<b>C</b>	<b>5</b>	<b>C</b>	<b>G</b>	<b>4</b>
Series			Operating Mode	Housing*	Coil Class*	Voltage*		Seal Material	Body Material	Pipe Connection	Orifice Size	
S20			4: Normally Open	G: Conduit	F: Class F	02: 120/60 110/50		C: EPR N: Nitrile V: Viton	5: Brass	C: 3/8" NPT	G4: 5/8"	
* See the "Engineering Guide" for additional voltages, variations and options.												

## Coil Data

Coil Family	
Type	Size
All	S4

Frequency (Hz)	60	50	
Nominal Power (VA)	Inrush	46	46
	Holding	18	19

GC Valves Customer Service: 800-828-0484 (7:30am to 4pm ET) or 800-582-4232 (7:30am to 4pm PT)

- 3/8" NPT
- Compact Brass Body
- 3-Way Lever-Acting
- Universal



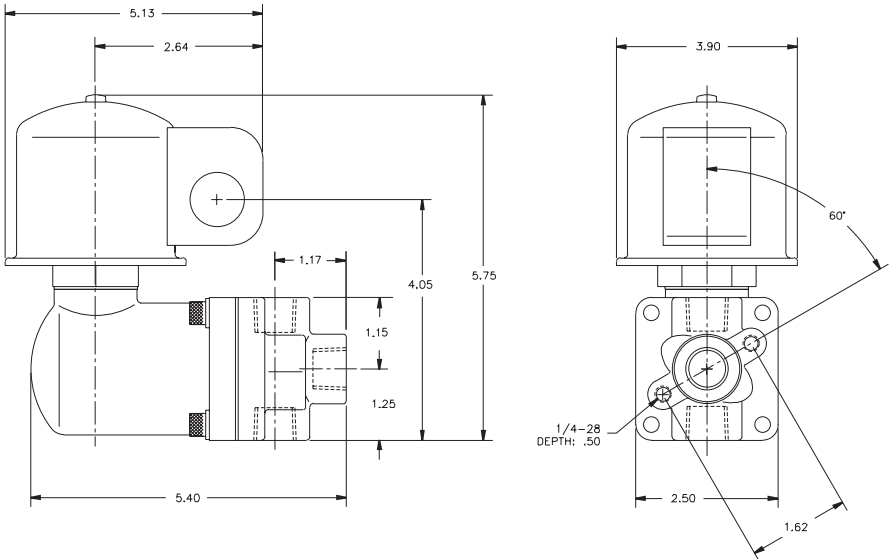
Materials	Seals:	Stainless Steel
	Orifices:	Stainless Steel
Electrical	Standard Housing:	Junction Box
	Optional Housings:	Conduit (NEMA1), Watertight (NEMA 4)
	Standard Voltages:	24, 120, 240 AC 60 Hz; 50 Hz available. Contact GC Valves Customer Service for additional voltages.
	Voltage Tolerance:	±10% of applicable voltage
	Coil Classes:	F, H
	Standard Lead Length:	6 inch
Operating Temperature	Ambient (Nominal):	32° to 125°F
Mounting	Position:	Vertical Only
Approvals*	Agency:	UL Listed

\* Not available for all variations

## Dimensions/Weight

**Weight (lbs.)**

4.5



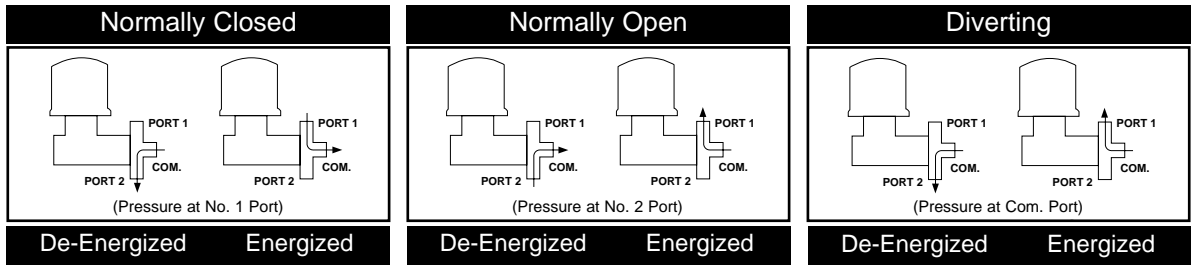
GC Valves Customer Service: 800-828-0484 (7:30am to 4pm ET) or 800-582-4232 (7:30am to 4pm PT)



# K13 – 3/8" NPT, Compact Brass Body, Universal

## Valve Selection List

Universal



Pipe Size NPT	Orifice Size IN	C <sub>v</sub>	Operating Pressure Differential (psi)							Max Fluid Temp. °F	Power Consumption (Watts)		Coil Class	Model Code
			Maximum						AC		DC	F*		( 120V/60HZ — 110V/50HZ ) Shown
			Water		Light Oil		#5 and #6 Heated Fuel Oil							
			AC	DC	AC	DC	AC	DC						
3/8	1/8	.22	0	125	—	125	—	125	—	225	14	—	F*	K13CF1232
	1/4	.75	0	25	—	25	—	25	—	225	14	—	F*	K13CF1432

\* Class H Coil Recommended for High Temperature Applications

## Part Numbering

1	2	3	4	5	6	7	8	9
<b>K</b>	<b>1</b>	<b>3</b>	<b>C</b>	<b>F</b>	<b>1</b>	<b>2</b>	<b>3</b>	<b>2</b>
Series			Body Size	Housing*	Seal	Orifice Size	Pipe Connection	Voltage*
K13			C: Compact	F: Class F H: Class H	1: Stainless Steel	2: 1/8" 4: 1/4"	3: 3/8"	2: 120/60 110/50 4: 240/60 220/50
* See the "Engineering Guide" for additional voltages, variations and options.								

## Coil Data

Coil Family	
Type	Size
C	C225

Frequency (Hz)	60	50	
Nominal Power (VA)	Inrush	120	120
	Holding	31	34

GC Valves Customer Service: 800-828-0484 (7:30am to 4pm ET) or 800-582-4232 (7:30am to 4pm PT)