

S31 Series



- 1/4" NPT
- Brass Body
- 3-Way Direct Acting
- Universal



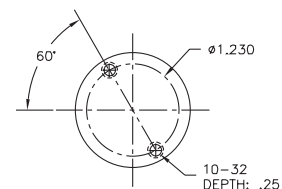
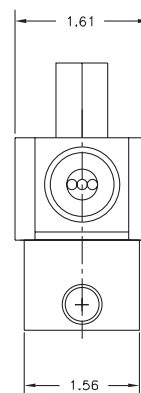
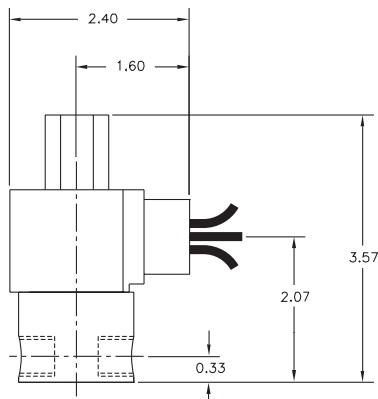
Materials	Seals:	Nitrile, Viton®, Ethylene Propylene or Teflon®
	Orifices: Top Main	Stainless Steel Stainless Steel
Electrical	Standard Housing:	Encapsulated Waterproof Conduit (NEMA 4/4X)
	Optional Housings:	Metallic Conduit, Explosion-proof (NEMA 7), Grommet, Open Frame, Junction Box (single or dual knockouts), DIN; Contact GC Valves Customer Service for others.
	Standard Voltages:	24, 120, 240 AC 60 Hz; 50 Hz available 6, 12, 24 DC; Contact GC Valves Customer Service for Additional Voltages.
	Voltage Tolerance:	±10% of applicable voltage
	Coil Classes:	F, H, N
	Standard Lead Length:	24 inch
Operating Temperature	Ambient (Nominal):	32° to 125°F
Mounting	Position	Any
Approvals*	Agency	UL Listed, UL Recognized, CSA Approved

* Not available for all variations

© Registered Trademark of DuPont Co.

Dimensions/Weight

Weight (lbs.)
1.2



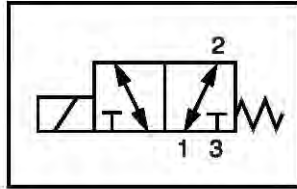
GC Valves Customer Service: 800-828-0484 (7:30am to 4pm ET) or 800-582-4232 (7:30am to 4pm PT)



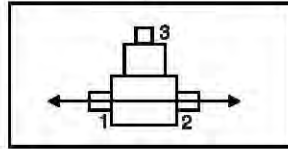
S316 – 1/4" NPT, Brass Body, Universal

Valve Selection List

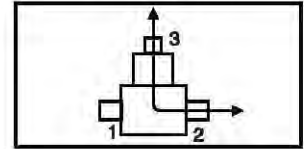
Universal



Energized



De-Energized



Pipe Size NPT	Orifice Size IN		C _v		Operating Pressure Differential (psi)						Max Fluid Temp. °F	Seal Material	Power Consumption (Watts)		Model Code (120V/60HZ — 110V/50HZ) Shown
	Main	Top	Main	Top	Air/Gas		Water		Light Oil				AC	DC	
					AC	DC	AC	DC	AC	DC					
1/4	3/64	3/64	.05	.05	150	150	150	150	—	—	295	EPR	8	9	S316GF02C8BC3
	3/64	1/16	.05	.10	80	80	80	80	—	—	295	EPR	8	9	S316GF02C8BV1
	1/16	1/16	.10	.10	80	40	80	40	—	—	295	EPR	8	9	S316GF02C8BC5
	3/32	3/64	.20	.05	60	60	60	60	—	—	295	EPR	8	9	S316GF02C8BW3
	1/8	3/32	.27	.20	45	5	45	5	—	—	295	EPR	8	9	S316GF02C8BV3
1/4	3/64	3/64	.05	.05	150	150	150	150	150	150	180	Nitrile	8	9	S316GF02N8BC3
	3/64	1/16	.05	.10	80	80	80	80	80	80	180	Nitrile	8	9	S316GF02N8BV1
	1/16	1/16	.10	.10	80	40	80	40	80	40	180	Nitrile	8	9	S316GF02N8BC5
	3/32	3/64	.20	.05	60	60	60	60	60	60	180	Nitrile	8	9	S316GF02N8BW3
	1/8	3/32	.27	.20	45	5	45	5	45	5	180	Nitrile	8	9	S316GF02N8BV3
1/4	3/64	3/64	.05	.05	150	150	150	150	150	150	230	Viton	8	9	S316GF02V8BC3
	3/64	1/16	.05	.10	80	80	80	80	80	80	230	Viton	8	9	S316GF02V8BV1
	1/16	1/16	.10	.10	80	40	80	40	80	40	230	Viton	8	9	S316GF02V8BC5
	3/32	3/64	.20	.05	60	60	60	60	60	60	230	Viton	8	9	S316GF02V8BW3
	1/8	3/32	.27	.20	45	5	45	5	45	5	230	Viton	8	9	S316GF02V8BV3
1/4	3/64	3/64	.05	.05	150	150	150	150	150	150	366*	Teflon	8	9	S316GF02T8BC3
	3/64	1/16	.05	.10	80	80	80	80	80	80	366*	Teflon	8	9	S316GF02T8BV1
	1/16	1/16	.10	.10	65	65	65	65	65	65	366*	Teflon	8	9	S316GF02T8BC5
	3/32	3/64	.20	.05	80	40	80	40	80	40	366*	Teflon	8	9	S316GF02T8BW3
	1/8	3/32	.27	.20	45	5	45	5	45	5	366*	Teflon	8	9	S316GF02T8BV3

* Class H Coil Recommended for High Temperature Applications

GC Valves Customer Service: 800-828-0484 (7:30am to 4pm ET) or 800-582-4232 (7:30am to 4pm PT)

S316 – 1/4" NPT, Brass Body, Universal



Part Numbering

1	2	3	4	5	6	7	8	9	10	11	12	13
S	3	1	6	G	F	0	2	C	8	B	C	3
Series			Operating Mode	Housing*	Coil Class*	Voltage*		Seal Material	Body Material	Pipe Connection	Orifice Size (Main x Top)	
S31			6: Universal	G: Conduit	F: Class F	02: 120/60 110/50		C: EPR N: Nitrile V: Viton T: Teflon	8: Brass	B: 1/4" NPT	C3: 3/64" x 3/64" V1: 3/64" x 1/16" C5: 1/16" x 1/16" W3: 3/32" x 3/64" V3: 1/8" x 3/32"	
* See the "Engineering Guide" for additional voltages, variations and options.												

Coil Data

Coil Family	
Type	Size
All	S3

Frequency (Hz)	60	50
Nominal Power (VA)	Inrush	36
	Holding	16

S30 Series



- 1/4" NPT
- Brass Body
- 3-Way Direct Acting
- Universal



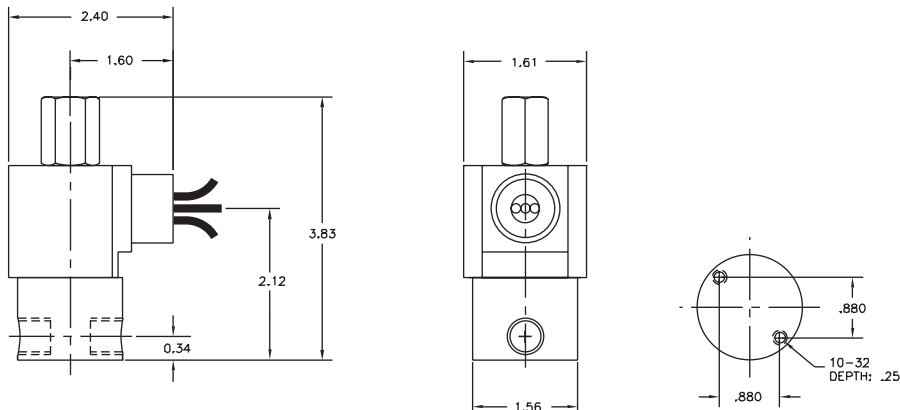
Materials	Seals:	Nitrile, Viton®, Ethylene Propylene or Teflon®
	Orifices: Top Main	Stainless Steel Stainless Steel
Electrical	Standard Housing:	Encapsulated Waterproof Conduit (NEMA 4/4X)
	Optional Housings:	Metallic Conduit, Explosion-proof (NEMA 7), Grommet, Open Frame, Junction Box (single or dual knockouts), DIN; Contact GC Valves Customer Service for others.
	Standard Voltages:	24, 120, 240 AC 60 Hz; 50 Hz available 6, 12, 24 DC; Contact GC Valves Customer Service for Additional Voltages.
	Voltage Tolerance:	±10% of applicable voltage
	Coil Classes:	F, H, N
	Standard Lead Length:	24 inch
Operating Temperature	Ambient (Nominal):	32° to 125°F
Mounting	Position	Any
Approvals*	Agency	UL Listed, UL Recognized, CSA Approved

* Not available for all variations

© Registered Trademark of DuPont Co.

Dimensions/Weight

Weight (lbs.)
1.2



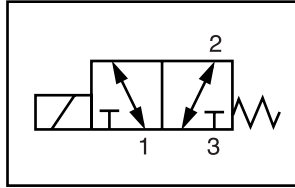
GC Valves Customer Service: 800-828-0484 (7:30am to 4pm ET) or 800-582-4232 (7:30am to 4pm PT)



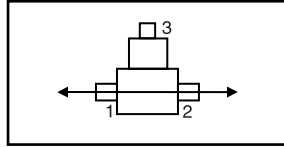
S306 – 1/4" NPT, Brass Body, Universal

Valve Selection List

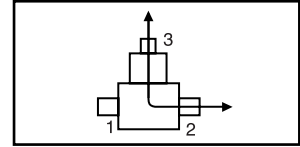
Universal



Energized



De-Energized



Pipe Size NPT	Orifice Size IN		C _v		Operating Pressure Differential (psi)						Max Fluid Temp. °F	Seal Material	Power Consumption (Watts)		Model Code (120V/60HZ — 110V/50HZ) Shown
	Main	Top	Main	Top	Maximum								AC	DC	
					Air/Gas		Water		Light Oil						
					AC	DC	AC	DC	AC	DC					
1/4	3/64	1/16	.05	.10	150	120	150	120	—	—	295	EPR	10	10	S306GF02C8BV1
	1/16	1/16	.08	.10	120	100	120	100	—	—	295	EPR	10	10	S306GF02C8BC5
	3/32	3/32	.18	.23	75	25	75	25	—	—	295	EPR	10	10	S306GF02C8BC9
	1/8	3/32	.30	.23	75	20	75	20	—	—	295	EPR	10	10	S306GF02C8BV3
	5/32	3/32	.41	.23	60	20	60	20	—	—	295	EPR	10	10	S306GF02C8BV7
	3/16	3/32	.53	.23	30	20	30	20	—	—	295	EPR	10	10	S306GF02C8BV9
1/4	3/64	1/16	.05	.10	150	120	150	120	150	120	180	Nitrile	10	10	S306GF02N8BV1
	1/16	1/16	.08	.10	120	100	120	100	120	100	180	Nitrile	10	10	S306GF02N8BC5
	3/32	3/32	.18	.23	75	25	75	25	75	25	180	Nitrile	10	10	S306GF02N8BC9
	1/8	3/32	.30	.23	75	20	75	20	75	20	180	Nitrile	10	10	S306GF02N8BV3
	5/32	3/32	.41	.23	60	20	60	20	60	20	180	Nitrile	10	10	S306GF02N8BV7
	3/16	3/32	.53	.23	30	20	30	20	30	20	180	Nitrile	10	10	S306GF02N8BV9
1/4	3/64	1/16	.05	.10	150	120	150	120	150	120	230	Viton	10	10	S306GF02V8BV1
	1/16	1/16	.08	.10	120	100	120	100	120	100	230	Viton	10	10	S306GF02V8BC5
	3/32	3/32	.18	.23	75	25	75	25	75	25	230	Viton	10	10	S306GF02V8BC9
	1/8	3/32	.30	.23	75	20	75	20	75	20	230	Viton	10	10	S306GF02V8BV3
	5/32	3/32	.41	.23	60	20	60	20	60	20	230	Viton	10	10	S306GF02V8BV7
	3/16	3/32	.53	.23	30	20	30	20	30	20	230	Viton	10	10	S306GF02V8BV9
1/4	3/64	1/16	.05	.10	200	200	200	200	200	200	366*	Teflon	10	10	S306GF02T8BV1
	1/16	1/16	.08	.10	150	150	150	150	150	150	366*	Teflon	10	10	S306GF02T8BC5
	3/32	3/32	.18	.23	100	100	100	100	100	100	366*	Teflon	10	10	S306GF02T8BC9
	1/8	3/32	.30	.23	75	75	75	75	75	75	366*	Teflon	10	10	S306GF02T8BV3
	5/32	3/32	.41	.23	50	50	50	50	50	50	366*	Teflon	10	10	S306GF02T8BV7
	3/16	3/32	.53	.23	30	30	30	30	30	30	366*	Teflon	10	10	S306GF02T8BV9

* Class H Coil Recommended for High Temperature Applications

GC Valves Customer Service: 800-828-0484 (7:30am to 4pm ET) or 800-582-4232 (7:30am to 4pm PT)

S306 – 1/4" NPT, Brass Body, Universal



Part Numbering

1	2	3	4	5	6	7	8	9	10	11	12	13
S	3	0	6	G	F	0	2	C	8	B	V	1
Series			Operating Mode	Housing*	Coil Class*	Voltage*		Seal Material	Body Material	Pipe Connection	Orifice Size (Main x Top)	
S30			6: Universal	G: Conduit	F: Class F	02: 120/60 110/50		C: EPR N: Nitrile V: Viton T: Teflon	8: Brass	B: 1/4" NPT	V1: 3/64" x 1/16" C5: 1/16" x 1/16" C9: 3/32" x 3/32" V3: 1/8" x 3/32" V7: 5/32" x 3/32" V9: 3/16" x 3/32"	
* See the "Engineering Guide" for additional voltages, variations and options.												

Coil Data

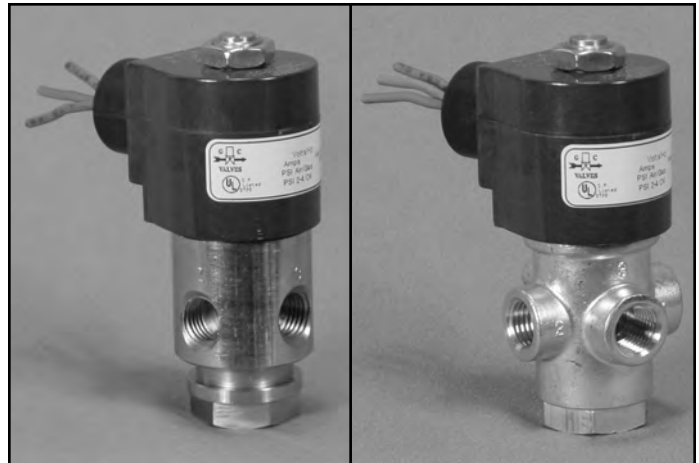
Coil Family	
Type	Size
All	S4

Frequency (Hz)	60	50
Nominal Power (VA)	Inrush	46
	Holding	20

S33 Series



- 1/4" NPT
- Brass Body
- 3-Way Direct Acting
- Universal



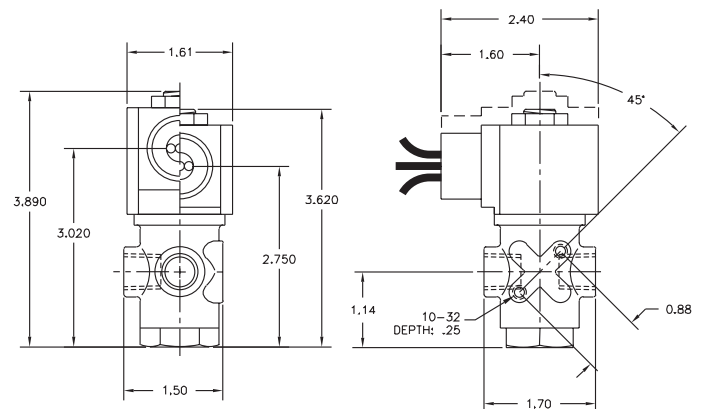
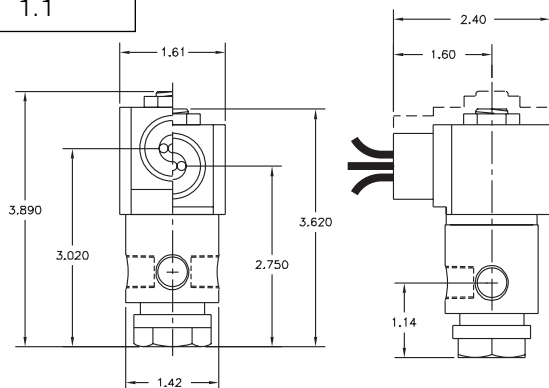
Materials	Seals:	Nitrile, Viton®, Ethylene Propylene
	Orifices:	Brass
Electrical	Standard Housing:	Encapsulated Waterproof Conduit (NEMA 4/4X)
	Optional Housings:	Metallic Conduit, Explosion-proof (NEMA 7), Grommet, Open Frame, Junction Box (single or dual knockouts), DIN; Contact GC Valves Customer Service for others.
	Standard Voltages:	24, 120, 240 AC 60 Hz; 50 Hz available 6, 12, 24 DC; Contact GC Valves Customer Service for Additional Voltages.
	Voltage Tolerance:	±10% of applicable voltage
	Coil Classes:	F, H, N
	Standard Lead Length:	24 inch
Operating Temperature	Ambient (Nominal):	32°F to 125°F
Mounting	Position	Any
Approvals*	Agency	UL Listed, UL Recognized, CSA Approved

* Not available for all variations

© Registered Trademark of DuPont Co.

Dimensions/Weight

Weight (lbs.)
1.1



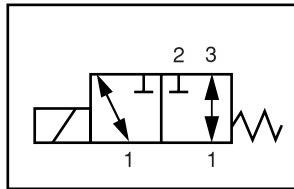
GC Valves Customer Service: 800-828-0484 (7:30am to 4pm ET) or 800-582-4232 (7:30am to 4pm PT)



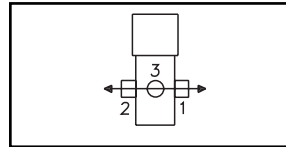
S336 – 1/4" NPT, Brass Body, Universal

Valve Selection List

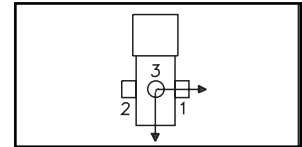
Universal



Energized



De-Energized



Pipe Size NPT	Orifice Size IN	C _v	Minimum	Operating Pressure Differential (psi)						Max Fluid Temp. °F	Seal Material	Power Consumption (Watts)		Model Code (120V/60HZ — 110V/50HZ) Shown	
				Maximum								AC	DC		
				Air/Gas		Water		Light Oil							
				AC	DC	AC	DC	AC	DC			AC	DC	Brass Body	
Reduced Power	1/4	1/16	.09	0	90	50	90	50	—	—	295	EPR	8	9	S336GF02C3BC5
	3/32	.15	0	55	40	55	40	—	—	295	EPR	8	9	S336GF02C3BC9	
	1/8	.26	0	25	20	25	20	—	—	295	EPR	8	9	S336GF02C3BD5	
1/4	1/16	.09	0	100	80	100	80	—	—	295	EPR	10	10	S336GF02C4BC5	
	3/32	.15	0	60	50	60	50	—	—	295	EPR	10	10	S336GF02C4BC9	
	1/8	.31	0	34	30	34	30	—	—	295	EPR	10	10	S336GF02C4BD5	
	11/64	.38	0	22	11	22	11	—	—	295	EPR	10	10	S336GF02C4BD8	
Reduced Power	1/4	1/16	.09	0	90	50	90	50	90	50	180	Nitrile	8	9	S336GF02N3BC5
	3/32	.15	0	55	40	55	40	55	40	180	Nitrile	8	9	S336GF02N3BC9	
	1/8	.26	0	25	20	25	20	25	20	180	Nitrile	8	9	S336GF02N3BD5	
1/4	1/16	.09	0	100	80	100	80	100	80	180	Nitrile	10	10	S336GF02N4BC5	
	3/32	.15	0	60	50	60	50	60	50	180	Nitrile	10	10	S336GF02N4BC9	
	1/8	.31	0	34	30	34	30	34	30	180	Nitrile	10	10	S336GF02N4BD5	
	11/64	.38	0	22	11	22	11	22	11	180	Nitrile	10	10	S336GF02N4BD8	
Reduced Power	1/4	1/16	.09	0	90	50	90	50	90	50	230	Viton	8	9	S336GF02V3BC5
	3/32	.15	0	55	40	55	40	55	40	230	Viton	8	9	S336GF02V3BC9	
	1/8	.26	0	25	20	25	20	25	20	230	Viton	8	9	S336GF02V3BD5	
1/4	1/16	.09	0	100	80	100	80	100	80	230	Viton	10	10	S336GF02V4BC5	
	3/32	.15	0	60	50	60	50	60	50	230	Viton	10	10	S336GF02V4BC9	
	1/8	.31	0	34	30	34	30	34	30	230	Viton	10	10	S336GF02V4BD5	
	11/64	.38	0	22	11	22	11	22	11	230	Viton	10	10	S336GF02V4BD8	

* Class H Coil Recommended for High Temperature Applications

GC Valves Customer Service: 800-828-0484 (7:30am to 4pm ET) or 800-582-4232 (7:30am to 4pm PT)

S31 Series



- 1/4" NPT
- Stainless Steel Body
- 3-Way Direct Acting
- Universal



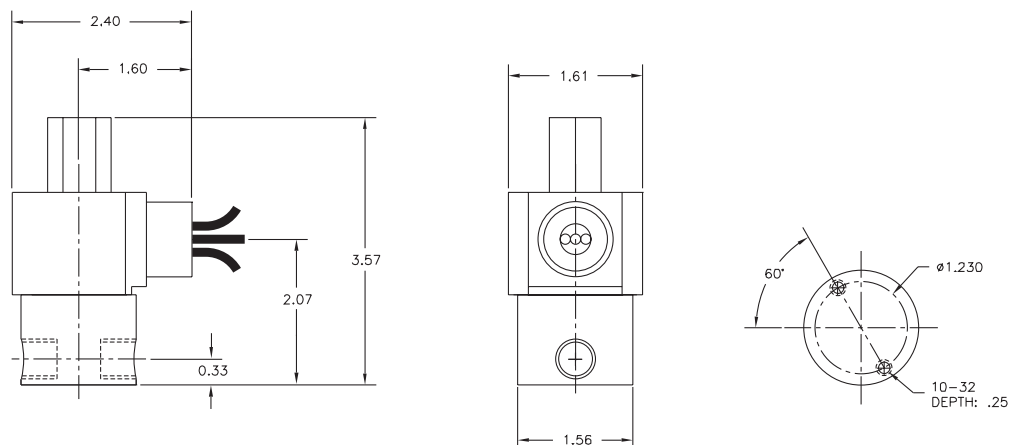
Materials	Seals:	Nitrile, Viton®, Ethylene Propylene or Teflon®
	Orifices: Top Main	Stainless Steel Stainless Steel
Electrical	Standard Housing:	Encapsulated Waterproof Conduit (NEMA 4/4X)
	Optional Housings:	Metallic Conduit, Explosion-proof (NEMA 7), Grommet, Open Frame, Junction Box (single or dual knockouts), DIN; Contact GC Valves Customer Service for others.
	Standard Voltages:	24, 120, 240 AC 60 Hz; 50 Hz available 6, 12, 24 DC; Contact GC Valves Customer Service for Additional Voltages.
	Voltage Tolerance:	±10% of applicable voltage
	Coil Classes:	F, H, N
	Standard Lead Length:	24 inch
Operating Temperature	Ambient (Nominal):	32°F to 125°F
Mounting	Position	Any
Approvals*	Agency	UL Listed, UL Recognized, CSA Approved

* Not available for all variations

© Registered Trademark of DuPont Co.

Dimensions/Weight

Weight (lbs.)
1.2



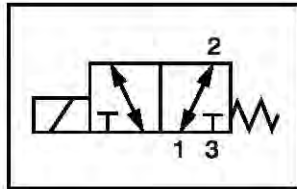
GC Valves Customer Service: 800-828-0484 (7:30am to 4pm ET) or 800-582-4232 (7:30am to 4pm PT)



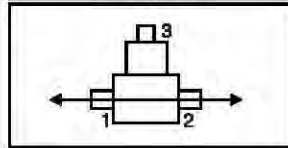
S316 – 1/4" NPT, Stainless Steel Body, Universal

Valve Selection List

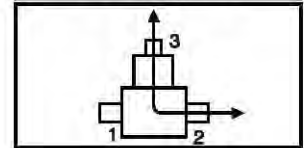
Universal



Energized



De-Energized



Pipe Size NPT	Orifice Size IN		C _v		Operating Pressure Differential (psi)						Max Fluid Temp. °F	Seal Material	Power Consumption (Watts)		Model Code (120V/60HZ — 110V/50HZ Shown)
	Main	Top	Main	Top	Air/Gas		Water		Light Oil				AC	DC	
					AC	DC	AC	DC	AC	DC					
	Stainless Steel Body														
1/4	3/64	3/64	.05	.05	150	150	150	150	—	—	295	EPR	8	9	S316GF02C3BC3
	3/64	1/16	.05	.10	80	80	80	80	—	—	295	EPR	8	9	S316GF02C3BV1
	1/16	1/16	.10	.10	80	40	80	40	—	—	295	EPR	8	9	S316GF02C3BC5
	3/32	3/64	.20	.05	60	60	60	60	—	—	295	EPR	8	9	S316GF02C3BW3
	1/8	3/32	.27	.20	45	5	45	5	—	—	295	EPR	8	9	S316GF02C3BV3
1/4	3/64	3/64	.05	.05	150	150	150	150	150	150	180	Nitrile	8	9	S316GF02N3BC3
	3/64	1/16	.05	.10	80	80	80	80	80	80	180	Nitrile	8	9	S316GF02N3BV1
	1/16	1/16	.10	.10	80	40	80	40	80	40	180	Nitrile	8	9	S316GF02N3BC5
	3/32	3/64	.20	.05	60	60	60	60	60	60	180	Nitrile	8	9	S316GF02N3BW3
	1/8	3/32	.27	.20	45	5	45	5	45	5	180	Nitrile	8	9	S316GF02N3BV3
1/4	3/64	3/64	.05	.05	150	150	150	150	150	150	230	Viton	8	9	S316GF02V3BC3
	3/64	1/16	.05	.10	80	80	80	80	80	80	230	Viton	8	9	S316GF02V3BV1
	1/16	1/16	.10	.10	80	40	80	40	80	40	230	Viton	8	9	S316GF02V3BC5
	3/32	3/64	.20	.05	60	60	60	60	60	60	230	Viton	8	9	S316GF02V3BW3
	1/8	3/32	.27	.20	45	5	45	5	45	5	230	Viton	8	9	S316GF02V3BV3
1/4	3/64	3/64	.05	.05	150	150	150	150	150	150	366*	Teflon	8	9	S316GF02T3BC3
	3/64	1/16	.05	.10	80	80	80	80	80	80	366*	Teflon	8	9	S316GF02T3BV1
	1/16	1/16	.10	.10	65	65	65	65	65	65	366*	Teflon	8	9	S316GF02T3BC5
	3/32	3/64	.20	.05	80	40	80	40	80	40	366*	Teflon	8	9	S316GF02T3BW3
	1/8	3/32	.27	.20	45	5	45	5	45	5	366*	Teflon	8	9	S316GF02T3BV3

* Class H Coil Recommended for High Temperature Applications

GC Valves Customer Service: 800-828-0484 (7:30am to 4pm ET) or 800-582-4232 (7:30am to 4pm PT)

S316 – 1/4" NPT, Stainless Steel Body, Universal



Part Numbering

1	2	3	4	5	6	7	8	9	10	11	12	13
S	3	1	6	G	F	0	2	C	3	B	C	3
Series			Operating Mode	Housing*	Coil Class*	Voltage*		Seal Material	Body Material	Pipe Connection	Orifice Size (Main x Top)	
S31			6: Universal	G: Conduit	F: Class F	02: 120/60 110/50		C: EPR N: Nitrile V: Viton T: Teflon	3: Stainless Steel	B: 1/4" NPT	C3: 3/64" x 3/64" V1: 3/64" x 1/16" C5: 1/16" x 1/16" W3: 3/32" x 3/64" V3: 1/8" x 3/32"	
* See the "Engineering Guide" for additional voltages, variations and options.												

Coil Data

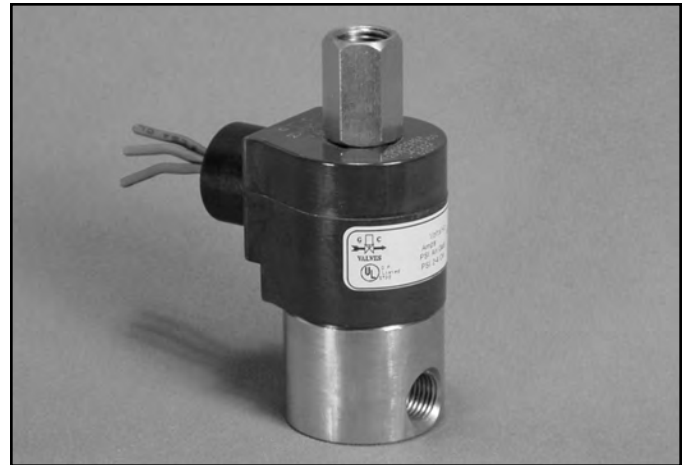
Coil Family	
Type	Size
All	S3

Frequency (Hz)	60	50
Nominal Power (VA)	Inrush	36
	Holding	16

S30 Series



- 1/4" NPT
- Stainless Steel Body
- 3-Way Direct Acting
- Universal



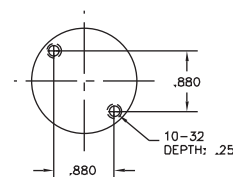
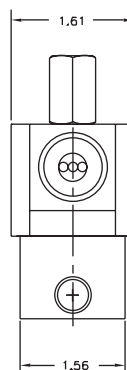
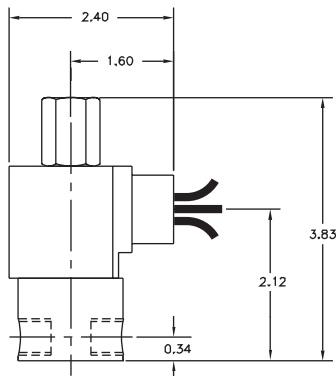
Materials	Seals:	Nitrile, Viton®, Ethylene Propylene or Teflon®
	Orifices: Top Main	Stainless Steel Stainless Steel
Electrical	Standard Housing:	Encapsulated Waterproof Conduit (NEMA 4/4X)
	Optional Housings:	Metallic Conduit, Explosion-proof (NEMA 7), Grommet, Open Frame, Junction Box (single or dual knockouts), DIN; Contact GC Valves Customer Service for others.
	Standard Voltages:	24, 120, 240 AC 60 Hz; 50 Hz available 6, 12, 24 DC; Contact GC Valves Customer Service for Additional Voltages.
	Voltage Tolerance:	±10% of applicable voltage
	Coil Classes:	F, H, N
	Standard Lead Length:	24 inch
Operating Temperature	Ambient (Nominal):	32° to 125°F
Mounting	Position	Any
Approvals*	Agency	UL Listed, UL Recognized, CSA Approved

* Not available for all variations

© Registered Trademark of DuPont Co.

Dimensions/Weight

Weight (lbs.)
1.2



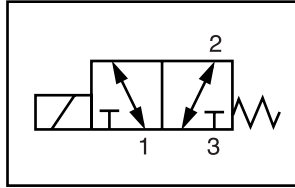
GC Valves Customer Service: 800-828-0484 (7:30am to 4pm ET) or 800-582-4232 (7:30am to 4pm PT)



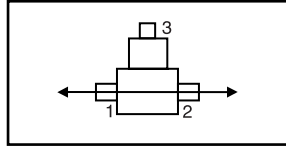
S306 – 1/4" NPT, Stainless Steel Body, Universal

Valve Selection List

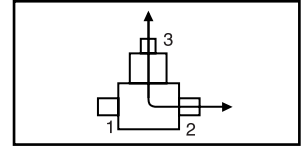
Universal



Energized



De-Energized



Pipe Size NPT	Orifice Size IN		C _v		Operating Pressure Differential (psi)						Max Fluid Temp. °F	Seal Material	Power Consumption (Watts)		Model Code (120V/60HZ — 110V/50HZ Shown)
	Main	Top	Main	Top	Maximum								AC	DC	
					Air/Gas		Water		Light Oil						
					AC	DC	AC	DC	AC	DC					
1/4	3/64	1/16	.05	.08	150	120	150	120	—	—	295	EPR	10	10	S306GF02C3BV1
	1/16	1/16	.08	.08	120	100	120	100	—	—	295	EPR	10	10	S306GF02C3BC5
	3/32	3/32	.18	.23	75	25	75	25	—	—	295	EPR	10	10	S306GF02C3BC9
	1/8	3/32	.30	.23	75	20	75	20	—	—	295	EPR	10	10	S306GF02C3BV3
	5/32	3/32	.41	.23	60	20	60	20	—	—	295	EPR	10	10	S306GF02C3BV7
	3/16	3/32	.53	.23	30	20	60	20	—	—	295	EPR	10	10	S306GF02C3BV9
1/4	3/64	1/16	.05	.08	150	120	150	120	150	120	180	Nitrile	10	10	S306GF02N3BV1
	1/16	1/16	.08	.08	120	100	120	100	120	100	180	Nitrile	10	10	S306GF02N3BC5
	3/32	3/32	.18	.23	75	25	75	25	75	25	180	Nitrile	10	10	S306GF02N3BC9
	1/8	3/32	.30	.23	75	20	75	20	75	20	180	Nitrile	10	10	S306GF02N3BV3
	5/32	3/32	.41	.23	60	20	60	20	60	20	180	Nitrile	10	10	S306GF02N3BV7
	3/16	3/32	.53	.23	30	20	30	20	30	20	180	Nitrile	10	10	S306GF02N3BV9
1/4	3/64	1/16	.05	.08	150	120	150	120	150	120	230	Viton	10	10	S306GF02V3BV1
	1/16	1/16	.08	.08	120	100	120	100	120	100	230	Viton	10	10	S306GF02V3BC5
	3/32	3/32	.18	.23	75	25	75	25	75	25	230	Viton	10	10	S306GF02V3BC9
	1/8	3/32	.30	.23	75	20	75	20	75	20	230	Viton	10	10	S306GF02V3BV3
	5/32	3/32	.41	.23	60	20	60	20	60	20	230	Viton	10	10	S306GF02V3BV7
	3/16	3/32	.53	.23	30	20	30	20	30	20	230	Viton	10	10	S306GF02V3BV9
1/4	3/64	1/16	.05	.08	150	120	150	120	150	120	366*	Teflon	10	10	S306GF02T3BV1
	1/16	1/16	.08	.08	120	100	120	100	120	100	366*	Teflon	10	10	S306GF02T3BC5
	3/32	3/32	.18	.23	75	25	75	25	75	25	366*	Teflon	10	10	S306GF02T3BC9
	1/8	3/32	.30	.23	75	20	75	20	75	20	366*	Teflon	10	10	S306GF02T3BV3
	5/32	3/32	.41	.23	60	20	60	20	60	20	366*	Teflon	10	10	S306GF02T3BV7
	3/16	3/32	.53	.23	30	20	30	20	30	20	366*	Teflon	10	10	S306GF02T3BV9

* Class H Coil Recommended for High Temperature Applications

GC Valves Customer Service: 800-828-0484 (7:30am to 4pm ET) or 800-582-4232 (7:30am to 4pm PT)

S306 – 1/4" NPT, Stainless Steel Body, Universal



Part Numbering

1	2	3	4	5	6	7	8	9	10	11	12	13
S	3	0	6	G	F	0	2	C	3	B	V	1
Series			Operating Mode	Housing*	Coil Class*	Voltage*		Seal Material	Body Material	Pipe Connection	Orifice Size (Main x Top)	
S30			6: Universal	G: Conduit	F: Class F	02: 120/60 110/50		C: EPR N: Nitrile V: Viton T: Teflon	3: Stainless Steel	B: 1/4" NPT	V1: 3/64" x 1/16" C5: 1/16" x 1/16" C9: 3/32" x 3/32" V3: 1/8" x 3/32" V7: 5/32" x 3/32" V9: 3/16" x 3/32"	
* See the "Engineering Guide" for additional voltages, variations and options.												

Coil Data

Coil Family	
Type	Size
All	S4

Frequency (Hz)	60	50
Nominal Power (VA)	Inrush	46
	Holding	20

- 1/4" NPT
- Stainless Steel Body
- 3-Way Direct Acting
- Universal



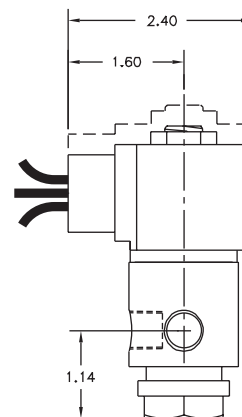
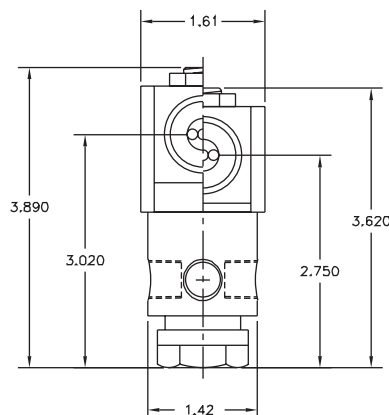
Materials	Seals:	Nitrile, Viton®, Ethylene Propylene
	Orifices:	Stainless Steel
Electrical	Standard Housing:	Encapsulated Waterproof Conduit (NEMA 4/4X)
	Optional Housings:	Metallic Conduit, Explosion-proof (NEMA 7), Grommet, Open Frame, Junction Box (single or dual knockouts), DIN; Contact GC Valves Customer Service for others.
	Standard Voltages:	24, 120, 240 AC 60 Hz; 50 Hz available 6, 12, 24 DC; Contact GC Valves Customer Service for Additional Voltages.
	Voltage Tolerance:	±10% of applicable voltage
	Coil Classes:	F, H, N
	Standard Lead Length:	24 inch
Operating Temperature	Ambient (Nominal):	32°F to 125°F
Mounting	Position	Any
Approvals*	Agency	UL Listed, UL Recognized, CSA Approved

* Not available for all variations

© Registered Trademark of DuPont Co.

Dimensions/Weight

Weight (lbs.)
1.1



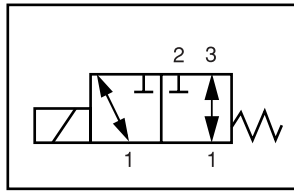
GC Valves Customer Service: 800-828-0484 (7:30am to 4pm ET) or 800-582-4232 (7:30am to 4pm PT)



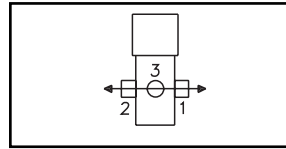
S336 – 1/4" NPT, Stainless Steel Body, Universal

Valve Selection List

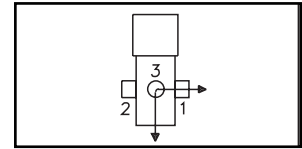
Universal



Energized



De-Energized



Pipe Size NPT	Orifice Size IN	C _v	Minimum	Operating Pressure Differential (psi)						Max Fluid Temp. °F	Seal Material	Power Consumption (Watts)		Model Code (120V/60HZ — 110V/50HZ) Shown	
				Maximum								AC	DC		
				Air/Gas		Water		Light Oil							
				AC	DC	AC	DC	AC	DC			AC	DC	Stainless Steel Body	
Reduced Power	1/4	1/16	.09	0	90	50	90	50	–	–	295	EPR	8	9	S336GF02C7BC5
		3/32	.15	0	55	40	55	40	–	–	295	EPR	8	9	S336GF02C7BC9
		1/8	.26	0	25	20	25	20	–	–	295	EPR	8	9	S336GF02C7BD5
1/4	1/16	.09	0	100	80	100	80	–	–	295	EPR	10	10	S336GF02C8BC5	
		3/32	.15	0	60	50	60	50	–	–	295	EPR	10	10	S336GF02C8BC9
		1/8	.31	0	34	30	34	30	–	–	295	EPR	10	10	S336GF02C8BD5
		11/64	.38	0	22	11	22	11	–	–	295	EPR	10	10	S336GF02C8BD8
Reduced Power	1/4	1/16	.09	0	90	50	90	50	90	50	180	Nitrile	8	9	S336GF02N7BC5
		3/32	.15	0	55	40	55	40	55	40	180	Nitrile	8	9	S336GF02N7BC9
		1/8	.26	0	25	20	25	20	25	20	180	Nitrile	8	9	S336GF02N7BD5
1/4	1/16	.09	0	100	80	100	80	100	80	180	Nitrile	10	10	S336GF02N8BC5	
		3/32	.15	0	60	50	60	50	60	50	180	Nitrile	10	10	S336GF02N8BC9
		1/8	.31	0	34	30	34	30	34	30	180	Nitrile	10	10	S336GF02N8BD5
		11/64	.38	0	22	11	22	11	22	11	180	Nitrile	10	10	S336GF02N8BD8
Reduced Power	1/4	1/16	.09	0	90	50	90	50	90	50	230	Viton	8	9	S336GF02V7BC5
		3/32	.15	0	55	40	55	40	55	40	230	Viton	8	9	S336GF02V7BC9
		1/8	.26	0	25	20	25	20	25	20	230	Viton	8	9	S336GF02V7BD5
1/4	1/16	.09	0	100	80	100	80	100	80	230	Viton	10	10	S336GF02V8BC5	
		3/32	.15	0	60	50	60	50	60	50	230	Viton	10	10	S336GF02V8BC9
		1/8	.31	0	34	30	34	30	34	30	230	Viton	10	10	S336GF02V8BD5
		11/64	.38	0	22	11	22	11	22	11	230	Viton	10	10	S336GF02V8BD8

* Class H Coil Recommended for High Temperature Applications

GC Valves Customer Service: 800-828-0484 (7:30am to 4pm ET) or 800-582-4232 (7:30am to 4pm PT)

S336 – 1/4" NPT, Stainless Steel Body, Universal



Part Numbering

1	2	3	4	5	6	7	8	9	10	11	12	13
S	3	3	6	G	F	0	2	C	7	B	C	5
Series			Operating Mode	Housing*	Coil Class*	Voltage*		Seal Material	Body Material	Pipe Connection	Orifice Size	
S33			6: Universal	G: Conduit	F: Class F	02: 120/60 110/50		C: EPR N: Nitrile V: Viton	7: Stainless Steel 8: Stainless Steel	B: 1/4" NPT	C5: 1/16" C9: 3/32" D5: 1/8" D8: 11/64"	
* See the "Engineering Guide" for additional voltages, variations and options.												

Coil Data

Coil Family	
Type	Size
(Body Code)	
7	S3
8	S4

Frequency (Hz)	60		50	
	7	8	7	8
Body	7	8	7	8
Nominal Power (VA)				
Inrush	36	46	36	46
Holding	13	18	14	19