

# S31 Series



- 1/8" NPT
- Brass Body
- 3-Way Direct Acting
- Universal



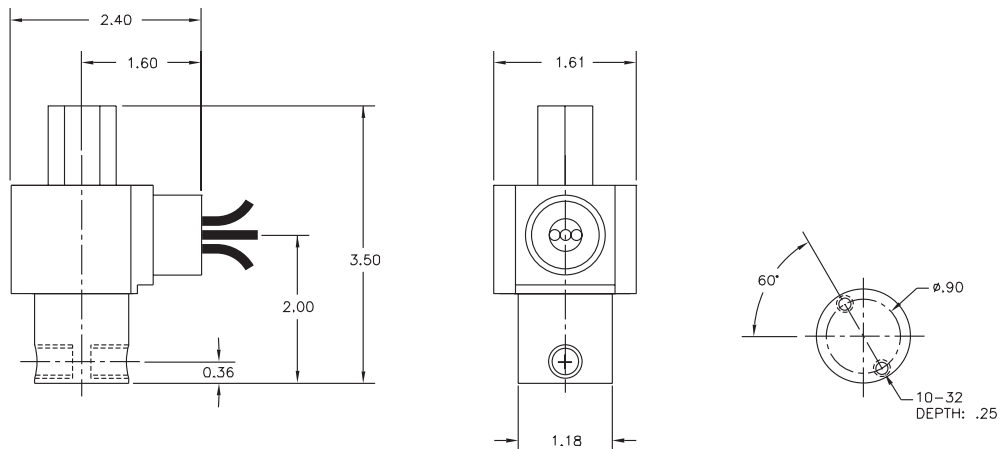
Materials	Seals:	Nitrile, Viton®, Ethylene Propylene or Teflon®
	Orifices:      Top Main	Stainless Steel Stainless Steel
Electrical	Standard Housing:	Encapsulated Waterproof Conduit (NEMA 4/4X)
	Optional Housings:	Metallic Conduit, Explosion-proof (NEMA 7), Grommet, Open Frame, Junction Box (single or dual knockouts), DIN; Contact GC Valves Customer Service for others.
	Standard Voltages:	24, 120, 240 AC 60 Hz; 50 Hz available 6, 12, 24 DC; Contact GC Valves Customer Service for Additional Voltages.
	Voltage Tolerance:	±10% of applicable voltage
	Coil Classes:	F, H, N
	Standard Lead Length:	24 inch
Operating Temperature	Ambient (Nominal):	32° to 125°F
Mounting	Position	Any
Approvals*	Agency	UL Listed, UL Recognized, CSA Approved

\* Not available for all variations

© Registered Trademark of DuPont Co.

## Dimensions/Weight

<b>Weight (lbs.)</b>
1.0



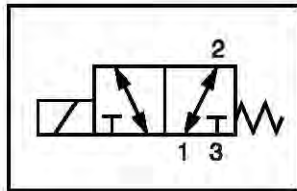
GC Valves Customer Service: 800-828-0484 (7:30am to 4pm ET) or 800-582-4232 (7:30am to 4pm PT)



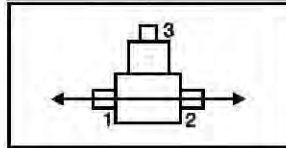
# S316 – 1/8" NPT, Brass Body, Universal

## Valve Selection List

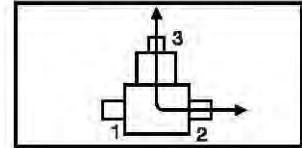
Universal



Energized



De-Energized



Pipe Size NPT	Orifice Size IN		C <sub>v</sub>		Operating Pressure Differential (psi)						Max Fluid Temp. °F	Seal Material	Power Consumption (Watts)		Model Code ( 120V/60HZ — 110V/50HZ Shown )
	Main	Top	Main	Top	Air/Gas		Water		Light Oil				AC	DC	
					AC	DC	AC	DC	AC	DC					
															Brass Body
1/8	3/64	3/64	.05	.05	150	150	150	150	—	—	295	EPR	8	9	S316GF02C8AC3
	3/64	1/16	.05	.10	80	80	80	80	—	—	295	EPR	8	9	S316GF02C8AV1
	1/16	1/16	.10	.10	80	40	80	40	—	—	295	EPR	8	9	S316GF02C8AC5
	3/32	3/64	.20	.05	60	60	60	60	—	—	295	EPR	8	9	S316GF02C8AW3
	1/8	3/32	.27	.20	45	5	45	5	—	—	295	EPR	8	9	S316GF02C8AV3
1/8	3/64	3/64	.05	.05	150	150	150	150	150	150	180	Nitrile	8	9	S316GF02N8AC3
	3/64	1/16	.05	.10	80	80	80	80	80	80	180	Nitrile	8	9	S316GF02N8AV1
	1/16	1/16	.10	.10	80	40	80	40	80	40	180	Nitrile	8	9	S316GF02N8AC5
	3/32	3/64	.20	.05	60	60	60	60	60	60	180	Nitrile	8	9	S316GF02N8AW3
	1/8	3/32	.27	.20	45	5	45	5	45	5	180	Nitrile	8	9	S316GF02N8AV3
1/8	3/64	3/64	.05	.05	150	150	150	150	150	150	230	Viton	8	9	S316GF02V8AC3
	3/64	1/16	.05	.10	80	80	80	80	80	80	230	Viton	8	9	S316GF02V8AV1
	1/16	1/16	.10	.10	80	40	80	40	80	40	230	Viton	8	9	S316GF02V8AC5
	3/32	3/64	.20	.05	60	60	60	60	60	60	230	Viton	8	9	S316GF02V8AW3
	1/8	3/32	.27	.20	45	5	45	5	45	5	230	Viton	8	9	S316GF02V8AV3
1/8	3/64	3/64	.05	.05	150	150	150	150	150	150	366*	Teflon	8	9	S316GF02T8AC3
	3/64	1/16	.05	.10	80	80	80	80	80	80	366*	Teflon	8	9	S316GF02T8AV1
	1/16	1/16	.10	.10	65	65	65	65	65	65	366*	Teflon	8	9	S316GF02T8AC5
	3/32	3/64	.20	.05	80	40	80	40	80	40	366*	Teflon	8	9	S316GF02T8AW3
	1/8	3/32	.27	.20	45	5	45	5	45	5	366*	Teflon	8	9	S316GF02T8AV3

\* Class H Coil Recommended for High Temperature Applications

GC Valves Customer Service: 800-828-0484 (7:30am to 4pm ET) or 800-582-4232 (7:30am to 4pm PT)

# S316 – 1/8" NPT, Brass Body, Universal



## Part Numbering

1	2	3	4	5	6	7	8	9	10	11	12	13
<b>S</b>	<b>3</b>	<b>1</b>	<b>6</b>	<b>G</b>	<b>F</b>	<b>0</b>	<b>2</b>	<b>C</b>	<b>8</b>	<b>A</b>	<b>C</b>	<b>3</b>
Series			Operating Mode	Housing*	Coil Class*	Voltage*		Seal Material	Body Material	Pipe Connection	Orifice Size (Main x Top)	
S31			6: Universal	G: Conduit	F: Class F	02: 120/60 110/50		C: EPR N: Nitrile V: Viton T: Teflon	8: Brass	A: 1/8" NPT	C3: 3/64" x 3/64" V1: 3/64" x 1/16" C5: 1/16" x 1/16" W3: 3/32" x 3/64" V3: 1/8" x 3/32"	
* See the "Engineering Guide" for additional voltages, variations and options.												

## Coil Data

Coil Family	
Type	Size
All	S3

Frequency (Hz)	60	50	
Nominal Power (VA)	Inrush	36	36
	Holding	16	17

# S30 Series



- 1/8" NPT
- Brass Body
- 3-Way Direct Acting
- Universal



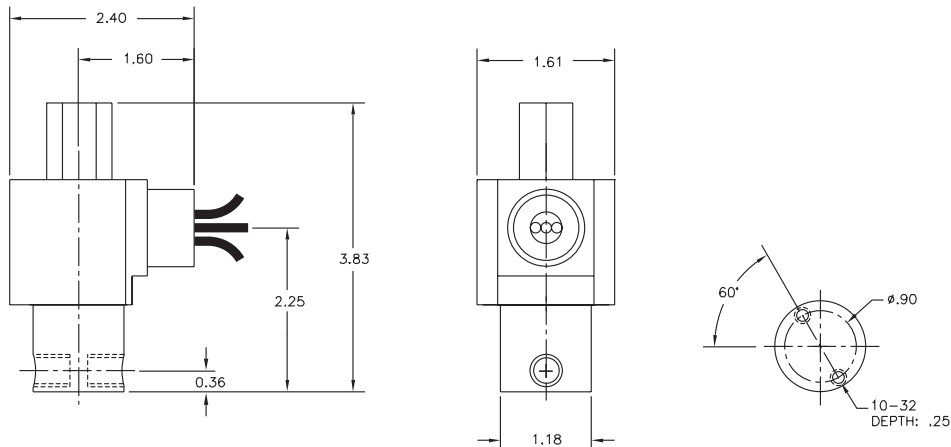
Materials	Seals:	Nitrile, Viton®, Ethylene Propylene or Teflon®
	Orifices:      Top Main	Stainless Steel Stainless Steel
Electrical	Standard Housing:	Encapsulated Waterproof Conduit (NEMA 4/4X)
	Optional Housings:	Metallic Conduit, Explosion-proof (NEMA 7), Grommet, Open Frame, Junction Box (single or dual knockouts), DIN; Contact GC Valves Customer Service for others.
	Standard Voltages:	24, 120, 240 AC 60 Hz; 50 Hz available 6, 12, 24 DC; Contact GC Valves Customer Service for Additional Voltages.
	Voltage Tolerance:	±10% of applicable voltage
	Coil Classes:	F, H, N
	Standard Lead Length:	24 inch
Operating Temperature	Ambient (Nominal):	32° to 125°F
Mounting	Position	Any
Approvals*	Agency	UL Listed, UL Recognized, CSA Approved

\* Not available for all variations

© Registered Trademark of DuPont Co.

## Dimensions/Weight

<b>Weight (lbs.)</b>
1.0



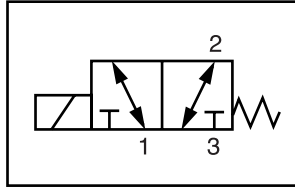
**GC Valves Customer Service: 800-828-0484 (7:30am to 4pm ET) or 800-582-4232 (7:30am to 4pm PT)**



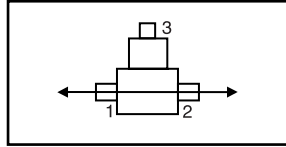
# S306 – 1/8" NPT, Brass Body, Universal

## Valve Selection List

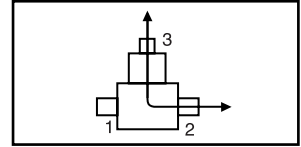
Universal



Energized



De-Energized



Pipe Size NPT	Orifice Size IN		C <sub>v</sub>		Operating Pressure Differential (psi)						Max Fluid Temp. °F	Seal Material	Power Consumption (Watts)		Model Code ( 120V/60HZ — 110V/50HZ Shown )
	Main	Top	Main	Top	Air/Gas		Water		Light Oil				AC	DC	
					AC	DC	AC	DC	AC	DC					
	Brass Body														
1/8	3/64	1/16	.05	.10	150	120	150	120	—	—	295	EPR	10	10	S306GF02C8AV1
	1/16	1/16	.08	.10	120	100	120	100	—	—	295	EPR	10	10	S306GF02C8AC5
	3/32	3/32	.18	.23	75	25	75	25	—	—	295	EPR	10	10	S306GF02C8AC9
	1/8	3/32	.30	.23	75	20	75	20	—	—	295	EPR	10	10	S306GF02C8AV3
	5/32	3/32	.41	.23	60	20	60	20	—	—	295	EPR	10	10	S306GF02C8AV7
	3/16	3/32	.53	.23	30	20	30	20	—	—	295	EPR	10	10	S306GF02C8AV9
1/8	3/64	1/16	.05	.10	150	120	150	120	150	120	180	Nitrile	10	10	S306GF02N8AV1
	1/16	1/16	.08	.10	120	100	120	100	120	100	180	Nitrile	10	10	S306GF02N8AC5
	3/32	3/32	.18	.23	75	25	75	25	75	25	180	Nitrile	10	10	S306GF02N8AC9
	1/8	3/32	.30	.23	75	20	75	20	75	20	180	Nitrile	10	10	S306GF02N8AV3
	5/32	3/32	.41	.23	60	20	60	20	60	20	180	Nitrile	10	10	S306GF02N8AV7
	3/16	3/32	.53	.23	30	20	30	20	30	20	180	Nitrile	10	10	S306GF02N8AV9
1/8	3/64	1/16	.05	.10	150	120	150	120	150	120	230	Viton	10	10	S306GF02V8AV1
	1/16	1/16	.08	.10	120	100	120	100	120	100	230	Viton	10	10	S306GF02V8AC5
	3/32	3/32	.18	.23	75	25	75	25	75	25	230	Viton	10	10	S306GF02V8AC9
	1/8	3/32	.30	.23	75	20	75	20	75	20	230	Viton	10	10	S306GF02V8AV3
	5/32	3/32	.41	.23	60	20	60	20	60	20	230	Viton	10	10	S306GF02V8AV7
	3/16	3/32	.53	.23	30	20	30	20	30	20	230	Viton	10	10	S306GF02V8AV9
1/8	3/64	1/16	.05	.10	200	200	200	200	200	200	366*	Teflon	10	10	S306GF02T8AV1
	1/16	1/16	.08	.10	150	150	150	150	150	150	366*	Teflon	10	10	S306GF02T8AC5
	3/32	3/32	.18	.23	100	100	100	100	100	100	366*	Teflon	10	10	S306GF02T8AC9
	1/8	3/32	.30	.23	75	75	75	75	75	75	366*	Teflon	10	10	S306GF02T8AV3
	5/32	3/32	.41	.23	50	50	50	50	50	50	366*	Teflon	10	10	S306GF02T8AV7
	3/16	3/32	.53	.23	30	30	30	30	30	30	366*	Teflon	10	10	S306GF02T8AV9

\* Class H Coil Recommended for High Temperature Applications

GC Valves Customer Service: 800-828-0484 (7:30am to 4pm ET) or 800-582-4232 (7:30am to 4pm PT)

# S306 – 1/8" NPT, Brass Body, Universal



## Part Numbering

1	2	3	4	5	6	7	8	9	10	11	12	13
<b>S</b>	<b>3</b>	<b>0</b>	<b>6</b>	<b>G</b>	<b>F</b>	<b>0</b>	<b>2</b>	<b>C</b>	<b>8</b>	<b>A</b>	<b>V</b>	<b>1</b>
Series			Operating Mode	Housing*	Coil Class*	Voltage*		Seal Material	Body Material	Pipe Connection	Orifice Size (Main x Top)	
S30			6: Universal	G: Conduit	F: Class F	02: 120/60 110/50		C: EPR N: Nitrile V: Viton T: Teflon	8: Brass	A: 1/8" NPT	V1: 3/64" x 1/16" C5: 1/16" x 1/16" C9: 3/32" x 3/32" V3: 1/8" x 3/32" V7: 5/32" x 3/32" V9: 3/16" x 3/32"	
* See the "Engineering Guide" for additional voltages, variations and options.												

## Coil Data

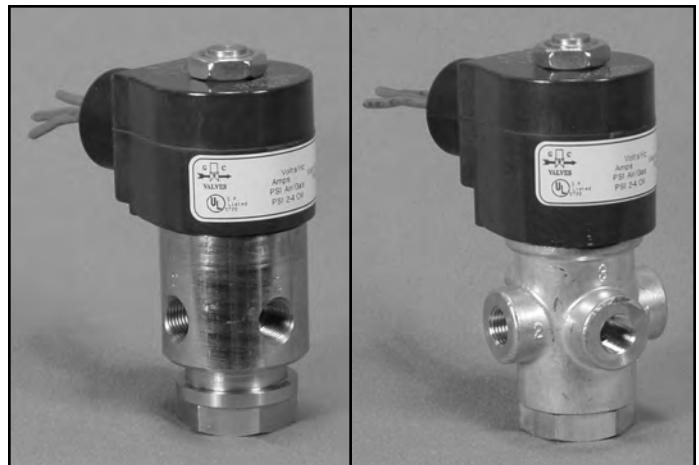
Coil Family	
Type	Size
All	S4

Frequency (Hz)	60	50
Nominal Power (VA)	Inrush	46
	Holding	20

# S33 Series



- 1/8" NPT
- Brass Body
- 3-Way Direct Acting
- Universal



Materials	Seals:	Nitrile, Viton®, Ethylene Propylene
	Orifices:	Brass
Electrical	Standard Housing:	Encapsulated Waterproof Conduit (NEMA 4/4X)
	Optional Housings:	Metallic Conduit, Explosion-proof (NEMA 7), Grommet, Open Frame, Junction Box (single or dual knockouts), DIN; Contact GC Valves Customer Service for others.
	Standard Voltages:	24, 120, 240 AC 60 Hz; 50 Hz available 6, 12, 24 DC; Contact GC Valves Customer Service for Additional Voltages.
	Voltage Tolerance:	±10% of applicable voltage
	Coil Classes:	F, H, N
	Standard Lead Length:	24 inch
Operating Temperature	Ambient (Nominal):	32°F to 125°F
Mounting	Position	Any
Approvals*	Agency	UL Listed, UL Recognized, CSA Approved

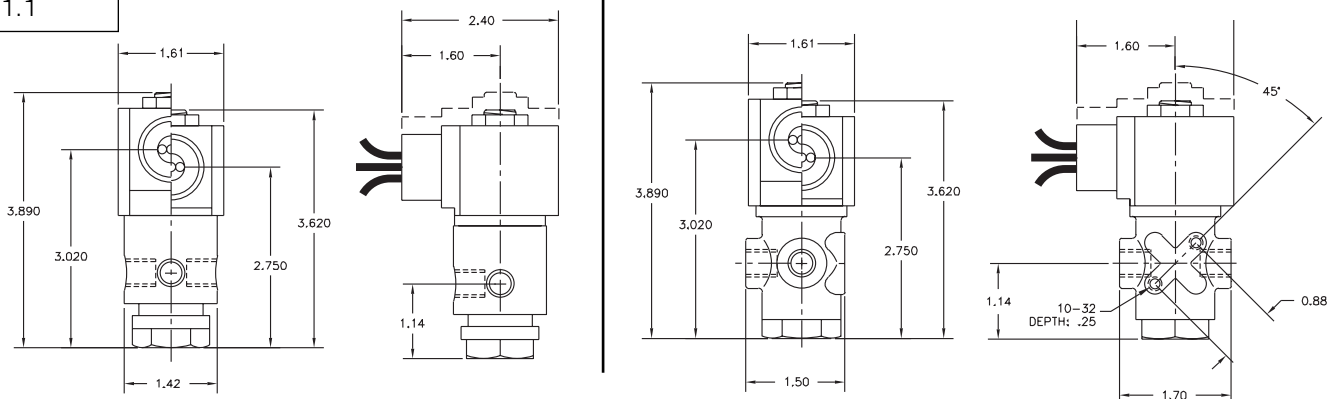
\* Not available for all variations

© Registered Trademark of DuPont Co.

## Dimensions/Weight

Weight (lbs.)

1.1



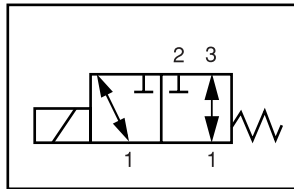
GC Valves Customer Service: 800-828-0484 (7:30am to 4pm ET) or 800-582-4232 (7:30am to 4pm PT)



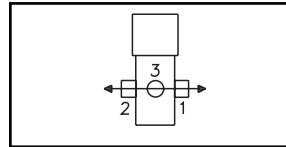
# S336 – 1/8" NPT, Brass Body, Universal

## Valve Selection List

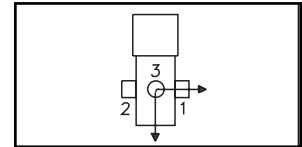
Universal



Energized



De-Energized



Pipe Size NPT	Orifice Size IN	C <sub>v</sub>	Minimum	Operating Pressure Differential (psi)						Max Fluid Temp. °F	Seal Material	Power Consumption (Watts)		Model Code ( 120V/60HZ — 110V/50HZ ) Shown	
				Maximum								AC	DC		
				Air/Gas		Water		Light Oil							
				AC	DC	AC	DC	AC	DC			AC	DC	Brass Body	
Reduced Power	1/8	1/16	.09	0	90	50	90	50	—	—	295	EPR	8	9	S336GF02C3AC5
	3/32	.15	0	55	40	55	40	—	—	295	EPR	8	9	S336GF02C3AC9	
	1/8	.26	0	25	20	25	20	—	—	295	EPR	8	9	S336GF02C3AD5	
1/8	1/16	.09	0	100	80	100	80	—	—	295	EPR	10	10	S336GF02C4AC5	
	3/32	.15	0	60	50	60	50	—	—	295	EPR	10	10	S336GF02C4AC9	
	1/8	.31	0	34	30	34	30	—	—	295	EPR	10	10	S336GF02C4AD5	
	11/64	.38	0	22	11	22	11	—	—	295	EPR	10	10	S336GF02C4AD8	
Reduced Power	1/8	1/16	.09	0	90	50	90	50	90	50	180	Nitrile	8	9	S336GF02N3AC5
	3/32	.15	0	55	40	55	40	55	40	180	Nitrile	8	9	S336GF02N3AC9	
	1/8	.26	0	25	20	25	20	25	20	180	Nitrile	8	9	S336GF02N3AD5	
1/8	1/16	.09	0	100	80	100	80	100	80	180	Nitrile	10	10	S336GF02N4AC5	
	3/32	.15	0	60	50	60	50	60	50	180	Nitrile	10	10	S336GF02N4AC9	
	1/8	.31	0	34	30	34	30	34	30	180	Nitrile	10	10	S336GF02N4AD5	
	11/64	.38	0	22	11	22	11	22	11	180	Nitrile	10	10	S336GF02N4AD8	
Reduced Power	1/8	1/16	.09	0	90	50	90	50	90	50	230	Viton	8	9	S336GF02V3AC5
	3/32	.15	0	55	40	55	40	55	40	230	Viton	8	9	S336GF02V3AC9	
	1/8	.26	0	25	20	25	20	25	20	230	Viton	8	9	S336GF02V3AD5	
1/8	1/16	.09	0	100	80	100	80	100	80	230	Viton	10	10	S336GF02V4AC5	
	3/32	.15	0	60	50	60	50	60	50	230	Viton	10	10	S336GF02V4AC9	
	1/8	.31	0	34	30	34	30	34	30	230	Viton	10	10	S336GF02V4AD5	
	11/64	.38	0	22	11	22	11	22	11	230	Viton	10	10	S336GF02V4AD8	

\* Class H Coil Recommended for High Temperature Applications

GC Valves Customer Service: 800-828-0484 (7:30am to 4pm ET) or 800-582-4232 (7:30am to 4pm PT)



# S336 – 1/8" NPT, Brass Body, Universal



## Part Numbering

1	2	3	4	5	6	7	8	9	10	11	12	13
<b>S</b>	<b>3</b>	<b>3</b>	<b>6</b>	<b>G</b>	<b>F</b>	<b>0</b>	<b>2</b>	<b>C</b>	<b>3</b>	<b>A</b>	<b>C</b>	<b>5</b>
Series			Operating Mode	Housing*	Coil Class*	Voltage*		Seal Material	Body Material	Pipe Connection	Orifice Size	
S33			6: Universal	G: Conduit	F: Class F	02: 120/60 110/50		C: EPR N: Nitrile V: Viton	3: Brass 4: Brass	A: 1/8" NPT	C5: 1/16" C9: 3/32" D5: 1/8" D8: 11/64"	
* See the "Engineering Guide" for additional voltages, variations and options.												

## Coil Data

Coil Family	
Type	Size
(Body Code)	
3	S3
4	S4

Frequency (Hz)	60		50	
	3	4	3	4
Body				
Nominal Power (VA)				
Inrush	36	46	36	46
Holding	13	18	13	19

# S31 Series



- 1/8" NPT
- Stainless Steel Body
- 3-Way Direct Acting
- Universal



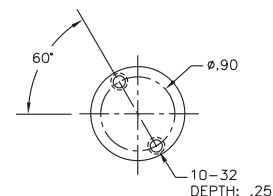
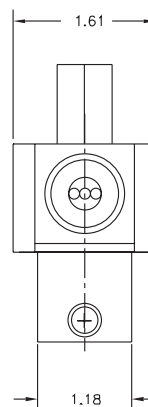
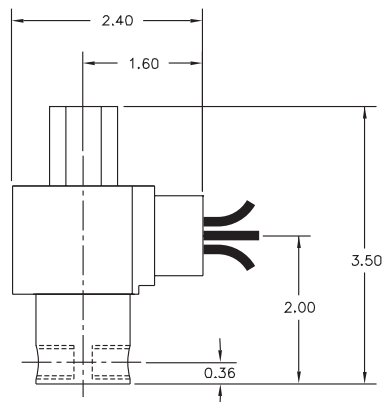
Materials	Seals:	Nitrile, Viton®, Ethylene Propylene or Teflon®
	Orifices:      Top Main	Stainless Steel Stainless Steel
Electrical	Standard Housing:	Encapsulated Waterproof Conduit (NEMA 4/4X)
	Optional Housings:	Metallic Conduit, Explosion-proof (NEMA 7), Grommet, Open Frame, Junction Box (single or dual knockouts), DIN; Contact GC Valves Customer Service for others.
	Standard Voltages:	24, 120, 240 AC 60 Hz; 50 Hz available 6, 12, 24 DC; Contact GC Valves Customer Service for Additional Voltages.
	Voltage Tolerance:	±10% of applicable voltage
	Coil Classes:	F, H, N
	Standard Lead Length:	24 inch
Operating Temperature	Ambient (Nominal):	32°F to 125°F
Mounting	Position	Any
Approvals*	Agency	UL Listed, UL Recognized, CSA Approved

\* Not available for all variations

© Registered Trademark of DuPont Co.

## Dimensions/Weight

<b>Weight (lbs.)</b>
1.0



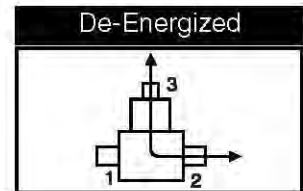
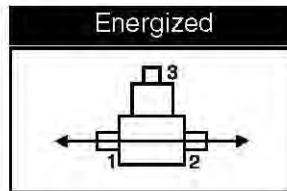
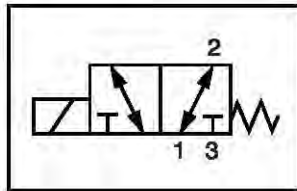
GC Valves Customer Service: 800-828-0484 (7:30am to 4pm ET) or 800-582-4232 (7:30am to 4pm PT)



# S316 – 1/8" NPT, Stainless Steel Body, Universal

## Valve Selection List

Universal



Pipe Size NPT	Orifice Size IN		C <sub>v</sub>		Operating Pressure Differential (psi)						Max Fluid Temp. °F	Seal Material	Power Consumption (Watts)		Model Code ( 120V/60HZ — 110V/50HZ Shown )
	Main	Top	Main	Top	Maximum								AC	DC	
					Air/Gas		Water		Light Oil						
	AC	DC	AC	DC	AC	DC	AC	DC							
1/8	3/64	3/64	.05	.05	150	150	150	150	—	—	295	EPR	8	9	S316GF02C2AC3
	3/64	1/16	.05	.10	80	80	80	80	—	—	295	EPR	8	9	S316GF02C2AV1
	1/16	1/16	.08	.10	80	40	80	40	—	—	295	EPR	8	9	S316GF02C2AC5
	3/32	3/64	.20	.05	60	60	60	60	—	—	295	EPR	8	9	S316GF02C2AW3
	1/8	3/32	.27	.20	45	5	45	5	—	—	295	EPR	8	9	S316GF02C2AV3
1/8	3/64	3/64	.05	.05	150	150	150	150	150	150	180	Nitrile	8	9	S316GF02N2AC3
	3/64	1/16	.05	.10	80	80	80	80	80	80	180	Nitrile	8	9	S316GF02N2AV1
	1/16	1/16	.08	.10	80	40	80	40	80	40	180	Nitrile	8	9	S316GF02N2AC5
	3/32	3/64	.20	.05	60	60	60	60	60	60	180	Nitrile	8	9	S316GF02N2AW3
	1/8	3/32	.27	.20	45	5	45	5	45	5	180	Nitrile	8	9	S316GF02N2AV3
1/8	3/64	3/64	.05	.05	150	150	150	150	150	150	230	Viton	8	9	S316GF02V2AC3
	3/64	1/16	.05	.10	80	80	80	80	80	80	230	Viton	8	9	S316GF02V2AV1
	1/16	1/16	.08	.10	80	40	80	40	80	40	230	Viton	8	9	S316GF02V2AC5
	3/32	3/64	.20	.05	60	60	60	60	60	60	230	Viton	8	9	S316GF02V2AW3
	1/8	3/32	.27	.20	45	5	45	5	45	5	230	Viton	8	9	S316GF02V2AV3
1/8	3/64	3/64	.05	.05	150	150	150	150	150	150	366*	Teflon	8	9	S316GF02T2AC3
	3/64	1/16	.05	.10	80	80	80	80	80	80	366*	Teflon	8	9	S316GF02T2AV1
	1/16	1/16	.08	.10	65	65	65	65	65	65	366*	Teflon	8	9	S316GF02T2AC5
	3/32	3/64	.20	.05	80	40	80	40	80	40	366*	Teflon	8	9	S316GF02T2AW3
	1/8	3/32	.27	.20	45	5	45	5	45	5	366*	Teflon	8	9	S316GF02T2AV3

\* Class H Coil Recommended for High Temperature Applications

GC Valves Customer Service: 800-828-0484 (7:30am to 4pm ET) or 800-582-4232 (7:30am to 4pm PT)

# S316 – 1/8" NPT, Stainless Steel Body, Universal



## Part Numbering

1	2	3	4	5	6	7	8	9	10	11	12	13
<b>S</b>	<b>3</b>	<b>1</b>	<b>6</b>	<b>G</b>	<b>F</b>	<b>0</b>	<b>2</b>	<b>C</b>	<b>2</b>	<b>A</b>	<b>C</b>	<b>3</b>
Series			Operating Mode	Housing*	Coil Class*	Voltage*		Seal Material	Body Material	Pipe Connection	Orifice Size (Main x Top)	
S31			6: Universal	G: Conduit	F: Class F	02: 120/60 110/50		C: EPR N: Nitrile V: Viton T: Teflon	2: Stainless Steel	A: 1/8" NPT	C3: 3/64" x 3/64" V1: 3/64" x 1/16" C5: 1/16" x 1/16" W3: 3/32" x 3/64" V3: 1/8" x 3/32"	
* See the "Engineering Guide" for additional voltages, variations and options.												

## Coil Data

Coil Family	
Type	Size
All	S3

Frequency (Hz)	60	50
Nominal Power (VA)	Inrush	36
	Holding	16

- 1/8" NPT
- Stainless Steel Body
- 3-Way Direct Acting
- Universal



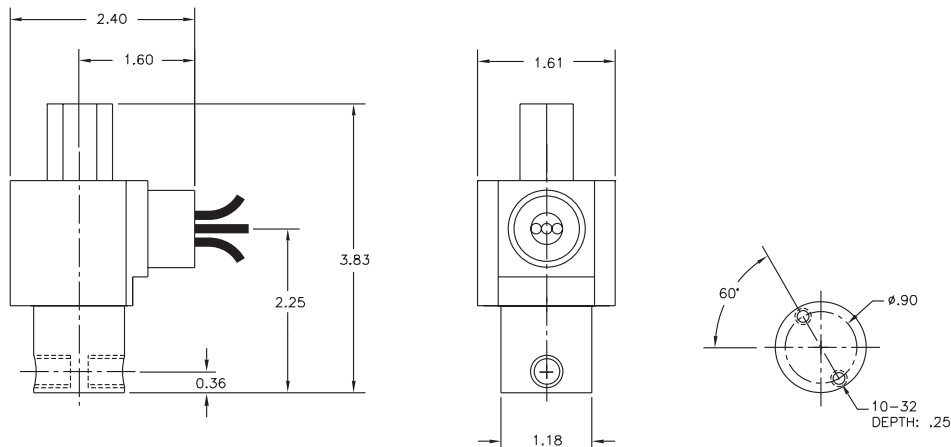
Materials	Seals:	Nitrile, Viton®, Ethylene Propylene or Teflon®
	Orifices:      Top Main	Stainless Steel Stainless Steel
Electrical	Standard Housing:	Encapsulated Waterproof Conduit (NEMA 4/4X)
	Optional Housings:	Metallic Conduit, Explosion-proof (NEMA 7), Grommet, Open Frame, Junction Box (single or dual knockouts), DIN; Contact GC Valves Customer Service for others.
	Standard Voltages:	24, 120, 240 AC 60 Hz; 50 Hz available 6, 12, 24 DC; Contact GC Valves Customer Service for Additional Voltages.
	Voltage Tolerance:	±10% of applicable voltage
	Coil Classes:	F, H, N
	Standard Lead Length:	24 inch
Operating Temperature	Ambient (Nominal):	32° to 125°F
Mounting	Position	Any
Approvals*	Agency	UL Listed, UL Recognized, CSA Approved

\* Not available for all variations

© Registered Trademark of DuPont Co.

## Dimensions/Weight

<b>Weight (lbs.)</b>
1.0



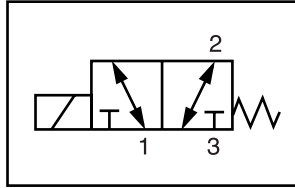
GC Valves Customer Service: 800-828-0484 (7:30am to 4pm ET) or 800-582-4232 (7:30am to 4pm PT)



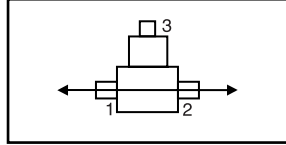
# S306 – 1/8" NPT, Stainless Steel Body, Universal

## Valve Selection List

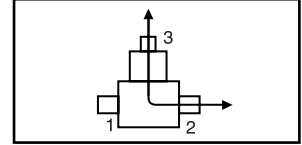
Universal



Energized



De-Energized



Pipe Size NPT	Orifice Size IN		C <sub>v</sub>		Operating Pressure Differential (psi)						Max Fluid Temp. °F	Seal Material	Power Consumption (Watts)		Model Code ( 120V/60HZ — 110V/50HZ Shown )
	Main	Top	Main	Top	Air/Gas		Water		Light Oil				AC	DC	
					AC	DC	AC	DC	AC	DC					
	Stainless Steel Body														
1/8	3/64	1/16	.05	.08	150	120	150	120	—	—	295	EPR	10	10	S306GF02C2AV1
	1/16	1/16	.08	.08	120	100	120	100	—	—	295	EPR	10	10	S306GF02C2AC5
	3/32	3/32	.18	.23	75	25	75	25	—	—	295	EPR	10	10	S306GF02C2AC9
	1/8	3/32	.30	.23	75	20	75	20	—	—	295	EPR	10	10	S306GF02C2AV3
	5/32	3/32	.41	.23	60	20	60	20	—	—	295	EPR	10	10	S306GF02C2AV7
	3/16	3/32	.53	.23	30	20	30	20	—	—	295	EPR	10	10	S306GF02C2AV9
1/8	3/64	1/16	.05	.08	150	120	150	120	150	120	180	Nitrile	10	10	S306GF02N2AV1
	1/16	1/16	.08	.08	120	100	120	100	120	100	180	Nitrile	10	10	S306GF02N2AC5
	3/32	3/32	.18	.23	75	25	75	25	75	25	180	Nitrile	10	10	S306GF02N2AC9
	1/8	3/32	.30	.23	75	20	75	20	75	20	180	Nitrile	10	10	S306GF02N2AV3
	5/32	3/32	.41	.23	60	20	60	20	60	20	180	Nitrile	10	10	S306GF02N2AV7
	3/16	3/32	.53	.23	30	20	30	20	30	20	180	Nitrile	10	10	S306GF02N2AV9
1/8	3/64	1/16	.05	.08	150	120	150	120	150	120	230	Viton	10	10	S306GF02V2AV1
	1/16	1/16	.08	.08	120	100	120	100	120	100	230	Viton	10	10	S306GF02V2AC5
	3/32	3/32	.18	.23	75	25	75	25	75	25	230	Viton	10	10	S306GF02V2AC9
	1/8	3/32	.30	.23	75	20	75	20	75	20	230	Viton	10	10	S306GF02V2AV3
	5/32	3/32	.41	.23	60	20	60	20	60	20	230	Viton	10	10	S306GF02V2AV7
	3/16	3/32	.53	.23	30	20	30	20	30	20	230	Viton	10	10	S306GF02V2AV9
1/8	3/64	1/16	.05	.08	150	120	150	120	150	120	366*	Teflon	10	10	S306GF02T2AV1
	1/16	1/16	.08	.08	120	100	120	100	120	100	366*	Teflon	10	10	S306GF02T2AC5
	3/32	3/32	.18	.23	75	25	75	25	75	25	366*	Teflon	10	10	S306GF02T2AC9

\* Class H Coil Recommended for High Temperature Applications

GC Valves Customer Service: 800-828-0484 (7:30am to 4pm ET) or 800-582-4232 (7:30am to 4pm PT)

# S306 – 1/8" NPT, Stainless Steel Body, Universal



## Part Numbering

1	2	3	4	5	6	7	8	9	10	11	12	13
<b>S</b>	<b>3</b>	<b>0</b>	<b>6</b>	<b>G</b>	<b>F</b>	<b>0</b>	<b>2</b>	<b>C</b>	<b>2</b>	<b>A</b>	<b>V</b>	<b>1</b>
Series			Operating Mode	Housing*	Coil Class*	Voltage*		Seal Material	Body Material	Pipe Connection	Orifice Size (Main x Top)	
S30			6: Universal	G: Conduit	F: Class F	02: 120/60 110/50		C: EPR N: Nitrile V: Viton T: Teflon	2: Stainless Steel	A: 1/8" NPT	V1: 3/64" x 1/16" C5: 1/16" x 1/16" C9: 3/32" x 3/32" V3: 1/8" x 3/32" V7: 5/32" x 3/32" V9: 3/16" x 3/32"	
* See the "Engineering Guide" for additional voltages, variations and options.												

## Coil Data

Coil Family	
Type	Size
All	S4

Frequency (Hz)	60	50
Nominal Power (VA)	Inrush	46
	Holding	20

- 1/8" NPT
- Stainless Steel Body
- 3-Way Direct Acting
- Universal



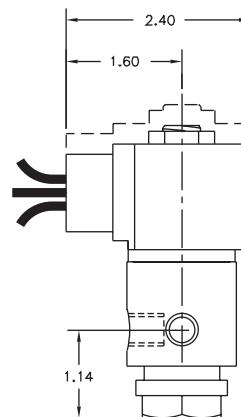
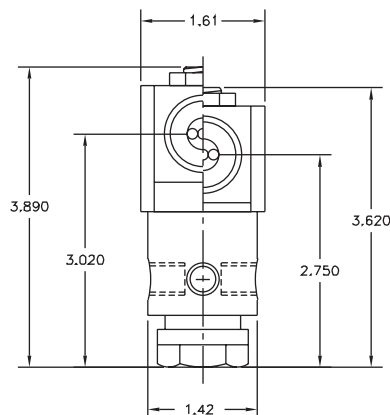
Materials	Seals:	Nitrile, Viton®, Ethylene Propylene
	Orifices:	Stainless Steel
Electrical	Standard Housing:	Encapsulated Waterproof Conduit (NEMA 4/4X)
	Optional Housings:	Metallic Conduit, Explosion-proof (NEMA 7), Grommet, Open Frame, Junction Box (single or dual knockouts), DIN; Contact GC Valves Customer Service for others.
	Standard Voltages:	24, 120, 240 AC 60 Hz; 50 Hz available 6, 12, 24 DC; Contact GC Valves Customer Service for Additional Voltages.
	Voltage Tolerance:	±10% of applicable voltage
	Coil Classes:	F, H, N
	Standard Lead Length:	24 inch
Operating Temperature	Ambient (Nominal):	32°F to 125°F
Mounting	Position	Any
Approvals*	Agency	UL Listed, UL Recognized, CSA Approved

\* Not available for all variations

© Registered Trademark of DuPont Co.

## Dimensions/Weight

<b>Weight (lbs.)</b>
1.1



GC Valves Customer Service: 800-828-0484 (7:30am to 4pm ET) or 800-582-4232 (7:30am to 4pm PT)

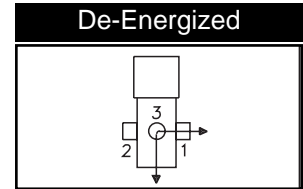
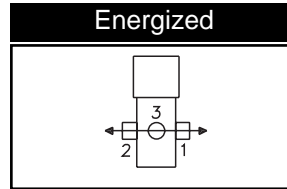
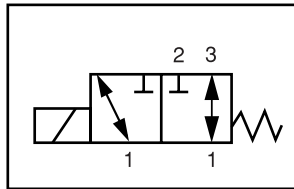




# S336 – 1/8" NPT, Stainless Steel Body, Universal

## Valve Selection List

Universal



Pipe Size NPT	Orifice Size IN	C <sub>v</sub>	Minimum	Operating Pressure Differential (psi)						Max Fluid Temp. °F	Seal Material	Power Consumption (Watts)		Model Code ( 120V/60HZ — 110V/50HZ ) Shown	
				Maximum								AC	DC		
				Air/Gas		Water		Light Oil							
				AC	DC	AC	DC	AC	DC			AC	DC	Stainless Steel Body	
Reduced Power	1/8	1/16	.09	0	90	50	90	50	–	–	295	EPR	8	9	S336GF02C7AC5
	3/32	.15	0	55	40	55	40	–	–	295	EPR	8	9	S336GF02C7AC9	
	1/8	.26	0	25	20	25	20	–	–	295	EPR	8	9	S336GF02C7AD5	
1/8	1/16	.09	0	100	80	100	80	–	–	295	EPR	10	10	S336GF02C8AC5	
	3/32	.15	0	60	50	60	50	–	–	295	EPR	10	10	S336GF02C8AC9	
	1/8	.31	0	34	30	34	30	–	–	295	EPR	10	10	S336GF02C8AD5	
	11/64	.38	0	22	11	22	11	–	–	295	EPR	10	10	S336GF02C8AD8	
Reduced Power	1/8	1/16	.09	0	90	50	90	50	90	50	180	Nitrile	8	9	S336GF02N7AC5
	3/32	.15	0	55	40	55	40	55	40	180	Nitrile	8	9	S336GF02N7AC9	
	1/8	.26	0	25	20	25	20	25	20	180	Nitrile	8	9	S336GF02N7AD5	
1/8	1/16	.09	0	100	80	100	80	100	80	180	Nitrile	10	10	S336GF02N8AC5	
	3/32	.15	0	60	50	60	50	60	50	180	Nitrile	10	10	S336GF02N8AC9	
	1/8	.31	0	34	30	34	30	34	30	180	Nitrile	10	10	S336GF02N8AD5	
	11/64	.38	0	22	11	22	11	22	11	180	Nitrile	10	10	S336GF02N8AD8	
Reduced Power	1/8	1/16	.09	0	90	50	90	50	90	50	230	Viton	8	9	S336GF02V7AC5
	3/32	.15	0	55	40	55	40	55	40	230	Viton	8	9	S336GF02V7AC9	
	1/8	.26	0	25	20	25	20	25	20	230	Viton	8	9	S336GF02V7AD5	
1/8	1/16	.09	0	100	80	100	80	100	80	230	Viton	10	10	S336GF02V8AC5	
	3/32	.15	0	60	50	60	50	60	50	230	Viton	10	10	S336GF02V8AC9	
	1/8	.31	0	34	30	34	30	34	30	230	Viton	10	10	S336GF02V8AD5	
	11/64	.38	0	22	11	22	11	22	11	230	Viton	10	10	S336GF02V8AD8	

\* Class H Coil Recommended for High Temperature Applications

GC Valves Customer Service: 800-828-0484 (7:30am to 4pm ET) or 800-582-4232 (7:30am to 4pm PT)

# S336 – 1/8" NPT, Stainless Steel Body, Universal



## Part Numbering

1	2	3	4	5	6	7	8	9	10	11	12	13
<b>S</b>	<b>3</b>	<b>3</b>	<b>6</b>	<b>G</b>	<b>F</b>	<b>0</b>	<b>2</b>	<b>C</b>	<b>7</b>	<b>A</b>	<b>C</b>	<b>5</b>
Series			Operating Mode	Housing*	Coil Class*	Voltage*		Seal Material	Body Material	Pipe Connection	Orifice Size	
S33			6: Universal	G: Conduit	F: Class F	02: 120/60 110/50		C: EPR N: Nitrile V: Viton	7: Stainless Steel 8: Stainless Steel	A: 1/8" NPT	C5: 1/16" C9: 3/32" D5: 1/8" D8: 11/64"	
* See the "Engineering Guide" for additional voltages, variations and options.												

## Coil Data

Coil Family	
Type	Size
(Body Code)	
7	S3
8	S4

		60		50	
		7	8	7	8
Frequency (Hz)	Body				
Nominal Power (VA)	Inrush	36	46	36	46
	Holding	13	18	14	19