

- 2" NPT
- Brass Body
- 2-Way Piloted Diaphragm
- Normally Open



Materials	Seals:	Nitrile, Viton®, Ethylene Propylene
	Orifice:	Pilot: Stainless Steel Main: Brass Ø 1 1/4"
Electrical	Standard Housing:	Encapsulated Waterproof Conduit (NEMA 4/4X)
	Optional Housings:	Metallic Conduit, Explosion-proof (NEMA 7), Grommet, Open Frame, Junction Box (single or dual knockouts), DIN; Contact GC Valves Customer Service for others.
	Standard Voltages:	24, 120, 240 AC 60 Hz; 50 Hz available 6, 12, 24 DC; Contact GC Valves Customer Service for Additional Voltages.
	Voltage Tolerance:	±10% of applicable voltage
	Coil Classes:	F, H, N
	Standard Lead Length:	24 inch
Operating Temperature	Ambient (Nominal):	32°F to 125°F
Mounting	Position:	Vertical and Upright
Approvals*	Agency:	UL Listed, UL Recognized, CSA Approved

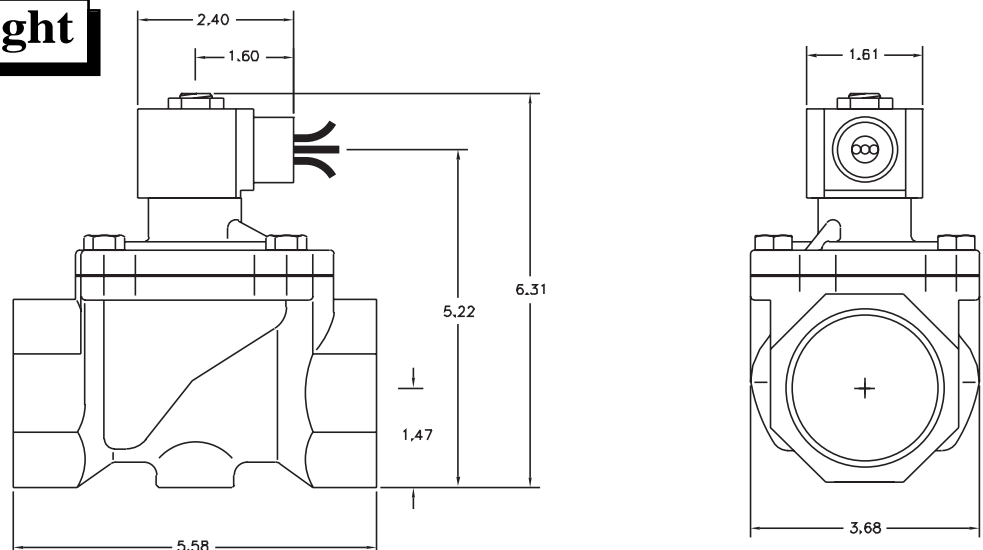
\* Not available for all variations

© Registered Trademark of DuPont Co.

## Dimensions/Weight

**Weight (lbs.)**

13.5



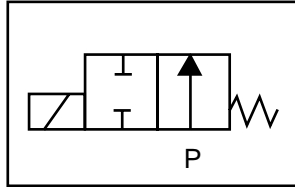
GC Valves Customer Service: 800-828-0484 (7:30am to 4pm ET) or 800-582-4232 (7:30am to 4pm PT)



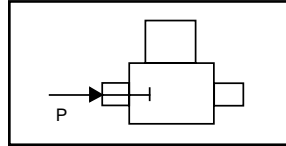
# S212 – 2" NPT, Brass Body, Normally Open

## Valve Selection List

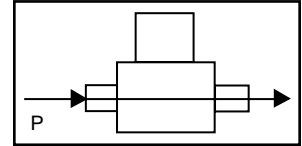
Normally Open



Energized



De-Energized



Pipe Size NPT	Orifice Size IN	C <sub>v</sub>	Operating Pressure Differential (psi)								Max Fluid Temp. °F	Seal Material	Power Consumption (Watts)		Model Code ( 120V/60HZ — 110V/50HZ Shown )	
			Maximum										AC	DC		
			Air/Gas		Water		Light Oil		Steam*						Brass Body	
			AC	DC	AC	DC	AC	DC	AC	DC						
2	1 1/4	28	5	200	140	140	140	—	—	—	—	295	EPR	9	9	S212GF02C5JJ2
	1 1/4	28	5	200	140	140	140	85	85	—	—	180	Nitrile	9	9	S212GF02N5JJ2
	1 1/4	28	5	200	140	140	140	85	85	—	—	230	Viton	9	9	S212GF02V5JJ2
	1 1/4	28	5	—	—	—	—	—	—	—	50* 50*	295	EPR	9	9	S212GH02C5JJ2

\* Class H Coil Recommended for Steam and Other High Temperature Applications

## Part Numbering

1	2	3	4	5	6	7	8	9	10	11	12	13
<b>S</b>	<b>2</b>	<b>1</b>	<b>2</b>	<b>G</b>	<b>F</b>	<b>0</b>	<b>2</b>	<b>C</b>	<b>5</b>	<b>J</b>	<b>J</b>	<b>2</b>
Series			Operating Mode	Housing*	Coil Class*	Voltage*		Seal Material	Body Material	Pipe Connection	Orifice Size	
S21			2: Normally Open	G: Conduit	F: Class F H: Class H	02: 120/60 110/50		C: EPR N: Nitrile V: Viton	5: Brass	J: 2" NPT	J2: 1 1/4"	
* See the "Engineering Guide" for additional voltages, variations and options.												

## Coil Data

Coil Family	
Type	Size
ALL	S3

Frequency (Hz)	60	50
Nominal Power (VA)	Inrush	36
	Holding	18

GC Valves Customer Service: 800-828-0484 (7:30am to 4pm ET) or 800-582-4232 (7:30am to 4pm PT)

- 2" NPT
- Brass Body
- 2-Way Zero Differential  
Piloted Diaphragm
- Normally Open



Materials	Seals:	Nitrile, Viton®, Ethylene Propylene
	Orifice:	Pilot: Stainless Steel Main: Brass Ø 1 1/4"
Electrical	Standard Housing:	Conduit (NEMA 1)
	Optional Housings:	Watertight (NEMA 4), Junction Box. Contact GC Valves Customer Service for others.
	Standard Voltages:	24, 120, 240 AC 60 Hz; 50 Hz available 12, 24 DC; Contact GC Valves Customer Service for Additional Voltages.
	Voltage Tolerance:	±10% of applicable voltage
	Coil Classes:	F, H
	Standard Lead Length:	18 inch
Operating Temperature	Ambient (Nominal):	32°F to 125°F
Mounting	Position:	Vertical and Upright
Approvals*	Agency:	UL Listed, UL Recognized, CSA Approved

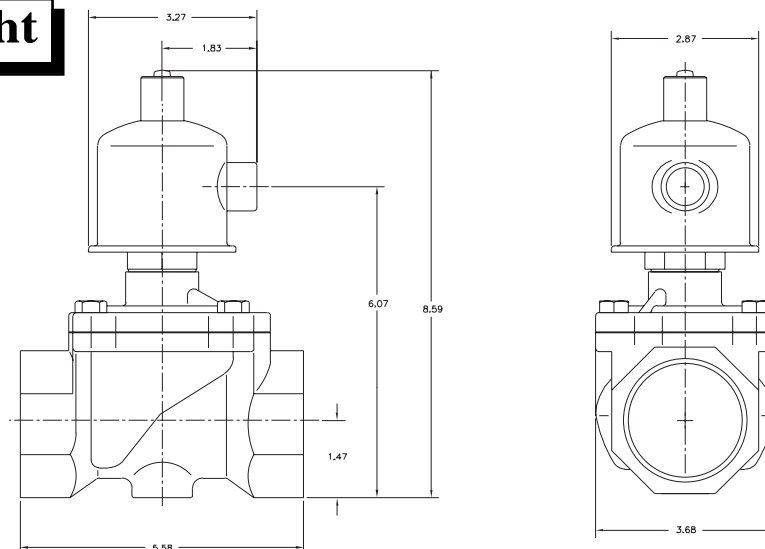
\* Not available for all variations

© Registered Trademark of DuPont Co.

## Dimensions/Weight

Weight (lbs.)

9.1



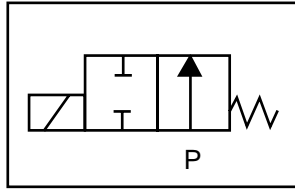
GC Valves Customer Service: 800-828-0484 (7:30am to 4pm ET) or 800-582-4232 (7:30am to 4pm PT)



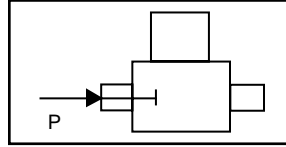
# S272 – 2" NPT, Brass Body, Normally Open

## Valve Selection List

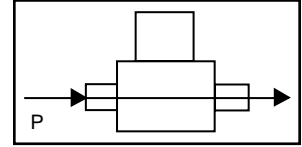
Normally Open



Energized



De-Energized



Pipe Size NPT	Orifice Size IN	C <sub>v</sub>	Operating Pressure Differential (psi)								Max Fluid Temp. °F	Seal Material	Power Consumption (Watts)		Model Code ( 120V/60HZ — 110V/50HZ Shown )	
			Maximum										AC	DC		
			Air/Gas		Water		Light Oil		Steam*							
			Minimum	AC	DC	AC	DC	AC	DC	AC	DC		AC	DC	Brass Body	
2	1 1/4	27	0	125	—	125	—	—	—	—	—	295	EPR	18.5	—	S272AF02C5JJ2
	1 1/4	27	0	125	—	125	—	70	—	—	—	180	Nitrile	18.5	—	S272AF02N5JJ2
	1 1/4	27	0	125	—	125	—	70	—	—	—	230	Viton	18.5	—	S272AF02V5JJ2
	1 1/4	27	0	—	—	—	—	—	—	50*	—	295	EPR	18.5	—	S272AH02C5JJ2

\* Class H Coil Recommended for Steam and Other High Temperature Applications

## Part Numbering

1	2	3	4	5	6	7	8	9	10	11	12	13
<b>S</b>	<b>2</b>	<b>7</b>	<b>2</b>	<b>A</b>	<b>F</b>	<b>0</b>	<b>2</b>	<b>C</b>	<b>5</b>	<b>J</b>	<b>J</b>	<b>2</b>
Series			Operating Mode	Housing*	Coil Class*	Voltage*		Seal Material	Body Material	Pipe Connection	Orifice Size	
S27			2: Normally Open	A: Conduit	F: Class F H: Class H	02: 120/60 110/50		C: EPR N: Nitrile V: Viton	5: Brass	J: 2" NPT	J2: 1 1/4"	
* See the "Engineering Guide" for additional voltages, variations and options.												

## Coil Data

Coil Family	
Type	Size
All	S5

Frequency (Hz)	60	50
Nominal Power (VA)	Inrush	130
	Holding	22

GC Valves Customer Service: 800-828-0484 (7:30am to 4pm ET) or 800-582-4232 (7:30am to 4pm PT)

- **High Performance**
- **2" NPT**
- **Brass Body**
- **2-Way Piloted Diaphragm**
- **Normally Open**



Materials	Seals:	Nitrile, Teflon®
	Orifice: Pilot Main	Stainless Steel Brass Ø 1 1/2" - #4 Body; Stainless Steel Ø 1 1/2" - #2 Body
Electrical	Standard Housing:	Encapsulated Waterproof Conduit (NEMA 4/4X)
	Optional Housings:	Metallic Conduit, Explosion-proof (NEMA 7), Grommet, Open Frame, Junction Box (single or dual knockouts), DIN; Contact GC Valves Customer Service for others.
	Standard Voltages:	24, 120, 240 AC 60 Hz; 50 Hz available Contact GC Valves Customer Service for Additional Voltages.
	Voltage Tolerance:	±10% of applicable voltage
	Coil Classes:	F, H, N
	Standard Lead Length:	24 inch
Operating Temperature	Ambient (Nominal):	32°F to 125°F
Mounting	Position:	±15° From Vertical
Approvals*	Agency:	UL Listed, UL Recognized, CSA Approved

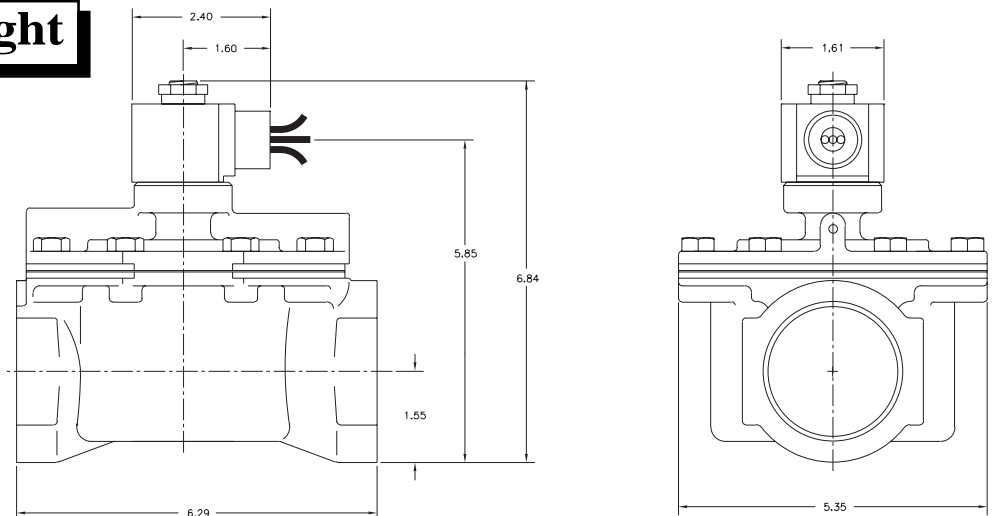
\* Not available for all variations

© Registered Trademark of DuPont Co.

## Dimensions/Weight

**Weight (lbs.)**

10.5



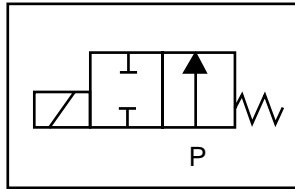
GC Valves Customer Service: 800-828-0484 (7:30am to 4pm ET) or 800-582-4232 (7:30am to 4pm PT)



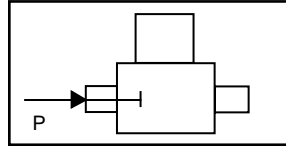
# S211 – High Performance, 2" NPT, Brass Body, Normally Open

## Valve Selection List

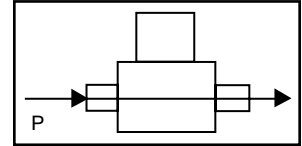
Normally Open



Energized



De-Energized



Pipe Size NPT	Orifice Size IN	C <sub>v</sub>	Operating Pressure Differential (psi)								Max Fluid Temp. °F	Seal Material	Power Consumption (Watts)		Model Code ( 120V/60HZ — 110V/50HZ Shown )	
			Maximum										AC	DC		
			Air/Gas		Water		Light Oil		Steam*						Brass Body	
			AC	DC	AC	DC	AC	DC	AC	DC			AC	DC	AC	DC
2	1 1/2	28	10	200	140	200	140	200	140	—	—	180	Nitrile	8	9	S212GF02N4JJ5
	1 1/2	28	10	—	—	—	—	—	—	100*	100*	366	Teflon	8	9	S212GH02T2JJ5

\* Class H Coil Recommended for Steam and Other High Temperature Applications

## Part Numbering

1	2	3	4	5	6	7	8	9	10	11	12	13
<b>S</b>	<b>2</b>	<b>1</b>	<b>2</b>	<b>G</b>	<b>F</b>	<b>0</b>	<b>2</b>	<b>N</b>	<b>4</b>	<b>J</b>	<b>J</b>	<b>5</b>
Series			Operating Mode	Housing*	Coil Class*	Voltage*		Seal Material	Body Material	Pipe Connection	Orifice Size	
S21			2: Normally Open	G: Conduit	F: Class F H: Class H	02: 120/60 110/50		N: Nitrile T: Teflon/ EPR	4: Forged Brass 2: Brass	J: 2" NPT	J5: 1 1/2"	
* See the "Engineering Guide" for additional voltages, variations and options.												

## Coil Data

Coil Family	
Type	Size
All	S3

Frequency (Hz)	60	50
Nominal Power (VA)	Inrush	36
	Holding	18

GC Valves Customer Service: 800-828-0484 (7:30am to 4pm ET) or 800-582-4232 (7:30am to 4pm PT)

- 2" NPT
- Stainless Steel Body  
Type 316
- 2-Way Piloted Diaphragm
- Normally Open



Materials	Seals:	Nitrile, Viton®, Ethylene Propylene
	Orifice: Pilot Main	Stainless Steel Stainless Steel Ø 1 1/4"
Electrical	Standard Housing:	Encapsulated Waterproof Conduit (NEMA 4/4X)
	Optional Housings:	Metallic Conduit, Explosion-proof (NEMA 7), Grommet, Open Frame, Junction Box (single or dual knockouts), DIN; Contact GC Valves Customer Service for others.
	Standard Voltages:	24, 120, 240 AC 60 Hz; 50 Hz available 6, 12, 24 DC; Contact GC Valves Customer Service for Additional Voltages.
	Voltage Tolerance:	±10% of applicable voltage
	Coil Classes:	F, H, N
	Standard Lead Length:	24 inch
Operating Temperature	Ambient (Nominal):	32°F to 125°F
Mounting	Position:	Vertical and Upright
Approvals*	Agency:	UL Listed, UL Recognized, CSA Approved

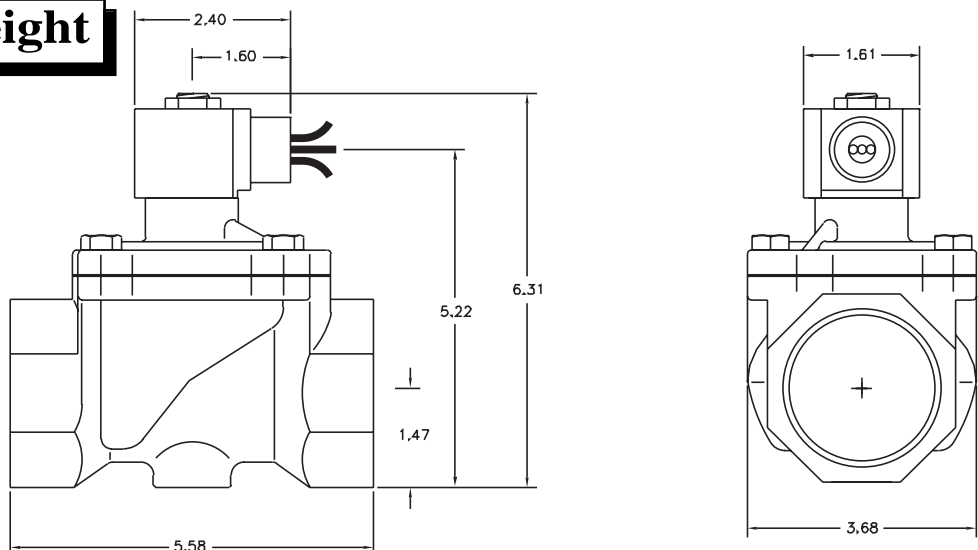
\* Not available for all variations

© Registered Trademark of DuPont Co.

## Dimensions/Weight

**Weight (lbs.)**

13.5



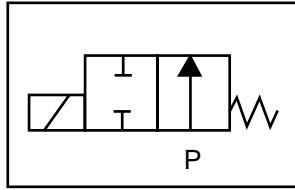
GC Valves Customer Service: 800-828-0484 (7:30am to 4pm ET) or 800-582-4232 (7:30am to 4pm PT)



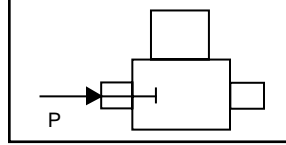
# S212 – 2" NPT, Stainless Steel Body, Type 316, Normally Open

## Valve Selection List

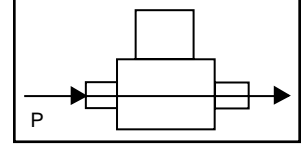
Normally Open



Energized



De-Energized



Pipe Size NPT	Orifice Size IN	C <sub>v</sub>	Operating Pressure Differential (psi)								Max Fluid Temp. °F	Seal Material	Power Consumption (Watts)		Model Code ( 120V/60HZ — 110V/50HZ Shown )	
			Maximum										AC	DC		
			Air/Gas		Water		Light Oil		Steam*							
			Minimum	AC	DC	AC	DC	AC	DC	AC	DC				Stainless Steel Body Type 316	
2	1 1/4	28	5	200	150	150	150	—	—	—	—	295	EPR	9	9	S212GF02E7JJ2
	1 1/4	28	5	200	150	150	150	85	85	—	—	180	Nitrile	9	9	S212GF02J7JJ2
	1 1/4	28	5	200	150	150	150	85	85	—	—	230	Viton	9	9	S212GF02L7JJ2
	1 1/4	28	5	—	—	—	—	—	—	50*	50*	295	EPR	9	9	S212GH02E7JJ2

\* Class H Coil Recommended for Steam and Other High Temperature Applications

## Part Numbering

1	2	3	4	5	6	7	8	9	10	11	12	13
<b>S</b>	<b>2</b>	<b>1</b>	<b>2</b>	<b>G</b>	<b>F</b>	<b>0</b>	<b>2</b>	<b>E</b>	<b>7</b>	<b>J</b>	<b>J</b>	<b>2</b>
Series			Operating Mode	Housing*	Coil Class*	Voltage*		Seal Material	Body Material	Pipe Connection	Orifice Size	
S21			2: Normally Open	G: Conduit	F: Class F H: Class H	02: 120/60 110/50		E: EPR J: Nitrile L: Viton	7: 316 SS	J: 2" NPT	J2: 1 1/4"	
* See the "Engineering Guide" for additional voltages, variations and options.												

## Coil Data

Coil Family	
Type	Size
ALL	S3

Frequency (Hz)	60	50	
Nominal Power (VA)	Inrush	36	36
	Holding	18	19

GC Valves Customer Service: 800-828-0484 (7:30am to 4pm ET) or 800-582-4232 (7:30am to 4pm PT)



- 2" NPT
- Stainless Steel Body  
Type 316
- 2-Way Zero Differential  
Piloted Diaphragm
- Normally Open



Materials	Seals:	Nitrile, Viton®, Ethylene Propylene
	Orifice:	Pilot Main
Electrical	Standard Housing:	Conduit (NEMA 1)
	Optional Housings:	Watertight (NEMA 4), Junction Box. Contact GC Valves Customer Service for others.
	Standard Voltages:	24, 120, 240 AC 60 Hz; 50 Hz available 12, 24 DC; Contact GC Valves Customer Service for Additional Voltages.
	Voltage Tolerance:	±10% of applicable voltage
	Coil Classes:	F, H
	Standard Lead Length:	18 inch
Operating Temperature	Ambient (Nominal):	32°F to 125°F
Mounting	Position:	Vertical and Upright
Approvals*	Agency:	UL Listed, UL Recognized, CSA Approved

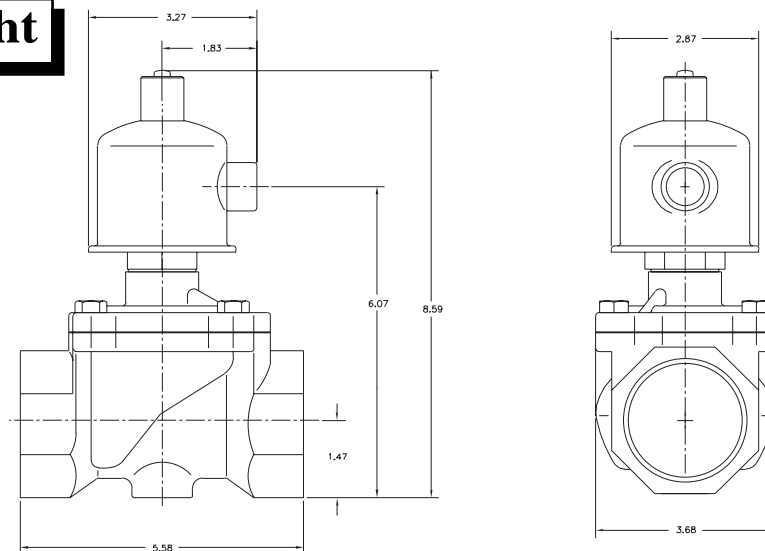
\* Not available for all variations

© Registered Trademark of DuPont Co.

## Dimensions/Weight

Weight (lbs.)

9.1



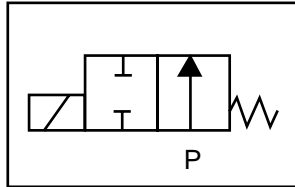
GC Valves Customer Service: 800-828-0484 (7:30am to 4pm ET) or 800-582-4232 (7:30am to 4pm PT)



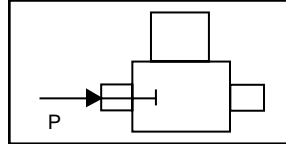
# S272 – 2" NPT, Stainless Steel Body, Type 316 Normally Open

## Valve Selection List

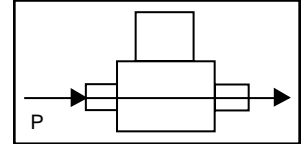
Normally Open



Energized



De-Energized



Pipe Size NPT	Orifice Size IN	C <sub>v</sub>	Operating Pressure Differential (psi)								Max Fluid Temp. °F	Seal Material	Power Consumption (Watts)		Model Code ( 120V/60HZ — 110V/50HZ Shown )	
			Maximum										AC	DC		
			Air/Gas		Water		Light Oil		Steam*							
			Minimum	AC	DC	AC	DC	AC	DC	AC	DC				Stainless Steel Body Type 316	
2	1 1/4	27	0	125	—	125	—	—	—	—	—	295	EPR	18.5	—	S272AF02E7JJ2
	1 1/4	27	0	125	—	125	—	70	—	—	—	180	Nitrile	18.5	—	S272AF02J7JJ2
	1 1/4	27	0	125	—	125	—	70	—	—	—	230	Viton	18.5	—	S272AF02L7JJ2
	1 1/4	27	0	—	—	—	—	—	—	50*	—	295	EPR	18.5	—	S272AH02E7JJ2

\* Class H Coil Recommended for Steam and Other High Temperature Applications

## Part Numbering

1	2	3	4	5	6	7	8	9	10	11	12	13
<b>S</b>	<b>2</b>	<b>7</b>	<b>2</b>	<b>A</b>	<b>F</b>	<b>0</b>	<b>2</b>	<b>E</b>	<b>7</b>	<b>J</b>	<b>J</b>	<b>2</b>
Series			Operating Mode	Housing*	Coil Class*	Voltage*		Seal Material	Body Material	Pipe Connection	Orifice Size	
S27			2: Normally Open	A: Conduit	F: Class F H: Class H	02: 120/60 110/50		E: EPR J: Nitrile L: Viton	7: 316 SS	J: 2" NPT	J2: 1 1/4"	
* See the "Engineering Guide" for additional voltages, variations and options.												

## Coil Data

Coil Family	
Type	Size
All	S5

Frequency (Hz)	60	50
Nominal Power (VA)	Inrush	130
	Holding	22

GC Valves Customer Service: 800-828-0484 (7:30am to 4pm ET) or 800-582-4232 (7:30am to 4pm PT)

- High Performance
- 2" NPT
- Stainless Steel Body  
Type 316
- 2-Way Piloted  
Diaphragm
- Normally Open



Materials	Seals:	Nitrile, Teflon®
	Orifice: Pilot Main	Stainless Steel Stainless Steel Ø 1 1/2"
Electrical	Standard Housing:	Encapsulated Waterproof Conduit (NEMA 4/4X)
	Optional Housings:	Metallic Conduit, Explosion-proof (NEMA 7), Grommet, Open Frame, Junction Box (single or dual knockouts), DIN; Contact GC Valves Customer Service for others.
	Standard Voltages:	24, 120, 240 AC 60 Hz; 50 Hz available Contact GC Valves Customer Service for Additional Voltages.
	Voltage Tolerance:	±10% of applicable voltage
	Coil Classes:	F, H, N
	Standard Lead Length:	24 inch
Operating Temperature	Ambient (Nominal):	32°F to 125°F
Mounting	Position:	±15° From Vertical
Approvals*	Agency:	UL Listed, UL Recognized, CSA Approved

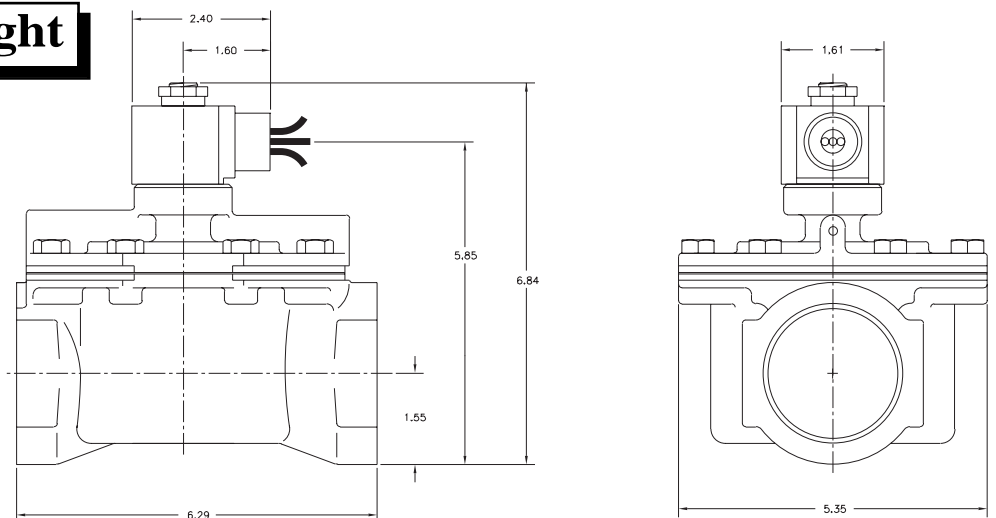
\* Not available for all variations

© Registered Trademark of DuPont Co.

## Dimensions/Weight

Weight (lbs.)

10.5



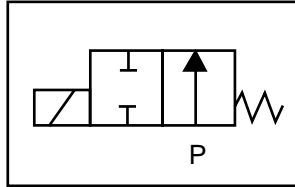
GC Valves Customer Service: 800-828-0484 (7:30am to 4pm ET) or 800-582-4232 (7:30am to 4pm PT)



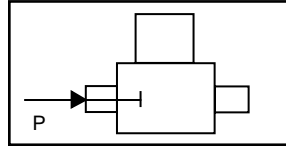
# S212 – High Performance, 2" NPT, Stainless Steel Body- Type 316, Normally Open

## Valve Selection List

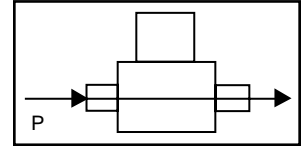
Normally Open



Energized



De-Energized



Pipe Size NPT	Orifice Size IN	C <sub>v</sub>	Operating Pressure Differential (psi)								Max Fluid Temp. °F	Seal Material	Power Consumption (Watts)		Model Code ( 120V/60HZ — 110V/50HZ Shown )	
			Maximum										AC	DC		
			Air/Gas		Water		Light Oil		Steam*							
			AC	DC	AC	DC	AC	DC	AC	DC						
2	1 1/2	28	10	200	140	200	140	200	140	—	—	180	Nitrile	8	9	S212GF02N1JJ5
	1 1/2	28	10	—	—	—	—	—	—	100*	100*	366	Teflon	8	9	S212GH02T1JJ5

\* Class H Coil Recommended for Steam and Other High Temperature Applications

## Part Numbering

1	2	3	4	5	6	7	8	9	10	11	12	13
<b>S</b>	<b>2</b>	<b>1</b>	<b>2</b>	<b>G</b>	<b>F</b>	<b>0</b>	<b>2</b>	<b>N</b>	<b>1</b>	<b>J</b>	<b>J</b>	<b>5</b>
Series			Operating Mode	Housing*	Coil Class*	Voltage*		Seal Material	Body Material	Pipe Connection	Orifice Size	
S21			2: Normally Open	G: Conduit	F: Class F H: Class H	02: 120/60 110/50		N: Nitrile T: Teflon/ EPR	1: Stainless Steel	J: 2" NPT	J5: 1 1/2"	
* See the "Engineering Guide" for additional voltages, variations and options.												

## Coil Data

Coil Family	
Type	Size
All	S3

Frequency (Hz)	60	50
Nominal Power (VA)	Inrush	36
	Holding	18

GC Valves Customer Service: 800-828-0484 (7:30am to 4pm ET) or 800-582-4232 (7:30am to 4pm PT)