

- 1" NPT
- Brass Body
- 2-Way Piloted
Diaphragm
- Normally Open



Materials	Seals:	Nitrile, Viton®, Ethylene Propylene
	Orifice:	Pilot Main
Electrical	Standard Housing:	Encapsulated Waterproof Conduit (NEMA 4/4X)
	Optional Housings:	Metallic Conduit, Explosion-proof (NEMA 7), Grommet, Open Frame, Junction Box (single or dual knockouts), DIN; Contact GC Valves Customer Service for others.
	Standard Voltages:	24, 120, 240 AC 60 Hz; 50 Hz available 6, 12, 24 DC; Contact GC Valves Customer Service for Additional Voltages.
	Voltage Tolerance:	±10% of applicable voltage
	Coil Classes:	F, H, N
	Standard Lead Length:	24 inch
Operating Temperature	Ambient (Nominal):	32°F to 125°F
Mounting	Position:	Vertical and Upright
Approvals*	Agency:	UL Listed, UL Recognized, CSA Approved

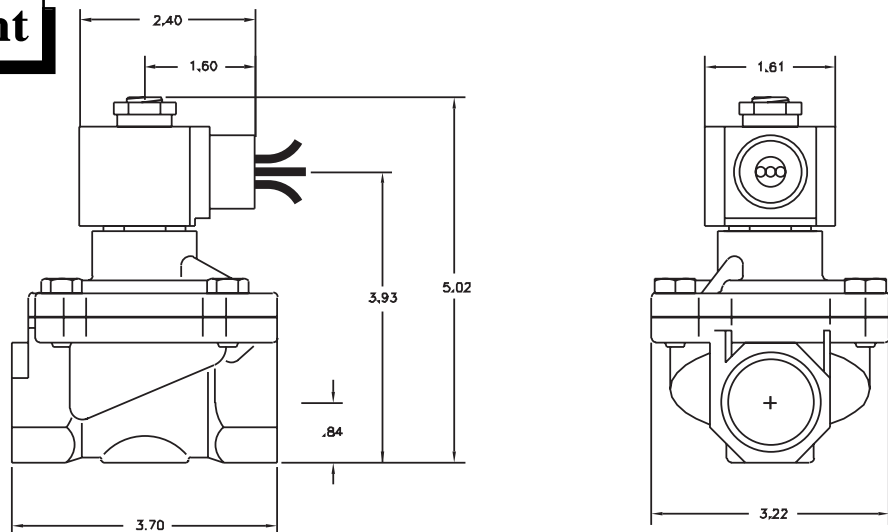
* Not available for all variations

© Registered Trademark of DuPont Co.

Dimensions/Weight

Weight (lbs.)

6.4



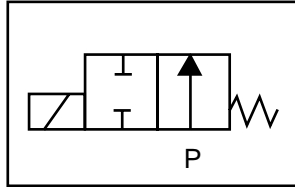
GC Valves Customer Service: 800-828-0484 (7:30am to 4pm ET) or 800-582-4232 (7:30am to 4pm PT)



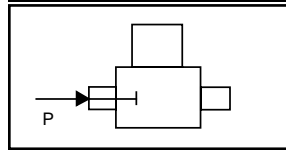
S212 – 1" NPT, Brass Body, Normally Open

Valve Selection List

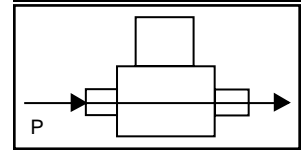
Normally Open



Energized



De-Energized



Pipe Size NPT	Orifice Size IN	C _v	Minimum	Operating Pressure Differential (psi)								Max Fluid Temp. °F	Seal Material	Power Consumption (Watts)		Model Code (120V/60HZ — 110V/50HZ Shown)
				Maximum										AC	DC	
				Air/Gas		Water		Light Oil		Steam*						
				AC	DC	AC	DC	AC	DC	AC	DC			AC	DC	
1	1	13	5	200	140	150	140	—	—	—	—	295	EPR	9	9	S212GF02C5FG9
	1	13	5	200	140	150	140	100	100	—	—	180	Nitrile	9	9	S212GF02N5FG9
	1	13	5	200	140	150	140	100	100	—	—	230	Viton	9	9	S212GF02V5FG9
	1	13	5	—	—	—	—	—	—	50*	50*	295	EPR	9	9	S212GH02C5FG9

* Class H Coil Recommended for Steam and Other High Temperature Applications

Part Numbering

1	2	3	4	5	6	7	8	9	10	11	12	13
S	2	1	2	G	F	0	2	C	5	F	G	9
Series			Operating Mode	Housing*	Coil Class*	Voltage*		Seal Material	Body Material	Pipe Connection	Orifice Size	
S21			2: Normally Open	G: Conduit	F: Class F H: Class H	02: 120/60 110/50		C: EPR N: Nitrile V: Viton	5: Brass	F: 1" NPT	G9: 1"	
* See the "Engineering Guide" for additional voltages, variations and options.												

Coil Data

Coil Family	
Type	Size
ALL	S3

Frequency (Hz)	60	50
Nominal Power (VA)	Inrush	36
	Holding	22

GC Valves Customer Service: 800-828-0484 (7:30am to 4pm ET) or 800-582-4232 (7:30am to 4pm PT)

- **1" NPT**
- **Brass Body**
- **2-Way Zero Differential
Piloted Diaphragm**
- **Normally Open**



Materials	Seals:	Nitrile, Viton®, Ethylene Propylene
	Orifice:	Pilot: Stainless Steel Main: Brass Ø 1"
Electrical	Standard Housing:	Conduit (NEMA 1)
	Optional Housings:	Watertight (NEMA 4), Junction Box. Contact GC Valves Customer Service for others.
	Standard Voltages:	24, 120, 240 AC 60 Hz; 50 Hz available 12, 24 DC; Contact GC Valves Customer Service for Additional Voltages.
	Voltage Tolerance:	±10% of applicable voltage
	Coil Classes:	F, H
	Standard Lead Length:	18 inch
Operating Temperature	Ambient (Nominal):	32°F to 125°F
Mounting	Position:	Vertical and Upright
Approvals*	Agency:	UL Listed, UL Recognized, CSA Approved

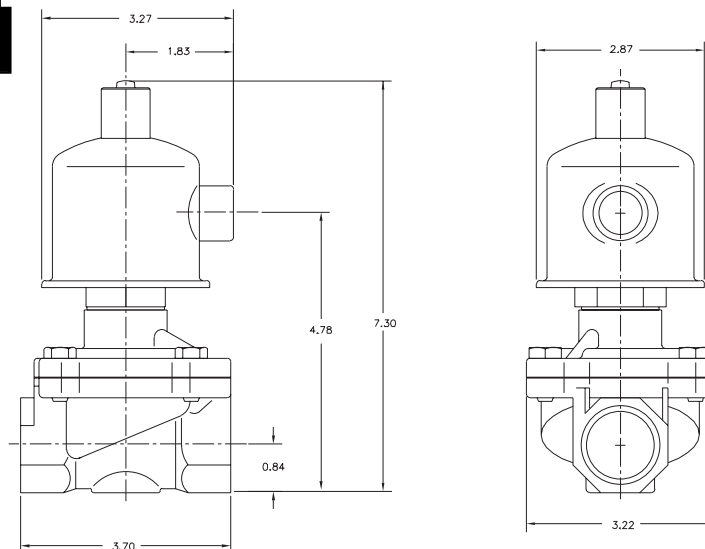
* Not available for all variations

© Registered Trademark of DuPont Co.

Dimensions/Weight

Weight (lbs.)

5.1



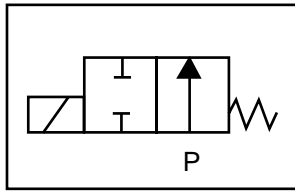
GC Valves Customer Service: 800-828-0484 (7:30am to 4pm ET) or 800-582-4232 (7:30am to 4pm PT)



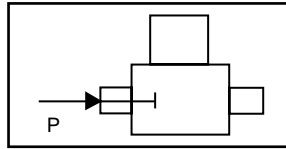
S272 – 1" NPT, Brass Body, Normally Open

Valve Selection List

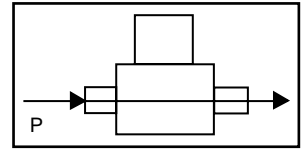
Normally Open



Energized



De-Energized



Pipe Size NPT	Orifice Size IN	C _v	Minimum	Operating Pressure Differential (psi)								Max Fluid Temp. °F	Seal Material	Power Consumption (Watts)		Model Code (120V/60HZ — 110V/50HZ Shown)
				Maximum										AC	DC	
				Air/Gas		Water		Light Oil		Steam*						Brass Body
1	1	13	0	125	—	125	—	—	—	—	—	295	EPR	18.5	—	S272AF02C5FG9
	1	13	0	125	—	125	—	70	—	—	—	180	Nitrile	18.5	—	S272AF02N5FG9
	1	13	0	125	—	125	—	70	—	—	—	230	Viton	18.5	—	S272AF02V5FG9
	1	13	0	—	—	—	—	—	—	50*	—	295	EPR	18.5	—	S272AH02C5FG9

* Class H Coil Recommended for Steam and Other High Temperature Applications

Part Numbering

1	2	3	4	5	6	7	8	9	10	11	12	13
S	2	7	2	A	F	0	2	C	5	F	G	9
Series			Operating Mode	Housing*	Coil Class*	Voltage*		Seal Material	Body Material	Pipe Connection	Orifice Size	
S27			2: Normally Open	A: Conduit	F: Class F H: Class H	02: 120/60 110/50		C: EPR N: Nitrile V: Viton	5: Brass	F: 1" NPT	G9: 1"	
* See the "Engineering Guide" for additional voltages, variations and options.												

Coil Data

Coil Family	
Type	Size
All	S5

Frequency (Hz)	60	50
Nominal Power (VA)	Inrush	130
	Holding	22
		28

GC Valves Customer Service: 800-828-0484 (7:30am to 4pm ET) or 800-582-4232 (7:30am to 4pm PT)

- 1" NPT
- Stainless Steel Body
Type 316
- 2-Way Piloted Diaphragm
- Normally Open



Materials	Seals:	Nitrile, Viton®, Ethylene Propylene
	Orifice: Pilot Main	Stainless Steel Stainless Steel Ø 1"
Electrical	Standard Housing:	Encapsulated Waterproof Conduit (NEMA 4/4X)
	Optional Housings:	Metallic Conduit, Explosion-proof (NEMA 7), Grommet, Open Frame, Junction Box (single or dual knockouts), DIN; Contact GC Valves Customer Service for others.
	Standard Voltages:	24, 120, 240 AC 60 Hz; 50 Hz available 6, 12, 24 DC; Contact GC Valves Customer Service for Additional Voltages.
	Voltage Tolerance:	±10% of applicable voltage
	Coil Classes:	F, H, N
	Standard Lead Length:	24 inch
Operating Temperature	Ambient (Nominal):	32°F to 125°F
Mounting	Position:	Vertical and Upright
Approvals*	Agency:	UL Listed, UL Recognized, CSA Approved

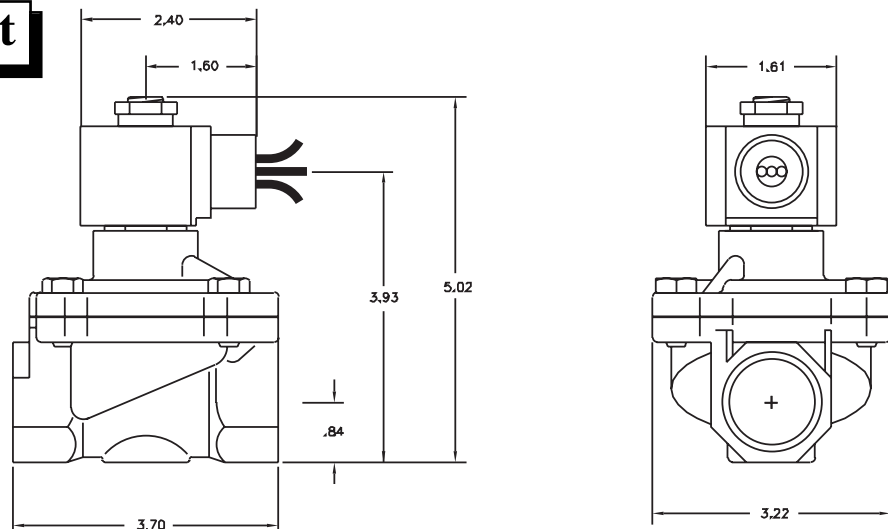
* Not available for all variations

© Registered Trademark of DuPont Co.

Dimensions/Weight

Weight (lbs.)

6.4



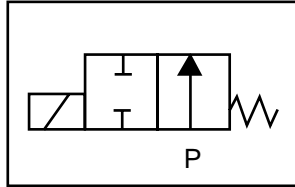
GC Valves Customer Service: 800-828-0484 (7:30am to 4pm ET) or 800-582-4232 (7:30am to 4pm PT)



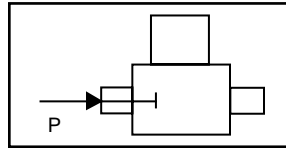
S212 – 1" NPT, Stainless Steel Body, Type 316, Normally Open

Valve Selection List

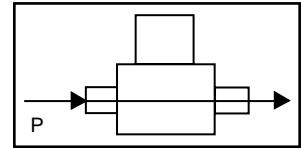
Normally Open



Energized



De-Energized



Pipe Size NPT	Orifice Size IN	C _v	Operating Pressure Differential (psi)								Max Fluid Temp. °F	Seal Material	Power Consumption (Watts)		Model Code (120V/60HZ — 110V/50HZ Shown)	
			Maximum										AC	DC		
			Air/Gas		Water		Light Oil		Steam*							
			AC	DC	AC	DC	AC	DC	AC	DC			AC	DC		
1	1	13	5	200	150	150	150	—	—	—	—	295	EPR	9	9	S212GF02E7FG9
	1	13	5	200	150	150	150	85	85	—	—	180	Nitrile	9	9	S212GF02J7FG9
	1	13	5	200	150	150	150	85	85	—	—	230	Viton	9	9	S212GF02L7FG9
	1	13	5	—	—	—	—	—	—	50*	50*	295	EPR	9	9	S212GH02E7FG9

* Class H Coil Recommended for Steam and Other High Temperature Applications

Part Numbering

1	2	3	4	5	6	7	8	9	10	11	12	13
S	2	1	2	G	F	0	2	E	7	F	G	9
Series			Operating Mode	Housing*	Coil Class*	Voltage*		Seal Material	Body Material	Pipe Connection	Orifice Size	
S21			2: Normally Open	G: Conduit	F: Class F H: Class H	02: 120/60 110/50		E: EPR J: Nitrile L: Viton	7: 316 SS	F: 1" NPT	G9: 1"	
* See the "Engineering Guide" for additional voltages, variations and options.												

Coil Data

Coil Family	
Type	Size
ALL	S3

Frequency (Hz)	60	50	
Nominal Power (VA)	Inrush	36	36
	Holding	18	19

GC Valves Customer Service: 800-828-0484 (7:30am to 4pm ET) or 800-582-4232 (7:30am to 4pm PT)

- **1" NPT**
- **Stainless Steel Body**
- **Type 316**
- **2-Way Zero Differential**
- **Piloted Diaphragm**
- **Normally Open**



Materials	Seals:	Nitrile, Viton®, Ethylene Propylene
	Orifice:	Pilot: Stainless Steel Main: Stainless Steel Ø 1"
Electrical	Standard Housing:	Conduit (NEMA 1)
	Optional Housings:	Watertight (NEMA 4), Junction Box. Contact GC Valves Customer Service for others.
	Standard Voltages:	24, 120, 240 AC 60 Hz; 50 Hz available 12, 24 DC; Contact GC Valves Customer Service for Additional Voltages.
	Voltage Tolerance:	±10% of applicable voltage
	Coil Classes:	F, H
	Standard Lead Length:	18 inch
Operating Temperature	Ambient (Nominal):	32°F to 125°F
Mounting	Position:	Vertical and Upright
Approvals*	Agency:	UL Listed, UL Recognized, CSA Approved

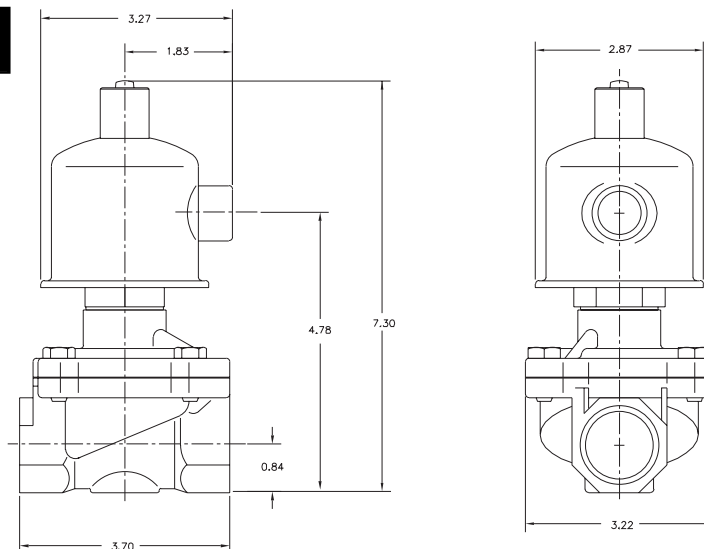
* Not available for all variations

© Registered Trademark of DuPont Co.

Dimensions/Weight

Weight (lbs.)

5.1



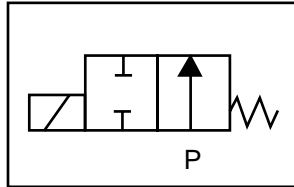
GC Valves Customer Service: 800-828-0484 (7:30am to 4pm ET) or 800-582-4232 (7:30am to 4pm PT)



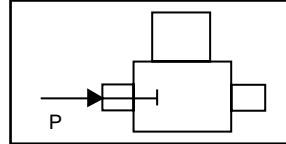
S272 – 1" NPT, Stainless Steel Body, Type 316 Normally Open

Valve Selection List

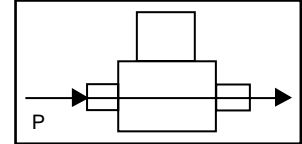
Normally Open



Energized



De-Energized



Pipe Size NPT	Orifice Size IN	C _v	Operating Pressure Differential (psi)								Max Fluid Temp. °F	Seal Material	Power Consumption (Watts)		Model Code (120V/60HZ — 110V/50HZ Shown)	
			Maximum										AC	DC		
			Air/Gas		Water		Light Oil		Steam*							
			Minimum	AC	DC	AC	DC	AC	DC	AC	DC				Stainless Steel Body Type 316	
1	1	13	0	125	—	125	—	—	—	—	—	295	EPR	18.5	—	S272AF02E7FG9
	1	13	0	125	—	125	—	70	—	—	—	180	Nitrile	18.5	—	S272AF02J7FG9
	1	13	0	125	—	125	—	70	—	—	—	230	Viton	18.5	—	S272AF02L7FG9
	1	13	0	—	—	—	—	—	—	50*	—	295	EPR	18.5	—	S272AH02E7FG9

* Class H Coil Recommended for Steam and Other High Temperature Applications

Part Numbering

1	2	3	4	5	6	7	8	9	10	11	12	13
S	2	7	2	A	F	0	2	E	7	F	G	9
Series			Operating Mode	Housing*	Coil Class*	Voltage*		Seal Material	Body Material	Pipe Connection	Orifice Size	
S27			2: Normally Open	A: Conduit	F: Class F H: Class H	02: 120/60 110/50		E: EPR J: Nitrile L: Viton	7: 316 SS	F: 1" NPT	G9: 1"	
* See the "Engineering Guide" for additional voltages, variations and options.												

Coil Data

Coil Family	
Type	Size
All	S5

Frequency (Hz)	60	50
Nominal Power (VA)	Inrush	130
	Holding	22

GC Valves Customer Service: 800-828-0484 (7:30am to 4pm ET) or 800-582-4232 (7:30am to 4pm PT)

- High Performance
- 1" NPT
- Stainless Steel Body
Type 316
- 2-Way Piloted
Diaphragm
- Normally Open



Materials	Seals:	Nitrile, Teflon®
	Orifice:	Pilot Main Stainless Steel Stainless Steel Ø 1"
Electrical	Standard Housing:	Encapsulated Waterproof Conduit (NEMA 4/4X)
	Optional Housings:	Metallic Conduit, Explosion-proof (NEMA 7), Grommet, Open Frame, Junction Box (single or dual knockouts), DIN; Contact GC Valves Customer Service for others.
	Standard Voltages:	24, 120, 240 AC 60 Hz; 50 Hz available 6, 12, 24 DC; Contact GC Valves Customer Service for Additional Voltages.
	Voltage Tolerance:	±10% of applicable voltage
	Coil Classes:	F, H, N
	Standard Lead Length:	24 inch
Operating Temperature	Ambient (Nominal):	32°F to 125°F
Mounting	Position:	±15° From Vertical
Approvals*	Agency:	UL Listed, UL Recognized, CSA Approved

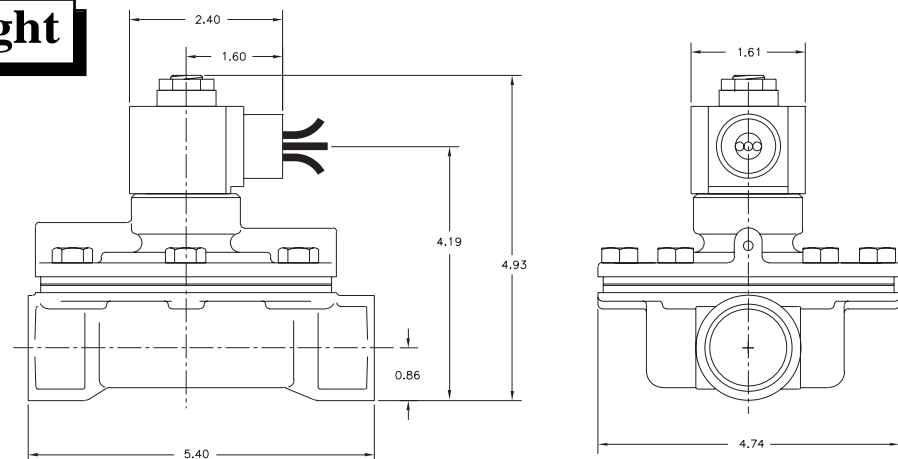
* Not available for all variations

© Registered Trademark of DuPont Co.

Dimensions/Weight

Weight (lbs.)

6.4

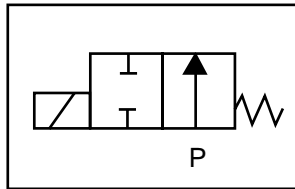




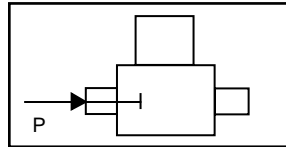
S212 – High Performance, 1" NPT, Stainless Steel Body- Type 316, Normally Open

Valve Selection List

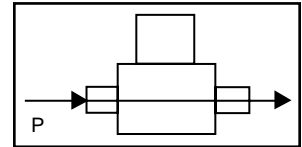
Normally Open



Energized



De-Energized



Pipe Size NPT	Orifice Size IN	C _v	Minimum	Operating Pressure Differential (psi)								Max Fluid Temp. °F	Seal Material	Power Consumption (Watts)		Model Code (120V/60HZ — 110V/50HZ Shown)
				Maximum										AC	DC	
				Air/Gas		Water		Light Oil		Steam*						Stainless Steel Body Type 316
AC	DC	AC	DC	AC	DC	AC	DC	AC	DC	AC	DC					
1	1/2	3.3	1	200	140	200	140	200	140	—	—	230	Nitrile	8	9	S212GF02N1FG9
	1/2	3.3	10	—	—	—	—	—	—	100*	100*	366	Teflon	8	9	S212GH02T1FG9

* Class H Coil Recommended for Steam and Other High Temperature Applications

Part Numbering

1	2	3	4	5	6	7	8	9	10	11	12	13
S	2	1	2	G	F	0	2	N	1	F	G	9
Series			Operating Mode	Housing*	Coil Class*	Voltage*		Seal Material	Body Material	Pipe Connection	Orifice Size	
S21			2: Normally Open	G: Conduit	F: Class F H: Class H	02: 120/60 110/50		N: Nitrile T: Teflon/ EPR	1: Stainless Steel	F: 1" NPT	G9: 1"	
* See the "Engineering Guide" for additional voltages, variations and options.												

Coil Data

Coil Family	
Type	Size
All	S3

Frequency (Hz)	60	50	
Nominal Power (VA)	Inrush	36	36
	Holding	18	22

GC Valves Customer Service: 800-828-0484 (7:30am to 4pm ET) or 800-582-4232 (7:30am to 4pm PT)