

1 FITTINGS

Composite Push-In Fittings - NPTF/INCH

Tube diameter: Ø 1/8", 5/32", 1/4", 5/16", 3/8", 1/2" OD
Connections 1/8, 1/4, 3/8, 1/2 NPTF

These new models have been released in technopolymer, maintaining the same technical characteristics as the existing Camozzi fittings range.

Lightweight, adaptable and they allow for easy maintenance of the collet and the internal seal.
All materials, but the internal seal, can easily be recycled.



Pro-Fit®/Sprint® TORQUE SPECIFICATIONS

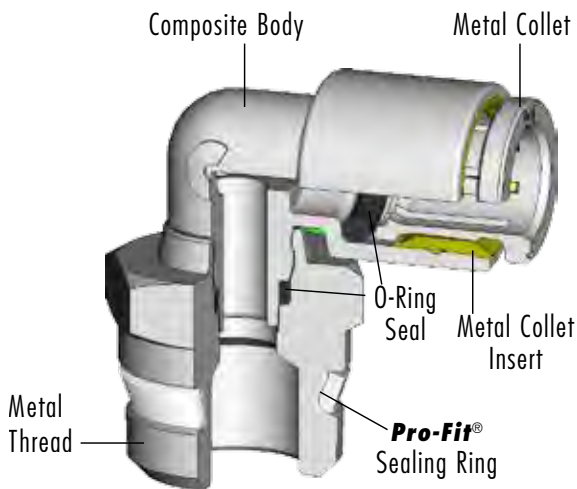
Thread Size	Minimum Torque		Maximum Torque	
	N-m	lb-ft	N-m	lb-ft
M5 [10-32 UNF]	0.200	0.148	2.000	1.475
1/8 NPTF or BSP	1.000	0.738	10.000	7.376
1/4 NPTF or BSP	4.000	2.950	20.000	14.751
3/8 NPTF or BSP	5.000	3.688	20.000	14.751
1/2 NPTF or BSP	8.000	5.900	40.000	29.502

TECHNICAL SPECIFICATIONS

Material	body in technopolymer (glass-reinforced Nylon® 66 resin), insert OT58, collet OT58 nickel-plated brass, seals in BUNA-N, threads nickel-plated brass
Thread connections	NPTF
Operating pressure	0-250 psi
Tube to connect	Rilsan, polyamide 6 - 11 - 12, polyethylene, polyurethane, Nylon®
Diameters Tube OD	ø 1/8", 5/32", 1/4", 5/16", 3/8", 1/2"
Fluid	compressed air (for other types of fluid, contact our engineers)
Temperature	-20° - 60°C (see data for tubing used) (-4°F to 140°F). Consult factory for higher temperature requirements.

Composite Fittings: NPTF Threads with **Pro-Fit**® Seal

The technical solution: Camozzi has maintained the technically advanced and world-renowned collet solution by further optimizing the dimensions and the design from Series 6000 Fittings and Flow Control Valves.



Durable Metal Collet: Nickel-Plated brass collet provides superior resistance to shock, wear and fatigue compared to inferior plastic collets. Proven metal design offers a higher holding force with easier tube release that won't scratch tubing like plastic "bite-ring" designs. Tube OD size is stamped on collet face.

Composite Body: Glass-fiber reinforced, thermoplastic material is incredibly strong and lightweight with improved resistance to UV exposure, abrasion and other chemical substances. Molded composite material allows for integral mounting holes and a broader range of complex shapes.

Pro-Fit Thread Seal-Ring Design: Reusable Teflon seal reduces assembly time by up to 45% and eliminates exposed threads, making it ideal for food processing, robotics, packaging & manifold assemblies. Eliminates risk of pneumatic system contamination from antiquated thread sealants.

FEATURES

Collet

- Nickel-Plated, All-metal Collet and Release ring
- Brass insert for collet support and tube grip strength
- Collet design offers greater grip strength under higher pressure or tubing tension
- Collet release mechanism based on relaxed slope of grip teeth, as opposed to disengaging "bite-rings" from partially cut tubes
- Removable Collet and tube o-rings

Body

- Glass-fiber reinforced, thermoplastic compact injection-molded body
- All-Metal, Nickel-Plated Threads
- Standard Buna-N or Specialized O-ring choices for High-Temp, Low-Temp, Special Fluids, Food-Grade compatibility
- Broad Range of shapes and configurations
- Crimp design on Swivels maintains Full ID Flow path
- Swivels offer Mechanical crimping lock based on brass design

Thread Design

- Multiple Thread sealant systems: **Pro-Fit**®/NPTF & BSP/O-Ring Spot Face
- Full ID Flow for Swivels with high relief on larger sizes

BENEFITS

Collet

- Won't break like plastic release rings, More Durable design
- Brass insert maintains collet stability, tube grip strength and consistent tube-release performance
- Higher holding force, with easier release
- Won't scratch tubes like "bite-ring" designs
- Less chance of micro-leakage and bubble-leaks over time due to damaged tubing
- Higher pressures actually offer greater grip-strength with high-pressure Nylon tubing
- OD Tube Size stamped on Collet face

Body

- Thermoplastic Nylon composite more resistant to UV exposure
- Better resistance to stress-cracking, abrasion, solvents, detergents & hydrocarbons
- 15% Reduction in overall Body size, (24% in Assembly height/ 8% in Tube Radius), compared to recently reduced-size Brass line

Thread Design

- Reduced assembly time without taping of fitting threads
- Re-usable seal design, with no exposed threads
- FDA/NSF approved materials
- Simplified manifold circuits with broader variety of fitting combinations and shapes to select
- Lighter weight for End-of-Arm tooling & Robotic handling
- Compact design reduces overall dimensions for valve assemblies, packaging applications and control cabinets

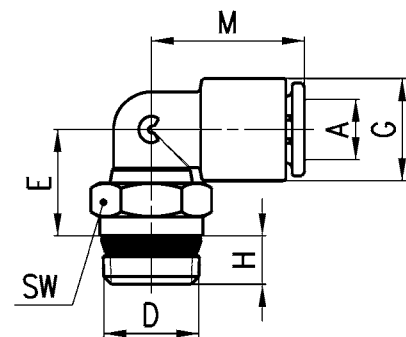
Fittings Mod. P7524 **Pro-Fit**® Thread

Swivel elbow.

DIMENSIONS

Mod.	A	D	E	G	H	M	SW
	OD	UNF					
7522 53-32*	5/32	10/32	0.335	0.354	0.138	0.669	0.354
7522 04-32*	1/4	10/33	0.374	0.453	0.138	0.728	0.354
	OD	NPTF					
P7524 53-02	5/32	1/8	0.433	0.354	0.197	0.669	0.472
P7524 53-04	5/32	1/4	0.453	0.354	0.256	0.669	0.551
P7524 04-02	1/4	1/8	0.472	0.453	0.197	0.728	0.472
P7524 04-04	1/4	1/4	0.492	0.453	0.256	0.728	0.551
P7524 04-06	1/4	3/8	0.512	0.453	0.295	0.728	0.748
P7524 05-02	5/16	1/8	0.531	0.531	0.197	0.807	0.472
P7524 05-04	5/16	1/4	0.531	0.531	0.256	0.807	0.551
P7524 06-02	3/8	1/8	0.551	0.630	0.197	0.945	0.551
P7524 06-04	3/8	1/4	0.591	0.630	0.256	0.945	0.551
P7524 06-06	3/8	3/8	0.591	0.630	0.295	0.945	0.748
P7524 06-08	3/8	1/2	0.610	0.630	0.335	0.945	0.866
P7524 08-04	1/2	1/4	0.630	0.768	0.256	1.102	0.591
P7524 08-06	1/2	3/8	0.650	0.768	0.295	1.102	0.748
P7524 08-08	1/2	1/2	0.669	0.768	0.335	1.102	0.866

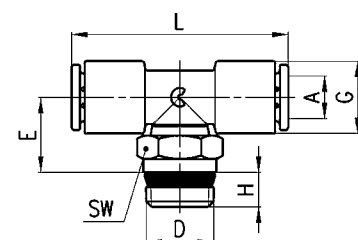
* 10-32 UNF thread seal with O-Ring

Fittings Mod. P7434 **Pro-Fit**® Thread

Male Branch Tee Swivel

DIMENSIONS

Mod.	OD A	NPT D	E	G	H	L	SW
P7434 53-02	5/32	1/8	0.531	0.354	0.197	1.339	0.472
P7434 53-04	5/32	1/4	0.551	0.354	0.256	1.339	0.551
P7434 04-02	1/4	1/8	0.591	0.453	0.197	1.457	0.472
P7434 04-04	1/4	1/4	0.610	0.453	0.256	1.457	0.551
P7434 04-06	1/4	3/8	0.630	0.453	0.295	1.457	0.748
P7434 06-04	3/8	1/4	0.709	0.630	0.256	1.890	0.551
P7434 06-06	3/8	3/8	0.709	0.630	0.295	1.890	0.748
P7434 06-08	3/8	1/2	0.728	0.630	0.335	1.890	0.866
P7434 08-04	1/2	1/4	1.280	0.768	0.256	2.205	0.787
P7434 08-06	1/2	3/8	1.280	0.768	0.295	2.205	0.787
P7434 08-08	1/2	1/2	1.299	0.768	0.335	2.205	0.866

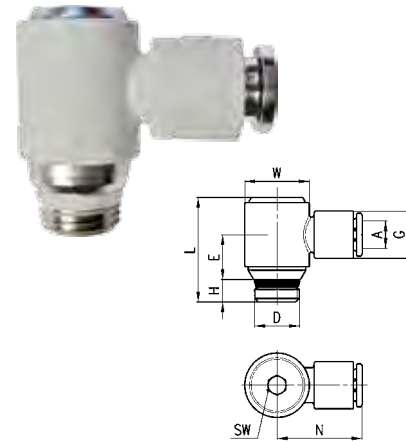


Fittings Mod. P7624 **Pro-Fit®**

Banjo Swivel

DIMENSIONS

Mod.	OD A	NPT D	E	G	H	L	N	W	SW
P7624 53-02	5/32	1/8	0.413	0.453	0.197	0.984	0.827	0.551	0.157
P7624 04-02	1/4	1/8	0.413	0.453	0.197	0.984	0.827	0.551	0.157
P7624 04-04	1/4	1/4	0.512	0.453	0.256	1.142	0.965	0.728	0.197
P7624 05-04	5/16	1/4	0.512	0.531	0.256	1.142	0.965	0.728	0.197
P7624 06-04	3/8	1/4	0.492	0.630	0.256	1.142	1.063	0.728	0.197
P7624 06-06	3/8	3/8	0.492	0.630	0.295	1.201	1.063	0.728	0.197

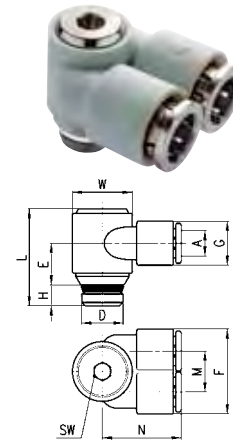


Fittings Mod. P7654 **Pro-Fit®**

Double Banjo Swivel

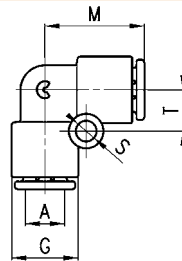
DIMENSIONS

Mod.	OD A	NPT D	E	F	G	H	L	M	N	W	SW
P7654 53-02	5/32	1/8	0.413	0.866	0.453	0.197	0.984	0.421	0.827	0.551	0.157
P7654 04-02	1/4	1/8	0.413	0.866	0.453	0.197	0.984	0.421	0.827	0.551	0.157
P7654 04-04	1/4	1/4	0.512	1.043	0.453	0.256	1.142	0.500	0.965	0.728	0.197
P7654 05-04	5/16	1/4	0.512	1.043	0.531	0.256	1.142	0.500	0.965	0.728	0.197
P7654 06-04	3/8	1/4	0.492	1.220	0.630	0.256	1.142	0.591	1.063	0.728	0.197
P7654 06-06	3/8	3/8	0.492	1.220	0.630	0.295	1.201	0.591	1.063	0.728	0.197



Fittings Mod. 7550

Union Elbow

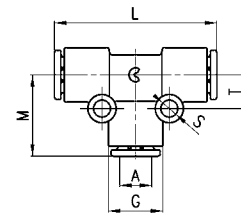


DIMENSIONS

Mod.	OD A	G	M	S	T
7550 53	5/32	0.354	0.669	0.157	0.256
7550 04	1/4	0.453	0.728	0.157	0.295
7550 05	5/16	0.531	0.807	0.157	0.335
7550 06	3/8	0.630	0.945	0.157	0.315
7550 08	1/2	0.768	1.102	0.157	0.378

Fittings Mod. 7540

Union Tee



DIMENSIONS

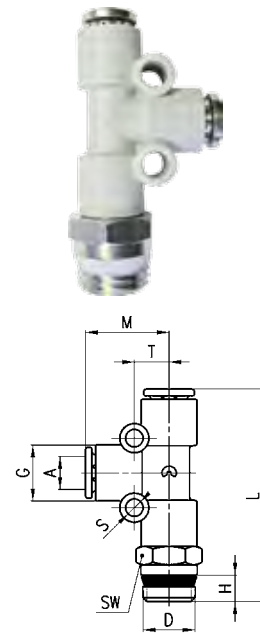
Mod.	OD A	G	L	M	S	T
7540 53	5/32	0.354	1.339	0.669	0.157	0.256
7540 04	1/4	0.453	1.457	0.728	0.157	0.295
7540 05	5/16	0.531	1.614	0.807	0.157	0.335
7540 06	3/8	0.630	1.890	0.945	0.157	0.315
7540 08	1/2	0.768	2.205	1.102	0.157	0.378

Fittings Mod. P7444 **Pro-Fit**® Thread

Male Run Tee Swivel

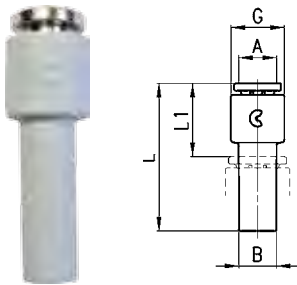
DIMENSIONS

Mod.	OD A	NPT D	G	H	L	M	S	T	SW
P7444 53-02	5/32	1/8	0.354	0.197	1.673	0.669	0.157	0.256	0.472
P7444 53-04	5/32	1/4	0.354	0.256	1.850	0.669	0.157	0.256	0.551
P7444 04-02	1/4	1/8	0.453	0.197	1.791	0.728	0.157	0.295	0.472
P7444 04-04	1/4	1/4	0.453	0.256	1.870	0.728	0.157	0.295	0.551
P7444 04-06	1/4	3/8	0.453	0.295	1.929	0.728	0.157	0.295	0.748
P7444 06-04	3/8	1/4	0.630	0.256	2.323	0.945	0.157	0.315	0.551
P7444 06-06	3/8	3/8	0.630	0.295	2.362	0.945	0.157	0.315	0.748
P7444 06-08	3/8	1/2	0.630	0.335	2.421	0.945	0.157	0.315	0.866
P7444 08-04	1/2	1/4	0.768	0.256	2.638	1.102	0.157	0.378	0.591
P7444 08-06	1/2	3/8	0.768	0.295	2.677	1.102	0.157	0.378	0.748
P7444 08-08	1/2	1/2	0.768	0.335	2.736	1.102	0.157	0.378	0.866



Fittings Mod. 7800

Reducer

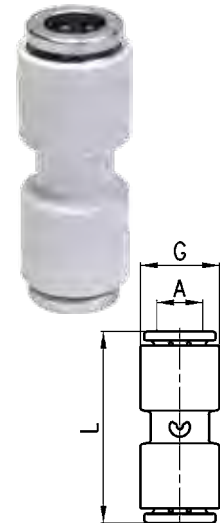


DIMENSIONS

Mod.	OD A	OD B	G	L1	L
7800 53-04	5/32	1/4	0.354	0.571	1.161
7800 04-06	1/4	3/8	0.453	0.610	1.339
7800 04-08	1/4	1/2	0.453	0.650	1.398
7800 06-08	3/8	1/2	0.630	0.728	1.476

Fittings Mod. 7580

Union

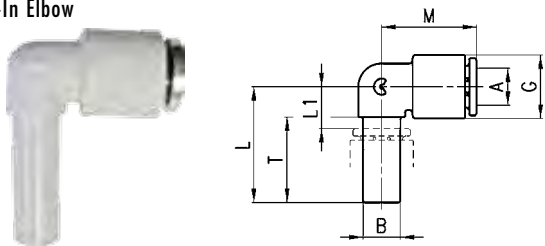


DIMENSIONS

Mod.	OD A	G	L
7580 53	5/32	0.354	1.142
7580 04	1/4	0.453	1.220
7580 05	5/16	0.531	1.319
7580 06	3/8	0.630	1.516
7580 08	1/2	0.768	1.555

Fittings Mod. 7555

Plug-In Elbow

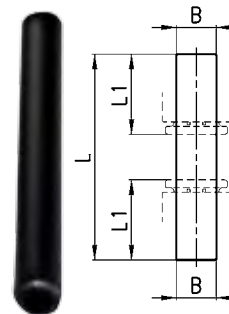


DIMENSIONS

Mod.	OD A	F	G	L	S	H	B
7555 53-53	5/32	5/32	0.354	0.827	0.276	0.669	0.650
7555 04-04	1/4	1/4	0.453	0.906	0.315	0.728	0.689
7555 05-05	5/16	5/16	0.531	0.984	0.354	0.807	0.728
7555 06-06	3/8	3/8	0.630	1.122	0.394	0.945	0.827
7555 08-08	1/2	1/2	0.768	1.260	0.512	1.102	0.906

Fittings Mod. 7950

Double Union Stem

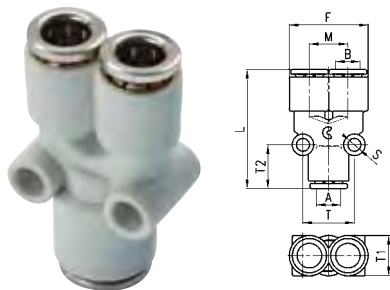


DIMENSIONS

Mod.	OD B	L	L1
7950 53	5/32	1.457	0.551
7950 04	1/4	1.535	0.591
7950 06	3/8	1.732	0.728
7950 08	1/2	1.929	0.748

Fittings Mod. 7560

Union Y



DIMENSIONS

Mod.	OD A	B	F	L	M	S	T	T1	T2
7560 53	5/32	5/32	0.669	1.299	0.327	0.157	0.425	0.354	0.512
7560 04	1/4	1/4	0.866	1.378	0.421	0.157	0.571	0.433	0.531
7560 05	5/16	5/16	1.024	1.555	0.500	0.157	0.669	0.531	0.571

Fittings Mod. 7545

Multi-Tee Manifold



PLEASE CONSULT FACTORY
FOR AVAILABILITY.

DIMENSIONS

Mod.	tube ø
7545 04-53	1/4 - 5/32
7545 05-04	5/16 - 1/4
7545 06-04	3/8 - 1/4

Fittings Mod. 7575

Multi-Y



PLEASE CONSULT FACTORY
FOR AVAILABILITY.

DIMENSIONS

Mod.	tube ø
7575 04-53	1/4 - 5/32
7575 06-04	3/8 - 1/4

Fittings Mod. P7526

Extended Male Elbow Swivel



PLEASE CONSULT FACTORY
FOR AVAILABILITY.

DIMENSIONS

Mod.	tube ø	thread
P7526 04 02	1/4	1/8
P7526 04 04	1/4	1/8
P7526 06 02	3/8	1/4
P7526 06 04	3/8	1/4

Fittings Mod. P7544

Multiple Tee Manifold Swivel



PLEASE CONSULT FACTORY
FOR AVAILABILITY.

DIMENSIONS

Mod.	tube ø	thread
P7544 04-53 02	1/4 - 5/32	1/8
P7544 05-53 02	5/16 - 5/32	1/8
P7544 05-04 04	5/16 - 1/4	1/4
P7544 06-04 06	3/8 - 1/4	3/8

Fittings Mod. P7564

Male Y Swivel

PLEASE CONSULT FACTORY
FOR AVAILABILITY.

DIMENSIONS

Mod.	tube ø	thread
P7564 53 02	5/32	1/8
P7564 04 02	1/4	1/8
P7564 04 04	1/4	1/4
P7564 05 02	5/16	1/8
P7564 05 04	5/16	1/4
P7564 06 04	3/8	1/4
P7564 06 06	3/8	3/8



Fittings Mod. P7574

Multiple Y Swivel

PLEASE CONSULT FACTORY
FOR AVAILABILITY.

DIMENSIONS

Mod.	tube ø	thread
P7574 53 02	5/32	1/8
P7574 53 04	5/32	1/4
P7574 04 02	1/4	1/8
P7574 04 04	1/4	1/4

