

Miniature Air Regulators



SPECIFICATIONS

Body

- Glass filled nylon

Bonnet

- Glass filled nylon

Seals

- Buna N

Supply Pressure

- 250 psig

Operating Pressure Range

- 5 to 125 psig standard
- 3 to 60 psig optional
- 3 to 20 psig optional

Operating Temperature Range

- 40°F to 120°F

Gauge Ports

- 1/8" standard, full flow

KITS

Panel Mounting Kit

- Ring only, panel hole size 1 3/16" PK1611

Diaphragm Kits

- Relieving RK260
- Non-relieving RK260N

Bracket Kit see page 65

- Bracket and ring BR1611

Applications

- Non-relieving diaphragm can be used on liquid applications

FEATURES

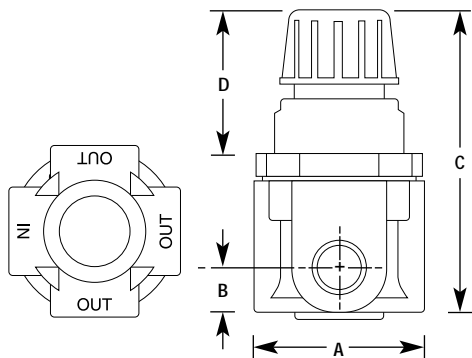
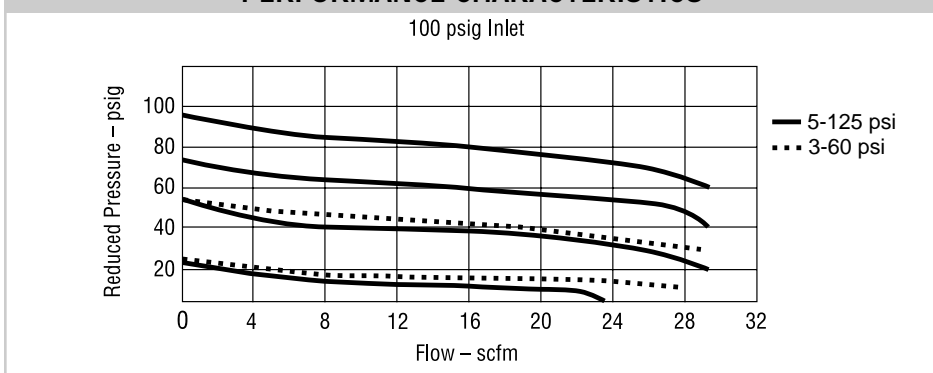
- Micro seat finish to ensure no reduced pressure creep
- Diaphragm operation
- Relieving style standard
- Three position non-rising adjustment knob; push to lock, pull to adjust, detach to make tamper resistant
- Easily panel mounted
- Tamper-proof cap included
- Lightweight

OPTIONS

add suffix to part number in alpha order

- B** 2-Position Mechanical Lock Knob R262B
- G** Gauge (0-160 psi) R262G
- I** Instrument pressure 3 to 20 psi adjustment R262I
- L** Low pressure 3 to 60 psi adjustment R262L
- N** Non-relieving R262N
- P** Panel mount R262P
- U** No gauge ports R262U
- V** All 1/4" ports R262V
- Y1** Viton diaphragm/valve set R262Y1
- Y2** EDPM diaphragm/valve set R262Y2

PERFORMANCE CHARACTERISTICS



DIMENSIONS

PIPE SIZE	MODEL NO.	MAX. FLOW SCFM	DIMENSIONS (INCHES)				WEIGHT (OZS.)
			A	B	C	D	
1/8"	R261	25	1 1/2	1/2	2 3/4	1 1/4	2
1/4"	R262	25	1 1/2	1/2	2 3/4	1 1/4	2



Tri•Star Regulators

R35

SPECIFICATIONS

- Body**
- Black coated aluminum
- Bonnet**
- Glass filled nylon
- Seals**
- Buna N Elastomer standard
- Seat**
- Brass

KITS

Repair Kits

- Diaphragm kit relieving DK35
- Diaphragm kit Non-relieving DK35N
- Valve kit VK35

Mounting Kits see page 65

- Bracket kit RBK5
- Panel mounting kit ring only panel hole size 1³/₁₆" PKR35
- Panel mount bracket and ring PMKR35

FEATURES

- Micro finished brass seat to ensure no reduced pressure creep
- Reinforce diaphragm for repeated accuracy
- Minimal pressure droop due to efficient aspiration
- Three position non-rising adjustment knob; push to lock, pull to adjust, detach to make tamper resistant
- Relieving style standard
- In-line or modular installation
- Easily panel mounted
- Tamper-proof cap included
- High scfm flow due to efficient aspiration

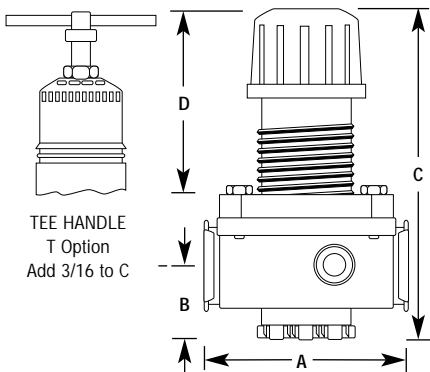
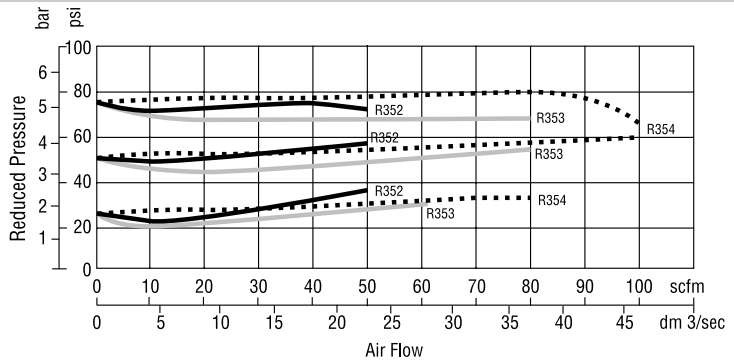
OPTIONS

add suffix to part number in alpha order

- G** Gauge (0-160 psi) R354G
- H** High pressure R354H
10 to 250 psi adjustment
- I** Instrument pressure R354I
3 to 20 psi adjustment
- L** Low pressure R354L
3 to 60 psi adjustment
- N** Non-relieving R354N
- P** Panel mount R354P
- T** Tee handle adjustment R354T

- Supply Pressure**
- 250 psig
- Operating Pressure Range**
- 5 to 125 psig
- Operating Temperature Range**
- 40°F to 120°
- Gauge Port**
- 1/4" full flow

PERFORMANCE CHARACTERISTICS



DIMENSIONS

PIPE SIZE	MODEL NO.	MAX. FLOW SCFM	DIMENSIONS (INCHES)					WEIGHT (LBS.)
			A	B	C	D	E (WIDTH)	
1/4"	R352	50	2 ²¹ / ₃₂	1 ⁷ / ₃₂	5 ³ / ₈	2 ³ / ₄	2 ¹ / ₄	1.0
3/8"	R353	80	2 ²¹ / ₃₂	1 ⁷ / ₃₂	5 ³ / ₈	2 ³ / ₄	2 ¹ / ₄	1.0
1/2"	R354	100	2 ²¹ / ₃₂	1 ⁷ / ₃₂	5 ³ / ₈	2 ³ / ₄	2 ¹ / ₄	1.0



MidFlow Regulators

R37

SPECIFICATIONS

- Body**
 - Black coated aluminum
- Bonnet**
 - Glass filled nylon
- Seals**
 - Buna N Elastomer standard
- Seat**
 - Brass

KITS

Repair Kits

- Diaphragm kit relieving DK35
- Diaphragm kit Non-relieving DK35N
- Valve kit VK37

Mounting Kits see page 65

- Bracket kit RBK7
- Panel mounting kit ring only panel hole size 1³/₁₆" PKR35
- Panel mount bracket and ring PMKR35

FEATURES

- Micro finished brass seat to ensure no reduced pressure creep
- Reinforce diaphragm for repeated accuracy
- Minimal pressure droop due to efficient aspiration
- Three position non-rising adjustment knob; push to lock, pull to adjust, detach to make tamper resistant
- Relieving style standard
- Easily panel mounted
- Tamper-proof cap included
- High scfm flow due to efficient aspiration

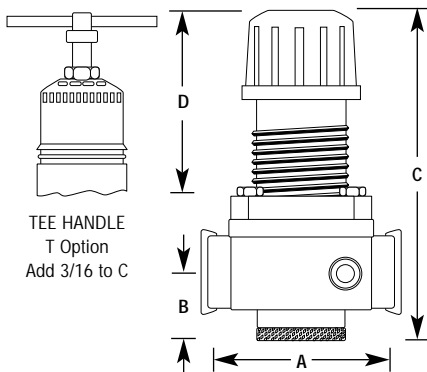
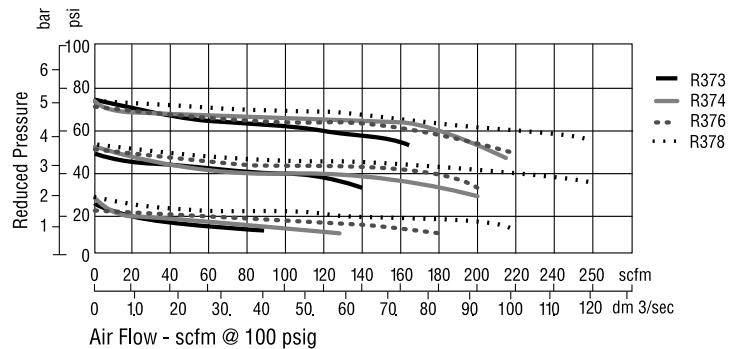
OPTIONS

add suffix to part number in alpha order

- G** Gauge (0-160 psi) R373G
- H** High pressure R373HT
10 to 250 psi adjustment - *Must use T-handle option*
- I** Instrument pressure R373I
3 to 20 psi adjustment
- L** Low pressure R373L
3 to 60 psi adjustment
- N** Non-relieving R373N
- P** Panel mount R373P
- T** Tee handle adjustment R373T

- Supply Pressure**
 - 250 psig
- Operating Pressure Range**
 - 5 to 125 psig
- Operating Temperature Range**
 - 40°F to 120°
- Gauge Port**
 - 1/4" full flow

PERFORMANCE CHARACTERISTICS



DIMENSIONS

PIPE SIZE	MODEL NO.	MAX. FLOW SCFM	DIMENSIONS (INCHES)					WEIGHT (LBS.)
			A	B	C	D	E (WIDTH)	
3/8"	R373	170	3 ⁷ / ₁₆	1 ¹³ / ₃₂	5 ⁷ / ₈	2 ³ / ₄	2 ¹ / ₄	1.3
1/2"	R374	215	3 ⁷ / ₁₆	1 ¹³ / ₃₂	5 ⁷ / ₈	2 ³ / ₄	2 ¹ / ₄	1.3
3/4"	R376	220	3 ⁷ / ₁₆	1 ¹³ / ₃₂	5 ⁷ / ₈	2 ³ / ₄	2 ¹ / ₄	1.3
1"	R378	250	3 ⁷ / ₁₆	1 ¹³ / ₃₂	5 ⁷ / ₈	2 ³ / ₄	2 ¹ / ₄	1.3

High Flow Regulators



SPECIFICATIONS

Body

- Black coated aluminum

Bonnet

- Die cast aluminum, black coated

Seals

- Buna N Elastomer standard

Seat

- Brass

Supply Pressure

- 250 psig

Operating Pressure Range

- 5 to 125 psig

Operating Temperature Range

- 40°F to 120°F

Gauge Ports

- 1/4"

KITS

Repair Kit

- Piston relieving DK39
- Piston non-relieving DK39N
- Valve VK39
- Spring (5-125 psi) SK39
- Spring (3-60 psi) SK39L
- Spring (10-200 psi) SK39H
- Spring cage SC39

Mounting Kits see page 65

- Bracket Kit RBK39
- Panel mounting kit ring only . PKR35
panel hole size 1-3/16"

FEATURES

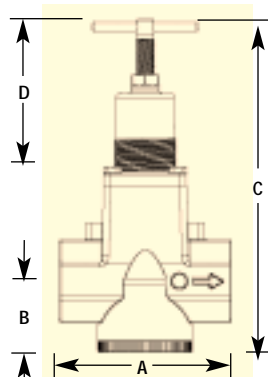
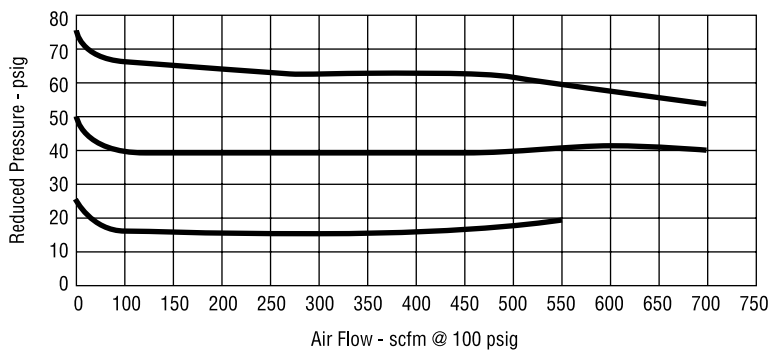
- Micro finished brass seat to ensure no reduced pressure creep
- Relieving style piston standard
- High scfm flow due to efficient aspiration
- Hard epoxy corrosion protection
- Available in 1", 1-1/4", 1-1/2" NPT sizes

OPTIONS

add suffix to part number in alpha order

- G Gauge (0-160 psi) R398G
- H High pressure R398H
10 to 250 psi adjustment
- L Low pressure R398L
3 to 60 psi adjustment
- P Panel mount R398P

PERFORMANCE CHARACTERISTICS



DIMENSIONS

PIPE SIZE	MODEL NO.	MAX. FLOW SCFM	DIMENSIONS (INCHES)				WEIGHT (LBS.)
			A	B	C	D	
1"	R398	600	4 7/8	2 1/32	9 1/2	4 1/4	3.4
1 1/4"	R3910	700	4 7/8	2 1/32	9 1/2	4 1/4	3.3
1 1/2"	R3912	700	4 7/8	2 1/32	9 1/2	4 1/4	3.2