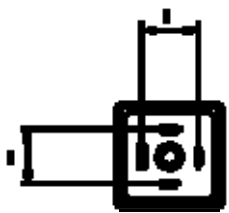


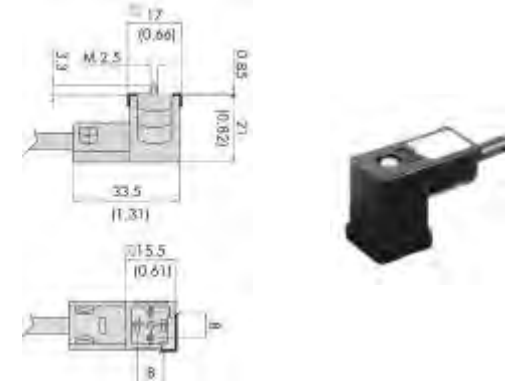
# DIN 43650C Micro-mini 8mm Pre-wired Molded Connectors



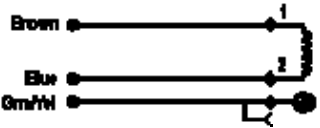
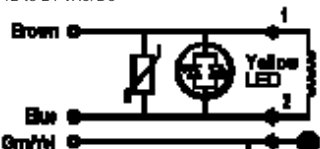
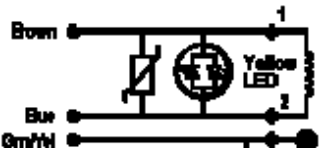
DUAL JUMPED GROUND PINS , Molded cable assemblies can be mounted with cable exiting the ground side or opposite.

\* Four wire units have one ground pin and 3 "U" shaped pins. Cable exit direction must be specified.

**Molded Cable Assemblies**  
Black PVC Cable & Connector

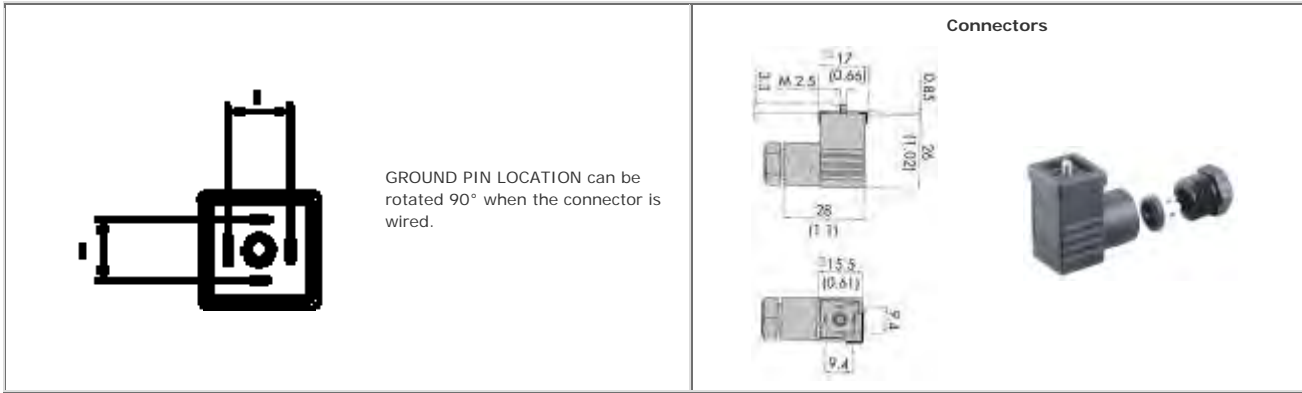


3 Pole (3 Flat Pins)

Part Numbers	Cable Length	Poles	
<b>0 to 250 VAC/DC</b>  Without LED & Suppression	3 Meter (9.8 Feet)	3	CP1-N02-000-C01-3
	5 Meter (16.4 Feet)	3	CP1-N02-000-C01-5
	3 Meter (9.8 Feet)	4*	
	5 Meter (16.4 Feet)	4*	
<b>12 to 24 VAC/DC</b>  With LED & Suppression	3 Meter (9.8 Feet)	3	CP1-N02-VL1-C01-3
	5 Meter (16.4 Feet)	3	CP1-N02-VL1-C01-5
<b>110 to 120 VAC/DC</b>  With LED & Suppression	3 Meter (9.8 Feet)	3	CP1-N02-VL2-C01-3
	5 Meter (16.4 Feet)	3	CP1-N02-VL2-C01-5

Technical Information			
Connection Voltage	As Listed in Drawing	Cable Type	H03VVF
Nominal Power	3A	Jacket Material	Black PVC
Test Voltage	250VAC - 300 VDC max.	Conductor Size	20/3 AWG
Insulation Group	VDC 0110 1/89 Class C	Conductor Color	Brn, Blue, (Blk), Grn/Yel
Clamping Voltage 24V	34V	Nominal Cable OD	6.7mm
Clamping Voltage 110V	185V	Bend Radius	10 X Cable OD
Connector Material	Glass Reinforced Polypropylene	Center Screw	M2.5 x 21.5mm
Protection Rating	IP 65; IP 67 on Request	Temperature Range	-2° to +176° F
Contact Resistance	≤ 4 mΩ		

# DIN 43650C – Micro-mini 8mm Field Wire Able Connectors



Part Numbers	Poles	Gland Size	12-24V	110-130V
Without Components 	3	Pg9 (.24" to .32")	P1-NZ2-000	P1-NZ2-000
	4	Pg9 (.24" to .32")	P1-NZ3-000	P1-NZ3-000
LED Only 	3	Pg9 (.24" to .32")	P1-NZ2-L01	P1-NZ2-L02
Varistor & LED 	3	Pg9 (.24" to .32")	P1-NZ2-VL1	P1-NZ2-VL2
Diode & LED 	3	Pg9 (.24" to .32")	P1-NZ2-DL1	P1-NZ2-DL2

Technical Information			
Connection Voltage	As Listed in Drawing	Max Wire Size	16 AWG
Nominal Power	10A (16A Maximum)	Center Screw	M3 x 28.5mm
Insulation Group	VDC 0110 1/89 Class C	Temperature Range	-2° to +176° F
Connector Material	Glass Reinforced Polypropylene	Varistor Clamp -- 24/110	34V / 185V
Protection Rating	IP 65; IP 67 on Request	Diode Type	1N4007
Contact Resistance	$\leq 4 \text{ m}\Omega$	Rectifier Factor	X .9