

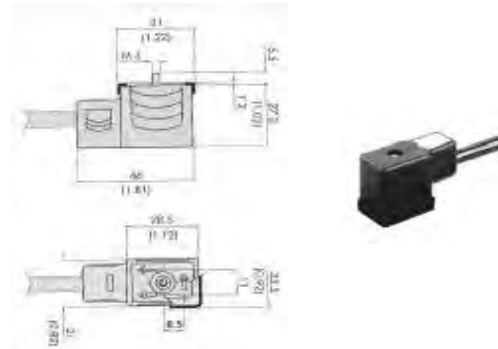
Industrial Form B, DIN 43650 - 11mm Pre-wired Molded Connectors



Actual Size

GROUND PIN LOCATION must be specified. Position is noted looking at the face of the connector with the cable exiting down. In the 6:00 position the ground pin is at the bottom. In the 12:00 position the ground pin is at the top

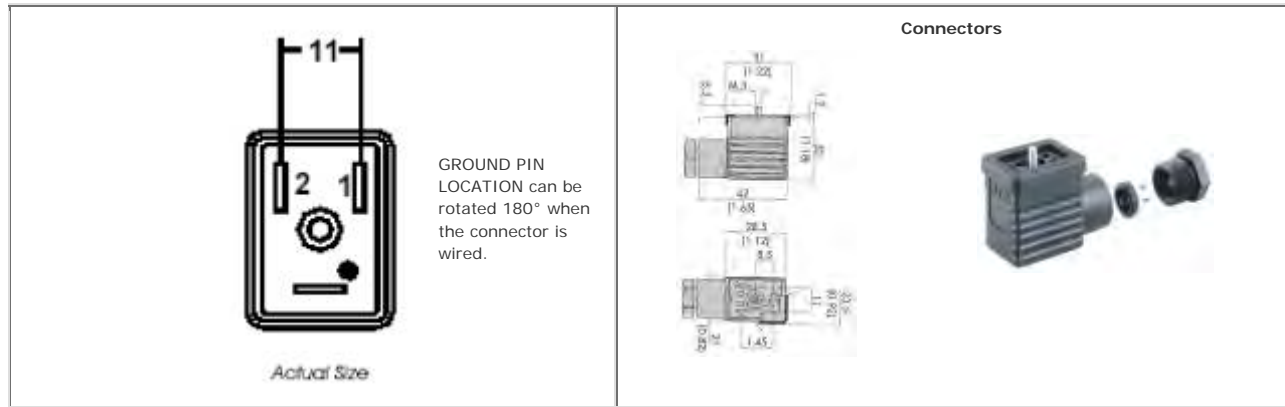
Molded Cable Assemblies Black PVC Cable & Connector

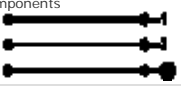
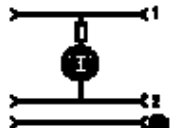
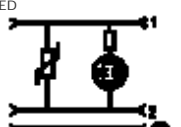
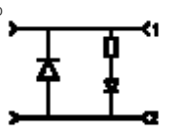


Part Numbers	Cable Length	12:00 (Ground Up)	6:00 (Ground Down)
0 to 250 VAC/DC Without LED & Suppression	3 Meter (9.8 Feet)	CM1-N02-000-B02-3N	CM1-N02-000-A02-3N
	5 Meter (16.4 Feet)	CM1-N02-000-B02-5N	CM1-N02-000-A02-5N
12 to 24 VAC/DC With LED & Suppression	3 Meter (9.8 Feet)	CM1-N02-VL1-B02-3N	CM1-N02-VL1-A02-3N
	5 Meter (16.4 Feet)	CM1-N02-VL1-B02-5N	CM1-N02-VL1-A02-5N
110 to 120 VAC/DC With LED & Suppression	3 Meter (9.8 Feet)	CM1-N02-VL2-B02-3N	CM1-N02-VL2-A02-3N
	5 Meter (16.4 Feet)	CM1-N02-VL2-B02-5N	CM1-N02-VL2-A02-5N

Technical Information			
Connection Voltage	As Listed in Drawing	Cable Type	HO5VVF
Nominal Power	10A	Jacket Material	Black PVC
Test Voltage	250VAC - 300 VDC max.	Conductor Size	18/3 AWG
Insulation Group	VDC 0110 1/89 Class C	Conductor Color	Brn, Blue, Grn/Yel
Clamping Voltage 24V	42V	Nominal Cable OD	6.7mm
Clamping Voltage 110V	185V	Bend Radius	10 X Cable OD
Connector Material	Glass Reinforced Polypropylene	Center Screw	M3 x 28.7mm
Protection Rating	IP 65; IP 67 on Request	Temperature Range	-2° to +176° F
Contact Resistance	$\leq 4 \text{ m}\Omega$		

Industrial Form B, DIN 43650 – 11mm Field Wire Able Connectors



Part Numbers	Poles	Gland Size	12-24V	110-130V
Without Components 	3	Pg9 (.24" to .32")	M1-NS2-000	M1-NS2-000
LED Only 	3	Pg9 (.24" to .32")	M1-TS2-L01	M1-TS2-L02
Varistor & LED 	3	Pg9 (.24" to .32")	M1-TS2-VL1	M1-TS2-VL2
Diode & LED 	3	Pg9 (.24" to .32")	M1-TS2-DL1	M1-TS2-DL2

Technical Information			
Connection Voltage	As Listed in Drawing	Max Wire Size	16 AWG
Nominal Power	10A (16A Maximum)	Center Screw	M3 x 32.5mm
Insulation Group	VDC 0110 1/89 Class C	Temperature Range	-2° to +176° F
Connector Material	Glass Reinforced Polypropylene	Varistor Clamp --+ 24/110	42V / 185V
Protection Rating	IP 65	Diode Type	1N4007
Contact Resistance	$\leq 4 \text{ m}\Omega$	Rectifier Factor	X .9