

EMT Conduit

Our commitment to superior design and quality is most evident in our self-manufactured (Made in USA) line of **EMT Set Screw & Compression Connectors** and **Couplings**. American Fittings features **EMT conduit** fittings that connect and bond electrical metallic tubing to a box or enclosure or, couple two ends of EMT conduit. A lower profile imported line of EMT compression and set screw connectors and couplings are also available.

- Compression and Set Screw Connectors and Couplings are fabricated from the highest quality screw machined steel, and brightly zinc plated for corrosion resistance.
- All connectors are available with or without an insulated throat. The nylon insulator is a UL component that protects conductors, decreases wire-pulling effort, and averts thread damage during handling.
- Connectors are also standard with a locknut to aid in bonding between the fitting and box or enclosure. Designed with a superior steel construction and precise clean threads, locknuts will tighten without distortion and will not loosen from vibration.
- All American made EMT fittings carry a concrete tight listing. American made 1/2" to 2" EMT Compression are also UL listed rain tight.
- Conduit hangers with bolts and EMT steel straps are available to secure and support EMT conduit to a mounting surface.
- Set screw fittings provide a concrete tight connection when taped.
- Insulating bushings can be furnished to offer protection from rough edges of conduit.

Inside this section

Compression Connectors and Couplings . . .	50 - 52
Set Screw Connectors and Couplings	53 - 54
Conduit Hangers	55
EMT Steel Straps	56
EMT Insulating Bushings	57



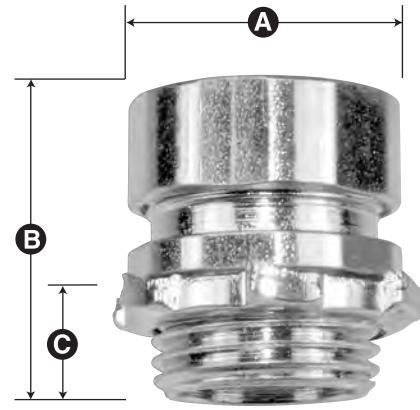
Since 1946

EMT Connectors Compression Type



- For connecting & bonding electrical metallic tubing to a box or enclosure
- Concrete Tight 1/2" to 4"
- Screw Machined Steel, zinc plated
- 2-1/2" to 4" malleable iron

Cat. #	Size	Unit Ctn	Std Pkg	WT/100
EC750US	1/2"	50	250	8
EC751US	3/4"	25	250	12
EC752US	1"	20	100	19
EC753US	1-1/4"	5	50	30
EC754US	1-1/2"	5	25	46
EC755US	2"	5	25	55
EC756US	2-1/2"	-	5	242
EC757US	3"	-	3	307
EC758US	3-1/2"	-	3	390
EC759US	4"	-	2	492

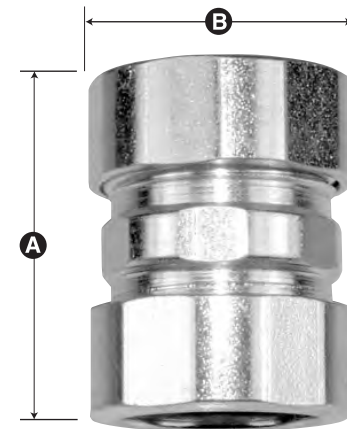


Dimensional Table

Cat. #	A Diameter	B Length	C Length of Thread
EC750BUS	1.750	1.250	.406
EC751BUS	1.813	1.563	.406
EC752BUS	2.000	1.813	.406
EC753BUS	2.750	2.188	.500
EC754BUS	3.000	2.438	.500
EC755BUS	3.188	2.938	.688
EC756BUS	3.929	3.875	1.250
EC757BUS	4.650	4.000	1.375
EC758BUS	5.198	4.312	1.375
EC759BUS	5.750	4.50	1.500

With Insulated Throat

Cat. #	Size	Unit Ctn	Std Pkg	WT/100
EC750BUS	1/2"	50	250	8
EC751BUS	3/4"	25	250	12
EC752BUS	1"	20	100	19
EC753BUS	1-1/4"	5	50	30
EC754BUS	1-1/2"	5	25	46
EC755BUS	2"	5	25	55
EC756BUS	2-1/2"	-	5	242
EC757BUS	3"	-	3	307
EC758BUS	3-1/2"	-	3	390
EC759BUS	4"	-	2	492



Dimensional Table

Cat. #	A Length	B Diameter
EC760US	1.688	1.250
EC761US	2.000	1.563
EC762US	2.125	1.813
EC763US	3.063	2.188
EC764US	3.125	2.438
EC765US	3.375	2.938
EC766US	5.750	3.931
EC767US	5.720	4.667
EC768US	6.000	5.200
EC769US	6.811	5.750

EMT Couplings Compression Type



- For coupling two ends of electric metallic tubing
- Concrete Tight 1/2" to 4"
- Screw Machined Steel, zinc plated
- 2-1/2" to 4" - malleable iron

Cat. #	Size	Unit Ctn	Std Pkg	WT/100
EC760US	1/2"	50	250	8
EC761US	3/4"	25	125	13
EC762US	1"	20	100	19
EC763US	1-1/4"	5	50	30
EC764US	1-1/2"	5	25	46
EC765US	2"	5	25	60
EC766US	2-1/2"	-	5	360
EC767US	3"	-	3	405
EC768US	3-1/2"	-	2	545
EC769US	4"	-	2	635

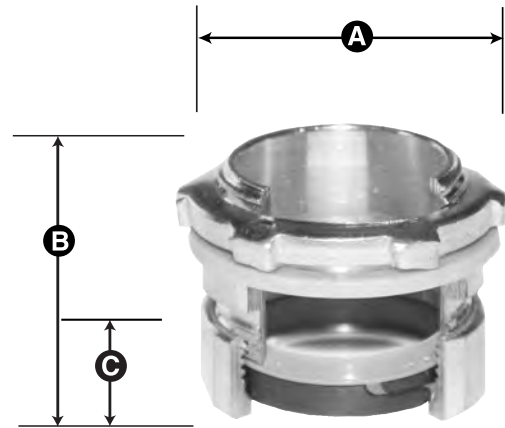
EMT Connectors

Compression Type/Raintight



- Rain and Concrete Tight 1/2" to 2"
- For use in wet locations to ground and secure EMT raceway boxes and enclosures
- Connector utilizes internal and external sealing rings to prevent entrance of water or moisture
- Screw machined steel, zinc plated

Cat. #	Size	Unit Ctn	Std Pkg	WT/100
EC750USRT	1/2"	50	250	8
EC751USRT	3/4"	25	250	12
EC752USRT	1"	20	100	19
EC753USRT	1-1/4"	5	50	30
EC754USRT	1-1/2"	5	25	46
EC755USRT	2"	5	25	55



Dimensional Table

Cat. #	A Diameter	B Length	C Length of Thread
EC750USRT	1.750	1.250	.406
EC751USRT	1.813	1.563	.406
EC752USRT	2.000	1.813	.406
EC753USRT	2.750	2.188	.500
EC754USRT	3.000	2.438	.500
EC755USRT	3.188	2.938	.688

With Insulated Throat

Cat. #	Size	Unit Ctn	Std Pkg	WT/100
EC750BUSRT	1/2"	50	250	8
EC751BUSRT	3/4"	25	250	12
EC752BUSRT	1"	20	100	19
EC753BUSRT	1-1/4"	5	50	30
EC754BUSRT	1-1/2"	5	25	46
EC755BUSRT	2"	5	25	55

EMT Couplings

Compression Type/Raintight



- Rain and Concrete Tight 1/2" to 2"
- For use in wet locations to ground and secure EMT raceway boxes and enclosures together
- Coupling utilizes two sealing rings to prevent water seepage
- Screw machined steel, zinc plated

Cat. #	Size	Unit Ctn	Std Pkg	WT/100
EC760USRT	1/2"	50	250	8
EC761USRT	3/4"	25	125	13
EC762USRT	1"	20	100	19
EC763USRT	1-1/4"	5	50	30
EC764USRT	1-1/2"	5	25	46
EC765USRT	2"	5	25	60



Dimensional Table

Cat. #	A Length	B Diameter
EC760USRT	1.688	1.250
EC761USRT	2.000	1.563
EC762USRT	2.125	1.813
EC763USRT	3.063	2.188
EC764USRT	3.1a25	2.438
EC765USRT	3.375	2.938

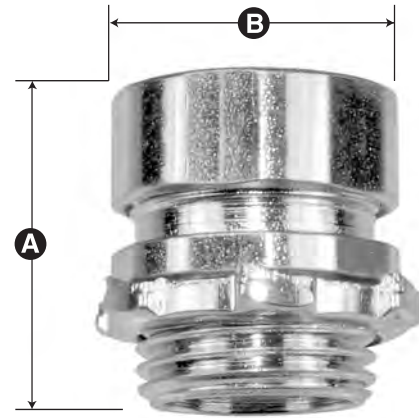
EMT Connectors

Compression Type

- For connecting & bonding electrical metallic tubing to a box or enclosure
- Concrete Tight 2-1/2" to 4"
- Steel, zinc plated



Cat. #	Size	Unit Ctn	Std Pkg	WT/100
EC750	1/2"	25	125	12
EC751	3/4"	25	125	18
EC752	1"	10	50	26
EC753	1-1/4"	5	25	44
EC754	1-1/2"	5	25	56
EC755	2"	-	15	73
EC756	2-1/2"	-	12	161
EC757	3"	-	6	218
EC758	3-1/2"	-	4	333
EC759	4"	-	4	337

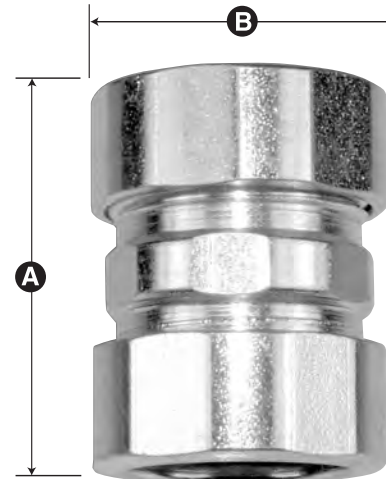


Dimensional Table

Cat. #	A Length	B Max.Diameter
EC750/B	1.800	1.093
EC751/B	2.030	1.275
EC752/B	2.222	1.550
EC753/B	2.800	2.222
EC754/B	3.130	2.300
EC755/B	3.480	2.578
EC756/B	3.850	3.444
EC757/B	4.370	4.066
EC758/B	4.580	4.800
EC759/B	4.670	5.250

With Insulated Throat

Cat. #	Size	Unit Ctn	Std Pkg	WT/100
EC750B	1/2"	25	125	13
EC751B	3/4"	25	125	19
EC752B	1"	10	50	26
EC753B	1-1/4"	5	25	45
EC754B	1-1/2"	5	25	56
EC755B	2"	-	15	75
EC756B	2-1/2"	-	12	162
EC757B	3"	-	6	220
EC758B	3-1/2"	-	4	333
EC759B	4"	-	4	339



Dimensional Table

Cat. #	A Length	B Max.Diameter
EC760	1.875	1.015
EC761	2.100	1.275
EC762	2.550	1.550
EC763	2.936	1.895
EC764	3.100	2.130
EC765	3.280	2.578
EC766	4.180	3.444
EC767	4.880	4.066
EC768	5.000	4.800
EC769	5.490	5.250

EMT Couplings

Compression Type

- For coupling two ends of electrical metallic tubing
- Concrete tight 2-1/2" to 4"
- Steel, zinc plated



Cat. #	Size	Unit Ctn	Std Pkg	WT/100
EC760	1/2"	25	125	12
EC761	3/4"	25	125	22
EC762	1"	10	50	32
EC763	1-1/4"	5	25	47
EC764	1-1/2"	4	20	61
EC765	2"	-	15	77
EC766	2-1/2"	-	6	187
EC767	3"	-	6	237
EC768	3-1/2"	-	5	334
EC769	4"	-	3	407

EMT Connectors

Set Screw Type

- For connecting & bonding electrical metallic tubing to a box or enclosure
- Steel, zinc plated
- UL rated concrete tight when taped



Cat. #	Size	Unit Ctn	Std Pkg	WT/100
SS50US	1/2"	50	250	10
SS51US	3/4"	25	125	14
SS52US	1"	20	100	23
SS53US	1-1/4"	5	25	40
SS54US	1-1/2"	5	25	52
SS55US	2"	-	20	80
SS56US	2-1/2"	-	6	142
SS57US	3"	-	6	183
SS58US	3-1/2"	-	3	250
SS59US	4"	-	3	283



Dimensional Table

Cat. #	Overall Length		
	A	B	C
SS50/BUS	1.130	1.125	.375
SS51/BUS	1.250	1.380	.375
SS52/BUS	1.500	1.630	.500
SS53/BUS	2.750	2.000	.500
SS54/BUS	2.880	2.250	.500
SS55/BUS	2.000	2.750	.625
SS56/BUS	3.940	3.220	1.250
SS57/BUS	3.060	4.840	1.375
SS58/BUS	3.380	4.360	1.375
SS59/BUS	3.560	4.860	1.500

With Insulated Throat

Cat. #	Size	Unit Ctn	Std Pkg	WT/100
SS50BUS	1/2"	50	250	10
SS51BUS	3/4"	25	125	14
SS52BUS	1"	20	100	23
SS53BUS	1-1/4"	5	25	40
SS54BUS	1-1/2"	5	25	52
SS55BUS	2"	-	20	80
SS56BUS	2-1/2"	-	6	142
SS57BUS	3"	-	6	183
SS58BUS	3-1/2"	-	3	250
SS59BUS	4"	-	3	283

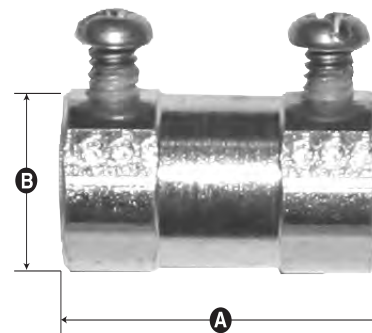
EMT Couplings

Set Screw Type

- For coupling two ends of electrical metallic tubing
- Steel, zinc plated
- UL rated Concrete Tight when Taped



Cat. #	Size	Unit Ctn	Std Pkg	WT/100
SS60US	1/2"	50	250	10
SS61US	3/4"	25	125	15
SS62US	1"	10	50	24
SS63US	1-1/4"	5	25	44
SS64US	1-1/2"	5	25	68
SS65US	2"	-	20	90
SS66US	2-1/2"	-	5	158
SS67US	3"	-	3	217
SS68US	3-1/2"	-	2	250
SS69US	4"	-	2	283



Dimensional Table

Cat. #	Overall Length	
	A	B
SS60US	1.75	.937
SS61US	2.13	1.125
SS62US	2.50	1.375
SS63US	3.25	1.687
SS64US	3.75	1.968
SS65US	4.0	2.406
SS66US	4.25	3.220
SS67US	4.50	3.840
SS68US	4.75	4.360
SS69US	5.00	4.860

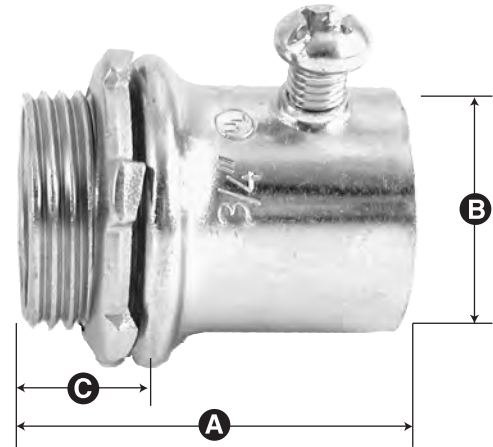
EMT Connectors

Set Screw Type

- For connecting & bonding electrical metallic tubing to a box or enclosure
- Steel, zinc plated
- UL rated concrete tight when taped



Cat. #	Size	Unit Ctn	Std Pkg	WT/100
SS50	1/2"	50	250	9
SS51	3/4"	25	125	12
SS52	1"	20	100	18
SS53	1-1/4"	5	25	33
SS54	1-1/2"	5	25	42
SS55	2"	-	20	56
SS56	2-1/2"	-	12	118
SS57	3"	-	12	154
SS58	3-1/2"	-	6	206
SS59	4"	-	6	263



Dimensional Table

Cat. #	A Overall Length	B Diameter	C Length of Thread
SS50/B	1.469	1.063	.406
SS51/B	1.531	1.313	.438
SS52/B	1.625	1.563	.469
SS53/B	2.250	1.938	.563
SS54/B	2.500	2.250	.563
SS55/B	2.750	2.750	.563
SS56/B	3.313	3.563	.750
SS57/B	3.813	4.188	.938
SS58/B	3.938	4.688	.938
SS59/B	4.188	5.188	1.000

With Insulated Throat

Cat. #	Size	Unit Ctn	Std Pkg	WT/100
SS50B	1/2"	50	250	10
SS51B	3/4"	25	125	13
SS52B	1"	20	100	18
SS53B	1-1/4"	5	25	33
SS54B	1-1/2"	5	25	42
SS55B	2"	-	20	56
SS56B	2-1/2"	-	12	118
SS57B	3"	-	12	165
SS58B	3-1/2"	-	6	228
SS59B	4"	-	6	267

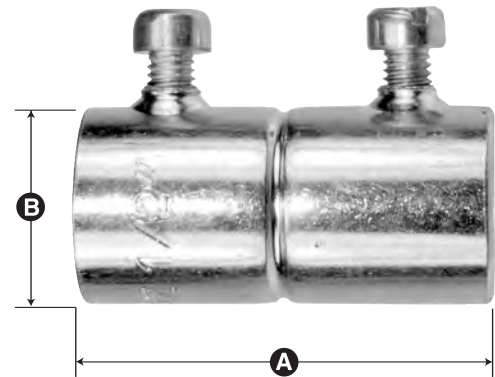
EMT Couplings

Set Screw Type

- For coupling two ends of electrical metallic tubing
- Steel, zinc plated
- UL rated Concrete Tight when Taped



Cat. #	Size	Unit Ctn	Std Pkg	WT/100
SS60	1/2"	50	250	9
SS61	3/4"	25	125	13
SS62	1"	10	50	21
SS63	1-1/4"	5	25	38
SS64	1-1/2"	5	25	47
SS65	2"	-	20	60
SS66	2-1/2"	-	12	137
SS67	3"	-	12	172
SS68	3-1/2"	-	6	245
SS69	4"	-	6	297



Dimensional Table

Cat. #	A Length	B Diameter
SS60	1.75	.88
SS61	2.13	1.06
SS62	2.50	1.31
SS63	3.25	1.69
SS64	3.75	1.94
SS65	4.0	2.38
SS66	4.25	3.19
SS67	4.50	3.19
SS68	4.75	4.31
SS69	5.00	4.31

Conduit Hangers with Bolts

- To fasten and secure EMT or rigid conduit to threaded rod, insulator supports, or directly to mounting surface
- Furnished with nut and bolt to accelerate installation
- For use in wet or dry locations
- Bright Electro Zinc finish



Selection Table

Cat. #	Trade Size	Conduit Size Rigid	EMT	Unit / CTN	Std / Pkg	WT/100
CHB0	0	3/8"-1/2"	1/2"	50	250	7
CHB1	1	3/4"	3/4"	50	250	7
CHB2	2	1"	1"	25	125	8
CHB25	2-1/2	-	1-1/4"	20	100	11
CHB3	3	1-1/4"	1-1/2"	20	100	11
CHB4	4	1-1/2"	-	10	50	19
CHB5	5	2"	2"	10	50	22
CHB6	6	2-1/2"	2-1/2"	-	25	28
CHB7	7	3"	3"	-	20	31
CHB8	8	3-1/2"	3-1/2"	-	10	32
CHB9	9	4"	4"	-	10	37

* Made in America Product also available - add "US" Suffix to catalog number when ordering.



Since 1946

EMT Steel Straps

- To securely fasten and support EMT metal conduit to the mounting surface
- For use in wet or dry locations
- Bright electro zinc finish for corrosion protection

One-Hole EMT Type

Cat. #	Size	Unit Ctn	Std Pkg	WT/100
CSE501*	1/2"	100	1000	3
CSE751*	3/4"	100	500	4
CSE1001*	1"	50	250	6
CSE1251	1-1/4"	30	150	9
CSE1501	1-1/2"	25	125	13
CSE2001	2"	20	100	17
CSER2501	2-1/2"	-	20	42
CSER3001	3"	-	10	49
CSER3501	3-1/2"	-	10	71
CSER4001	4"	-	10	78



One-Hole BX Type

Cat. #	Size	Unit Ctn	Std Pkg	WT/100
CSBX381	12-2, 12-3, 10-2, 10-3	100	1000	1

Two-Hole EMT Type

Cat. #	Size	Unit Ctn	Std Pkg	WT/100
CSE502*	1/2"	100	1000	2
CSE752*	3/4"	100	500	3
CSE1002*	1"	50	250	3
CSE1252*	1-1/4"	30	150	6
CSE1502*	1-1/2"	25	125	8
CSE2002*	2"	15	75	14
CSER2502*	2-1/2"	-	20	17
CSER3002*	3"	-	10	23
CSER3502*	3-1/2"	-	10	26
CSER4002*	4"	-	10	33

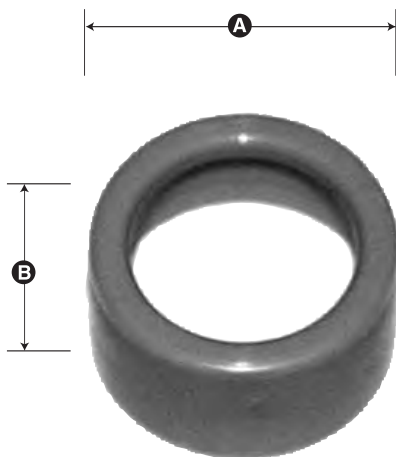


EMT Insulating Bushings

- Polyethylene
- temperature Rated at 90°
- Offers protection for cables or wiring from sharp edges of EMT
- For use with computer, telephone, security, cable television & power



Cat. #	Size	Unit Ctn	Std Pkg	WT/100
EIB50	1/2"	100	1000	1
EIB75	3/4"	100	500	1
EIB100	1"	50	250	1
EIB125	1-1/4"	40	200	1
EIB150	1-1/2"	40	200	2
EIB200	2"	-	50	2
EIB250	2-1/2"	-	25	4
EIB300	3"	-	25	6
EIB350	3-1/2"	-	20	7
EIB400	4"	-	15	11



Cat. #	A	B
EIB50	.558	.537
EIB75	.743	.525
EIB100	.945	.635
EIB125	1.240	.625
EIB150	1.440	.625
EIB200	1.870	.625
EIB250	2.240	1.230
EIB300	2.750	1.230
EIB350	3.340	1.110
EIB400	3.770	1.230



Since 1946