

Rigid-IMC Connectors Compression Type - (No Thread)

- Industrial specification grade, screw machined steel, zinc plated
- UL Listed Rain Tight and Concrete Tight 1/2" - 2"
- UL Listed Concrete Tight 2-1/2" - 4"

Cat. #	Size	Unit Ctn	Std Pkg	WT/100
NT2750	1/2"	25	250	13
NT2751	3/4"	20	100	20
NT2752	1"	5	50	36
NT2753	1-1/4"	5	25	48
NT2754	1-1/2"	5	25	70
NT2755 †	2"	5	25	100
NT2756 * †	2-1/2"	-	5	275
NT2757 *	3"	-	3	333
NT2758 * †	3-1/2"	-	3	475
NT2759 * †	4"	-	2	547
NT2770 *	5"	-	1	1100

With Insulated Throat

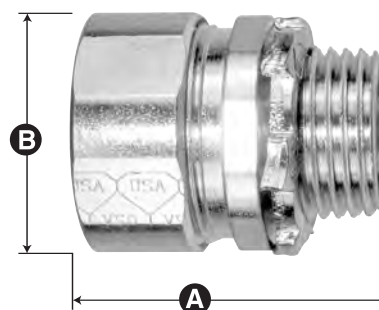
Cat. #	Size	Unit Ctn	Std Pkg	WT/100
NT2750B	1/2"	25	250	13
NT2751B	3/4"	20	100	20
NT2752B	1"	5	50	36
NT2753B	1-1/4"	5	25	48
NT2754B	1-1/2"	5	25	70
NT2755B †	2"	5	25	100
NT2756B * †	2-1/2"	-	5	275
NT2757B *	3"	-	3	333
NT2758B * †	3-1/2"	-	3	475
NT2759B * †	4"	-	2	547
NT2770B *	5"	-	1	1100

Rigid-IMC Couplings Compression Type - (No Thread)

- Industrial specification grade, screw machined steel, zinc plated
- UL Listed Rain Tight and Concrete Tight 1/2" - 2"
- UL Listed Concrete Tight 2-1/2" - 4"

Cat. #	Size	Unit Ctn	Std Pkg	WT/100
NT2760	1/2"	20	100	16
NT2761	3/4"	20	100	24
NT2762	1"	5	50	48
NT2763	1-1/4"	5	25	64
NT2764	1-1/2"	5	25	110
NT2765 †	2"	3	15	140
NT2766 * †	2-1/2"	-	5	401
NT2767 *	3"	-	3	558
NT2768 * †	3-1/2"	-	2	718
NT2769 * †	4"	-	2	819
NT2780 *	5"	-	1	1350

* Malleable Iron † UL Pending for IMC conduit



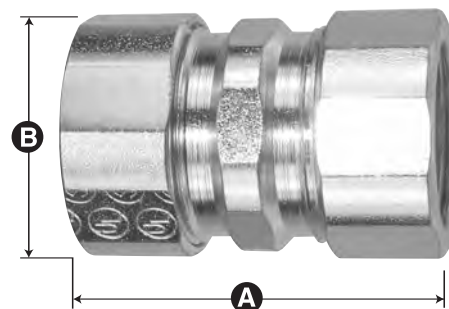
E93605



LR61799

Dimensional Table

Cat. #	A Length	B Diameter
NT2750/B	1.35	1.17
NT2751/B	1.48	1.43
NT2752/B	1.58	1.75
NT2753/B	1.86	2.15
NT2754/B	1.94	2.38
NT2755/B	2.49	3.38
NT2756/B	3.88	3.93
NT2757/B	4.00	4.66
NT2758/B	4.31	5.20
NT2759/B	4.50	5.75
NT2770/B	5.00	7.00



E93605



LR61799

Dimensional Table

Cat. #	A Length	B Diameter
NT2760	1.74	1.17
NT2761	1.82	1.43
NT2762	1.95	1.75
NT2763	2.65	2.15
NT2764	2.70	2.37
NT2765	2.93	3.38
NT2766	5.38	3.93
NT2767	5.63	4.66
NT2768	5.69	5.20
NT2769	5.88	5.75
NT2780	7.00	6.38

Rigid - IMC Conduit Compression and Set Screw Connectors and Couplings

Rigid Compression and Set Screw Connectors and Couplings connect and bond threadless rigid or intermediate metal conduit to a box, enclosure, or to couple ends of threadless conduit.

The Industrial Hallmark

- Heavy wall industrial grade Rigid Compression Connectors and Couplings carry UL Rain Tight and Concrete Tight listings through the 2" trade size.
- 2-1/2" to 4" carry a concrete tight rating.
- Connectors with insulated throats meet and exceed all code requirements. Insulators with shield conductors prevent thread damage, and reduce the wire pulling force required.
- Set screw fittings utilize captive screws that will not loosen with vibration.
- Rigid Set Screw Connectors and Couplings are all concrete tight when taped.

Versatility

- The true value and significance of these fittings lies in their versatility. Field threading is assured in hostile and hazardous locations.
- Rigid Compression and Set Screw fittings are ideal for use in new construction as well as maintenance and repair.

Breadth of Line

- Reducing Bushings - UL listed for use in Hazardous Locations. Precision - machined steel assures mechanical protection of the raceway. Available in either tapered or straight threads, steel or aluminum.
- Chase Nipples - Precision machined, designed to couple boxes back-to-back.
- Three piece (Erickson) Couplings - Designed to bond ends of threaded conduit when neither length of conduit can be rotated. Certified Concrete tight; 1/2" and 3/4" trade size are rated Liquid Tight.
- Combination Couplings - Unite EMT to Rigid/IMC. 1/2" and 3/4" trade sizes are rain and concrete tight.
- Conduit Locknuts - UL and CSA listed. Superior steel construction and sparkling zinc finish.
- Sealing Locknuts - Provide a positive rain tight seal against water and other liquids. Locknuts can be used with sheet or cast enclosures, or in place of a threaded enclosure connector.
- Grounding Locknuts - To insure a positive bond and for installations where severe vibration is encountered.
- Conduit Hangers - To fasten and secure EMT or rigid conduit to a threaded rod or mounting surface.
- Rigid Steel Straps - To fasten and support rigid or intermediate conduit to a mounting surface.
- Reducing Washers - To reduce knockout size on sheet metal boxes or enclosures

Inside this section

Compression Connectors and Couplings	20
Set Screw Connectors and Couplings	21
Reducing Bushings	22 - 24
Three Piece Couplings	25
Chase Nipples, EMT to Rigid Couplings	26
Conduit Locknuts	27
Sealing & Grounding Locknuts	28
Conduit Hangers	29
Rigid Steel Straps	30
Reducing Washers	31
Plastic Insulating Bushings	32
Knockout Seals & Bushings	33 - 34



Since 1946

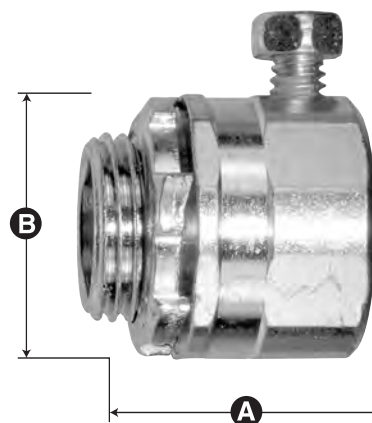
Rigid-IMC Connectors

Set Screw Type

- Industrial specification grade, screw machined steel, zinc plated
- No thread
- UL Listed Concrete Tight when taped



Cat. #	Size	Unit Ctn	Std Pkg	WT/100
SNT1750	1/2"	20	200	13
SNT1751	3/4"	20	100	17
SNT1752	1"	5	50	28
SNT1753	1-1/4"	5	25	43
SNT1754	1-1/2"	5	25	55
SNT1755	2"	5	25	70
SNT1756*	2-1/2"	-	6	151
SNT1757*	3"	-	6	192
SNT1758*	3-1/2"	-	3	261
SNT1759*	4"	-	3	295



Dimensional Table

Cat. #	A Length	B Diameter
SNT1750/B	1.13	1.13
SNT1751/B	1.25	1.38
SNT1752/B	1.50	1.63
SNT1753/B	1.75	2.00
SNT1754/B	1.88	2.25
SNT1755/B	2.00	2.75
SNT1756/B	2.94	3.22
SNT1757/B	3.06	3.84
SNT1758/B	3.38	4.36
SNT1759/B	3.56	4.86

With Insulated Throat

Cat. #	Size	Unit Ctn	Std Pkg	WT/100
SNT1750B	1/2"	20	200	13
SNT1751B	3/4"	20	100	17
SNT1752B	1"	5	50	28
SNT1753B	1-1/4"	5	25	43
SNT1754B	1-1/2"	5	25	55
SNT1755B	2"	5	25	70
SNT1756B*	2-1/2"	-	6	151
SNT1757B*	3"	-	6	192
SNT1758B*	3-1/2"	-	3	261
SNT1759B*	4"	-	3	295

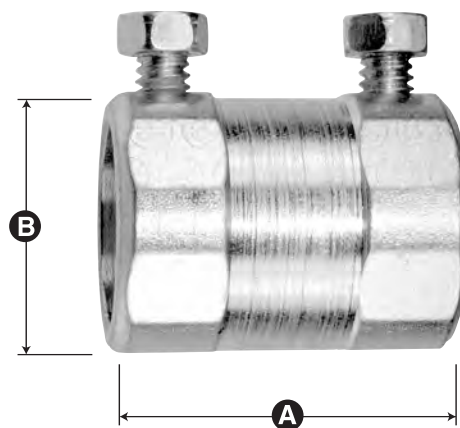
Rigid-IMC Couplings

Set Screw Type

- Industrial specification grade, screw machined steel, zinc plated
- No thread
- UL Listed Concrete Tight when taped



Cat. #	Size	Unit Ctn	Std Pkg	WT/100
SNT1760	1/2"	20	100	19
SNT1761	3/4"	20	100	24
SNT1762	1"	5	50	37
SNT1763	1-1/4"	5	25	65
SNT1764	1-1/2"	5	25	72
SNT1765	2"	3	15	111
SNT1766*	2-1/2"	-	5	166
SNT1767*	3"	-	3	225
SNT1768*	3-1/2"	-	2	260
SNT1769*	4"	-	2	295



Dimensional Table

Cat. #	A Length	B Diameter
SNT1760	1.50	1.13
SNT1761	1.50	1.38
SNT1762	1.88	1.63
SNT1763	2.18	2.00
SNT1764	2.63	2.25
SNT1765	2.75	2.75
SNT1766	3.76	3.22
SNT1767	3.81	3.84
SNT1768	4.63	4.36
SNT1769	4.93	4.86

* Malleable Iron

Reducing Bushings

- Industrial specification grade, screw machined steel, zinc plated
- (N.P.S.) Straight Thread
- For reducing the threaded opening in conduit bodies or any female threaded fitting

Steel, Zinc Plated

Cat. #	Size	Unit Ctn	Std Pkg	WT/100
RB5038	1/2" x 3/8"	100	1000	2
RB7550	3/4" x 1/2"	100	500	14
RB10050	1" x 1/2"	50	250	12
RB10075	1" x 3/4"	50	250	12
RB12550	1-1/4" x 1/2"	20	200	28
RB12575	1-1/4" x 3/4"	20	200	22
RB125100	1-1/4" x 1"	20	200	14
RB15050	1-1/2" x 1/2"	10	100	42
RB15075	1-1/2" x 3/4"	10	100	36
RB150100	1-1/2" x 1"	10	100	28
RB150125	1-1/2" x 1-1/4"	10	100	12
RB20050	2" x 1/2"	5	50	84
RB20075	2" x 3/4"	5	50	76
RB200100	2" x 1"	5	50	68
RB200125	2" x 1-1/4"	5	50	48
RB200150	2" x 1-1/2"	5	50	32



E93605



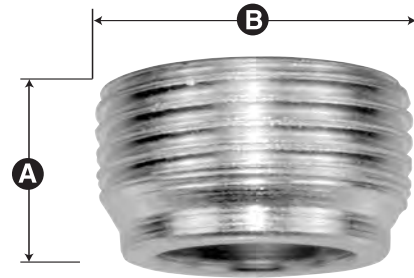
LR61799

Malleable Iron

Cat. #	Size	Unit Ctn	Std Pkg	WT/100
RB250100	2-1/2" x 1"	-	10	130
RB250125	2-1/2" x 1-1/4"	-	10	140
RB250150	2-1/2" x 1-1/2"	-	10	140
RB250200	2-1/2" x 2"	-	10	110
RB300125	3" x 1-1/4"	-	10	200
RB300150	3" x 1-1/2"	-	10	240
RB300200	3" x 2"	-	10	200
RB300250	3" x 2-1/2"	-	10	170
RB350150	3-1/2" x 1-1/2"	-	10	230
RB350200	3-1/2" x 2"	-	10	230
RB350250	3-1/2" x 2-1/2"	-	10	270
RB350300	3-1/2" x 3"	-	10	250
RB400200	4" x 2"	-	10	350
RB400250	4" x 2-1/2"	-	10	380
RB400300	4" x 3"	-	10	320
RB400350	4" x 3-1/2"	-	10	290

Dimensional Table

Cat. #	A Length	B Diameter
RB5038	.563	.750
RB7550	.650	.920
RB10050	.715	1.125
RB10075	.715	1.125
RB12550	.820	1.470
RB12575	.820	1.470
RB125100	.820	1.470
RB15050	.850	1.700
RB15075	.850	1.700
RB150100	.850	1.700
RB150125	.850	1.700
RB20050	.970	2.230
RB20075	.970	2.230
RB200100	.970	2.230
RB200125	.970	2.230
RB200150	.970	2.230



Dimensional Table

Cat. #	A Length	B Diameter
RB250100	1.563	2.750
RB250125	1.563	2.845
RB250150	1.433	2.900
RB250200	1.433	2.930
RB300125	1.680	3.445
RB300150	1.700	3.750
RB300200	1.635	3.250
RB300250	1.563	3.875
RB350150	1.750	3.900
RB350200	1.750	3.900
RB350250	1.625	4.180
RB350300	1.563	4.630
RB400200	2.070	4.750
RB400250	2.070	4.750
RB400300	2.125	4.750
RB400350	2.250	4.750

Reducing Bushings

- Industrial specification grade, screw machined steel, zinc plated
- (N.P.T.) Tapered thread
- UL approved for hazardous locations

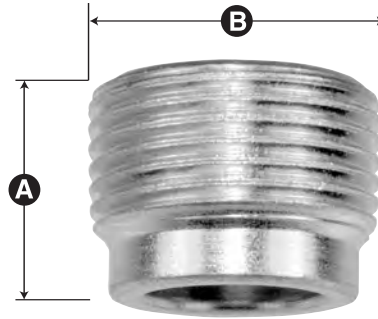
Steel

Cat. #	Size	Unit Ctn	Std Pkg	WT/100
RB21H	3/4" x 1/2"	50	500	6
RB31H	1" x 1/2"	50	250	14
RB32H	1" x 3/4"	50	250	8
RB41H	1-1/4" x 1/2"	20	200	36
RB42H	1-1/4" x 3/4"	20	200	28
RB43H	1-1/4" x 1"	20	200	18
RB51H	1-1/2" x 1/2"	10	100	54
RB52H	1-1/2" x 3/4"	10	100	46
RB53H	1-1/2" x 1"	10	100	36
RB54H	1-1/2" x 1-1/4"	10	100	16
RB61H	2" x 1/2"	5	50	184
RB62H	2" x 3/4"	5	50	168
RB63H	2" x 1"	5	50	144
RB64H	2" x 1-1/4"	5	50	104
RB65H	2" x 1-1/2"	5	50	60

Class I, Groups C and D; Class II, Groups E, F, and G

Reducing bushings, Series RB, Cat nos. RB followed by 2, 3, 4, 5, or 6, followed by

1, 2, 3, 4, or 5, followed by H. Conduit sizes 1/2" to 2" incl.



E138231

Dimensional Table

Cat. #	A Length	B Diameter
RB21H	.650	.920
RB31H	.715	1.125
RB32H	.715	1.125
RB41H	.820	1.470
RB42H	.820	1.470
RB43H	.820	1.470
RB51H	.850	1.700
RB52H	.850	1.700
RB53H	.850	1.700
RB54H	.850	1.700
RB61H	.970	2.230
RB62H	.970	2.230
RB63H	.970	2.230
RB64H	.970	2.230
RB65H	.970	2.230



Since 1946

Aluminum Reducing Bushings

Size Range 3/4x1/2" to 2x1-1/2"

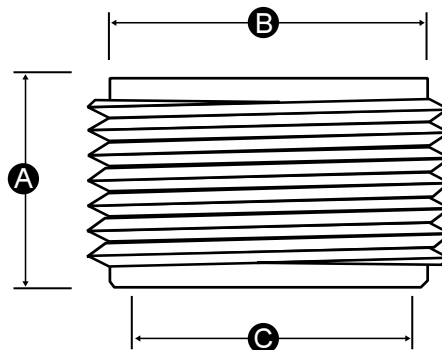
- Threaded for Rigid / IMC Conduit
- NPT tapered threads
- Smooth internal bushing provides wire protection
- Explosion proof, approved for hazardous locations
- Dust-ignition proof



UL rated suitable for hazardous locations
Class I, Div. 1 and 2, Groups A, B, C, D
Class I, Zone 1 and 2, Groups IIC, IIB, IIA
Class II, Div. 1 and 2; Groups E, F, G
Class III, Div. 1 and 2

Aluminum

Cat. #	Size	A OAL	B ø	C ø	Unit Qty	Std. Pkg	Wt./per 100
RBA21H	3/4" x 1/2"	.75"	.94"	0.60"	50	500	3
RBA31H	1" x 1/2"	.75"	1.15"	0.60"	50	250	6
RBA32H	1" x 3/4"	.75"	1.15"	0.80"	50	250	4
RBA41H	1 1/4" x 1/2"	.81"	1.52"	0.60"	20	200	12
RBA42H	1 1/4" x 3/4"	.81"	1.52"	0.80"	20	200	10
RBA43H	1 1/4" x 1"	.88"	1.52"	1.02"	20	200	7
RBA51H	1 1/2" x 1/2"	.88"	1.75"	0.60"	10	100	19
RBA52H	1 1/2" x 3/4"	.88"	1.75"	0.80"	10	100	16
RBA53H	1 1/2" x 1"	.88"	1.75"	1.02"	10	100	13
RBA54H	1 1/2" x 1 1/4"	.94"	1.75"	1.36"	10	100	7
RBA61H	2" x 1/2"	.88"	2.23"	0.60"	5	50	33
RBA62H	2" x 3/4"	.88"	2.23"	0.80"	5	50	31
RBA63H	2" x 1"	.88"	2.23"	1.02"	5	50	27
RBA64H	2" x 1 1/4"	.94"	2.23"	1.36"	5	50	22
RBA65H	2" x 1 1/2"	1.00"	2.23"	1.60"	5	50	17



Since 1946

Rigid Couplings

Three Piece Type

- Industrial specification grade, screw machined steel, zinc plated
- 1/2" & 3/4" Steel UL Rated Liquid Tight & Concrete Tight
- 1" - 4" UL Rated Concrete Tight



E93605



LR61799

Steel

Cat. #	Size	Unit Ctn	Std Pkg	WT/100
ER50	1/2"	20	200	15
ER75	3/4"	20	100	17
ER100	1"	5	50	36
ER125	1-1/4"	5	25	52
ER150	1-1/2"	5	25	68
ER200	2"	5	25	90

Dimensional Table

Cat. #	A Length	B Diameter
ER50	1.43	1.31
ER75	1.52	1.61
ER100	1.70	2.13
ER125	2.13	2.40
ER150	2.18	2.89
ER200	2.36	3.40

Malleable Iron

Cat. #	Size	Unit Ctn	Std Pkg	WT/100
ER50M	1/2"	20	200	36
ER75M	3/4"	20	100	32
ER100M	1"	5	50	55
ER125M	1-1/4"	5	25	119
ER150M	1-1/2"	5	25	140
ER200M	2"	5	25	199
ER250M	2-1/2"	-	5	361
ER300M	3"	-	5	454
ER350M	3-1/2"	-	4	637
ER400M	4"	-	2	811

Dimensional Table

Cat. #	A Length	B Diameter
ER50M	1.43	1.31
ER75M	1.52	1.61
ER100M	1.70	2.13
ER125M	2.13	2.40
ER150M	2.18	2.89
ER200M	2.36	3.40
ER250M	2.52	4.03
ER300M	2.58	4.62
ER350M	2.65	5.35
ER400M	3.42	5.87



Since 1946

Chase Nipples

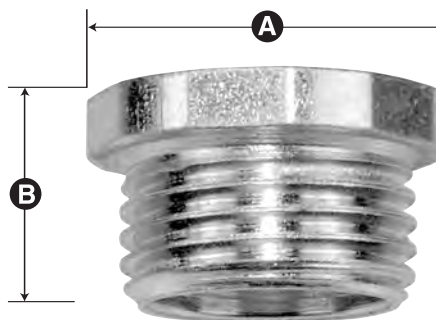
- Industrial specification grade, screw machined steel, zinc plated
- Rigid conduit thread

Steel

Cat. #	Size	Unit Ctn	Std Pkg	WT/100
CN50	1/2"	100	1000	3
CN75	3/4"	50	500	4
CN100	1"	20	200	9

Dimensional Table

Cat. #	A		B	
	Diameter	Length	Diameter	Length
CN50	1.13	.41		
CN75	1.38	.41		
CN100	1.69	.66		



E93605

Combination Couplings

EMT(Compression) to Rigid (Threaded)

- Rain and Concrete Tight

Steel

Cat. #	Size	Unit Ctn	Std Pkg	WT/100
ETR50	1/2"	25	250	19
ETR75	3/4"	10	100	27

Dimensional Table

Cat. #	A		B		C
	Nut Diameter	Body Diameter	Nut Diameter	Body Length	
ETR50	.94	.73		1.15	
ETR75	1.17	.93		1.25	



Since 1946

Conduit Locknuts

(UL & CSA listed)

- Industrial specification grade steel
- Heavier steel construction
- Electro zinc plated for corrosion protection
- Fastens threaded conduit to unthreaded opening in a box or enclosure
- Superior clean threads for tightening without distortion
- Rugged tangs for extensive reach and ensured bonding

Cat. #	Size	Unit Ctn	Std Pkg	WT/100
LN25	1/4"	200	2000	1
LN38	3/8"	200	2000	1
LN50	1/2"	200	2000	1
LN75	3/4"	100	1000	2
LN100	1"	50	500	4
LN125	1-1/4"	50	500	7
LN150	1-1/2"	25	250	8
LN200	2"	25	250	9

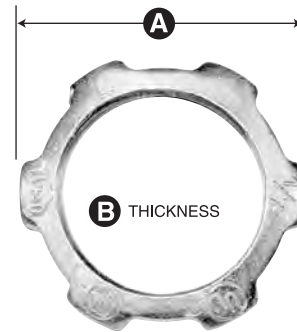
* 2 1/2" to 6" UL Listed Locknuts available upon request.

Conduit Locknuts

(Non-UL)

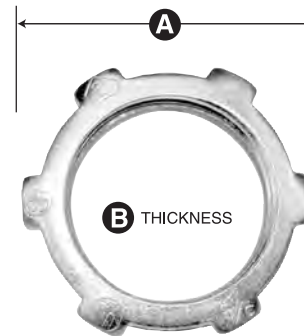
- Industrial specification grade steel
- Regular fitting Locknut
- Zinc plated
- Fastens threaded conduit to unthreaded opening in a box or enclosure

Cat. #	Size	Unit Ctn	Std Pkg	WT/100
LN50C	1/2"	200	2000	1
LN75C	3/4"	100	1000	2
LN100C	1"	50	500	3
LN125C	1-1/4"	50	500	4
LN150C	1-1/2"	25	250	6
LN200C	2"	25	250	8
LN250	2-1/2"	-	30	17
LN300	3"	-	25	24
LN350	3-1/2"	-	25	36
LN400	4"	-	25	48
LN500	5"	-	10	110
LN600	6"	-	10	140



Dimensional Table

Cat. #	A Diameter	B Thickness
LN25	.750	.125
LN38	.938	.125
LN50	1.140	.125
LN75	1.420	.140
LN100	1.770	.170
LN125	2.281	.170
LN150	2.598	.170
LN200	3.175	.187



Dimensional Table

Cat. #	A Diameter	B Thickness
LN50	1.152	.100
LN75	1.450	.115
LN100	1.750	.140
LN125	2.100	.140
LN150	2.400	.140
LN200	2.950	.140
LN250	3.550	.185
LN300	4.200	.185
LN350	4.750	.185
LN400	5.350	.185
LN500	6.674	.400
LN600	7.937	.400

Sealing Locknuts

- Zinc plated with PVC Molded Gasket

Steel

Cat. #	Size	Unit Ctn	Std Pkg	WT/100
SL1*	1/2"	100	1000	2
SL2*	3/4"	100	1000	3
SL3*	1"	50	500	2
SL4*	1-1/4"	25	250	8
SL5*	1-1/2"	25	250	8
SL6*	2"	10	100	12
SL7	2-1/2"	-	25	20
SL8	3"	-	25	20
SL9	3-1/2"	-	10	24
SL10	4"	-	10	24
SL11	5"	-	5	95
SL12	6"	-	5	125

* UL & CSA Listed



E93605



LR61799



Dimensional Table

Cat. #	A Diameter	B Thickness
SL1	1.12	.26
SL2	1.37	.27
SL3	1.75	.28
SL4	2.06	.32
SL5	2.37	.32
SL6	2.87	.32
SL7	3.43	.32
SL8	4.12	.32
SL9	4.62	.32
SL10	5.18	.32

Grounding Locknuts

- Threaded for Rigid/IMC conduit
- Used to insure positive bonding and fastening to a box or enclosure
- Required for installations where severe vibration is encountered
- Solid steel construction
- Zinc plated for corrosion protection



Cat. #	Size	Unit Ctn	Std Pkg	WT/100
GRL50	1/2"	100	1000	3
GRL75	3/4"	100	1000	3
GRL100	1"	50	500	5
GRL125	1-1/4"	50	250	6
GRL150	1-1/2"	25	250	9
GRL200	2"	20	200	14
GRL250	2-1/2"	-	25	16
GRL300	3"	-	20	28
GRL350	3-1/2"	-	10	36
GRL400	4"	-	10	40



Dimensional Table

Cat. #	A Diameter	B Thickness
GRL50	1.340	.170
GRL75	1.575	.170
GRL100	1.890	.170
GRL125	2.300	.170
GRL150	2.600	.170
GRL200	3.100	.187
GRL250	3.562	.375
GRL300	4.250	.375
GRL350	4.803	.375
GRL400	5.402	.375

Conduit Hangers with Bolts

- To fasten and secure EMT or rigid conduit to threaded rod, insulator supports, or directly to mounting surface
- Furnished with nut and bolt to accelerate installation
- For use in wet or dry locations
- Bright Electro Zinc Finish



Selection Table

Cat. #	Trade Size	Conduit Size		Unit / CTN	Std / Pkg	WT/100
		Rigid	EMT			
CHBO	0	3/8" - 1/2"	1/2"	50	250	7
CHB1	1	3/4"	3/4"	50	250	7
CHB2	2	1"	1"	25	125	8
CHB25	2-1/2	-	1-1/4"	20	100	11
CHB3	3	1-1/4"	1-1/2"	20	100	11
CHB4	4	1-1/2"	-	10	50	19
CHB5	5	2"	2"	10	50	22
CHB6	6	2-1/2"	2-1/2"	-	25	28
CHB7	7	3"	3"	-	20	31
CHB8	8	3-1/2"	3-1/2"	-	10	32
CHB9	9	4"	4"	-	10	37

* Made in America Product also available - add "US" Suffix to catalog number when ordering.



Since 1946

Rigid Steel Straps

- To securely fasten and support Rigid or Intermediate metal conduit to the mounting surface
- For use in wet or dry locations
- Bright electro zinc finish for corrosion protection

One-Hole Rigid Type

Cat. #	Size	Unit Ctn	Std Pkg	WT/100
CSR251	1/4"	100	1000	2
CSR371	3/8"	100	1000	3
CSR501	1/2"	50	500	4
CSR751	3/4"	50	250	5
CSR1001	1"	50	250	8
CSR1251	1-1/4"	25	125	11
CSR1501	1-1/2"	20	100	17
CSR2001	2"	10	50	22
CSER2501	2-1/2"	-	20	42
CSER3001	3"	-	10	49
CSER3501	3-1/2"	-	10	71
CSER4001	4"	-	10	78



One-Hole BX Type

Cat. #	Size	Unit Ctn	Std Pkg	WT/100
CSBX381	12-2, 12-3, 10-2, 10-3	100	1000	1

Two-Hole Rigid Type

Cat. #	Size	Unit Ctn	Std Pkg	WT/100
CSR502*	1/2"	50	500	2
CSR752*	3/4"	50	250	3
CSR1002*	1"	50	250	5
CSR1252*	1-1/4"	25	125	7
CSR1502*	1-1/2"	20	100	12
CSR2002*	2"	10	50	15
CSER2502*	2-1/2"	-	20	17
CSER3002*	3"	-	10	23
CSER3502*	3-1/2"	-	10	26
CSER4002*	4"	-	10	33



Reducing Washers

- For use when a raceway is smaller in trade size than the trade size of the knockout it is designed to enter
- To be used in pairs inside and outside of the box or enclosure
- Solid steel construction for installation integrity
- Bright electro zinc finish for corrosion protection

Cat. #	Size	Unit Ctn	Std Pkg	WT/100
RW7550	3/4" x 1/2"	200	2000	1
RW10050	1" x 1/2"	100	1000	2
RW10075	1" x 3/4"	100	1000	1
RW12550	1-1/4" x 1/2"	100	1000	3
RW12575	1-1/4" x 3/4"	100	1000	2
RW125100	1-1/4" x 1"	100	1000	2
RW15050	1-1/2" x 1/2"	50	500	5
RW15075	1-1/2" x 3/4"	50	500	5
RW150100	1-1/2" x 1"	50	500	4
RW150125	1-1/2" x 1-1/4"	50	500	3
RW20050	2" x 1/2"	50	500	8
RW20075	2" x 3/4"	50	500	8
RW200100	2" x 1"	50	500	7
RW200125	2" x 1-1/4"	50	500	6
RW200150	2" x 1-1/2"	50	500	6

Cat. #	Size	Unit Ctn	Std Pkg	WT/100
RW25050	2-1/2" x 1/2"	25	250	11
RW25075	2-1/2" x 3/4"	25	250	11
RW250100	2-1/2" x 1"	25	250	10
RW250125	2-1/2" x 1-1/4"	25	250	9
RW250150	2-1/2" x 1-1/2"	25	250	8
RW250200	2-1/2" x 2"	25	250	7
RW30050	3" x 1/2"	25	125	21
RW30075	3" x 3/4"	25	125	21
RW300100	3" x 1"	25	125	20
RW300125	3" x 1-1/4"	25	125	19
RW300150	3" x 1-1/2"	25	125	18
RW300200	3" x 2"	25	125	16
RW300250	3" x 2-1/2"	25	125	13



Cat. #	Size	Unit Ctn	Std Pkg	WT/100
RW35050	3-1/2" x 1/2"	10	50	35
RW35075	3-1/2" x 3/4"	10	50	35
RW350100	3-1/2" x 1"	10	50	34
RW350125	3-1/2" x 1-1/4"	10	50	32
RW350150	3-1/2" x 1-1/2"	10	50	31
RW350200	3-1/2" x 2"	10	50	28
RW350250	3-1/2" x 2-1/2"	10	50	24
RW350300	3-1/2" x 3"	10	50	18
RW40050	4" x 1/2"	10	50	43
RW40075	4" x 3/4"	10	50	42
RW400100	4" x 1"	10	50	41
RW400125	4" x 1-1/4"	10	50	40
RW400150	4" x 1-1/2"	10	50	38
RW400200	4" x 2"	10	50	35
RW400250	4" x 2-1/2"	10	50	31
RW400300	4" x 3"	10	50	25
RW400350	4" x 3-1/2"	10	50	20

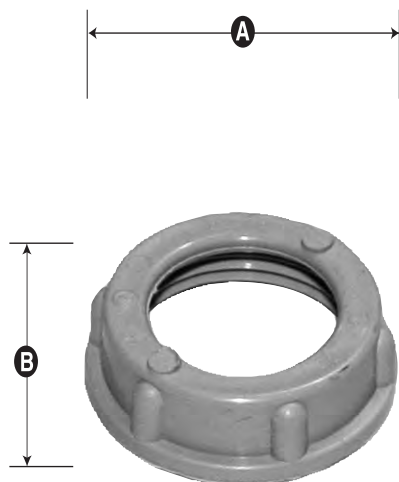


Since 1946

Plastic Insulating Bushings

- Polypropylene - Impact Resistant
- Temperature Rated at 105°
- Flame Retardant
- Threaded and used with locknut to terminate rigid or IMC conduit to box
- Smooth rounded surface prevents damage to wire insulation at raceway entrance

Cat. #	Size	Unit Ctn	Std Pkg	WT/100
PIB50	1/2"	100	1000	1
PIB75	3/4"	100	500	2
PIB100	1"	50	250	2
PIB125	1-1/4"	-	100	2
PIB150	1-1/2"	-	100	2
PIB200	2"	-	50	3
PIB250	2-1/2"	-	25	4
PIB300	3"	-	25	5
PIB350	3-1/2"	-	25	7
PIB400	4"	-	20	8
PIB500	5"	-	5	10
PIB600	6"	-	5	11



Cat. #	A	B
PIB50	1.05	.36
PIB75	1.29	.40
PIB100	1.63	.49
PIB125	1.93	.48
PIB150	2.18	.48
PIB200	2.64	.54
PIB250	3.25	.63
PIB300	3.90	.68
PIB350	4.41	.68
PIB400	4.93	.68
PIB500	5.98	.77
PIB600	7.06	.77



Since 1946

Metal Knockout Seals Industrial Grade

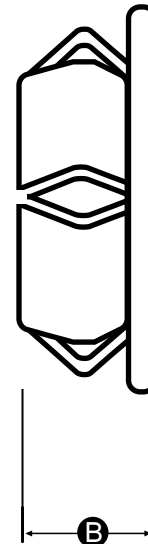
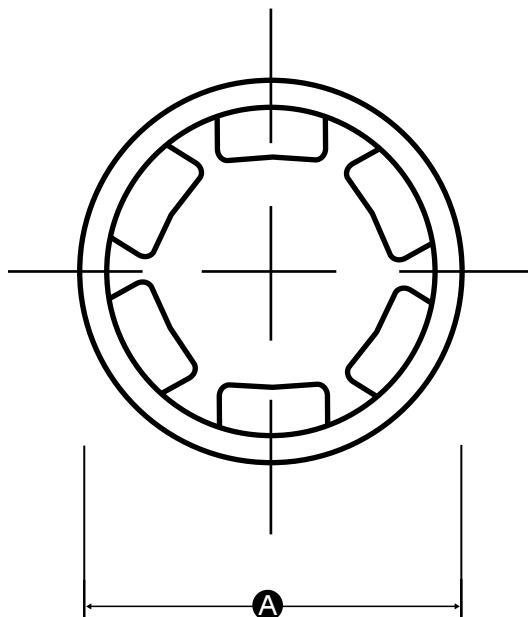
Size Range 1/2" to 2"

- Provides a safe and secure closure to unused openings in boxes, pipe, enclosures and panel boards.
- One piece construction with locking fingers "snap" into holes with fingertip pressure.
- Bright Steel Zinc Plated



Steel Zinc Plated

Cat. #	Size	A OAL	B Ø	Unit Qty	Std. Pkg	Wt./per 100
KOS50	1/2"	1.09"	0.39"	100	1000	2
KOS75	3/4"	1.23"	0.31"	100	1000	2
KOS100	1"	1.48"	0.33"	50	500	3
KOS125	1 1/4"	1.81"	0.36"	50	500	3
KOS150	1 1/2"	2.22"	0.33"	50	250	4
KOS200	2"	2.68"	0.31"	25	125	6



Since 1946

Nylon Knockout Insulated Bushings

Size Range 1/2" to 2 1/2"

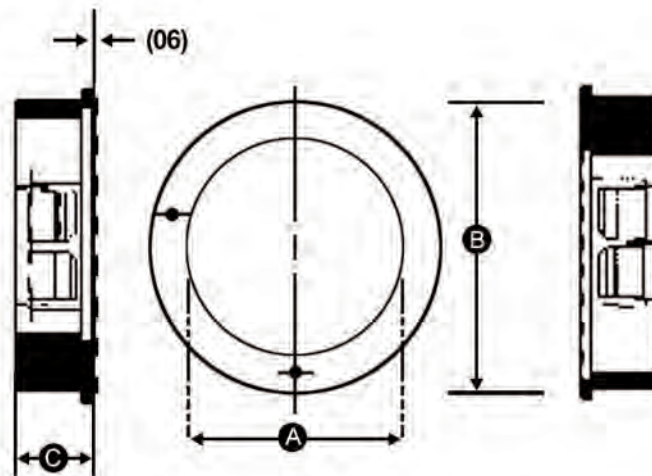
- Converts pipe and box rough edge holes to smooth neat insulated holes.
- Insulates and mechanically protects wires and cables.
- One piece construction with locking fingers "snap" into holes with fingertip pressure.
- Material: Type 6/6 Nylon Dupont Zytel® 101
- Rated at 105° Flammability: UL94V-2
- Finish: As Molded
- Color: Black

Note: Zytel is a registered Trademark of The Dupont Company.



Nylon Knockout Insulated Bushings

Cat. #	Size	A ID ø	B Head ø	C Height	Unit Qty	Std. Pkg	Wt./per 100
NKB50	1/2"	.750"	.953"	.406"	100	1000	1
NKB75	3/4"	.812"	1.218"	.406"	100	500	1
NKB100	1"	1.00"	1.468"	.463"	50	500	1
NKB125	1 1/4"	1.38"	1.875"	.463"	50	250	1
NKB150	1 1/2"	1.64"	2.125"	.463"	25	125	2
NKB200	2"	1.96"	2.660"	.700"	20	100	3
NKB250	2 1/2"	2.50"	3.200"	.700"	10	50	4



Since 1946