

Flexible Cord

Strain Relief Cord Connectors provide a liquid tight and strain relief termination for flexible type neoprene, vinyl, or PVC control cord and cable, and are now offered in steel, aluminum, and nylon. Designed for wet or dry locations, they seal electrical connections against dust, oil, water or other moisture-containing elements, and function to prevent cable pullout. Fittings are appropriate in manufacturing environments including chemical, waste treatment, food processing, and high tech machinery plants.

Inside this section

The SPECTRUM® System of High Quality, Colored Cord Grips	3-7
Strain Relief Cord Connectors	8-16
SPECTRUM® Bushings	17
Cord Grip Connectors with Multiple Hole Bushings	18



Our Signature Hallmark Product

Spectrum® Cord Grips are identified by the color-coded grommet and sealing washer and inclusion of the conduit locknut. Color-coded grommets indicate min-max cable diameter range. Easy-to-use pocket size color-coded sizing charts are included with each carton.

Spectrum® Grips are available in steel and aluminum and in straight, 45°, and 90° entrance configurations to meet the requirements of rugged service on all types of equipment and in all non-hazardous areas. Spectrum products are fabricated from the highest quality components.

The Pattern

Our hexagon pattern compression nut enhances the flexibility of the fitting for easier and consistent torque. Bodies are screw machined with a striking zinc finish.

Our high temperature rated (105°) grommet is driven into the body and around the cable to ensure a liquid tight seal.

Options

Neoprene Bushings can be purchased for replacement by specific color. The sealing washer will diminish friction for ease in compression. The heavy duty UL and CSA locknut completes the liquid tight application.

The standard Strain Relief Cord Connectors are provided with colored grommets for identification and easy cord diameter selection.

Custom connectors requiring specific cable ranges or grommet color can be fabricated to specifications.

Special Cord Grips with Multiple Hole Bushings are also available upon request.



Since 1946

The SPECTRUM® System of High Quality Colored Cord Grips

- Color coded grommet and sealing washer indicating cable diameter ranges
- Provides a UL liquid tight and strain relief termination for flexible type, neoprene, vinyl, or PVC control cord and cable
- Pocket size color-coded sizing chart included
- Includes UL & CSA listed conduit locknut



UL rated suitable for hazardous locations
 Class I, Div. 2; Class II, Div. 1 and 2;
 Class III, Div. 1 and 2; NEC 501-4(b), 505-4 (a), 503-3(a)



Straight Connectors

Cat. #	Color	Size	Cable Ranges		Unit Ctn	Std Pkg	WT/ 100
			Min.	Max.			
CG1	Red	1/2"	.150	.250	25	250	12
CG2	White	1/2"	.250	.350	25	250	12
CG3	Blue	1/2"	.350	.450	25	250	12
CG4	Green	1/2"	.450	.560	25	250	12
CG5	Brown	1/2"	.560	.650	25	250	12
CG6	Red	3/4"	.150	.250	10	100	16
CG7	White	3/4"	.250	.350	10	100	16
CG8	Blue	3/4"	.350	.450	10	100	16
CG9	Green	3/4"	.450	.560	10	100	16
CG10	Brown	3/4"	.560	.650	10	100	16
CG11	Yellow	3/4"	.650	.750	10	100	19
CG12	Purple	3/4"	.750	.850	10	100	19
CG13	Green	1"	.450	.560	5	50	28
CG14	Brown	1"	.560	.650	5	50	28
CG15	Yellow	1"	.650	.750	5	50	28
CG16	Purple	1"	.750	.850	5	50	28
CG17	Grey	1"	.850	.950	5	50	28
CG18	Black	1"	.950	1.050	5	50	28
CG19	Purple	1-1/4"	.750	.850	5	25	48
CG20	Grey	1-1/4"	.850	.950	5	25	48
CG21	Black	1-1/4"	.950	1.050	5	25	48
CG22	Orange	1-1/4"	1.050	1.150	5	25	48
CG23	Red	1-1/4"	1.150	1.250	5	25	48
CG24	White	1-1/4"	1.250	1.375	5	25	48
CG25	Black	1-1/2"	.950	1.050	2	20	90
CG26	Orange	1-1/2"	1.050	1.150	2	20	90
CG27	Red	1-1/2"	1.150	1.250	2	20	90
CG28	White	1-1/2"	1.250	1.375	2	20	90

The SPECTRUM® System of High Quality Colored Cord Grips

- Color coded grommet and sealing washer indicating cable diameter ranges
- Provides a UL liquid tight and strain relief termination for flexible type, neoprene, vinyl, or PVC control cord and cable
- Pocket size color-coded sizing chart included
- Includes UL & CSA listed conduit locknut

UL rated suitable for hazardous locations
 Class I, Div. 2; Class II, Div. 1 and 2;
 Class III, Div. 1 and 2; NEC 501-4(b), 505-4 (a), 503-3(a)

90° Angle Connectors†

Cat. #	Color	Size	Cable Ranges		Unit Ctn	Std Pkg	WT/ 100
			Min.	Max.			
CG190	Red	1/2"	.150	.250	10	100	26
CG290	White	1/2"	.250	.350	10	100	26
CG390	Blue	1/2"	.350	.450	10	100	26
CG490	Green	1/2"	.450	.560	10	100	26
CG590	Brown	1/2"	.560	.650	10	100	26
CG690	Red	3/4"	.150	.250	5	50	48
CG790	White	3/4"	.250	.350	5	50	48
CG890	Blue	3/4"	.350	.450	5	50	48
CG990	Green	3/4"	.450	.560	5	50	48
CG1090	Brown	3/4"	.560	.650	5	50	48
CG1190	Yellow	3/4"	.650	.750	5	50	48
CG1290	Purple	3/4"	.750	.850	5	50	48
CG1390	Green	1"	.450	.560	5	25	68
CG1490	Brown	1"	.560	.650	5	25	68
CG1590	Yellow	1"	.650	.750	5	25	68
CG1690	Purple	1"	.750	.850	5	25	68
CG1790	Grey	1"	.850	.950	5	25	68
CG1890	Black	1"	.950	1.050	5	25	68



45° Angle Connectors†

Cat. #	Color	Size	Cable Ranges		Unit Ctn	Std Pkg	WT/ 100
			Min.	Max.			
CG145	Red	1/2"	.150	.250	10	100	26
CG245	White	1/2"	.250	.350	10	100	26
CG345	Blue	1/2"	.350	.450	10	100	26
CG445	Green	1/2"	.450	.560	10	100	26
CG545	Brown	1/2"	.560	.650	10	100	26
CG645	Red	3/4"	.150	.250	5	50	48
CG745	White	3/4"	.250	.350	5	50	48
CG845	Blue	3/4"	.350	.450	5	50	48
CG945	Green	3/4"	.450	.560	5	50	48
CG1045	Brown	3/4"	.560	.650	5	50	48
CG1145	Yellow	3/4"	.650	.750	5	50	48
CG1245	Purple	3/4"	.750	.850	5	50	48
CG1345	Green	1"	.450	.560	5	25	68
CG1445	Brown	1"	.560	.650	5	25	68
CG1545	Yellow	1"	.650	.750	5	25	68
CG1645	Purple	1"	.750	.850	5	25	68
CG1745	Grey	1"	.850	.950	5	25	68
CG1845	Black	1"	.950	1.050	5	25	68



† Consult factory for 90° & 45° dimensions

The ALUMINUM SPECTRUM® System of High Quality Colored Cord Grips

- Designed for more corrosive environments
- Resistant to moisture and most normal and hazardous atmospheric conditions
- Bright & polished appearance
- Color coded grommet and sealing washer indicating cable diameter ranges
- Provides a UL liquid tight and strain relief termination for flexible type, neoprene, vinyl, or PVC control cord and cable
- Pocket size color-coded sizing chart included
- Includes UL & CSA listed conduit locknut

UL rated suitable for hazardous locations
Class I, Div. 2; Class II, Div. 1 and 2;
Class III, Div. 1 and 2; NEC 501-4(b), 505-4 (a), 503-3(a)



Straight Connectors

Cat. #	Color	Size	Cable Ranges		Unit Ctn	Std Pkg	WT/ 100
			Min.	Max.			
CG1AL	Red	1/2"	.150	.250	25	250	6
CG2AL	White	1/2"	.250	.350	25	250	6
CG3AL	Blue	1/2"	.350	.450	25	250	6
CG4AL	Green	1/2"	.450	.560	25	250	6
CG5AL	Brown	1/2"	.560	.650	25	250	6
CG6AL	Red	3/4"	.150	.250	10	100	8
CG7AL	White	3/4"	.250	.350	10	100	8
CG8AL	Blue	3/4"	.350	.450	10	100	8
CG9AL	Green	3/4"	.450	.560	10	100	8
CG10AL	Brown	3/4"	.560	.650	10	100	8
CG11AL	Yellow	3/4"	.650	.750	10	100	10
CG12AL	Purple	3/4"	.750	.850	10	100	10

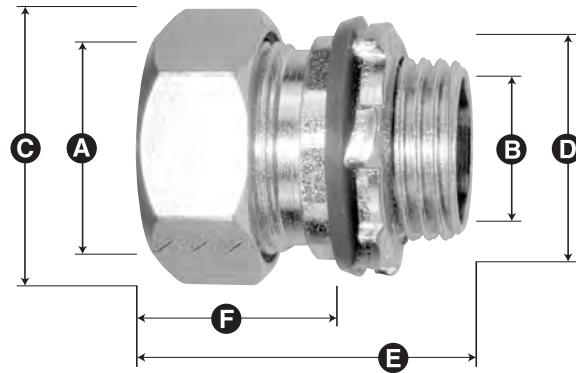


Since 1946

Selection Table for SPECTRUM® Cords

Cat. #	Size	Cable Ranges		For Types S, SO, ST & STO	For Types SJ, STO, SJT, SJTO, SVO, and Bus Drop
		Min.	Max.		
CG1	1/2"	.150	.250		18-2,3 SVO
CG2	1/2"	.250	.350		18-2,3 SJT, 18-2,3,4 SJO 16-2,3, SJO
CG3	1/2"	.350	.450	18-2,3,4 16-2,3,4	16-4 SJO 14-2,3,4 SJO 12-2 SJO 14-3 Bus Drop
CG4	1/2"	.450	.560	18-5,6,7 16-5,6 14-2,3	12-3 SJO 12-3 & 10-3 Bus Drop
CG5	1/2"	.560	.650	18-8,10 16-7,8 14-4 12-2,3 10-2	
CG6	3/4"	.150	.250		18-2,3 SVO
CG7	3/4"	.250	.350		18-2,3 SJT 18-2,3,4 SJO 16-2,3 SJO
CG8	3/4"	.350	.450	18-2,3,4 16-2,3,4	16-4 SJO 14-2,3,4 SJO 12-2 SJO 14-3 Bus Drop
CG9	3/4"	.450	.560	18-5,6,7 16-5,6 14-2,3	12-3 SJO 12-3 & 10-3 Bus Drop
CG10	3/4"	.560	.650	18-8,10 16-7,8 14-4 12-2,3 10-2	
CG11	3/4"	.650	.750	18-12,14 16-10,12 14-5,6,7 12-4,5 10-3,4 8-2	8-3 Bus Drop
CG12	3/4"	.750	.850	18-16,18,20 16-14,16,18 14-8 12-6,7,8 10-5 8-3,4 6-2	6-3 Bus Drop
CG13	1"	.450	.560	18-5,6,7 16-5,6 14-2,3	12-3 SJO 12-3 & 10-3 Bus Drop
CG14	1"	.560	.650	18-8,10 16-7,8 14-4 12-2,3 10-2	
CG15	1"	.650	.750	18-12,14 16-10,12 14-5,6,7 12-4,5 10-3,4 8-2	8-3 Bus Drop
CG16	1"	.750	.850	18-16,18,20 16-14,16,18 14-8 12-6,7,8 10-5 8-3,4 6-2	6-3 Bus Drop
CG17	1"	.850	.950	18-22,24,26 16-20,22,24 14-10,12 10-6,7,8 6-3,4	4-3 Bus Drop
CG18	1"	.950	1.050	18-30 16-26 14-14,16 12-10 4-3	
CG19	1-1/4"	.750	.850	18-16,18,20 16-14,16,18 14-8 12-6,7,8 10-5 8-3,4 6-2	6-3 Bus Drop
CG20	1-1/4"	.850	.950	18-22,24,26 16-20,22,24 14-10,12 10-6,7,8 6-3,4	4-3 Bus Drop
CG21	1-1/4"	.950	1.050	18-30 16-26 14-14,16 12-10 4-3	
CG22	1-1/4"	1.050	1.150	18-36,40 16-30,36 14-18,20 12-12,14 10-10 4-4	2-3 Bus Drop
CG23	1-1/4"	1.150	1.250	16-40 14-22 12-16,18 10-12,14 2-3	
CG24	1-1/4"	1.250	1.375	14-24,26,30 12-20 10-16 2-4	
CG25	1-1/2"	.950	1.050	18-30 16-26 14-14,16 12-10 4-3	
CG26	1-1/2"	1.050	1.150	18-36,40 16-30,36 14-18,20 12-12,14 10-10 4-4	2-3 Bus Drop
CG27	1-1/2"	1.150	1.250	16-40 14-22 12-16,18 10-12,14 2-3	
CG28	1-1/2"	1.250	1.375	12-24,26,30 12-20 10-16 2-4	

The SPECTRUM® System of High Quality Colored Cord Grips



Straights[†] Dimensional Table

Cat. #	Size	A Cable Ranges		B Max Cable Core Dia.	C Cross Corner Gland Nut O.D.	D Hex Body O.D.	E Overall Length*	F Exposed Length*
		Min.	Max.					
CG1	1/2"	.150	.250	.640	1.210	.975	1-5/16"	13/16"
CG2	1/2"	.250	.350	.640	1.210	.975	1-5/16"	13/16"
CG3	1/2"	.350	.450	.640	1.210	.975	1-5/16"	13/16"
CG4	1/2"	.450	.560	.640	1.210	.975	1-5/16"	13/16"
CG5	1/2"	.560	.650	.640	1.210	.975	1-5/16"	13/16"
CG6	3/4"	.150	.250	.687	1.210	1.220	1-5/16"	13/16"
CG7	3/4"	.250	.350	.687	1.210	1.220	1-5/16"	13/16"
CG8	3/4"	.350	.450	.687	1.210	1.220	1-5/16"	13/16"
CG9	3/4"	.450	.560	.687	1.210	1.220	1-5/16"	13/16"
CG10	3/4"	.560	.650	.687	1.210	1.220	1-5/16"	13/16"
CG11	3/4"	.650	.750	.845	1.440	1.220	1-9/16"	1-1/32"
CG12	3/4"	.750	.850	.845	1.440	1.220	1-9/16"	1-1/32"
CG13	1"	.450	.560	.937	1.440	1.500	1-3/4"	1-1/8"
CG14	1"	.560	.650	.937	1.440	1.500	1-3/4"	1-1/8"
CG15	1"	.650	.750	.937	1.440	1.500	1-3/4"	1-1/8"
CG16	1"	.750	.850	.937	1.440	1.500	1-3/4"	1-1/8"
CG17	1"	.850	.950	1.050	1.730	1.500	1-7/8"	1-3/16"
CG18	1"	.950	1.050	1.050	1.730	1.500	1-7/8"	1-3/16"
CG19	1-1/4"	.750	.850	1.187	1.730	1.900	1-15/16"	1-1/4"
CG20	1-1/4"	.850	.950	1.187	1.730	1.900	1-15/16"	1-1/4"
CG21	1-1/4"	.950	1.050	1.375	2.240	1.900	1-15/16"	1-1/4"
CG22	1-1/4"	1.050	1.150	1.375	2.240	1.900	1-15/16"	1-1/4"
CG23	1-1/4"	1.150	1.250	1.375	2.240	1.900	1-15/16"	1-1/4"
CG24	1-1/4"	1.250	1.375	1.375	2.240	1.900	1-15/16"	1-1/4"
CG25	1-1/2"	.950	1.050	1.375	2.240	2.280	2"	1-5/16"
CG26	1-1/2"	1.050	1.150	1.375	2.240	2.280	2"	1-5/16"
CG27	1-1/2"	1.150	1.250	1.375	2.240	2.280	2"	1-5/16"
CG28	1-1/2"	1.250	1.375	1.375	2.240	2.280	2"	1-5/16"

* Normal: may vary slightly depending on cable's diameter † Consult factory for 90° & 45° dimensions

Strain Relief Cord Connectors

- Industrial specification grade, screw machined steel, zinc plated
- Provides a UL liquid tight and strain relief termination for flexible type, neoprene, vinyl, or PVC control cord and cable
- Color-coded grommet to indicate cable diameter range

UL rated suitable for hazardous locations
Class I, Div. 2; Class II, Div. 1 and 2;
Class III, Div. 1 and 2; NEC 501-4(b), 505-4 (a), 503-3(a)



E96445



LR61799



Straight Connectors

Cat. #	Color	Size	Cable Ranges		Unit Ctn	Std Pkg	WT/100
			Min.	Max.			
CG50A250	Red	1/2"	.150	.250	25	250	12
CG50A350	White	1/2"	.250	.350	25	250	12
CG50A450	Blue	1/2"	.350	.460	25	250	12
CG50A560	Green	1/2"	.450	.560	25	250	12
CG50A650	Brown	1/2"	.560	.650	25	250	12
CG75A250	Red	3/4"	.150	.250	10	100	10
CG75A350	White	3/4"	.250	.350	10	100	10
CG75A450	Blue	3/4"	.350	.460	10	100	10
CG75A560	Green	3/4"	.450	.560	10	100	10
CG75A650	Brown	3/4"	.560	.650	10	100	10
CG75B750	Yellow	3/4"	.650	.750	10	100	10
CG75B850	Purple	3/4"	.750	.850	10	100	10
CG100B560	Green	1"	.450	.560	5	50	28
CG100B650	Brown	1"	.560	.650	5	50	28
CG100B750	Yellow	1"	.650	.750	5	50	28
CG100B850	Purple	1"	.750	.850	5	50	28
CG100C950	Grey	1"	.850	.950	5	50	28
CG100C1050	Black	1"	.950	1.050	5	50	28



Since 1946

Strain Relief Cord Connectors

- Industrial specification grade, screw machined steel, zinc plated
- Provides a UL liquid tight and strain relief termination for flexible type, neoprene, vinyl, or PVC control cord and cable
- Color-coded grommet to indicate cable diameter range

UL rated suitable for hazardous locations
 Class I, Div. 2; Class II, Div. 1 and 2;
 Class III, Div. 1 and 2; NEC 501-4(b), 505-4 (a), 503-3(a)



Straight Connectors

Cat. #	Color	Size	Cable Ranges		Unit Ctn	Std Pkg	WT/ 100
			Min.	Max.			
CG125C850	Purple	1-1/4"	.750	.850	5	25	48
CG125C950	Grey	1-1/4"	.850	.950	5	25	48
CG125D1050	Black	1-1/4"	.950	1.050	5	25	48
CG125D1150	Orange	1-1/4"	1.050	1.150	5	25	48
CG125D1250	Red	1-1/4"	1.150	1.250	5	25	48
CG125D1375	White	1-1/4"	1.250	1.375	5	25	48
CG150D1050	Black	1-1/2"	.950	1.050	2	20	90
CG150D1150	Orange	1-1/2"	1.050	1.150	2	20	90
CG150D1250	Red	1-1/2"	1.150	1.250	2	20	90
CG150D1375	White	1-1/2"	1.250	1.375	2	20	90
CG150E1500	Blue	1-1/2"	1.380	1.500	2	20	90
CG150E1630**	Green	1-1/2"	1.500	1.630	2	20	90
CG150E1750**	Brown	1-1/2"	1.630	1.750	2	20	90
CG150E1880**	Purple	1-1/2"	1.750	1.880	2	20	90
CG200F1380	Red	2"	1.250	1.380	2	20	105
CG200F1500	Blue	2"	1.380	1.500	2	20	105
CG200F1630	Green	2"	1.500	1.630	2	20	105
CG200F1750	Brown	2"	1.630	1.750	2	20	105
CG200F1810	Yellow	2"	1.690	1.810	2	20	105
CG200F1880	Purple	2"	1.750	1.880	2	20	105
CG200F1940	White	2"	1.810	1.940	2	20	105
CG200F2060	Orange	2"	1.940	2.060	2	20	105

** Cable jacket may have to be stripped to pass through connector body

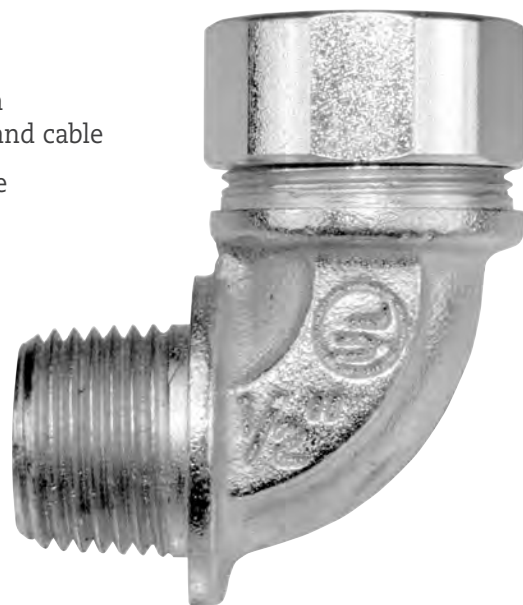


Since 1946

Strain Relief Cord Connectors

- Industrial specification grade steel, zinc plated
- Provides a UL liquid tight and strain relief termination for flexible type, neoprene, vinyl, or PVC control cord and cable
- Color-coded grommet to indicate cable diameter range

UL rated suitable for hazardous locations
Class I, Div. 2; Class II, Div. 1 and 2;
Class III, Div. 1 and 2; NEC 501-4(b), 505-4 (a), 503-3(a)



90° Angle Connectors†

Cat. #	Color	Size	Cable Ranges		Unit Ctn	Std Pkg	WT/ 100
			Min.	Max.			
CG50A25090	Red	1/2"	.150	.250	10	100	26
CG50A35090	White	1/2"	.250	.350	10	100	26
CG50A45090	Blue	1/2"	.350	.450	10	100	26
CG50A56090	Green	1/2"	.450	.560	10	100	26
CG50A65090	Brown	1/2"	.560	.650	10	100	26
CG75A25090	Red	3/4"	.150	.250	5	50	48
CG75A35090	White	3/4"	.250	.350	5	50	48
CG75A45090	Blue	3/4"	.350	.450	5	50	48
CG75A56090	Green	3/4"	.450	.560	5	50	48
CG75A65090	Brown	3/4"	.560	.650	5	50	48
CG75B75090	Yellow	3/4"	.650	.750	5	50	48
CG75B85090	Purple	3/4"	.750	.850	5	50	48
CG100B56090	Green	1"	.450	.560	5	25	68
CG100B65090	Brown	1"	.560	.650	5	25	68
CG100B75090	Yellow	1"	.650	.750	5	25	68
CG100B85090	Purple	1"	.750	.850	5	25	68
CG100C95090	Grey	1"	.850	.950	5	25	68
CG100C105090	Black	1"	.950	1.050	5	25	68

† Consult factory for 90° & 45° dimensions



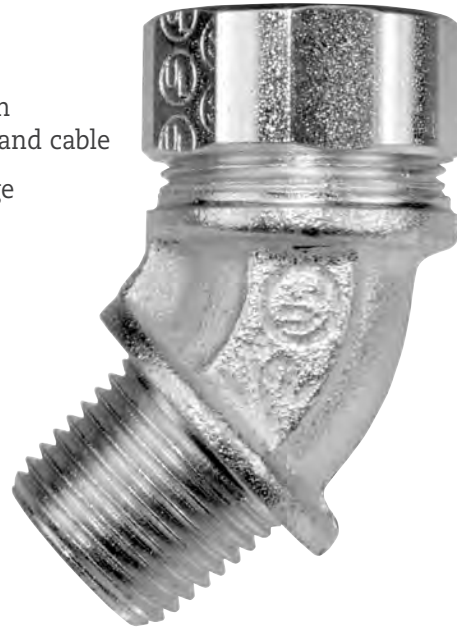
Since 1946

Material or article meets all guidelines and provisions of the Buy American Act and Buy American Improvement Act of 2005

Strain Relief Cord Connectors

- Industrial specification grade steel, zinc plated
- Provides a UL liquid tight and strain relief termination for flexible type, neoprene, vinyl, or PVC control cord and cable
- Color-coded grommet to indicate cable diameter range

UL rated suitable for hazardous locations
 Class I, Div. 2; Class II, Div. 1 and 2;
 Class III, Div. 1 and 2; NEC 501-4(b), 505-4 (a), 503-3(a)



45° Angle Connectors†

Cat. #	Color	Size	Cable Ranges		Unit Ctn	Std Pkg	WT/ 100
			Min.	Max.			
CG50A25045	Red	1/2"	.150	.250	10	100	26
CG50A35045	White	1/2"	.250	.350	10	100	26
CG50A45045	Blue	1/2"	.350	.450	10	100	26
CG50A56045	Green	1/2"	.450	.560	10	100	26
CG50A65045	Brown	1/2"	.560	.650	10	100	26
CG75A25045	Red	3/4"	.150	.250	5	50	48
CG75A35045	White	3/4"	.250	.350	5	50	48
CG75A45045	Blue	3/4"	.350	.450	5	50	48
CG75A56045	Green	3/4"	.450	.560	5	50	48
CG75A65045	Brown	3/4"	.560	.650	5	50	48
CG75B75045	Yellow	3/4"	.650	.750	5	50	48
CG75B85045	Purple	3/4"	.750	.850	5	50	48
CG100B56045	Green	1"	.450	.560	5	25	68
CG100B65045	Brown	1"	.560	.650	5	25	68
CG100B75045	Yellow	1"	.650	.750	5	25	68
CG100B85045	Purple	1"	.750	.850	5	25	68
CG100C95045	Grey	1"	.850	.950	5	25	68
CG100C105045	Black	1"	.950	1.050	5	25	68

† Consult factory for 90° & 45° dimensions



Since 1946

Selection Table for Cords

Cat. #	Size	Cable Ranges		For Types S, SO, ST & STO	For Types SJ, STO, SJT, SJTO, SVO, and Bus Drop
		Min.	Max.		
CG50A250	1/2"	.150	.250		18-2,3 SVO
CG50A350	1/2"	.250	.350		18-2,3 SJT, 18-2,3,4 SJO 16-2,3, SJO
CG50A450	1/2"	.350	.450	18-2,3,4 16-2,3,4	16-4 SJO 14-2,3,4 SJO 12-2 SJO 14-3 Bus Drop
CG50A560	1/2"	.450	.560	18-5,6,7 16-5,6 14-2,3	12-3 SJO 12-3 & 10-3 Bus Drop
CG50A650	1/2"	.560	.650	18-8,10 16-7,8 14-4 12-2,3 10-2	
CG75A250	3/4"	.150	.250		18-2,3 SVO
CG75A350	3/4"	.250	.350		18-2,3 SJT 18-2,3,4 SJO 16-2,3 SJO
CG75A450	3/4"	.350	.450	18-2,3,4 16-2,3,4	16-4 SJO 14-2,3,4 SJO 12-2 SJO 14-3 Bus Drop
CG75A560	3/4"	.450	.560	18-5,6,7 16-5,6 14-2,3	12-3 SJO 12-3 & 10-3 Bus Drop
CG75A650	3/4"	.560	.650	18-8,10 16-7,8 14-4 12-2,3 10-2	
CG75B750	3/4"	.650	.750	18-12,14 16-10,12 14-5,6,7 12-4,5 10-3,4 8-2	8-3 Bus Drop
CG75B850	3/4"	.750	.850	18-16,18,20 16-14,16,18 14-8 12-6,7,8 10-5 8-3,4 6-2	6-3 Bus Drop
CG100B560	1"	.450	.560	18-5,6,7 16-5,6 14-2,3	12-3 SJO 12-3 & 10-3 Bus Drop
CG100B650	1"	.560	.650	18-8,10 16-7,8 14-4 12-2,3 10-2	
CG100B750	1"	.650	.750	18-12,14 16-10,12 14-5,6,7 12-4,5 10-3,4 8-2	8-3 Bus Drop
CG100B850	1"	.750	.850	18-16,18,20 16-14,16,18 14-8 12-6,7,8 10-5 8-3,4 6-2	6-3 Bus Drop
CG100C950	1"	.850	.950	18-22,24,26 16-20,22,24 14-10,12 10-6,7,8 6-3,4	4-3 Bus Drop
CG100C1050	1"	.950	1.050	18-30 16-26 14-14,16 12-10 4-3	



Since 1946

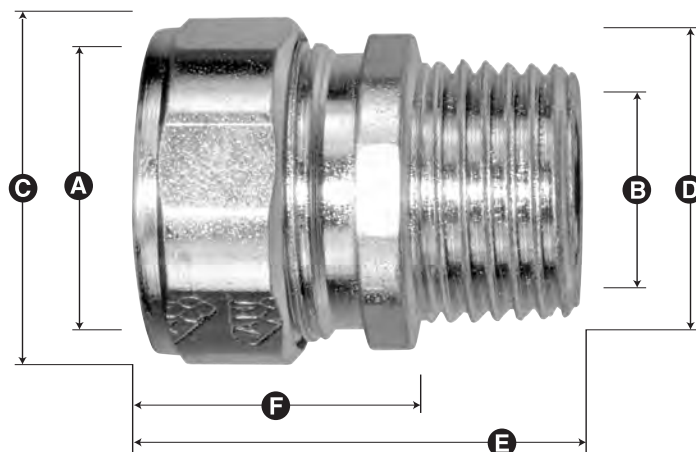
Selection Table for Cords

Cat. #	Size	Cable Ranges		For Types S, SO, ST & STO	For Types SJ, STO, SJT, SJTO, SVO, and Bus Drop
		Min.	Max.		
CG125C850	1-1/4"	.750	.850	18-16,18,20 16-14,16,18 14-8 12-6,7,8 10-5 8-3,4 6-2	6-3 Bus Drop
CG125C950	1-1/4"	.850	.950	18-22,24,26 16-20,22,24 14-10,12, 10-6,7,8 6-3,4	4-3 Bus Drop
CG125D1050	1-1/4"	.950	1.050	18-30 16-26 14-14,16 12-10 4-3	
CG125D1150	1-1/4"	1.050	1.150	18-36,40 16-30,36 14-18,20 12-12,14 10-10 4-4	2-3 Bus Drop
CG125D1250	1-1/4"	1.150	1.250	16-40 14-22 12-16,18 10-12,14 2-3	
CG125D1375	1-1/4"	1.250	1.375	14-24,26,30 12-20 10-16 2-4	
CG150D1050	1-1/2"	.950	1.050	18-30 16-26 14-14,16 12-10 4-3	
CG150D1150	1-1/2"	1.050	1.150	18-36,40 16-30,36 14-18,20 12-12,14 10-10 4-4	2-3 Bus Drop
CG150D1250	1-1/2"	1.150	1.250	16-40 14-22 12-16,18 10-12,14 2-3	
CG150D1375	1-1/2"	1.250	1.375	12-24,26,30 12-20 10-16 2-4	
CG150E1500	1-1/2"	1.380	1.500	3-4, 2-4, 1-2	
CG150E1630	1-1/2"	1.500	1.630	1/0-2, 1-3	
CG150E1750	1-1/2"	1.630	1.750	2/0-2,3 1/0-3 1-4	
CG150E1880	1-1/2"	1.750	1.880	4/0-2 3/0-2,3 2/0-3 1/0-4	
CG200F1380	2"	1.250	1.380	4-4, 3-4, 2-3,2	
CG200F1500	2"	1.380	1.500	3-4, 2-4, 1-2	
CG200F1630	2"	1.500	1.630	1/0-2 1-3	
CG200F1750	2"	1.630	1.750	2/0-2,3 1/0-3 1-4	
CG200F1810	2"	1.690	1.810	3/0-2,3 2/0-3 1-4 1/0-4	
CG200F1880	2"	1.750	1.880	4/0-2, 3/0-2,3 2/0-3 1/0-4	
CG200F1940	2"	1.810	1.940	4/0-2 2/0-4	
CG200F2060	2"	1.940	2.060		



Since 1946

Strain Relief Cord Connectors



Straights[†] Dimensional Table

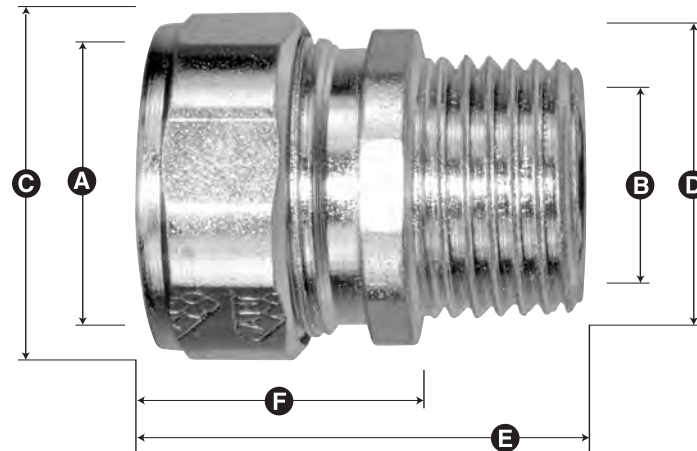
Cat. #	Size	A Cable Ranges Min. Max.	B Max Cable Core Dia.	C Cross Corner Gland Nut O.D.	D Hex Body O.D.	E Overall Length*	F Exposed Length*
CG50A250	1/2"	.150 .250	.640	1.070	.975	1-5/16"	13/16"
CG50A350	1/2"	.250 .350	.640	1.070	.975	1-5/16"	13/16"
CG50A450	1/2"	.350 .450	.640	1.070	.975	1-5/16"	13/16"
CG50A560	1/2"	.450 .560	.640	1.070	.975	1-5/16"	13/16"
CG50A650	1/2"	.560 .650	.640	1.070	.975	1-5/16"	13/16"
CG75A250	3/4"	.150 .250	.687	1.070	1.220	1-5/16"	13/16"
CG75A350	3/4"	.250 .350	.687	1.070	1.220	1-5/16"	13/16"
CG75A450	3/4"	.350 .450	.687	1.070	1.220	1-5/16"	13/16"
CG75A560	3/4"	.450 .560	.687	1.070	1.220	1-5/16"	13/16"
CG75A650	3/4"	.560 .650	.687	1.070	1.220	1-5/16"	13/16"
CG75B750	3/4"	.650 .750	.845	1.330	1.220	1-9/16"	1-1/32"
CG75B850	3/4"	.750 .850	.845	1.330	1.220	1-9/16"	1-1/32"
CG100B560	1"	.450 .560	.937	1.330	1.500	1-3/4"	1-1/8"
CG100B650	1"	.560 .650	.937	1.330	1.500	1-3/4"	1-1/8"
CG100B750	1"	.650 .750	.937	1.330	1.500	1-3/4"	1-1/8"
CG100B850	1"	.750 .850	.937	1.330	1.500	1-3/4"	1-1/8"
CG100C950	1"	.850 .950	1.050	1.625	1.500	1-7/8"	1-3/16"
CG100C1050	1"	.950 1.050	1.050	1.625	1.500	1-7/8"	1-3/16"

* Normal: may vary slightly depending on cable's diameter †Consult factory for 90° & 45° dimensions



Since 1946

Strain Relief Cord Connectors



Straights[†] Dimensional Table

Cat. #	Size	A Cable Ranges		B Max Cable Core Dia.	C Cross Corner Gland Nut O.D.	D Hex Body O.D.	E Overall Length*	F Exposed Length*
		Min.	Max.					
CG125C850	1-1/4"	.750	.850	1.187	1.625	1.900	1-15/16"	1-1/4"
CG125C950	1-1/4"	.850	.950	1.187	1.625	1.900	1-15/16"	1-1/4"
CG125D1050	1-1/4"	.950	1.050	1.375	2.032	1.900	1-15/16"	1-1/4"
CG125D1150	1-1/4"	1.050	1.150	1.375	2.032	1.900	1-15/16"	1-1/4"
CG125D1250	1-1/4"	1.150	1.250	1.375	2.032	1.900	1-15/16"	1-1/4"
CG125D1375	1-1/4"	1.250	1.375	1.375	2.032	1.900	1-15/16"	1-1/4"
CG150D1050	1-1/2"	.950	1.050	1.375	2.032	2.280	2"	1-5/16"
CG150D1150	1-1/2"	1.050	1.150	1.375	2.032	2.280	2"	1-5/16"
CG150D1250	1-1/2"	1.150	1.250	1.375	2.032	2.280	2"	1-5/16"
CG150D1375	1-1/2"	1.250	1.375	1.375	2.032	2.280	2"	1-5/16"
CG150E1500	1-1/2"	1.380	1.500	1.625	2.375	2.188	2-1/8"	1-3/8"
CG150E1630	1-1/2"	1.500	1.630	1.625	2.375	2.188	2-1/8"	1-3/8"
CG150E1700	1-1/2"	1.630	1.750	1.625	2.375	2.188	2-1/8"	1-3/8"
CG150E1880	1-1/2"	1.750	1.880	1.625	2.375	2.188	2-1/8"	1-3/8"
CG200F1380	2"	1.250	1.380	2.060	2.875	2.656	2-1/4"	1-5/8"
CG200F1500	2"	1.380	1.500	2.060	2.875	2.656	2-1/4"	1-5/8"
CG200F1630	2"	1.500	1.630	2.060	2.875	2.656	2-1/4"	1-5/8"
CG200F1750	2"	1.630	1.750	2.060	2.875	2.656	2-1/4"	1-5/8"
CG200F1810	2"	1.690	1.810	2.060	2.875	2.656	2-1/4"	1-5/8"
CG200F1880	2"	1.750	1.880	2.060	2.875	2.656	2-1/4"	1-5/8"
CG200F1940	2"	1.810	1.940	2.060	2.875	2.656	2-1/4"	1-5/8"
CG200F2060	2"	1.940	2.060	2.060	2.875	2.656	2-1/4"	1-5/8"

* Normal: may vary slightly depending on cable's diameter † Consult factory for 90° & 45° dimensions

Non-Metallic Strain Relief Cord Connectors

Size Range 1/2" to 1"

- Utilized with portable cord to provide strain relief termination
- For use in wet or dry locations
- Oil, water, dust, resistant NEMA 4X IP68
- Stands up to most industrial corrosive environments
- Extended cord range to reduce inventory
- Tightening on nut creates a watertight seal
- Neoprene bushings cover a large cable range, reducing the number of different sized fittings required

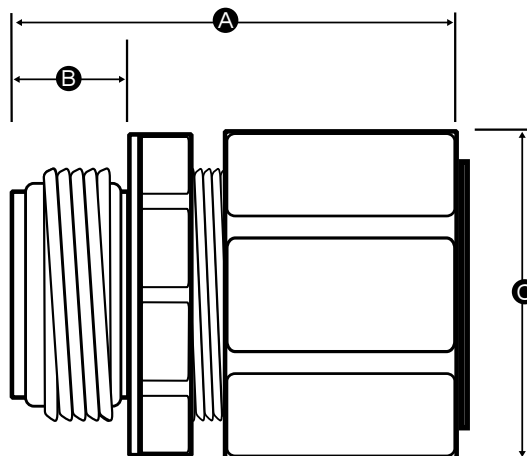
Material: Type 6/6 Nylon
 Sealing Grommet: Neoprene
 Temperature Range: -30° to 105°C Short Term: 150°C
 Flame Resistance: UL 94vo, incandescent Wire
 Color: Industrial Grey

UL Standard 514B • cUL to CSA Standard C22.2 No.18
 Environmental Rating: IP68 • NEMA 4X Watertight



Cat. #	Size	Unit Qty	Std. Pkg.	Wt./per 100
NMCG50	1/2"	25	125	3
NMCG75	3/4"	10	100	6
NMCG100	1"	10	100	9

Cat. #	Size	Cable Ranges Min. - Max.	Cable Ranges		
			A	B	C
NMCG50	1/2"	.236 - .472	1.968"	.590"	.945"
NMCG75	3/4"	.472 - .709	2.007"	.590"	1.299"
NMCG100	1"	.669 - .984	2.401"	.748"	1.653"



SPECTRUM® Neoprene Bushings

- Replacement grommets for steel and aluminum Strain Relief Connectors
- Color-Coded



Cat. #	Color	Cable Ranges		Size	Std / Pkg	WT / 100
		Min.	Max.			
CG1G	Red	.150	.250	1/2"	25	2
CG2G	White	.250	.350	1/2"	25	2
CG3G	Blue	.350	.450	1/2"	25	2
CG4G	Green	.450	.560	1/2"	25	2
CG5G	Brown	.560	.650	1/2"	25	2
CG6G	Red	.150	.250	3/4"	25	2
CG7G	White	.250	.350	3/4"	25	2
CG8G	Blue	.350	.450	3/4"	25	2
CG9G	Green	.450	.560	3/4"	25	2
CG10G	Brown	.560	.650	3/4"	25	2
CG11G	Yellow	.650	.750	3/4"	25	2
CG12G	Purple	.750	.850	3/4"	25	2
CG13G	Green	.450	.560	1"	25	4
CG14G	Brown	.560	.650	1"	25	4
CG15G	Yellow	.650	.750	1"	25	4
CG16G	Purple	.750	.850	1"	25	4
CG17G	Grey	.850	.950	1"	25	4
CG18G	Black	.950	1.050	1"	25	4
CG19G	Purple	.750	.850	1-1/4"	10	10
CG20G	Grey	.850	.950	1-1/4"	10	10
CG21G	Black	.950	1.050	1-1/4"	10	10
CG22G	Orange	1.050	1.150	1-1/4"	10	10
CG23G	Red	1.150	1.250	1-1/4"	10	10
CG24G	White	1.250	1.375	1-1/4"	10	10
CG25G	Black	.950	1.050	1-1/2"	10	10
CG26G	Orange	1.050	1.150	1-1/2"	10	10
CG27G	Red	1.150	1.250	1-1/2"	10	10
CG28G	White	1.250	1.375	1-1/2"	10	10
CG29G	Blue	1.380	1.500	1-1/2"	10	12
CG30G	Green	1.500	1.630	1-1/2"	10	12
CG31G	Brown	1.630	1.750	1-1/2"	10	12
CG32G	Purple	1.750	1.880	1-1/2"	10	12
CG33G	Red	1.250	1.380	2"	10	12
CG34G	Blue	1.380	1.500	2"	10	12
CG35G	Green	1.500	1.630	2"	10	12
CG36G	Brown	1.630	1.750	2"	10	12
CG37G	Yellow	1.690	1.810	2"	10	12
CG38G	Purple	1.750	1.880	2"	10	12
CG39G	White	1.810	1.940	2"	10	12
CG40G	Orange	1.940	2.060	2"	10	12

Cord Grip Connectors with Multiple Hole Bushings

- Industrial specification grade, screw machined steel, zinc plated
- Provides a UL liquid tight and strain relief termination for flexible type, neoprene, vinyl, or PVC control cord and cable
- Neoprene black bushings — UV stabilized



Cat. #	Size	Cable Ranges		Unit Ctn	Std Pkg	WT/100
		Min.	Max.			
CG50A2222H *	1/2"	.150	.222	25	250	12
CG50A2223H **	1/2"	.150	.222	25	250	12
CG75A2222H *	3/4"	.150	.222	10	100	10
CG75A2223H **	3/4"	.150	.222	10	100	10

* Two-Hole Style

** Three-Hole Style

Additional or Custom Multiple Hole Bushings are Available Upon Request